



US00D949797S

(12) **United States Design Patent**
Stamm et al.

(10) **Patent No.:** **US D949,797 S**

(45) **Date of Patent:** **** Apr. 26, 2022**

(54) **CONNECTOR FOR ELECTRIC VEHICLE**

(56) **References Cited**

(71) Applicant: **PHOENIX CONTACT E-Mobility GmbH, Schieder-Schwalenberg (DE)**

U.S. PATENT DOCUMENTS

(72) Inventors: **Simon Stamm, Brakel (DE); Katja Zarges, Lage (DE)**

D667,379	S	*	9/2012	Fukushima	D13/146
D669,033	S	*	10/2012	Senk	D13/146
D702,641	S	*	4/2014	Ichio	D13/146
D707,179	S	*	6/2014	Smith	D13/146
D768,082	S	*	10/2016	Chuang	D13/146
D795,193	S	*	8/2017	Huang	D13/133
D797,052	S	*	9/2017	Moseke	D13/146
D806,038	S	*	12/2017	Zhang	D13/147
D837,741	S	*	1/2019	Corona	D13/151
2014/0106586	A1	*	4/2014	Boeck	H01R 13/70 439/188
2017/0036556	A1	*	2/2017	Tomiyama	B60L 53/16

(73) Assignee: **PHOENIX CONTACT E-MOBILITY GMBH, Schieder-Schwalenberg (DE)**

(**) Term: **15 Years**

(21) Appl. No.: **29/727,783**

(22) Filed: **Mar. 13, 2020**

(30) **Foreign Application Priority Data**

Sep. 18, 2019 (EM) 06883013

(51) **LOC (13) Cl.** **13-03**

(52) **U.S. Cl.**
USPC **D13/146**

(58) **Field of Classification Search**
USPC D13/101, 103, 107, 108, 110, 118, 119,
D13/120, 133, 137.1, 138.1, 138.2, 146,
D13/147, 151, 184, 199
CPC H01R 13/52; H01R 13/56; H01R 13/405;
H01R 13/5202; H01R 13/5227; H01R
13/6272; H02J 7/00; H02J 7/0045; H02J
7/0052; Y02T 90/14; Y02T 10/7072;
B60L 11/182; B60L 11/1818

See application file for complete search history.

* cited by examiner

Primary Examiner — Derrick E Holland

(74) *Attorney, Agent, or Firm* — Leydig, Voit & Mayer, Ltd.

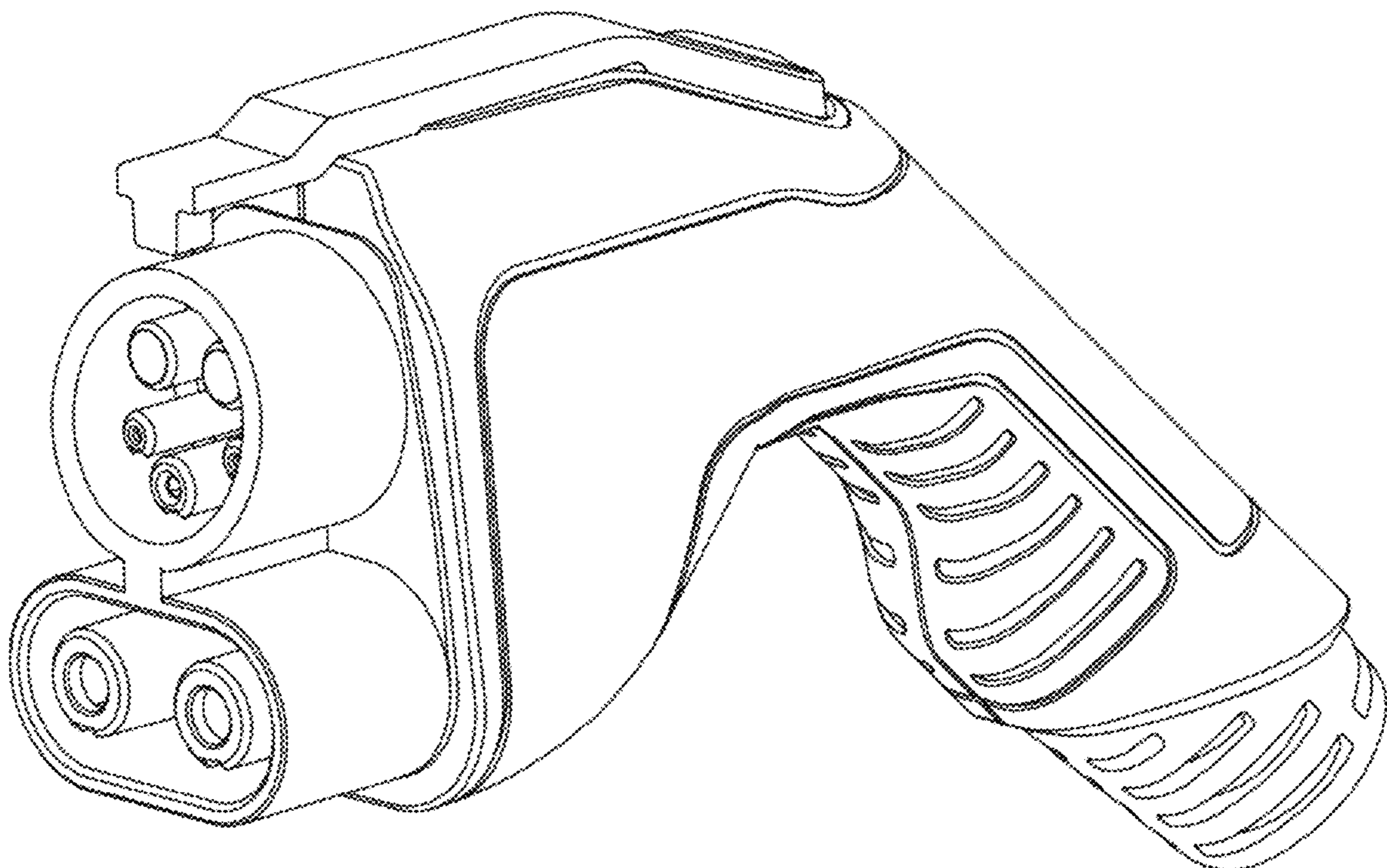
(57) **CLAIM**

The ornamental design for a connector for electric vehicle, as shown and described.

DESCRIPTION

FIG. 1 is a perspective view of a connector for electric vehicle according to our new design; FIG. 2 is a bottom view thereof; FIG. 3 is a left view thereof; FIG. 4 is a front view thereof; FIG. 5 is a right view thereof; FIG. 6 is a rear view thereof; and, FIG. 7 is a top view thereof.

1 Claim, 7 Drawing Sheets



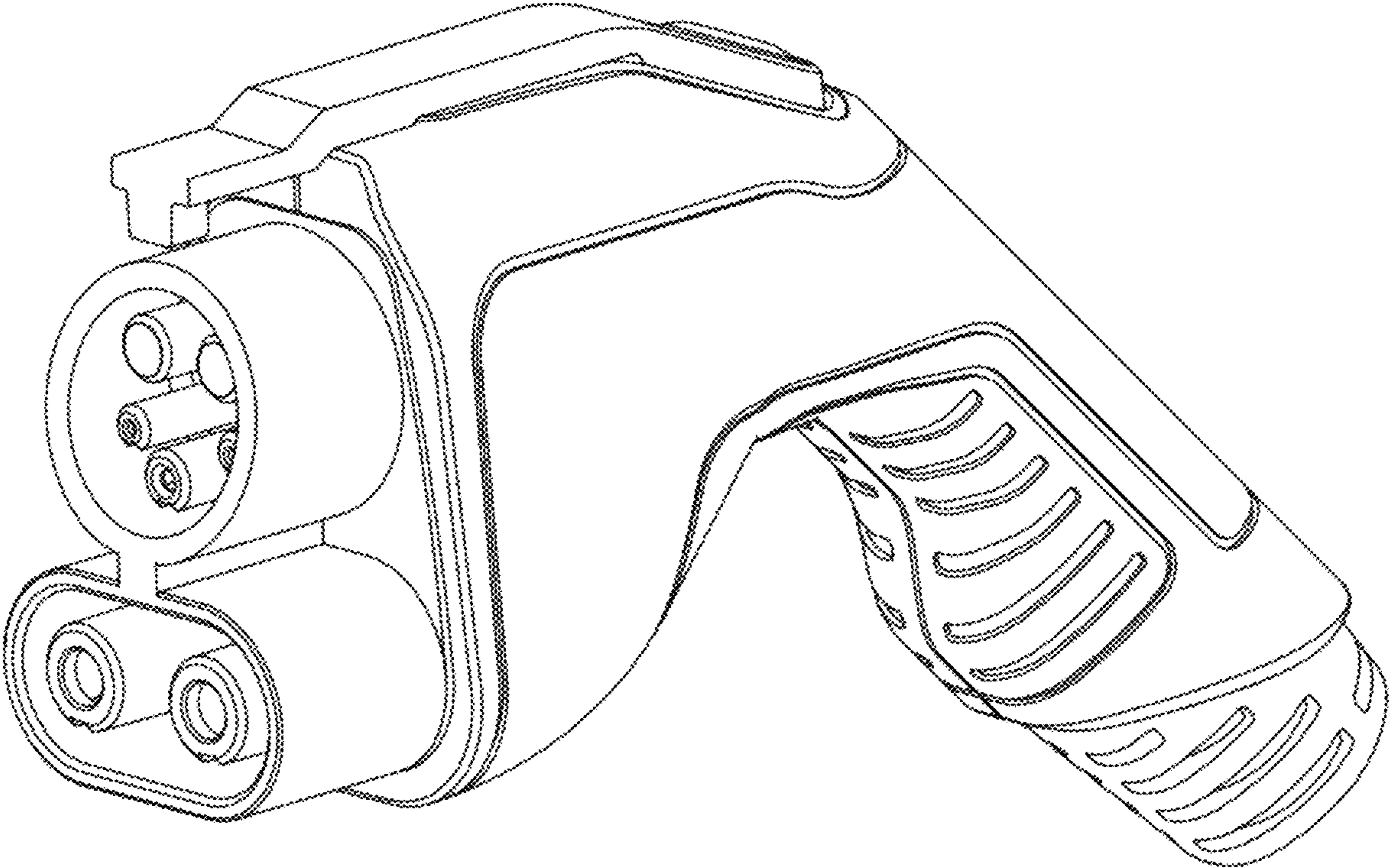


FIG. 1

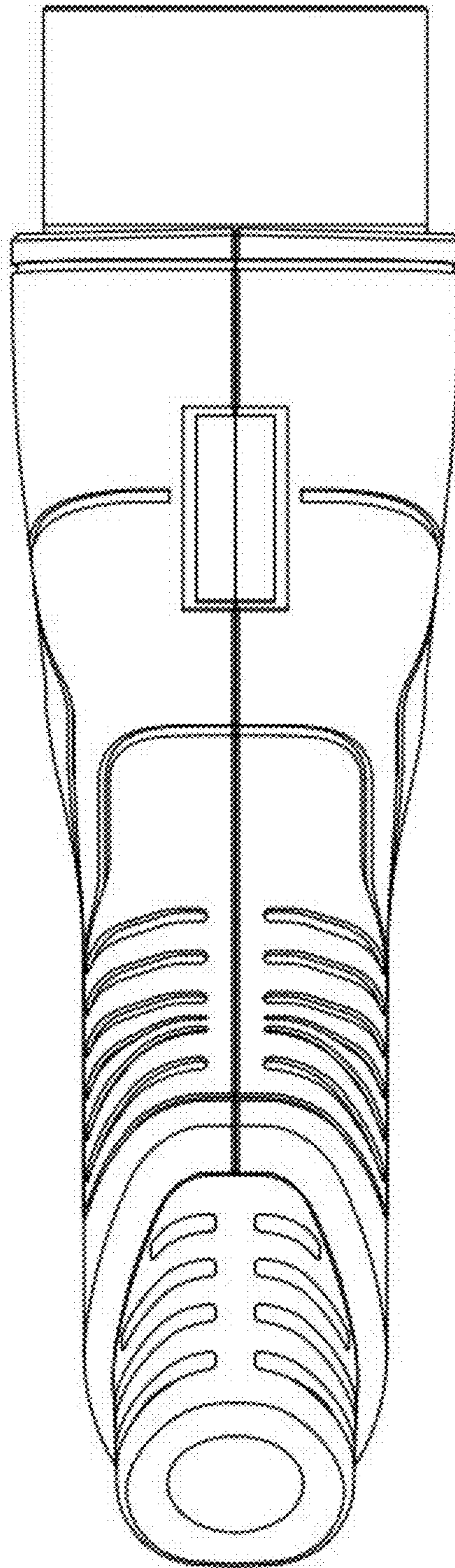


FIG. 2

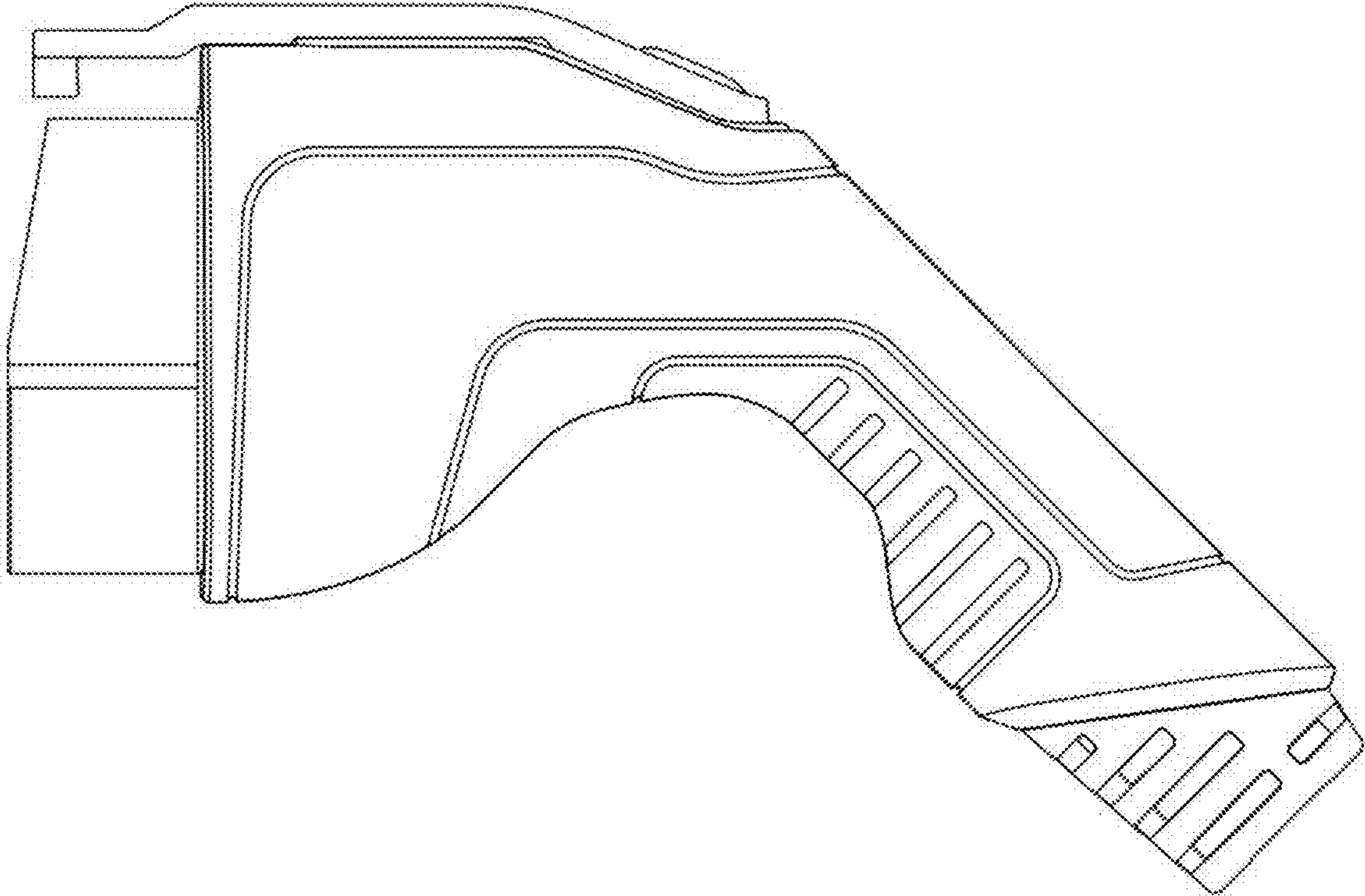


FIG. 3

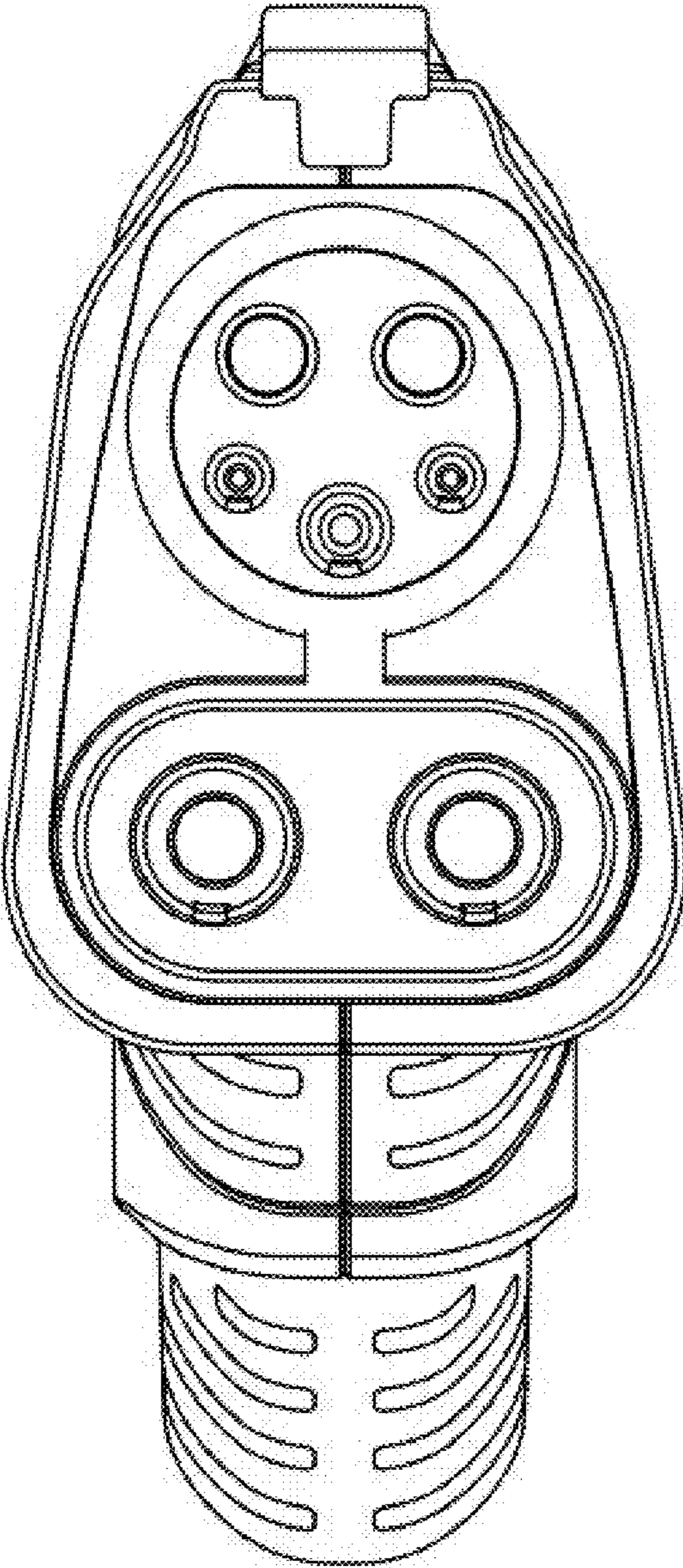


FIG. 4

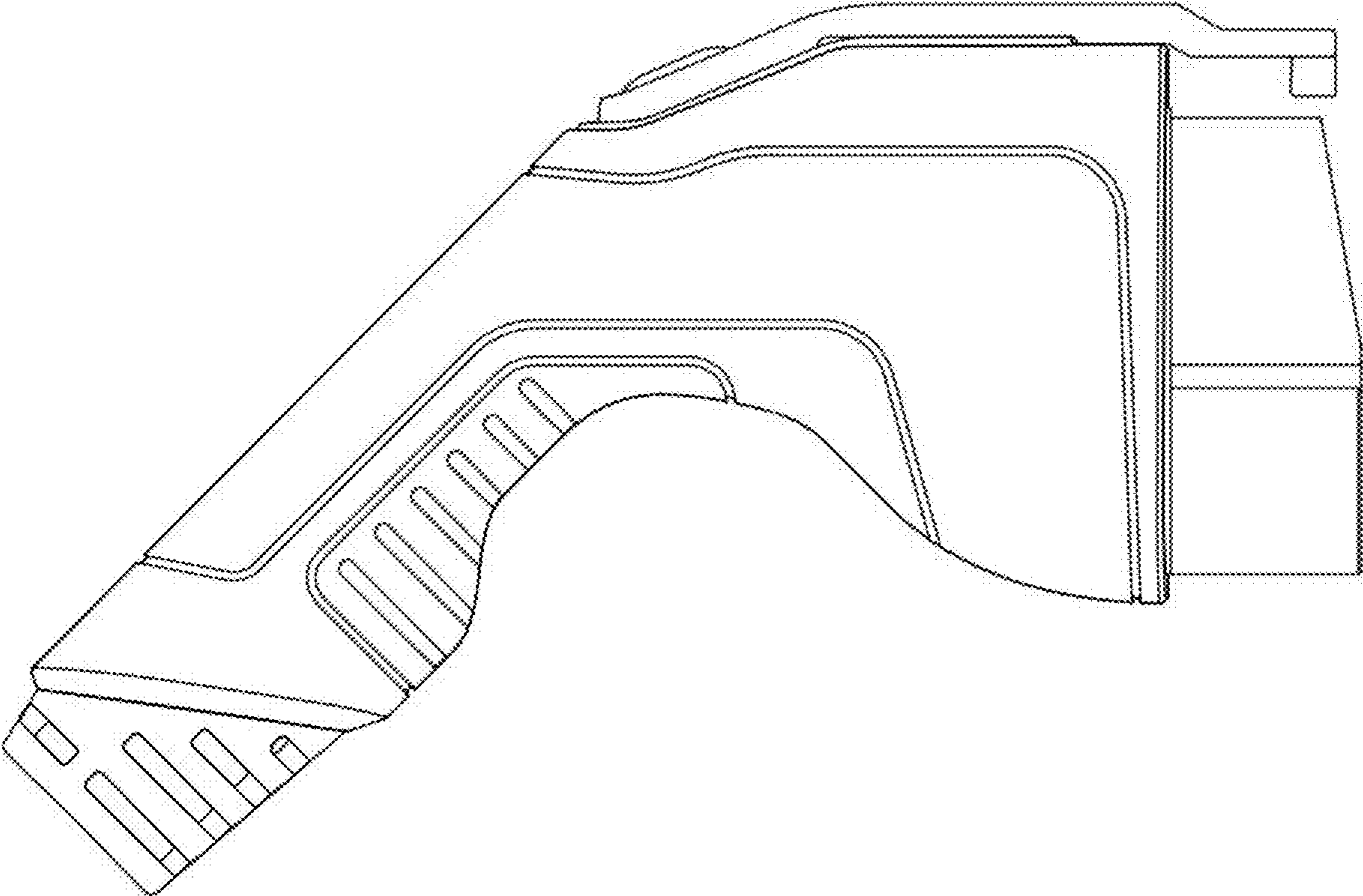


FIG. 5

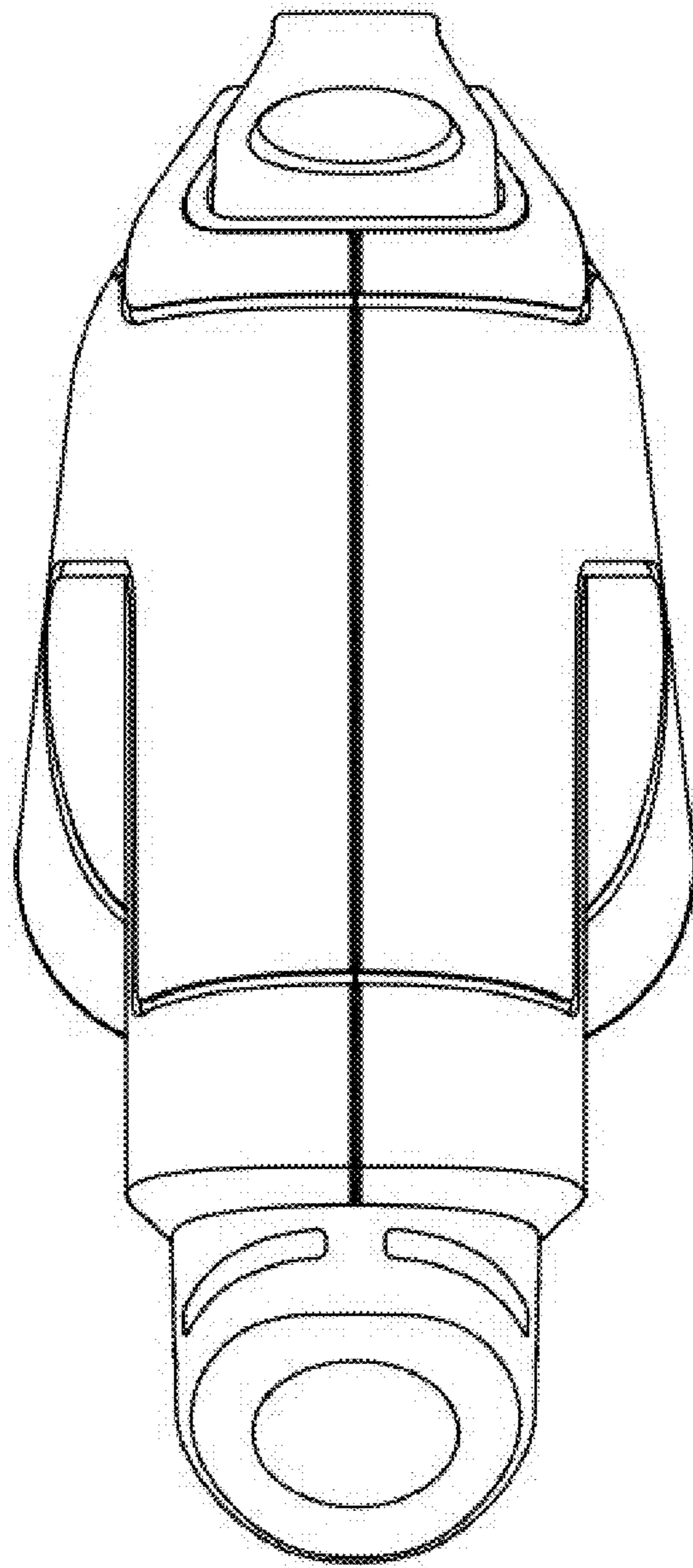


FIG. 6

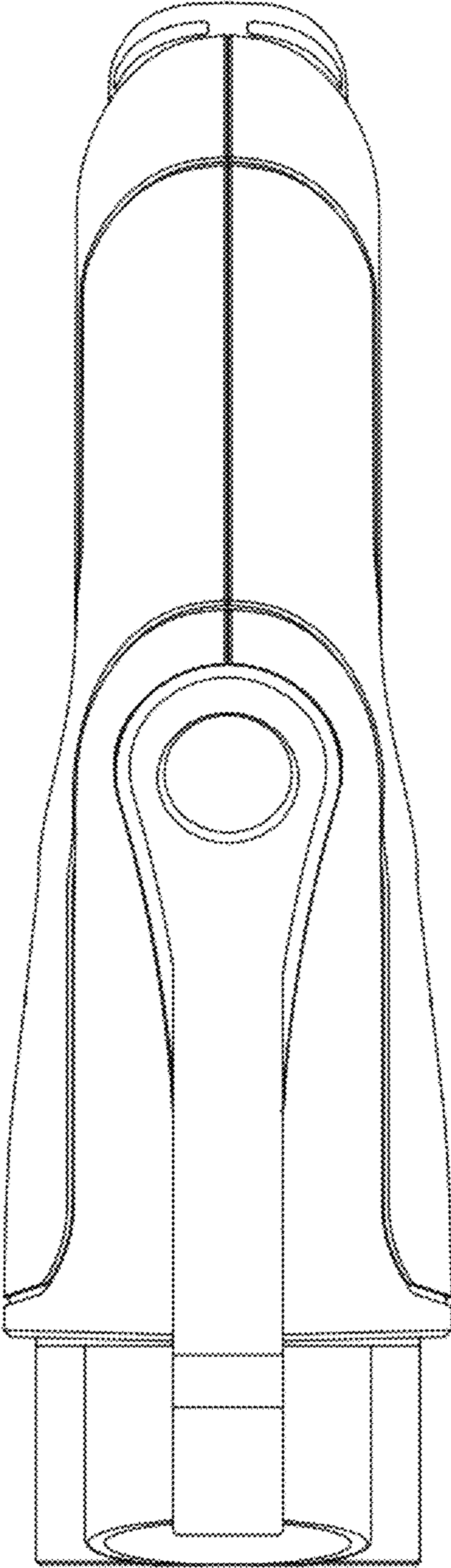


FIG. 7