



US00D949796S

(12) **United States Design Patent**
Liu

(10) **Patent No.:** **US D949,796 S**
(45) **Date of Patent:** **** Apr. 26, 2022**

(54) **TRAVEL ADAPTER**
(71) Applicant: **SHENZHEN OULI TECHNOLOGY CO., LTD.**, Shenzhen (CN)
(72) Inventor: **Song Liu**, Shenzhen (CN)
(73) Assignee: **SHENZHEN OULI TECHNOLOGY CO., LTD.**, Shenzhen (CN)

(**) Term: **15 Years**
(21) Appl. No.: **29/728,742**
(22) Filed: **Mar. 20, 2020**
(51) **LOC (13) Cl.** **13-03**
(52) **U.S. Cl.**
USPC **D13/137.2**

(58) **Field of Classification Search**
USPC D13/137.1, 137.2, 137.3, 137.4, 138.1, D13/138.2, 139.1, 139.2, 139.7, 139.8, D13/184, 103, 107, 199, 108, 110, 119, D13/123, 133, 139.3, 139.5, 139.6, 152, D13/145, 153, 154, 156, 158, 160, 162, D13/177; D14/433, 434
CPC H01R 13/00; H01R 13/04; H01R 13/10; H01R 13/665; H01R 13/6666; H01R 13/6676; H01R 13/7135; H01R 25/00; H01R 25/006; H01R 9/00; H01R 11/00; H02H 3/33; H02H 3/162; H01H 2207/00; H01H 2207/022; H01H 2203/00; H05K 5/00; H05K 5/03
See application file for complete search history.

(56) **References Cited**

U.S. PATENT DOCUMENTS

D838,245 S * 1/2019 Lin D13/137.2
D841,653 S * 2/2019 Lin D14/433
D841,654 S * 2/2019 Lin D14/433
D848,947 S * 5/2019 Liu D13/137.2
D855,571 S * 8/2019 Zeng D13/137.2

D856,933 S * 8/2019 Lin D13/137.2
D858,446 S * 9/2019 Liu D13/137.2
D863,223 S * 10/2019 Zeng D13/137.2
10,673,192 B1 * 6/2020 Liu H01R 27/00
D892,055 S * 8/2020 Wang H01R 27/00
D13/137.2

(Continued)

FOREIGN PATENT DOCUMENTS

CN 306052638 * 9/2020

OTHER PUBLICATIONS

“2019 New upgrade 18W PD quick charge universal travel adapter”, first accessed Oct. 27, 2021. GlobalSources.com [https://www.globalsources.com/USB-power/Universal-Travel-adaptor-1170138081p.htm#1170138081] (Year: 2021).*

(Continued)

Primary Examiner — Rosemary K Tarcza
Assistant Examiner — Seth David Kumpf
(74) *Attorney, Agent, or Firm* — Hauptman Ham, LLP

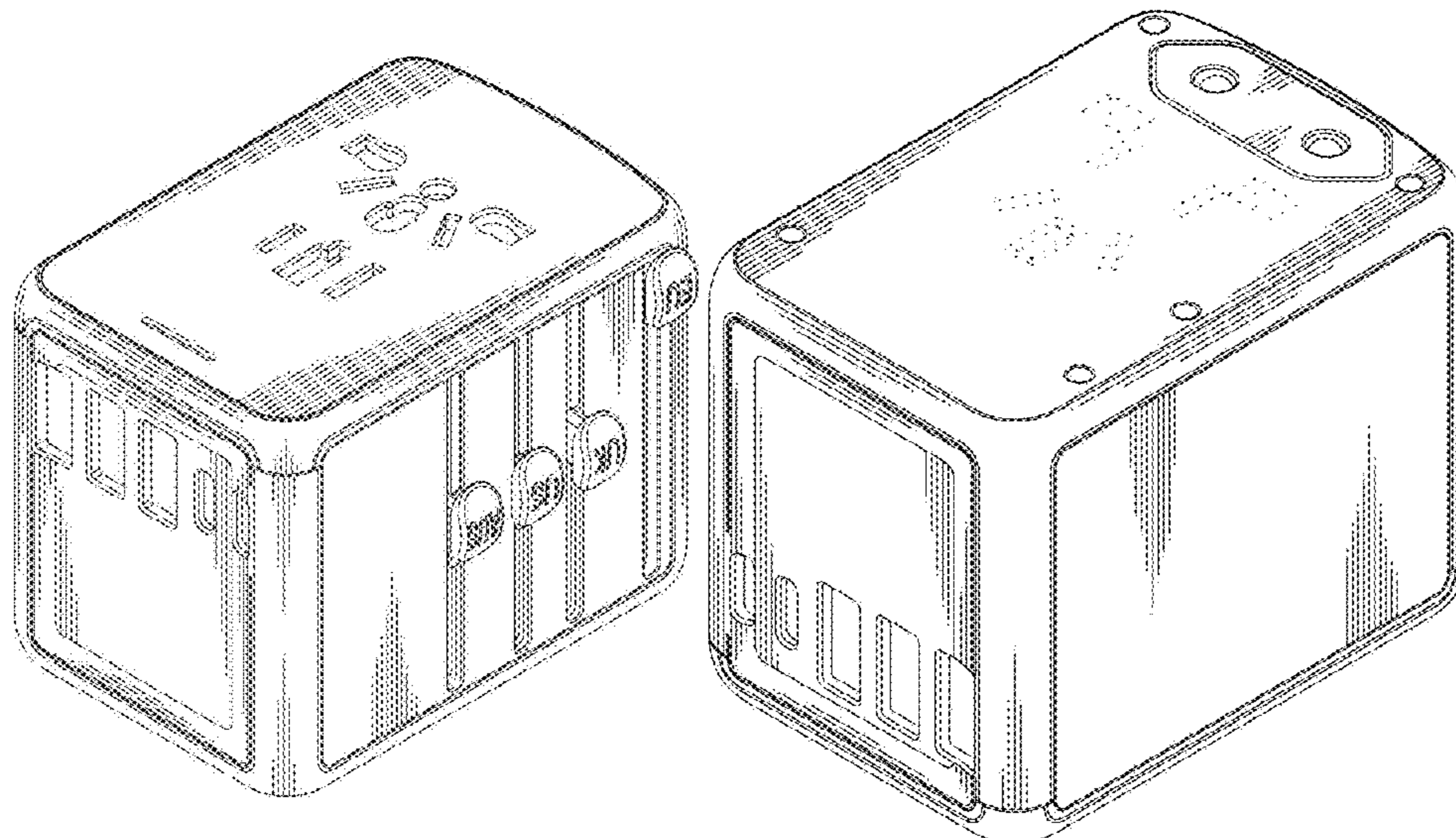
(57) **CLAIM**

The ornamental design for a travel adapter, as shown and described.

DESCRIPTION

FIG. 1 is a front view of a travel adapter showing the new design;
FIG. 2 is a rear view thereof;
FIG. 3 is a left side view thereof;
FIG. 4 is a right side view thereof;
FIG. 5 is a top plan view thereof;
FIG. 6 is a bottom plan view thereof;
FIG. 7 is a front-bottom-right perspective view thereof; and,
FIG. 8 is a rear-bottom-left perspective view thereof.
The broken lines in the drawings depict portions of the travel adapter that form no part of the claimed design.

1 Claim, 8 Drawing Sheets



(56)

References Cited

U.S. PATENT DOCUMENTS

D900,747 S * 11/2020 Huang H01R 31/06
D13/137.2
2018/0337501 A1* 11/2018 Cai H01R 31/06
2019/0341731 A1* 11/2019 Barnett H01R 31/06

OTHER PUBLICATIONS

“Travel Adapter, AKAMATE International Universal Power Wall Charger with 4 USB, 1 USB C, Smart IC, All in One Adapter for Europe, UK, US, AU, Asia and More”, first available Sep. 17, 2019. Amazon.com [<https://www.amazon.com/Adapter-AKAMATE-International-Universal-Charger/dp/B07XZCTS39>] (Year: 2019).*

“LENCENT Universal Travel Adapter, International Charger with 4 USB Ports and Type-C PD Fast Charging Adaptor for iPhone, Samsung, Tablet, Gopro. for Over 200 Countries Type A/C/G/ I (USA, UK, EU AUS)”, first available Sep. 17, 2020. Amazon.com [<https://www.amazon.com/Webcam-Microphone-1082P-Streaming-Computer/dp/B07W4GJLGY>]. (Year: 2020).*

* cited by examiner

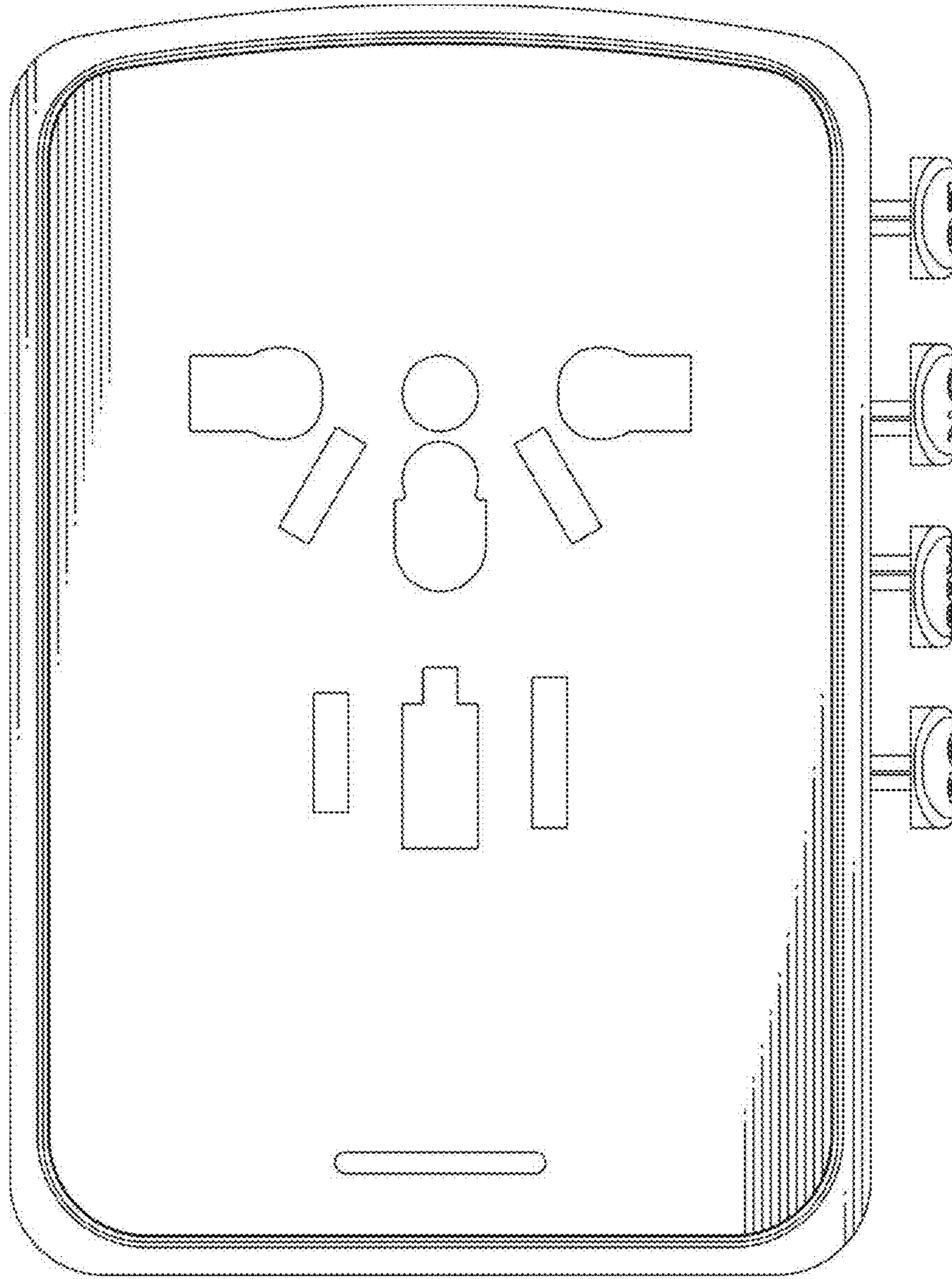


Fig. 1

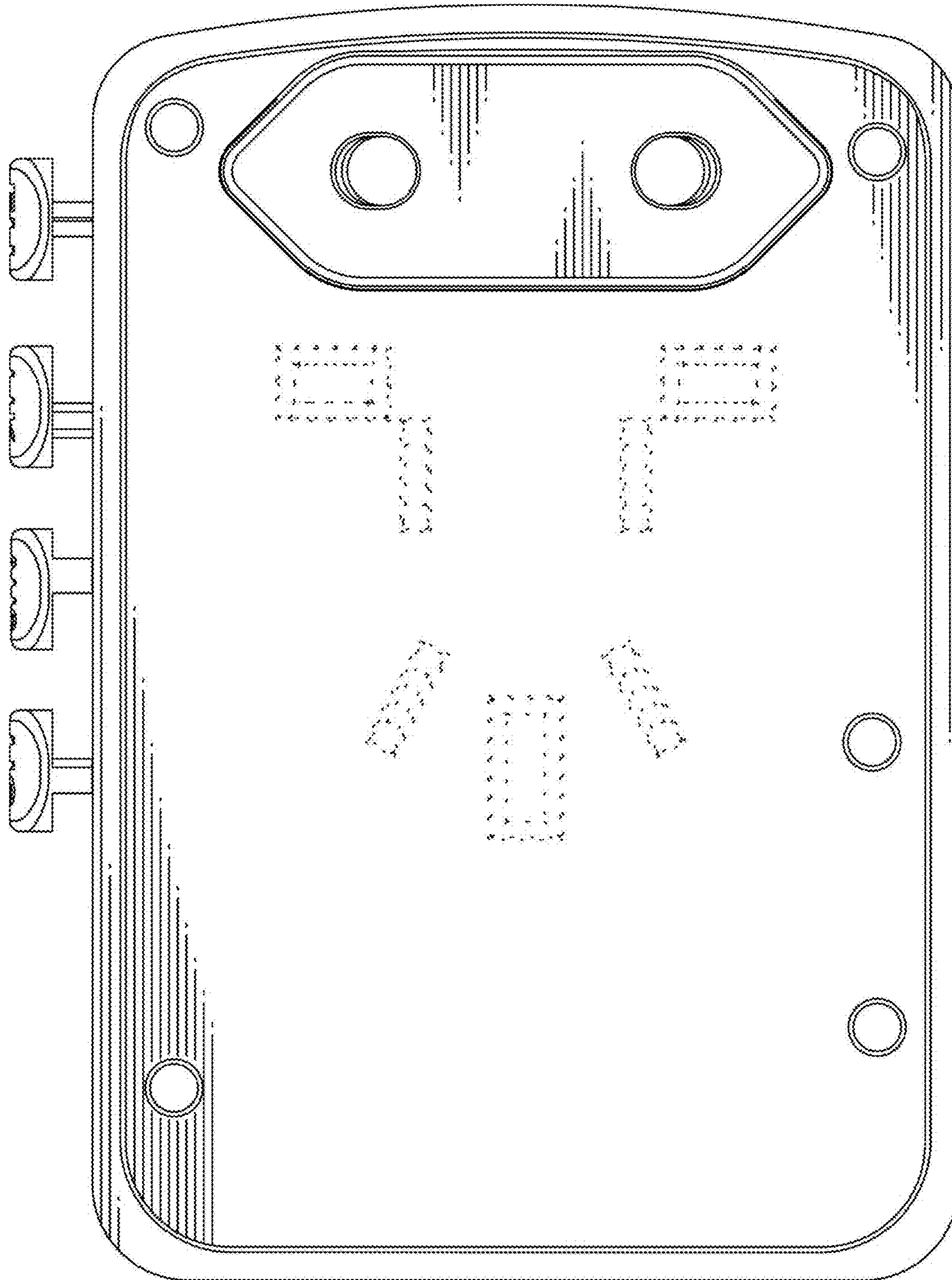


FIG. 2

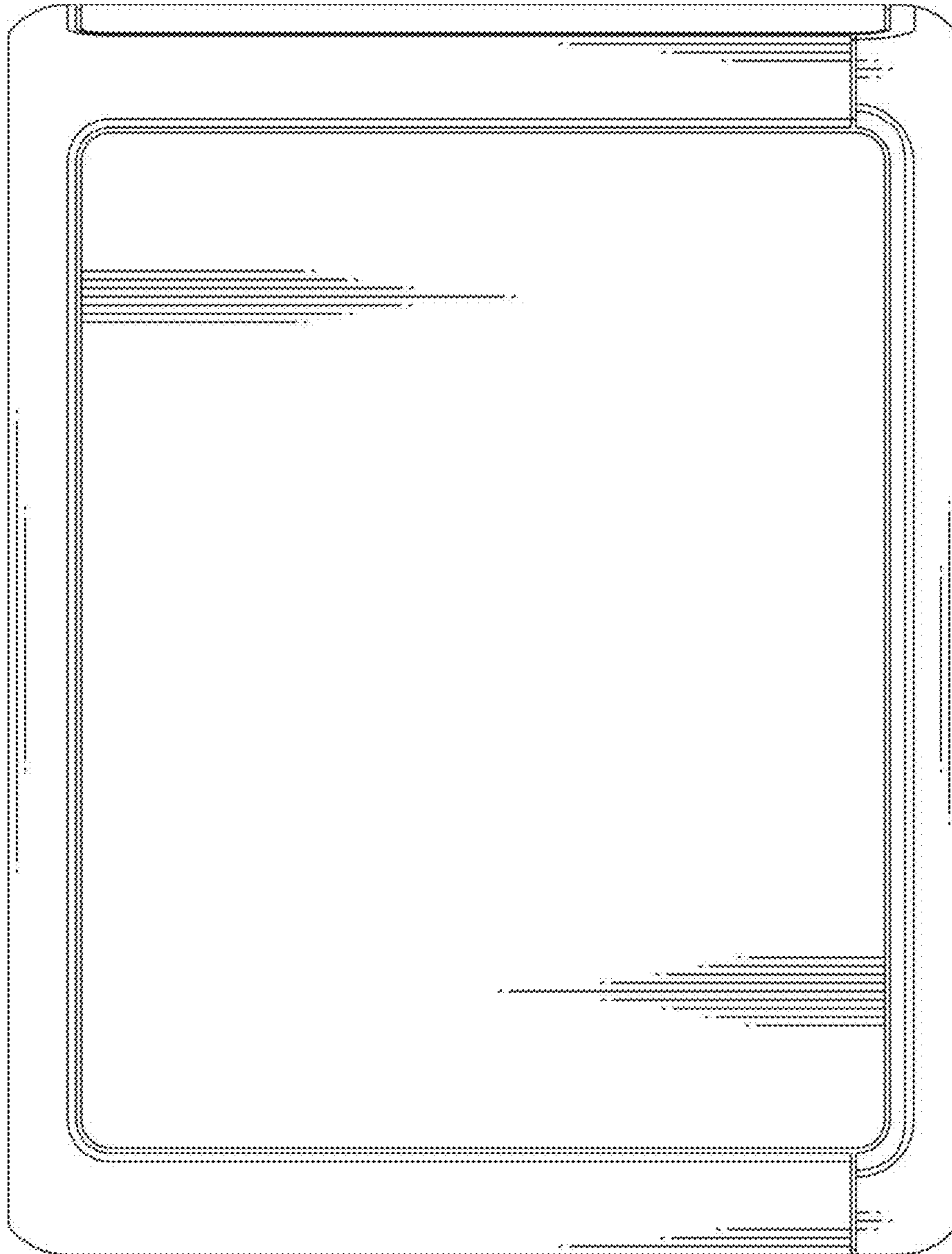


Fig. 3

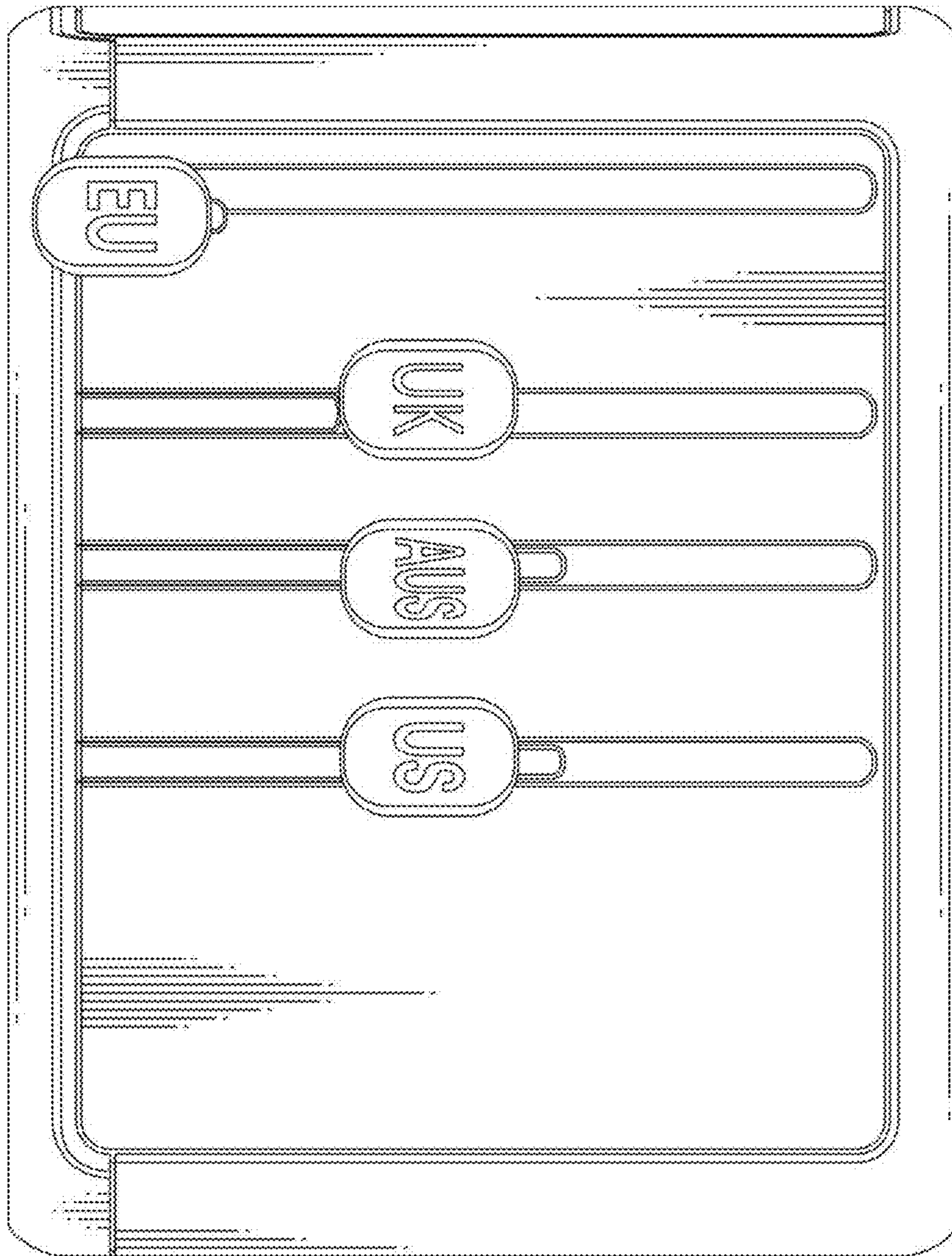


Fig. 4

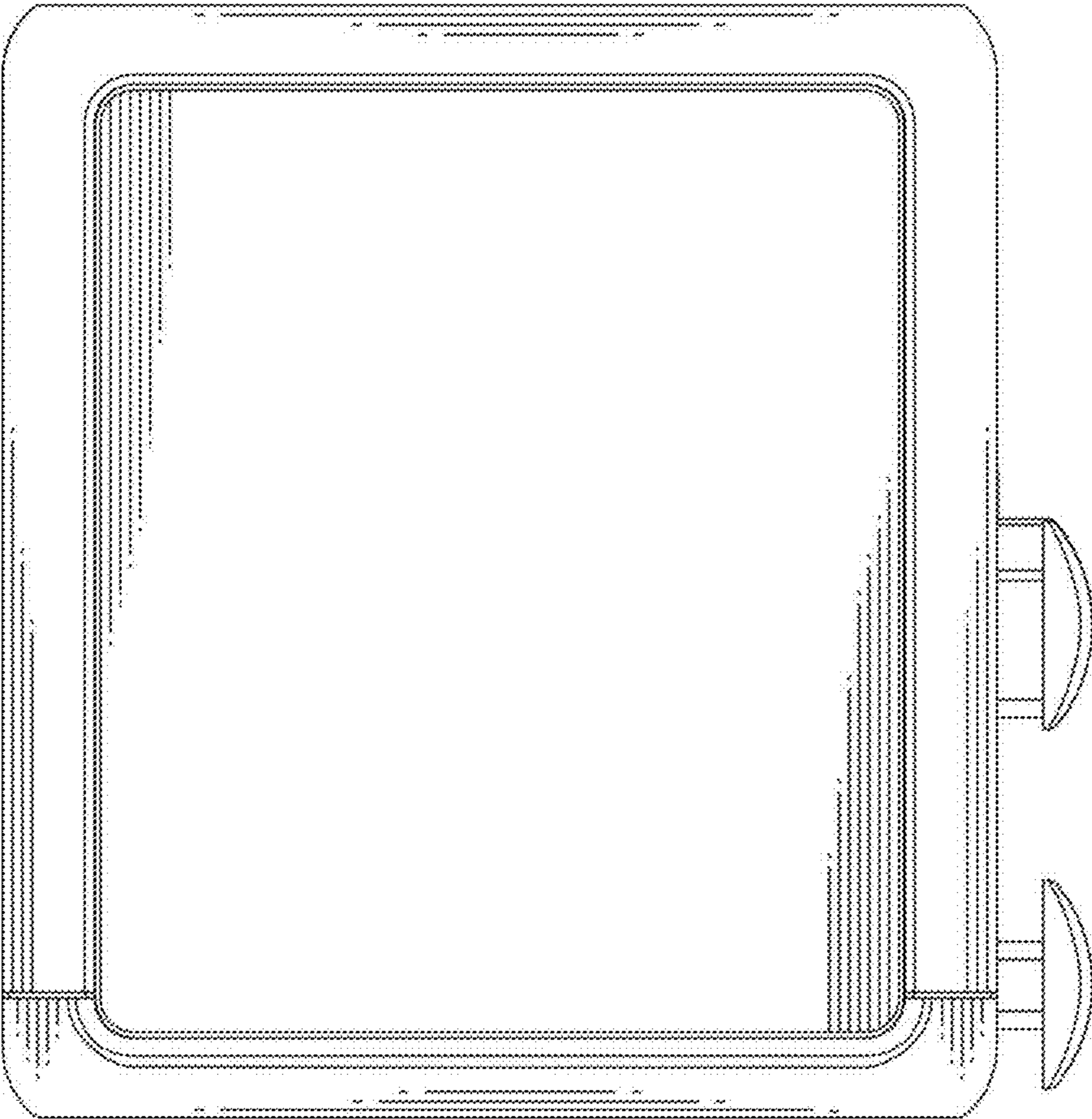


Fig. 5

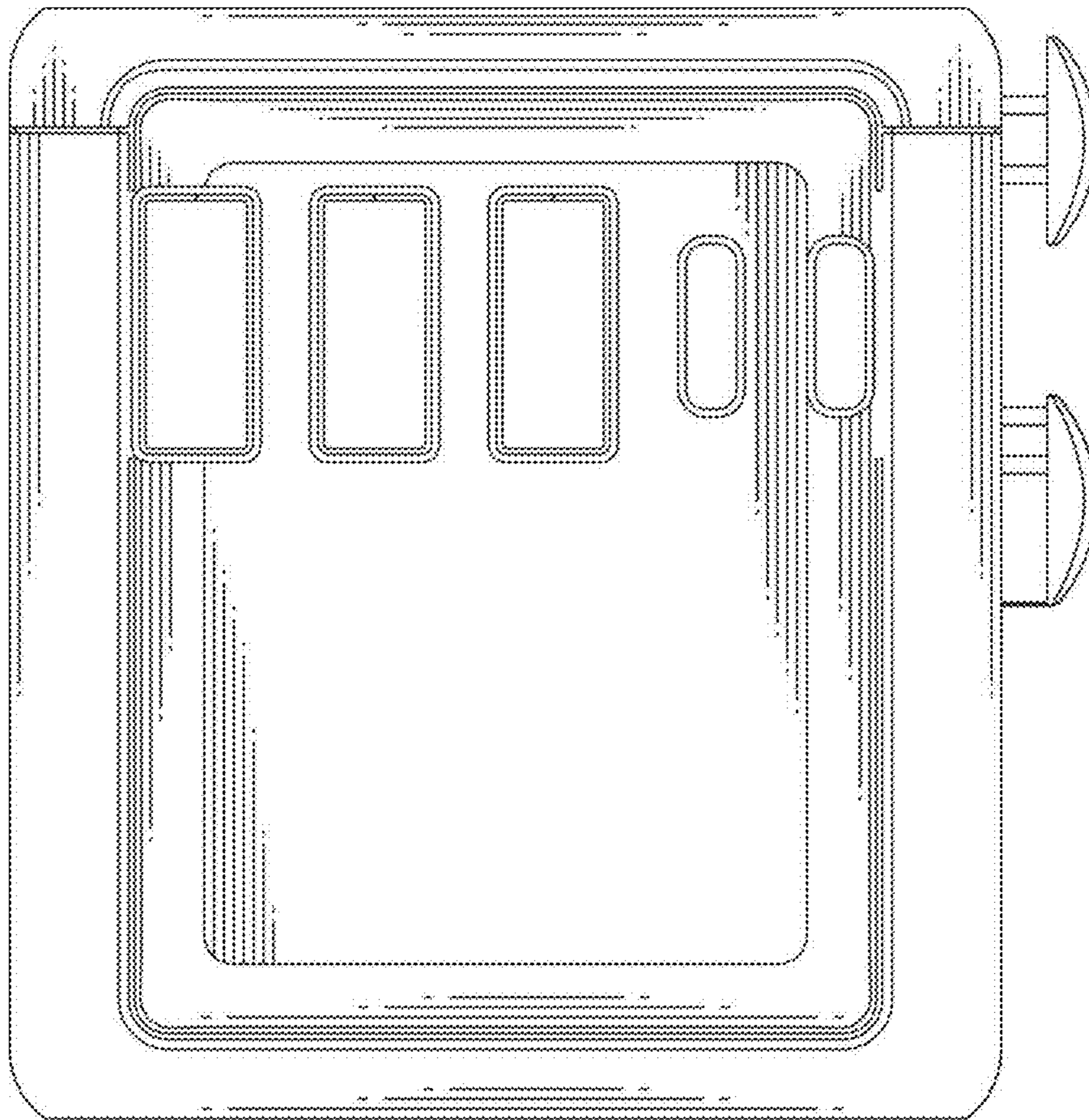


Fig. 6

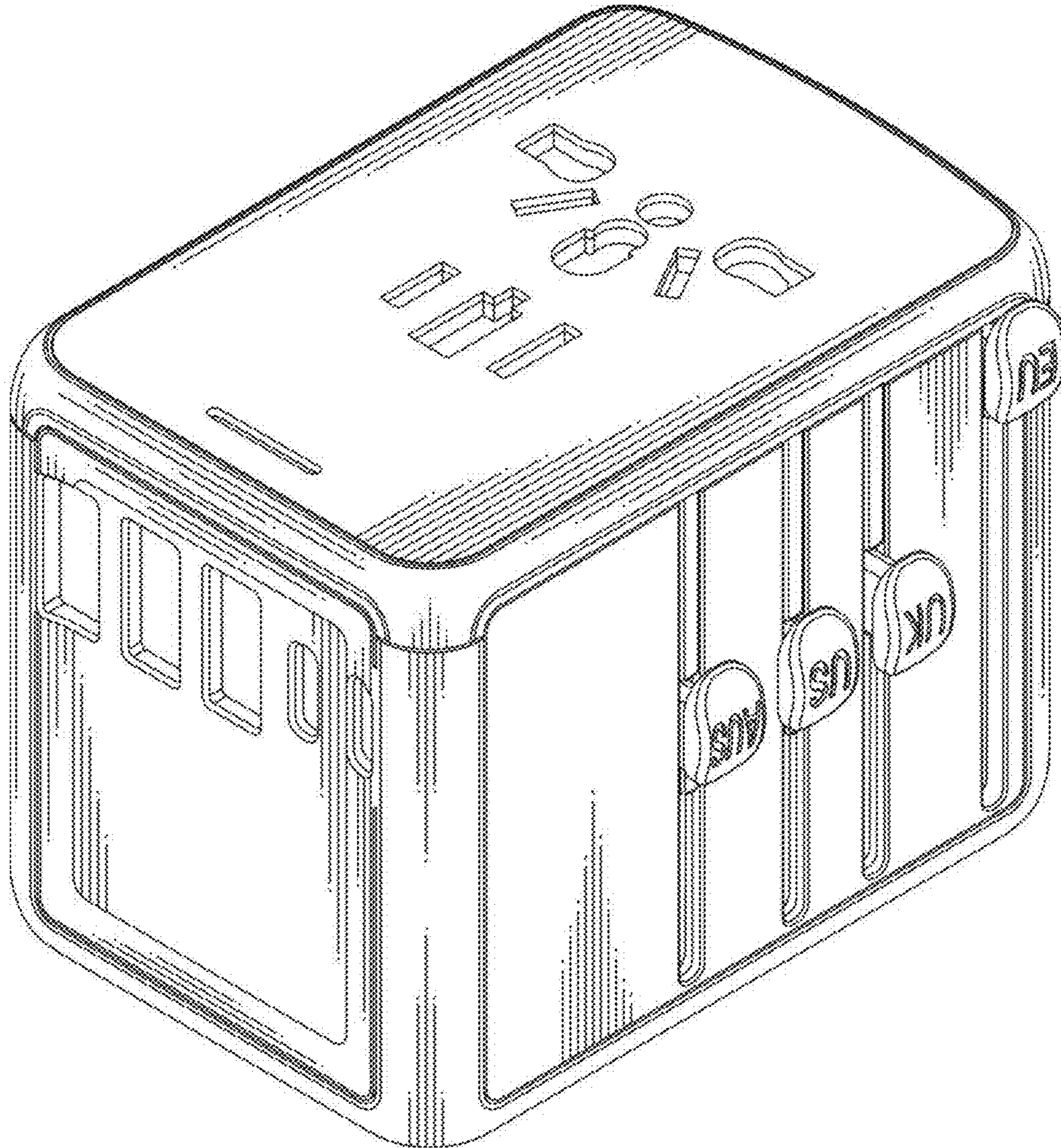


Fig. 7

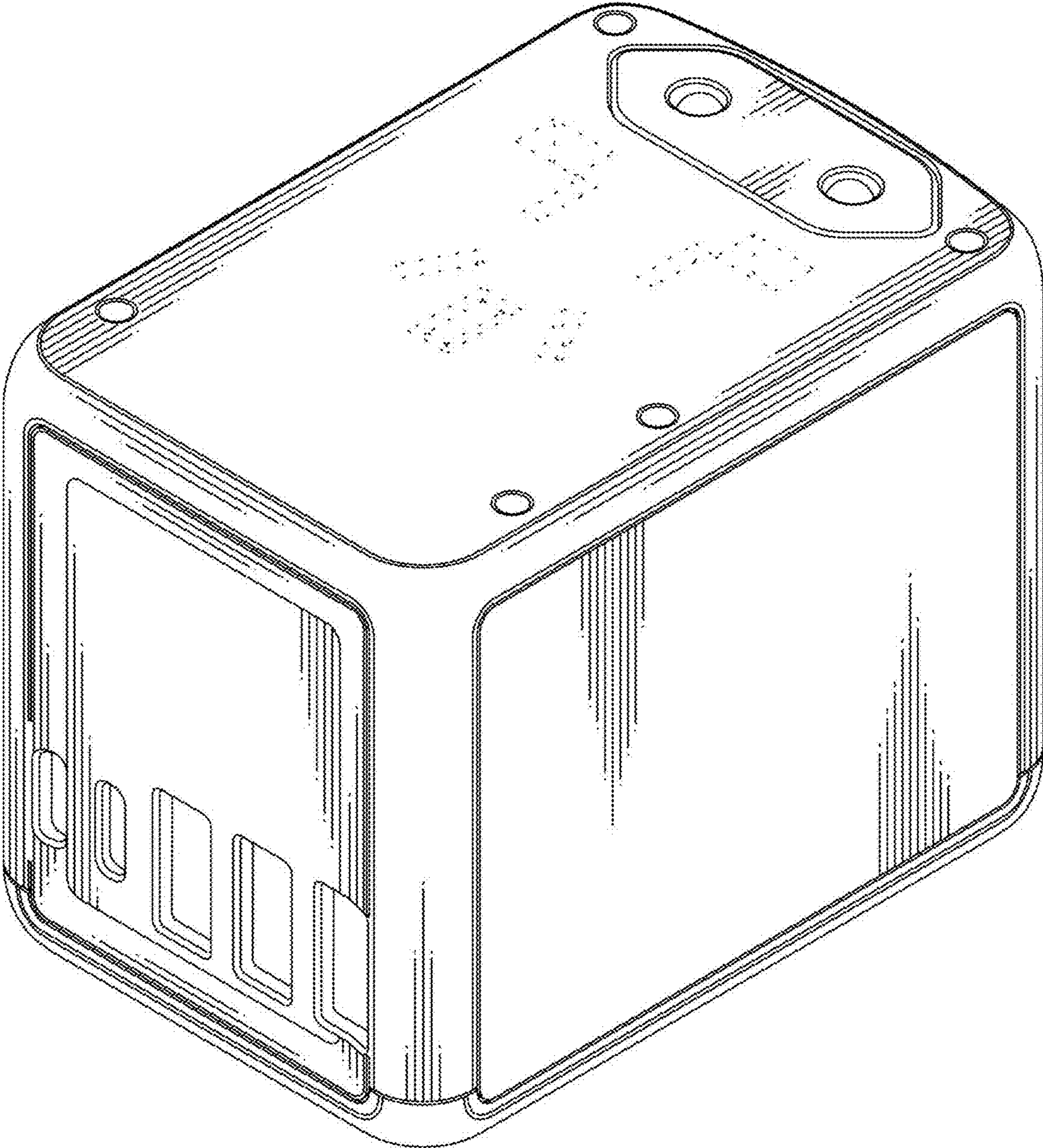


FIG. 8