



US00D949795S

(12) **United States Design Patent** (10) **Patent No.:** **US D949,795 S**
Anderson (45) **Date of Patent:** **** Apr. 26, 2022**

(54) **WIRE TERMINAL**

(71) Applicant: **Merrill Manufacturing Company,**
Storm Lake, IA (US)

(72) Inventor: **Stephen J. Anderson,** Storm Lake, IA
(US)

(73) Assignee: **MERRILL MANUFACTURING**
COMPANY, Storm Lake, IA (US)

(**) Term: **15 Years**

(21) Appl. No.: **29/681,458**

(22) Filed: **Feb. 26, 2019**

(51) **LOC (13) Cl.** **13-03**

(52) **U.S. Cl.**
USPC **D13/133; D13/149**

(58) **Field of Classification Search**
USPC D13/133, 146, 154, 147, 184, 199, 149,
D13/151, 173

CPC H01R 9/09; H01R 9/091; H01R 9/098;
H01R 9/22; H01R 9/24; H01R 9/2408;
H01R 9/2691; H01R 9/28; H01R 12/716;
H01R 13/426; H01R 4/00; H01R 4/10;
H01R 4/20; H01R 4/489; H01R 4/36;
H01R 43/20; H01R 8/2416; H01R 11/03;
H02G 3/086; F04B 49/06; F04B 23/02

See application file for complete search history.

(56) **References Cited**

U.S. PATENT DOCUMENTS

2,040,181 A	5/1936	Mekelburg
2,316,286 A	4/1943	Raney
2,735,043 A	2/1956	Speck
2,774,953 A	12/1956	Trier
2,780,793 A	2/1957	Gambale
2,907,978 A	10/1959	Bergan
3,056,381 A	10/1962	Barnet
3,081,875 A	3/1963	Parks
3,340,372 A	9/1967	Schaeter

3,742,166 A	6/1973	Schaeter	
4,669,806 A	6/1987	Fuchs	
4,882,459 A	11/1989	Edwards et al.	
4,998,097 A	3/1991	Noth et al.	
5,046,173 A	9/1991	Wall	
D320,381 S *	10/1991	McGrane 439/798
5,064,384 A	11/1991	Weaver	
5,206,789 A	4/1993	Barbry	

(Continued)

FOREIGN PATENT DOCUMENTS

DE	1199349	8/1965
DE	4420072 A1	12/1994

OTHER PUBLICATIONS

Terminal Block, date N/A, [online], [site visited Mar. 19, 2020], Available from Internet URL: <https://www.alliedelec.com/> (Year: N/A).*

(Continued)

Primary Examiner — Calvin E Vansant
(74) *Attorney, Agent, or Firm* — Sturm & Fix LLC

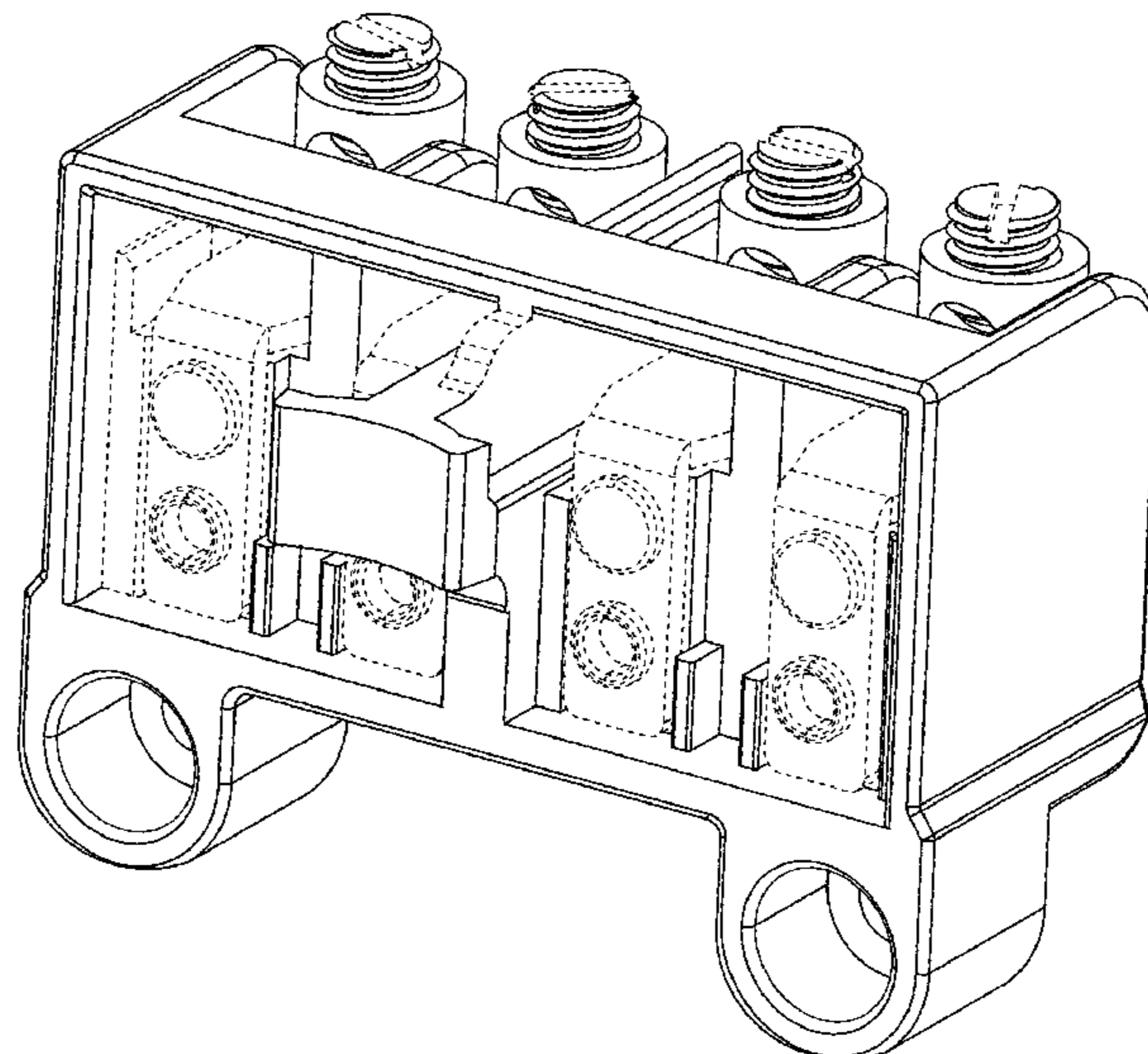
(57) **CLAIM**

The ornamental design for a wire terminal, as shown and described.

DESCRIPTION

FIG. 1 is a perspective view of a wire terminal showing my new design;
FIG. 2 is a front elevational view thereof;
FIG. 3 is a rear elevation view thereof;
FIG. 4 is a top plan view thereof;
FIG. 5 is a bottom plan view thereof;
FIG. 6 is a right said elevational view thereof; and,
FIG. 7 is a left side elevational view thereof.
The broken lines in FIGS. 1-4, 6 and 7 illustrate environmental subject matter only and form no part of the claimed design.

1 Claim, 7 Drawing Sheets



(56)

References Cited

U.S. PATENT DOCUMENTS

D352,699 S * 11/1994 Capper D13/133
 5,446,431 A 8/1995 Leach et al.
 5,600,536 A 2/1997 Newsome et al.
 5,664,971 A 9/1997 Coy
 D470,113 S * 2/2003 Brower D13/154
 6,910,912 B2 6/2005 Hung
 6,953,373 B1 10/2005 Vos
 7,044,776 B2 5/2006 King et al.
 D545,304 S 6/2007 Sergi
 7,384,297 B2 6/2008 King et al.
 7,431,611 B2 10/2008 King et al.
 7,513,790 B2 4/2009 Keeven
 7,798,869 B1 9/2010 Konopacki
 7,867,002 B1 1/2011 Lin et al.
 D652,388 S * 1/2012 Cerasale D13/151
 D660,802 S * 5/2012 Quinn, Jr. D13/151
 D708,146 S 7/2014 Soni
 9,048,555 B2 6/2015 Chow
 D759,595 S 6/2016 Enomoto et al.
 9,425,596 B2 8/2016 Laverdiere
 9,444,171 B1 9/2016 Li
 D777,111 S 1/2017 Zantout et al.
 D798,237 S 9/2017 Peng
 9,933,460 B2 4/2018 Rohr et al.
 10,109,943 B2 10/2018 Miyamura et al.
 10,197,051 B2 * 2/2019 Anderson F04B 49/06
 D847,095 S * 4/2019 Wan D13/147
 D862,394 S 10/2019 Hernandez et al.
 10,498,050 B1 12/2019 Liang et al.
 2016/0281703 A1 9/2016 Anderson

OTHER PUBLICATIONS

Cad Drawings no shading, Published on Jan. 1, 2017.
 Cad Drawings shaded, Published on Jan. 1, 2017.
 Zhejiang Shenneng Technology, Inc, Cad Drawings, Published on Jan. 1, 2017.
 Mike Sturm, Fig.2front elevational view, Published on Jan. 1, 2017.
 Mike Sturm, Fig.3rear elevational view, Published on Jan. 1, 2017.

Mike Sturm, Fig.4top elevational view, Published on Jan. 1, 2017.
 Mike Sturm, Fig.5.bottom elevational view, Published on Jan. 1, 2017.
 Mike Sturm, Fig.6.left side elevational view, Published on Jan. 1, 2017.
 Mike Sturm, Fig.7.right side elevational view, Published on Jan. 1, 2017.
 Michael O. Sturm Top view Sep. 29, 2016 photograph United States.
 Michael O. Sturm Rear View Sep. 29, 2016 Photograph United States.
 Michael O. Sturm Prior Right Side View Sep. 29, 2016 Photograph United States.
 Michael O. Sturm Bottom View Sep. 29, 2016 Photograph United States.
 Michael O. Sturm Left Side Sep. 29, 2016 Photograph United States.
 Michael O. Sturm Front View Sep. 29, 2016 Photograph United States.
 Schneider 9998PC241 advertisement Dec. 2, 2011.
 Schneider 9998PC242 advertisement Dec. 2, 2011.
 Square D 9013B2 Dec. 2, 1982.
 Square D Amazon "Replacement Contact Kit, FSG Series, Brand, Square D."
 Thomas & Betts Catalog Jan. 1, 2002.
 Merrill Manufacturing advertisement Jan. 24, 2018.
 AMP Drawing No. C-54725 Jun. 13, 1994.
 Tyco Drawing No. C-54725 Jan. 2008.
 Tyco Drawing No. C-321867-1 Jan. 2008.
 TE Drawing No. C-322906 Mar. 2011.
 Water Well Journal Mar. 2018 3 pages—Cover, p. 2 & p. 67 National Groundwater Association United States.
 Thomas & Betts Catalog 2002 1 page—p. F64 Thomas & Betts Corporation United States.
 Thomas & Betts Catalog 2002 1 page—p. F74 Thomas & Betts Corporation United States.
 Black Oak Foundry Flyer Admitted to be prior to Mar. 2018 p. 1 of 1 Black Oak Foundry United States.

* cited by examiner

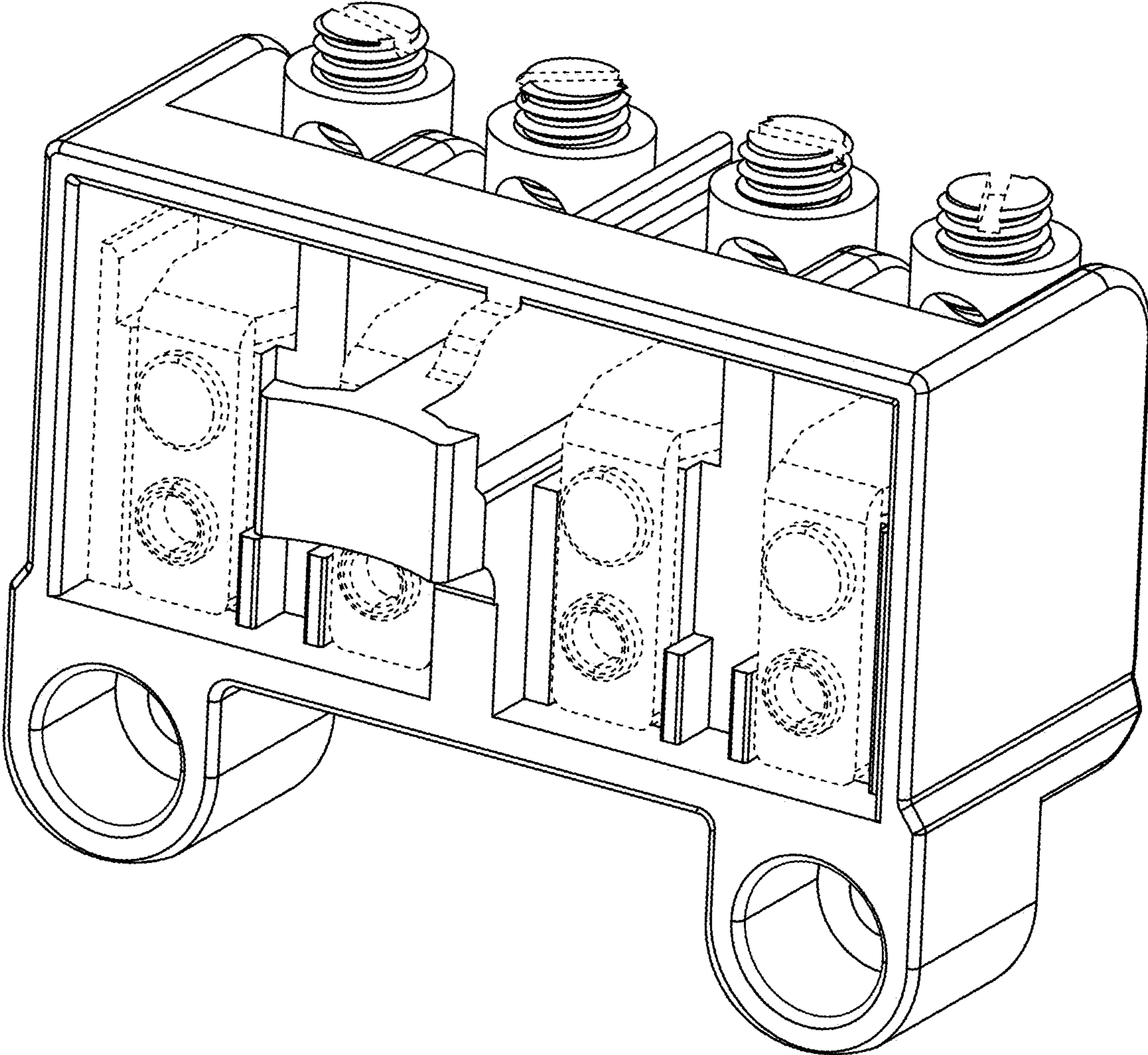


FIG. 1

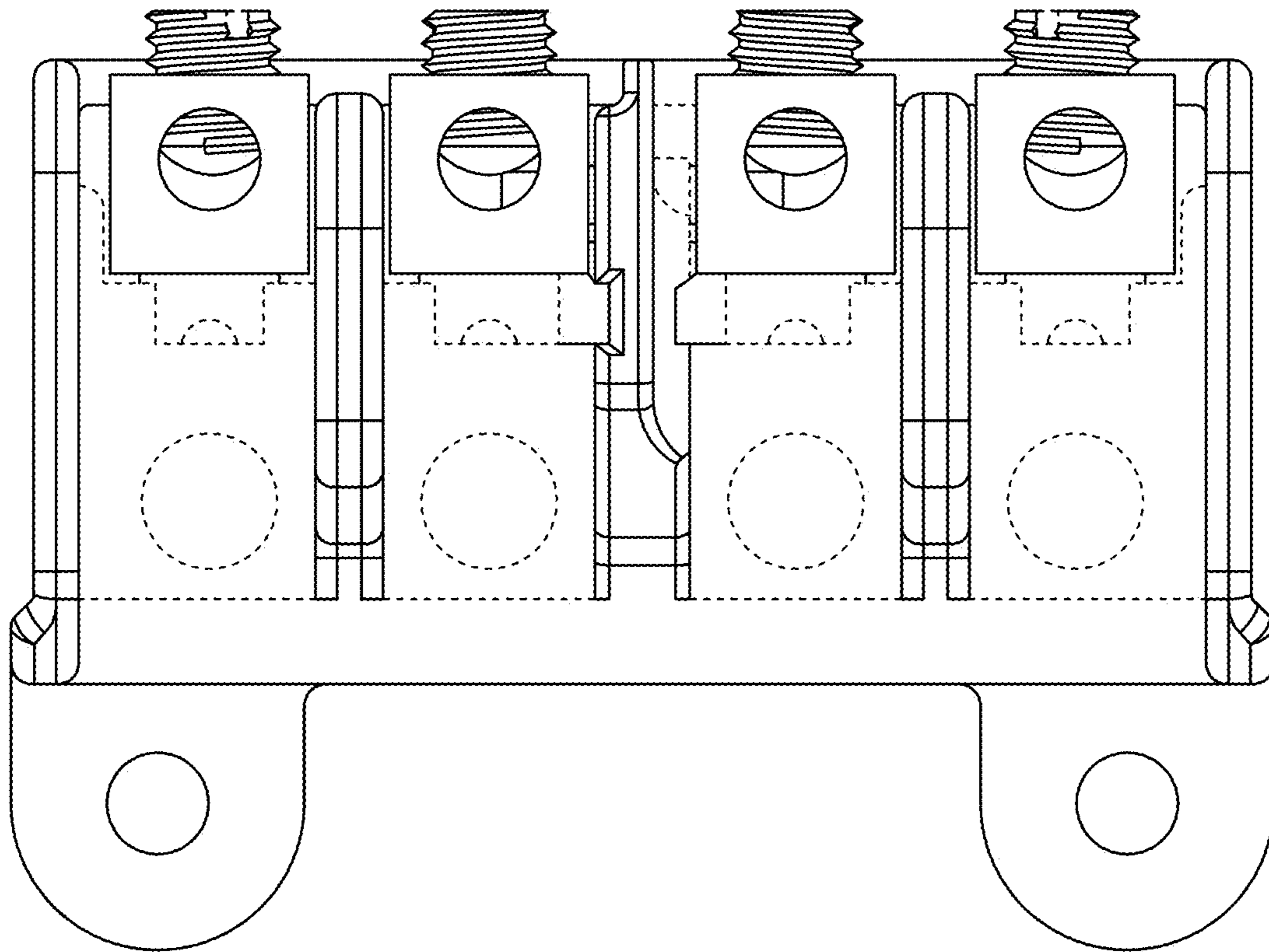


FIG. 2

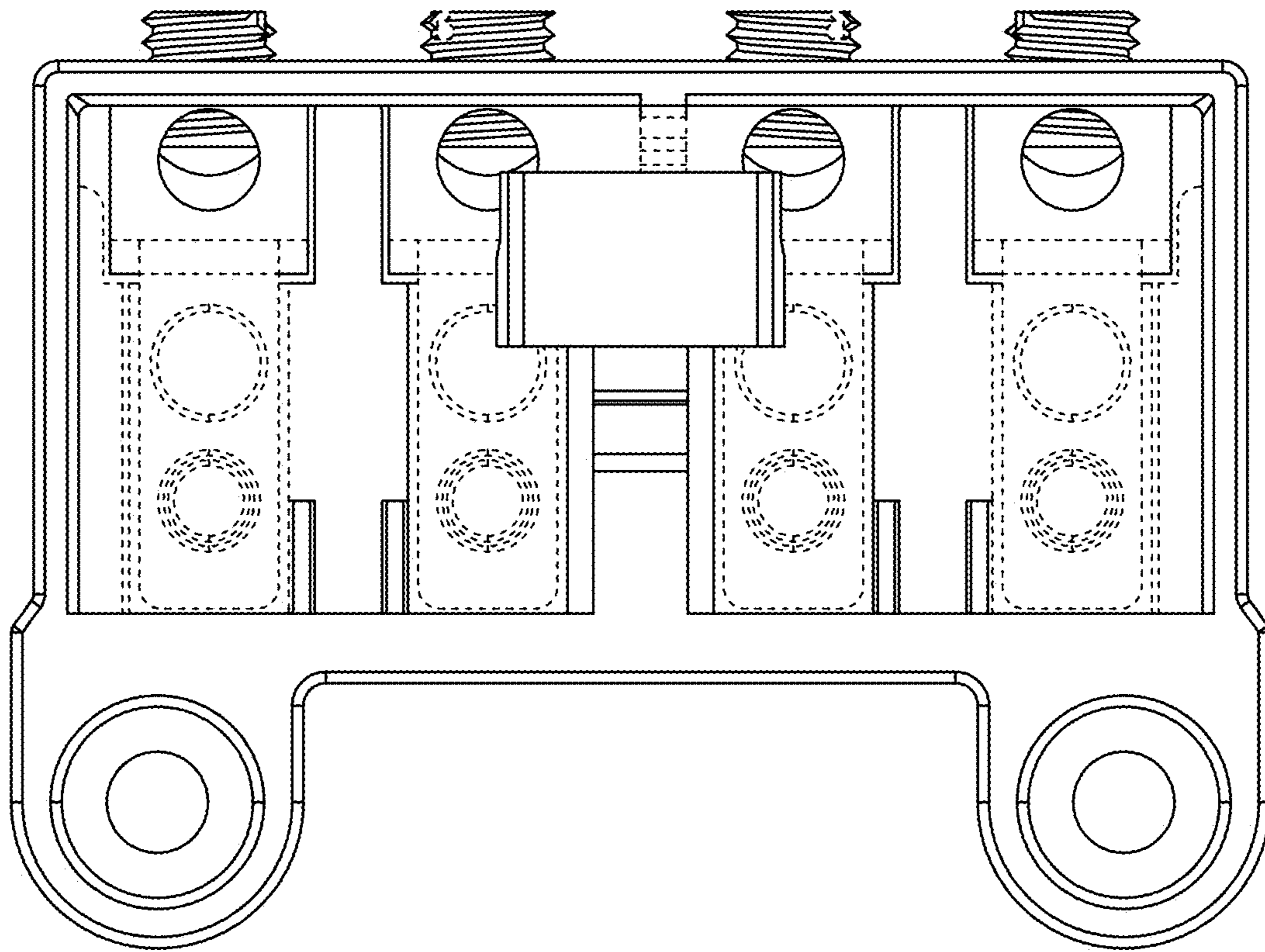


FIG. 3

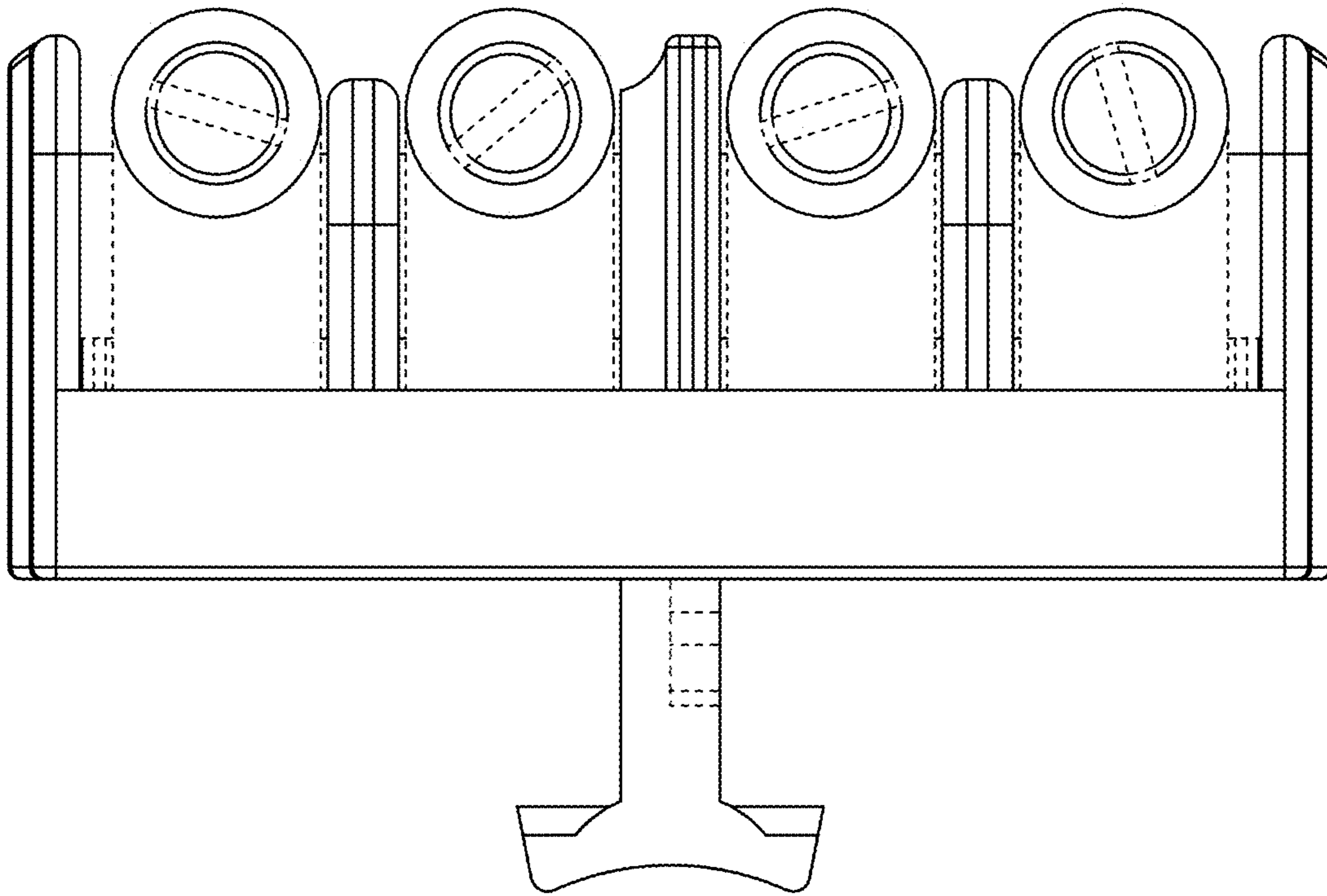


FIG. 4

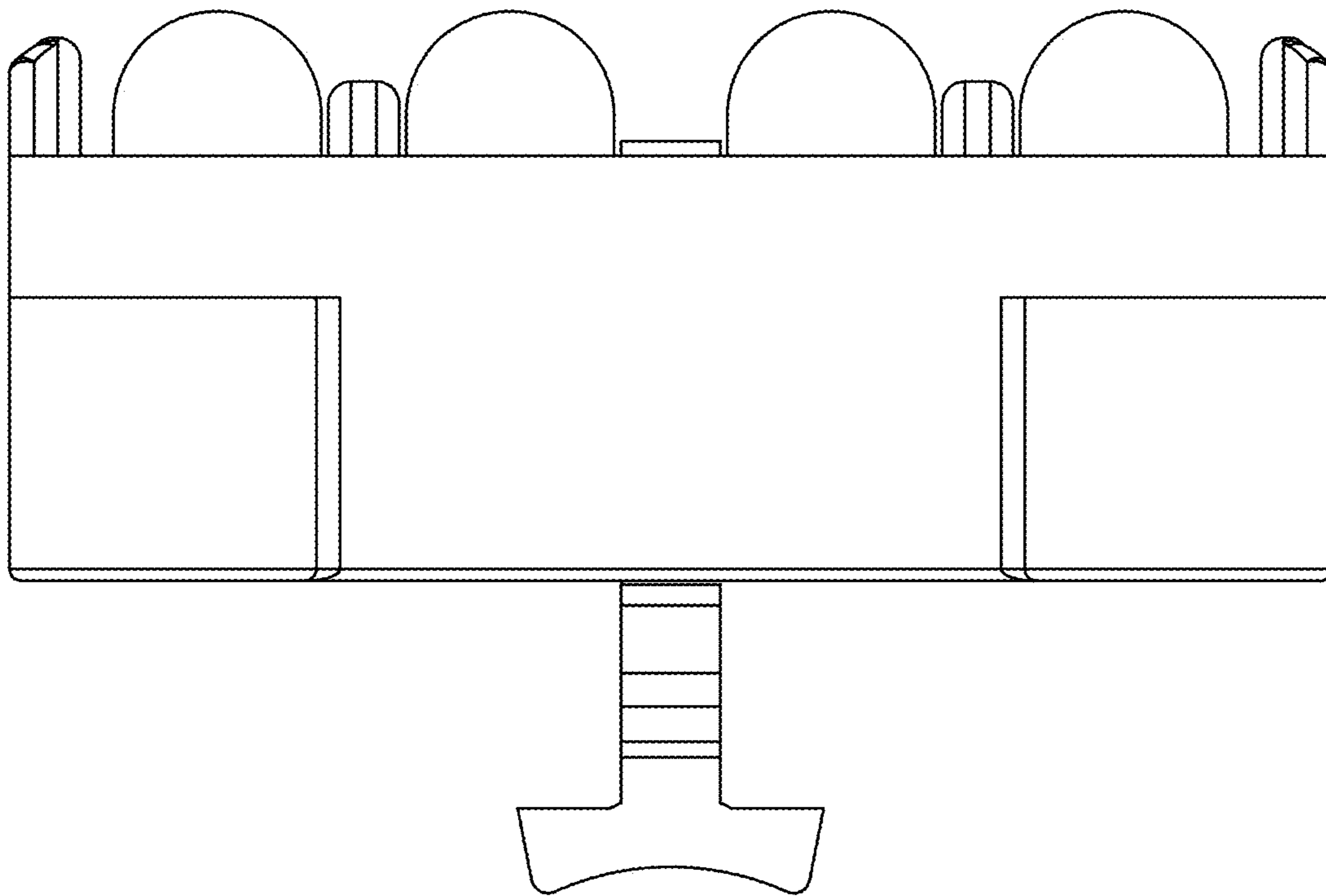


FIG. 5

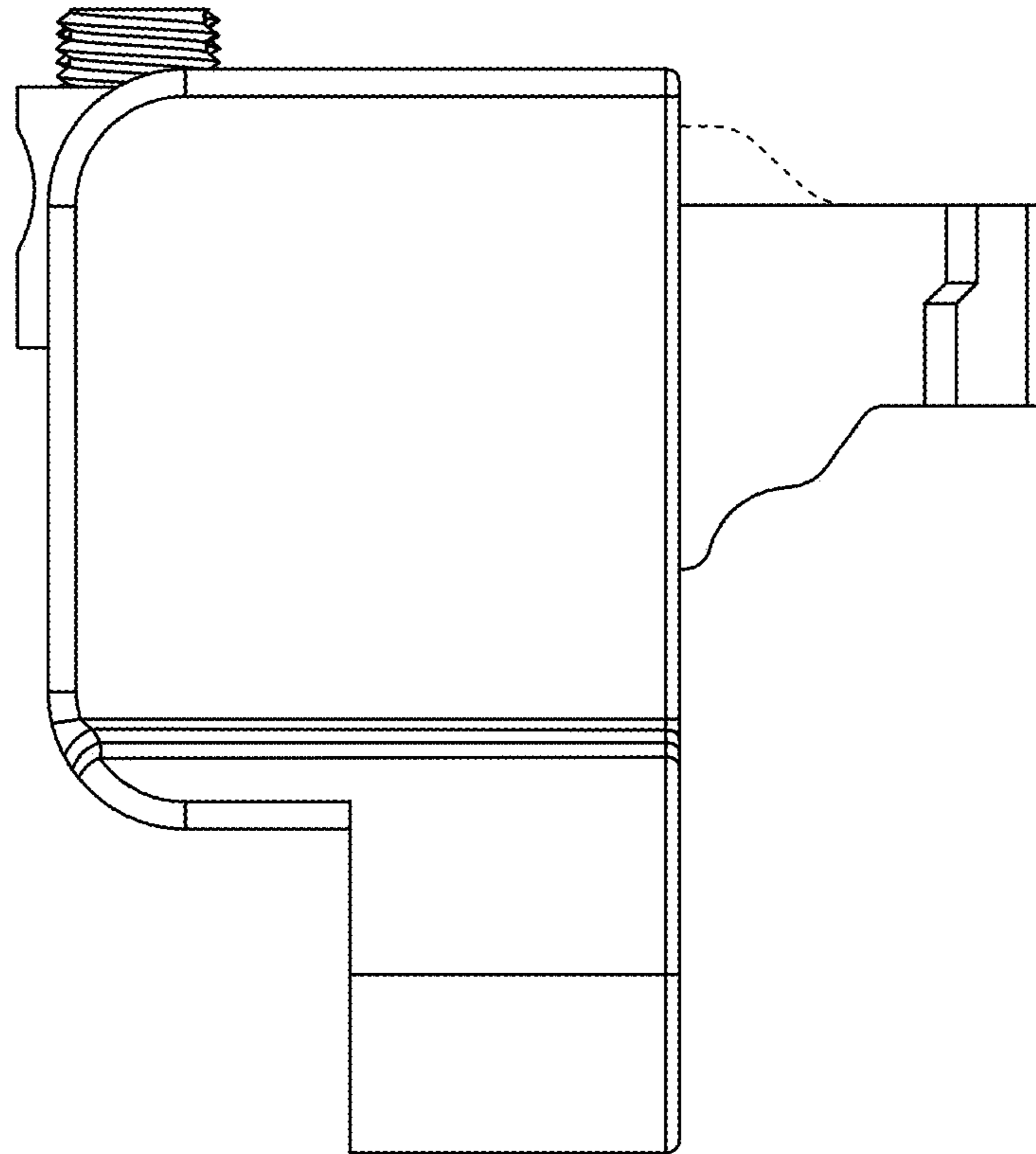


FIG. 6

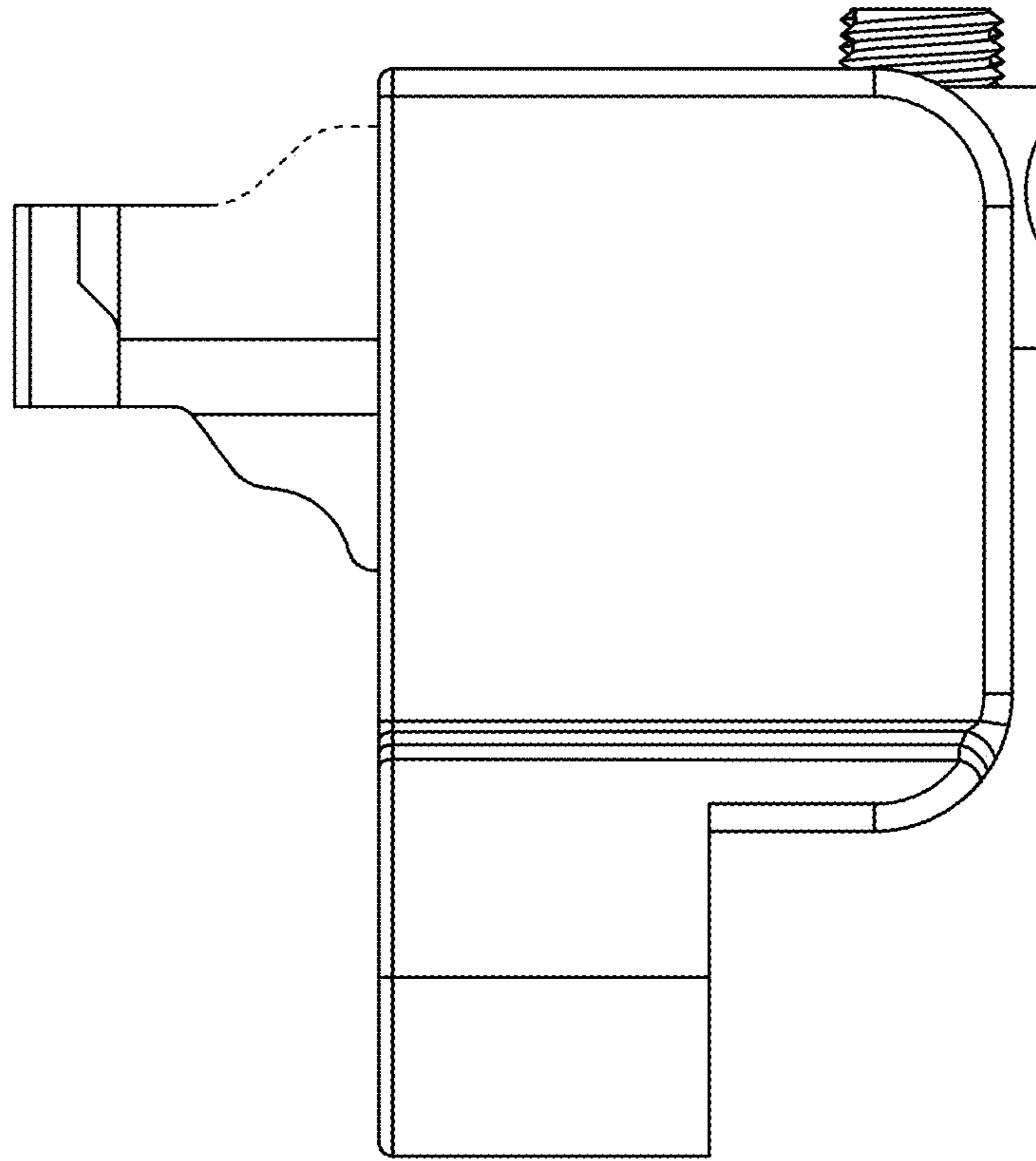


FIG. 7