



US00D949792S

(12) **United States Design Patent** (10) **Patent No.:** **US D949,792 S**  
**Küster** (45) **Date of Patent:** **\*\* Apr. 26, 2022**

(54) **WIND TURBINE**  
(71) Applicant: **FlowGen Development & Management AG, Zug (CH)**  
(72) Inventor: **Dirk Karl Küster, Sattel (CH)**  
(73) Assignee: **FlowGen Development & Management AG, Zug (CH)**

D487,060 S 2/2004 Ehrenberger  
D543,495 S \* 5/2007 Williams ..... D12/345  
D587,196 S 2/2009 Chong  
D598,376 S 8/2009 Cheung  
D608,667 S 1/2010 Chang  
D642,526 S \* 8/2011 Presz, Jr. .... D13/115  
D665,349 S 8/2012 Presz, Jr.  
(Continued)

(\*\*) Term: **15 Years**  
(21) Appl. No.: **29/818,000**  
(22) Filed: **Dec. 6, 2021**

EP 2 395 235 A2 12/2011  
EP 3 156 642 A1 4/2017  
(Continued)

**FOREIGN PATENT DOCUMENTS**

**OTHER PUBLICATIONS**

**Related U.S. Application Data**

(62) Division of application No. 29/708,891, filed on Oct. 10, 2019.  
(51) **LOC (13) Cl.** ..... **13-01**  
(52) **U.S. Cl.**  
USPC ..... **D13/115**  
(58) **Field of Classification Search**  
USPC ..... D13/112, 101, 113, 114, 115, 122, 184,  
D13/199; D12/214, 344, 345; D15/5, 7,  
D15/199; D23/365, 380, 386, 411  
CPC .. H02K 3/24; H02K 3/47; Y02E 10/30; Y02E  
10/38; Y02E 10/72; F02B 63/04; F03B  
13/183; F03B 13/184; F03D 1/0633;  
F03D 1/04; F03D 1/06; F03D 7/048  
See application file for complete search history.

International Search Report dated Apr. 30, 2019 in corresponding International application No. PCT/EP2018/070647; 3 pages.  
(Continued)

*Primary Examiner* — Derrick E Holland  
(74) *Attorney, Agent, or Firm* — Maier & Maier, PLLC

(57) **CLAIM**

The ornamental design for a wind turbine, as shown and described.

**DESCRIPTION**

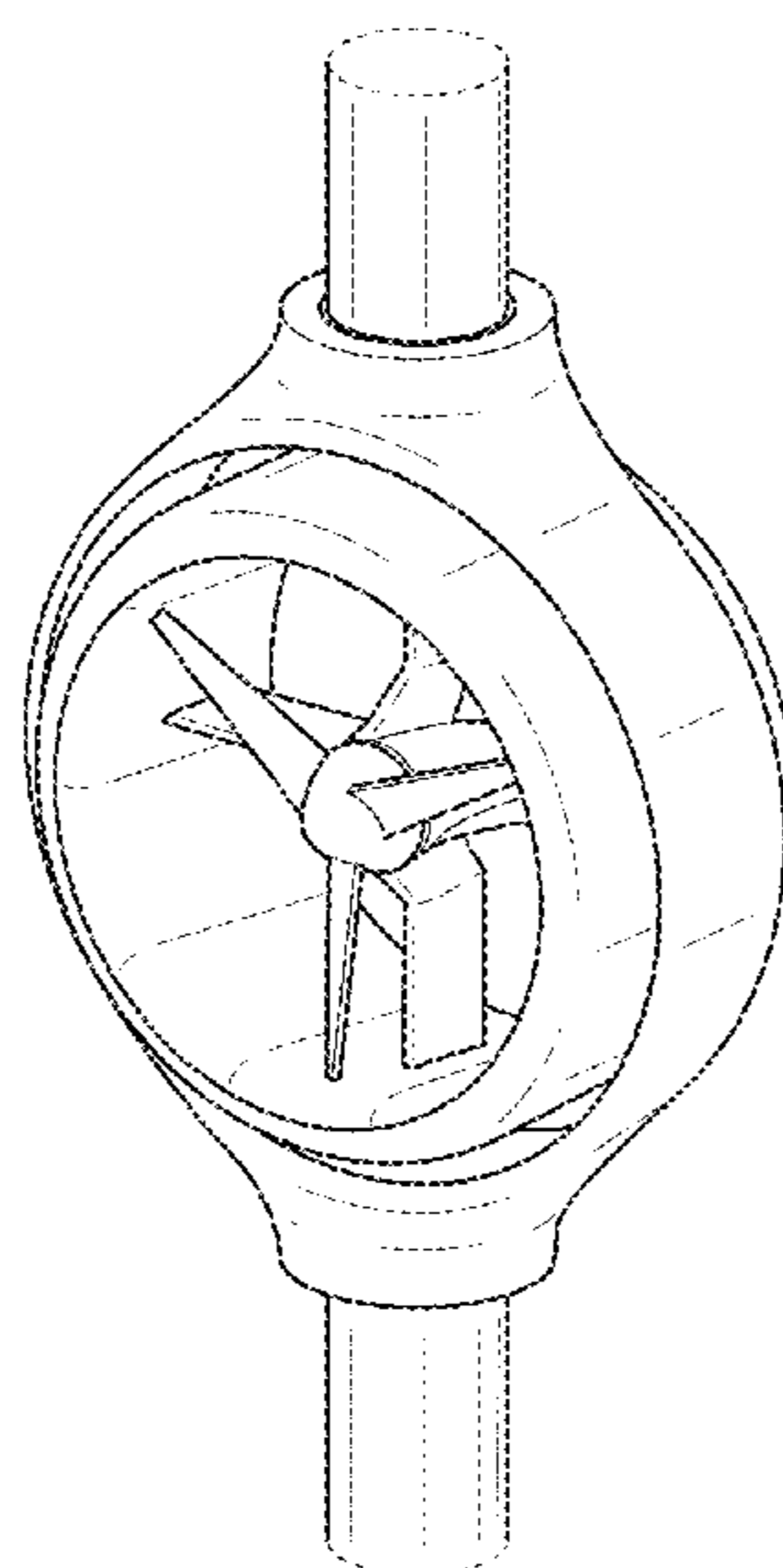
FIG. 1 is a front perspective view of a wind turbine, showing my design;  
FIG. 2 is a rear perspective view thereof;  
FIG. 3 is a front elevation view thereof;  
FIG. 4 is a rear elevation view thereof;  
FIG. 5 is a left elevation view thereof;  
FIG. 6 is a right elevation view thereof;  
FIG. 7 is a top plan view thereof; and,  
FIG. 8 is a bottom plan view thereof.  
The broken line showing of portions of the wind turbine forms no part of the claimed design.

(56) **References Cited**

**U.S. PATENT DOCUMENTS**

4,178,124 A 12/1979 Puskas  
4,720,640 A 1/1988 Anderson et al.  
D336,762 S 6/1993 Miller  
D419,518 S \* 1/2000 Harrison ..... D12/214  
6,168,373 B1 \* 1/2001 Vauthier ..... F03B 13/10  
415/7  
6,246,126 B1 6/2001 Van Der Veken et al.

**1 Claim, 6 Drawing Sheets**



(56)

**References Cited**

U.S. PATENT DOCUMENTS

D678,836 S *	3/2013	Presz, Jr. ....	D13/115
D710,303 S *	8/2014	Liao .....	D13/118
D714,735 S	10/2014	Bertolotti	
9,279,414 B2	3/2016	Barber	
D766,828 S	9/2016	Yamada	
D803,781 S *	11/2017	Fujii .....	D13/115
D815,597 S	4/2018	Cawthorne	
D821,953 S *	7/2018	Liu .....	D12/214
2010/0068052 A1	3/2010	Werle et al.	
2011/0140454 A1	6/2011	Earl	
2011/0229302 A1	9/2011	Presz, Jr.	
2011/0304152 A1	12/2011	Aussem et al.	
2012/0061968 A1	3/2012	Burrell	
2013/0266429 A1	10/2013	Andrews	
2017/0114778 A1	4/2017	Madson	
2018/0306166 A1	10/2018	Kuster	

FOREIGN PATENT DOCUMENTS

EP	3 473 848 A1	4/2019
FR	2 978 797 A1	2/2013
WO	98/17912 A1	4/1998
WO	2014/136032 A1	9/2014

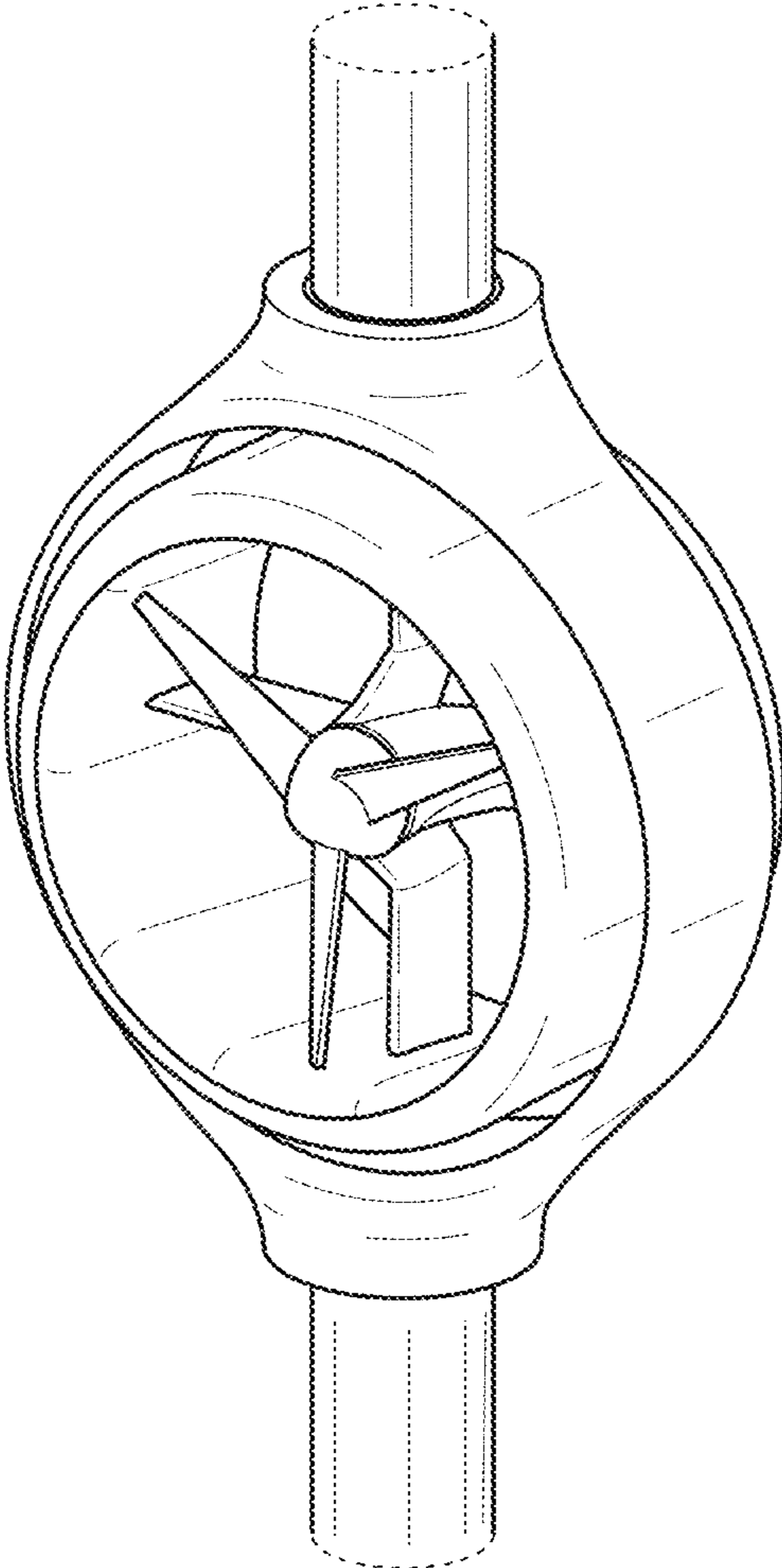
OTHER PUBLICATIONS

English language International Search Report dated Dec. 20, 2016 in corresponding international Application No. PCT/EP2016/072426; 3 pages.

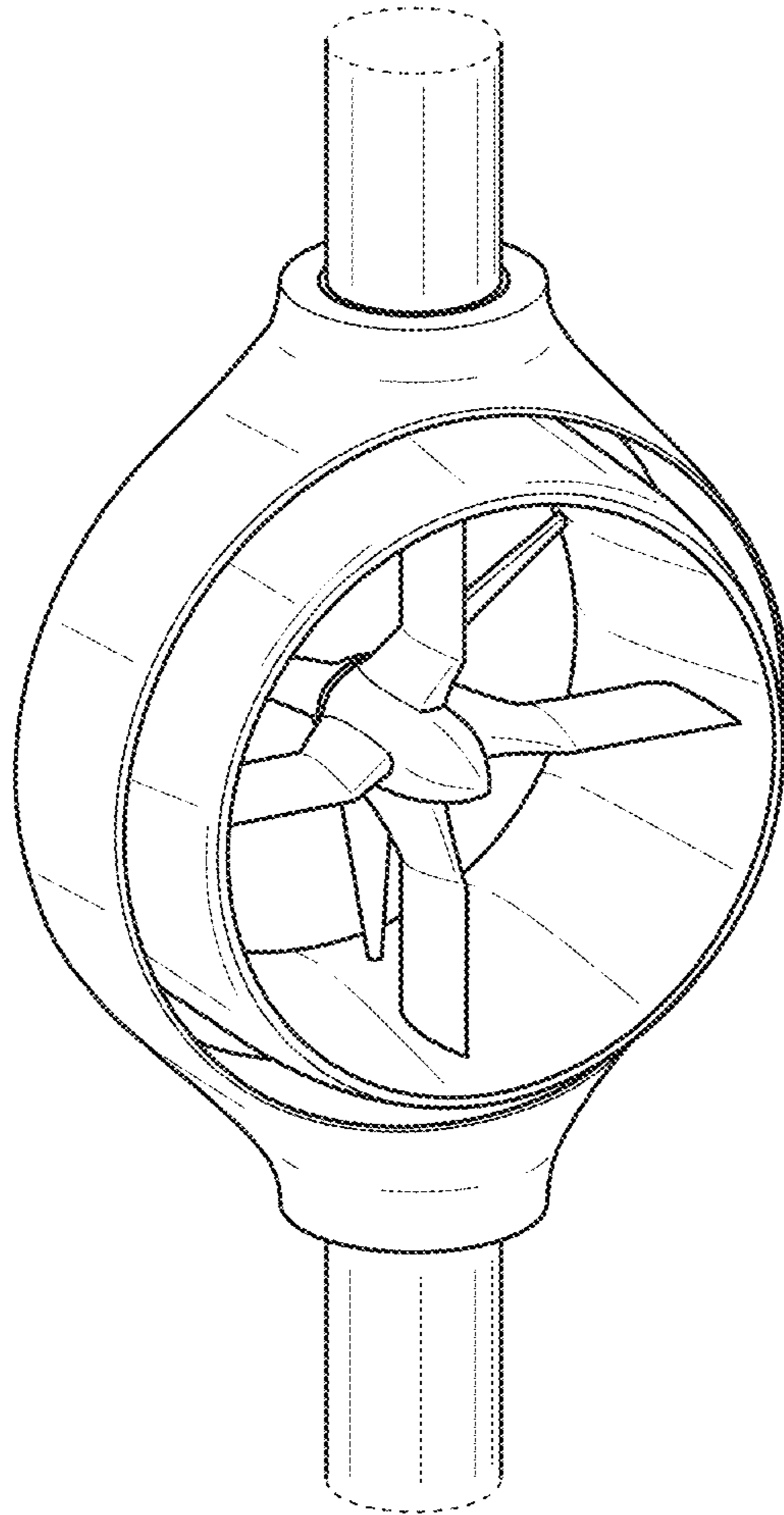
English language translation of the International Preliminary Report on Patentability dated Apr. 26, 2018 in corresponding International Application No. PCT/EP2016/072426; 6 pages.

Notification of Partial Refusal of Protection dated May 6, 2020, in connection with corresponding International Registration No. DM/202636; 3 pages.

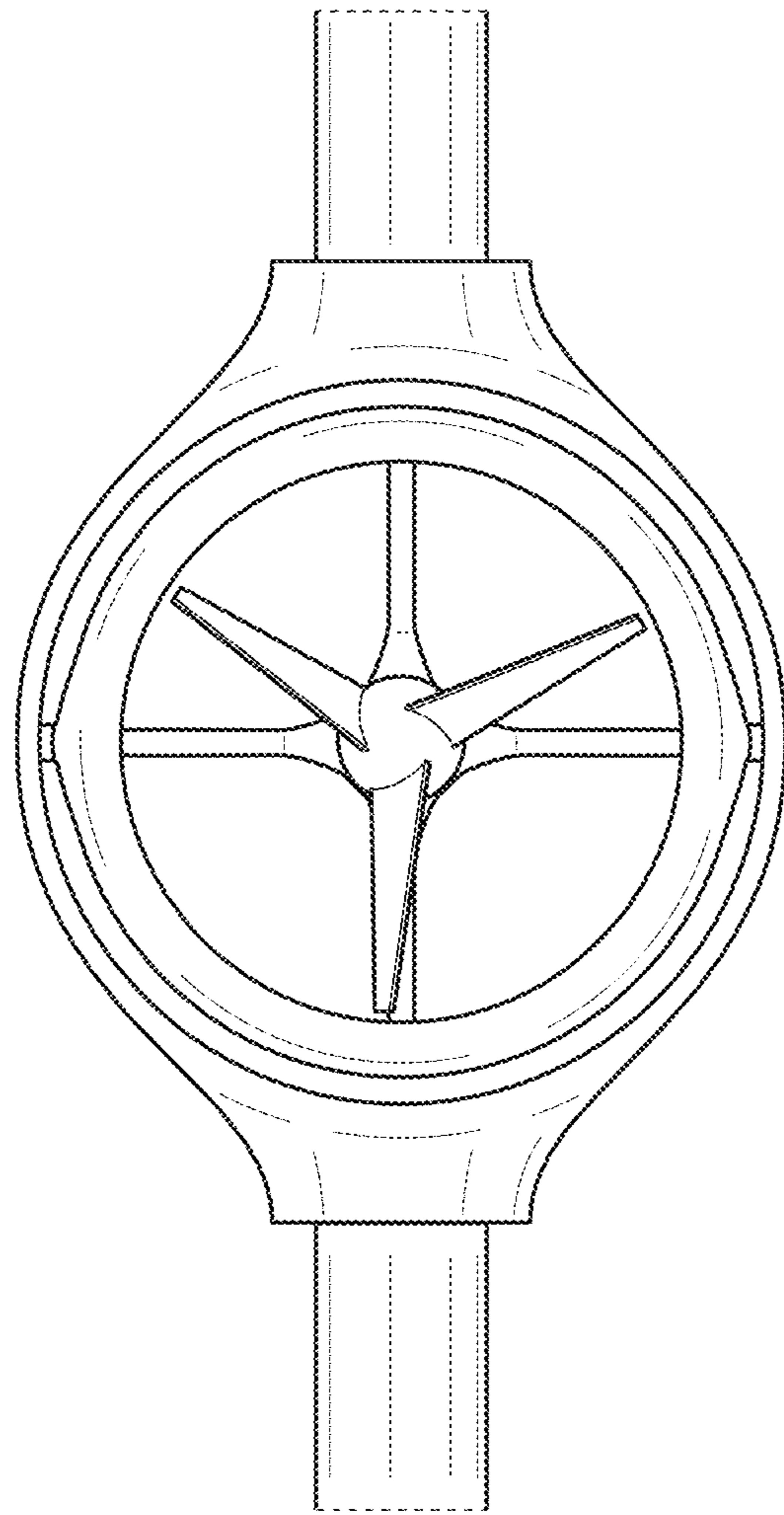
\* cited by examiner



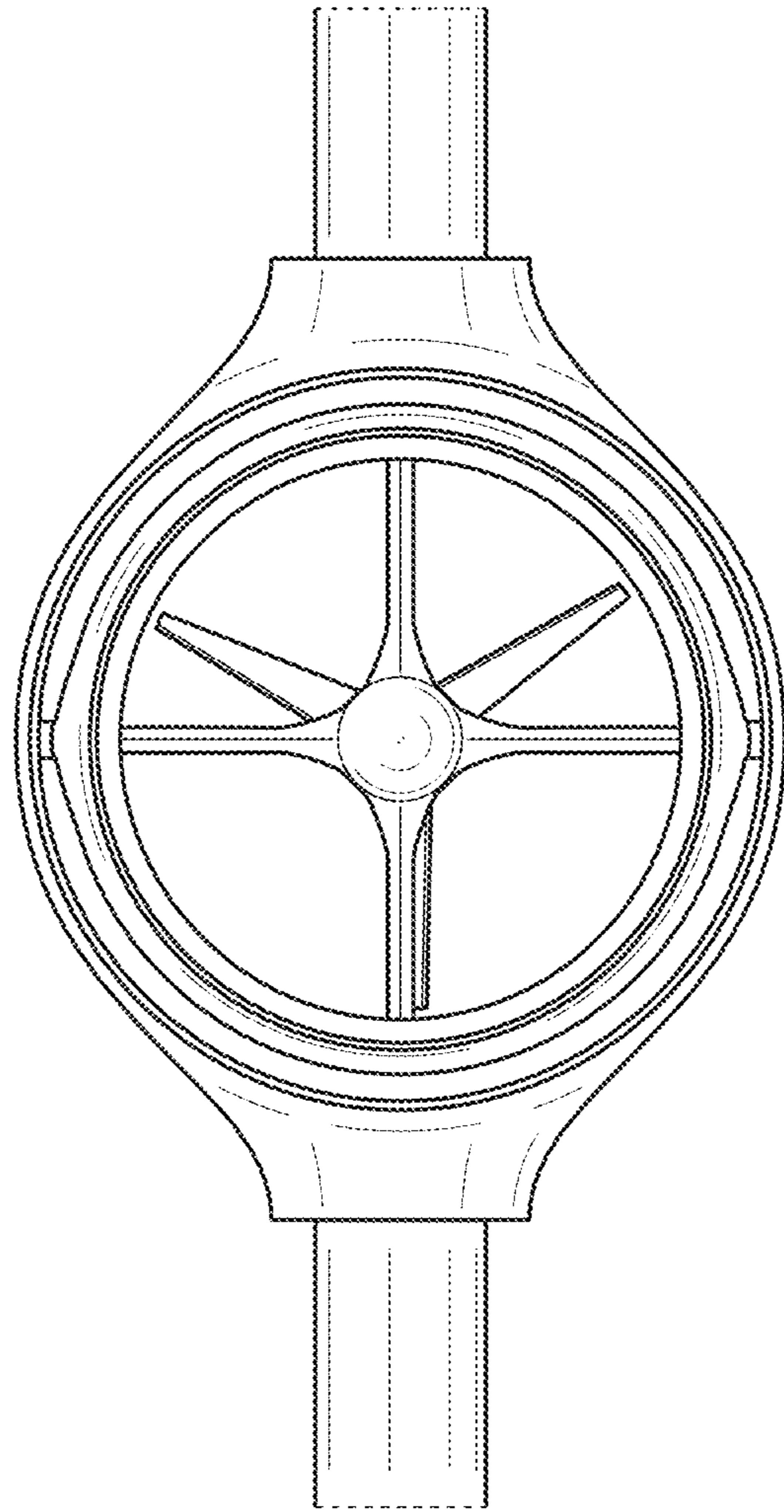
*Fig. 1*



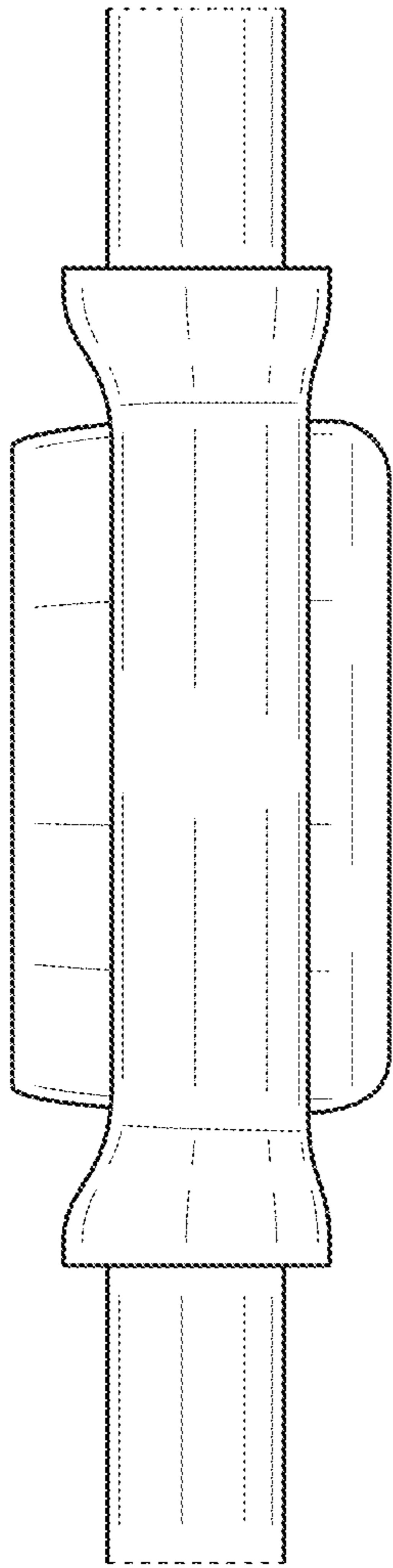
*Fig. 2*



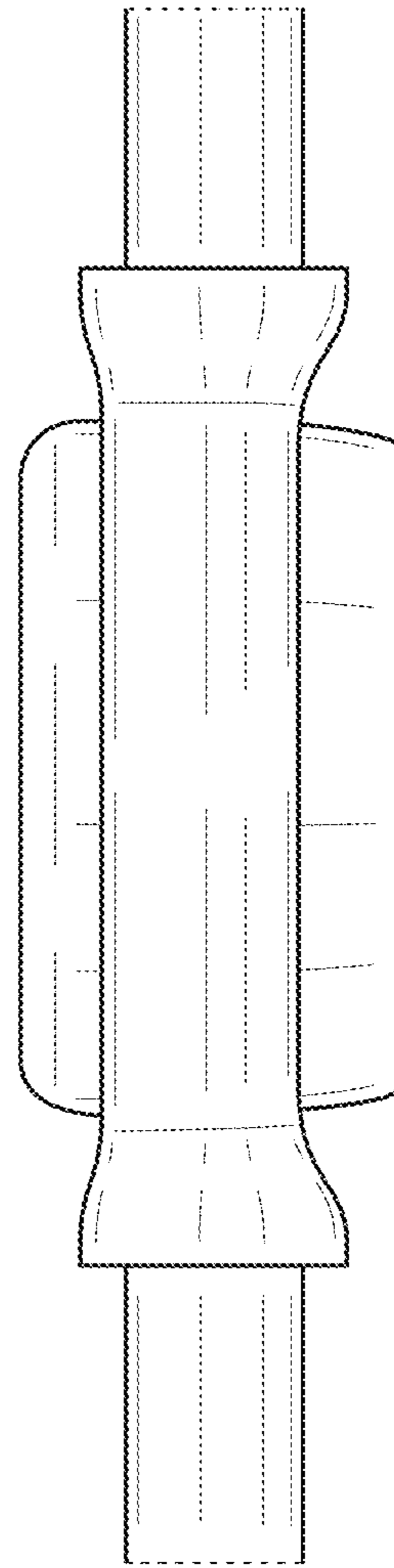
*Fig. 3*



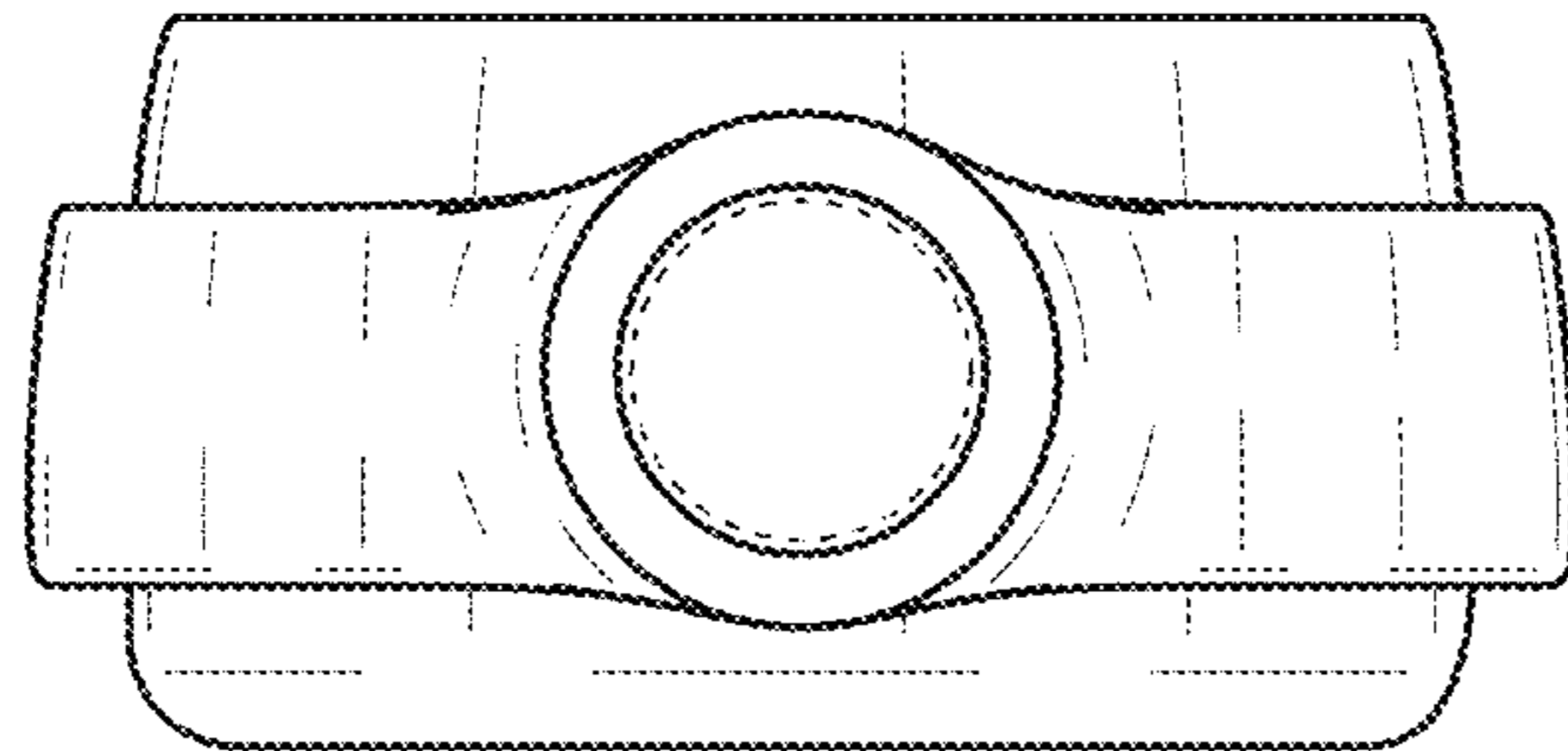
*Fig. 4*



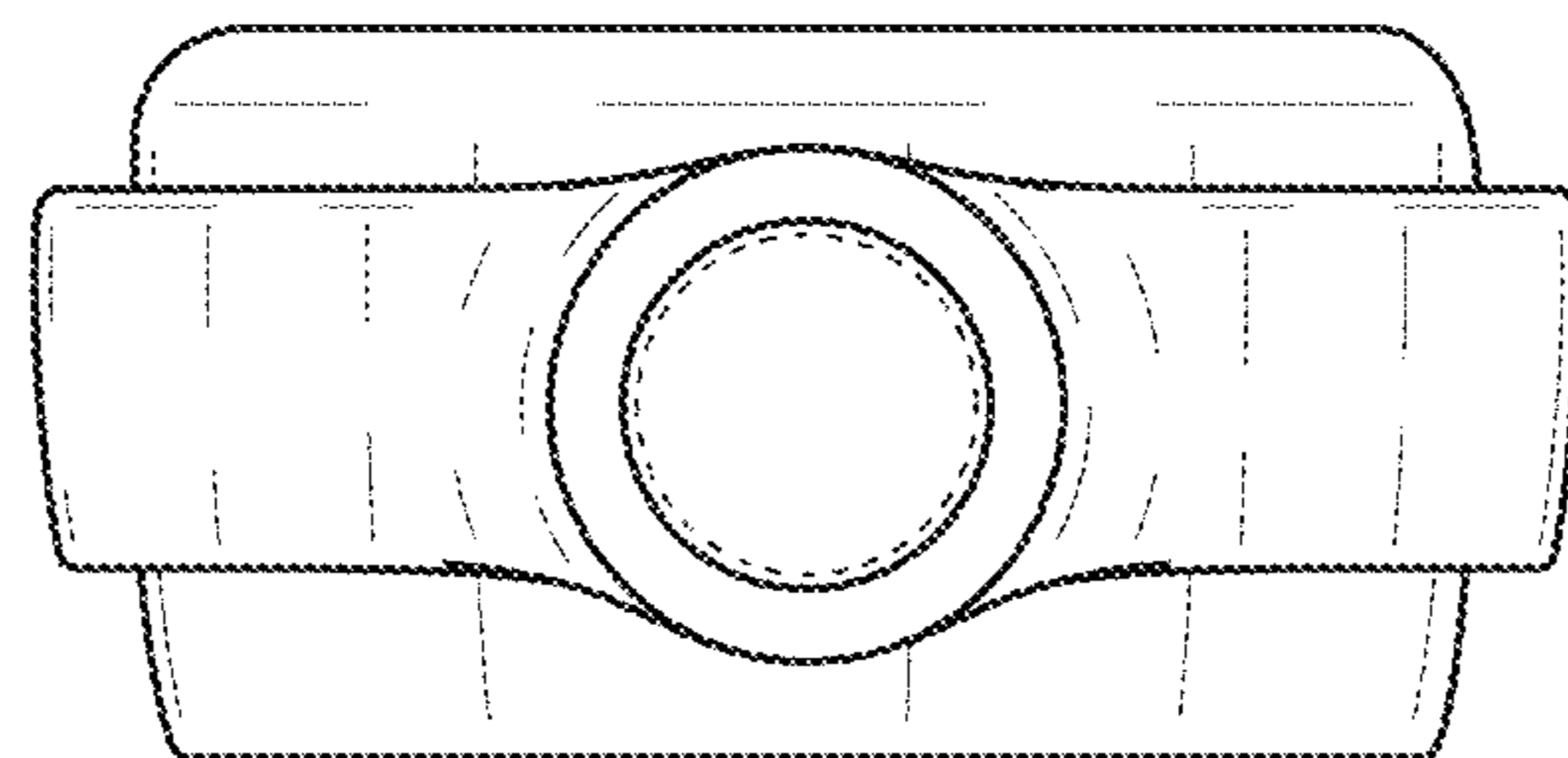
*Fig. 5*



*Fig. 6*



*Fig. 7*



*Fig. 8*