

US00D949786S

(12) **United States Design Patent**
Hachiri et al.

(10) **Patent No.:** **US D949,786 S**

(45) **Date of Patent:** **** Apr. 26, 2022**

(54) **BATTERY CHARGER FOR EARPHONE**

(71) Applicant: **JVCKENWOOD Corporation,**
Yokohama (JP)

(72) Inventors: **Daisuke Hachiri,** Yokohama (JP);
Satoshi Yoshimura, Yokohama (JP)

(73) Assignee: **JVCKENWOOD Corporation,**
Yokohama (JP)

(**) Term: **15 Years**

(21) Appl. No.: **29/751,064**

(22) Filed: **Sep. 18, 2020**

(51) **LOC (13) Cl.** **13-02**

(52) **U.S. Cl.**
USPC **D13/108; D3/294**

(58) **Field of Classification Search**
USPC D13/103, 107–110, 112, 118, 119, 120,
D13/122, 146, 184, 199; D3/294
CPC Y02E 60/12; H02J 7/025; H02J 7/0042;
H02J 7/0044; H02J 7/0045; H02J 7/0003;
H02J 7/0027; H02J 7/0013; H02J 7/0054;
H02J 7/00; H02J 2001/008; H02J 3/32;
H02J 3/008; H01F 38/14; H01R 13/6675;
H01M 2/1022; H01M 2/1055; H01M
10/44; H01M 10/46; H01M 10/425; B60L
11/182; B60L 11/1809; B60L 11/1861;
B60R 16/03

See application file for complete search history.

(56) **References Cited**

U.S. PATENT DOCUMENTS

D772,572 S *	11/2016	Palmborg	D3/294
D806,388 S *	1/2018	Akana	D3/294
D818,268 S *	5/2018	Akana	D3/294
D841,580 S *	2/2019	Bao	D13/108
D843,937 S *	3/2019	Xiao	D13/108
D864,110 S *	10/2019	Yoshimura	D13/108

D873,217 S *	1/2020	Zhang	D13/108
D878,048 S *	3/2020	Wang	D3/294
D881,810 S *	4/2020	Zhang	D13/108
D882,259 S *	4/2020	Liu	D3/269
D882,262 S *	4/2020	Zhang	D3/294
D886,453 S *	6/2020	Wright	D3/294
D886,454 S *	6/2020	Williamson	D3/294
D886,455 S *	6/2020	Williamson	D3/294
D887,351 S *	6/2020	Bonahoom	D13/108

(Continued)

Primary Examiner — Christy Nemeth

(74) *Attorney, Agent, or Firm* — Amin, Turocy & Watson,
LLP

(57) **CLAIM**

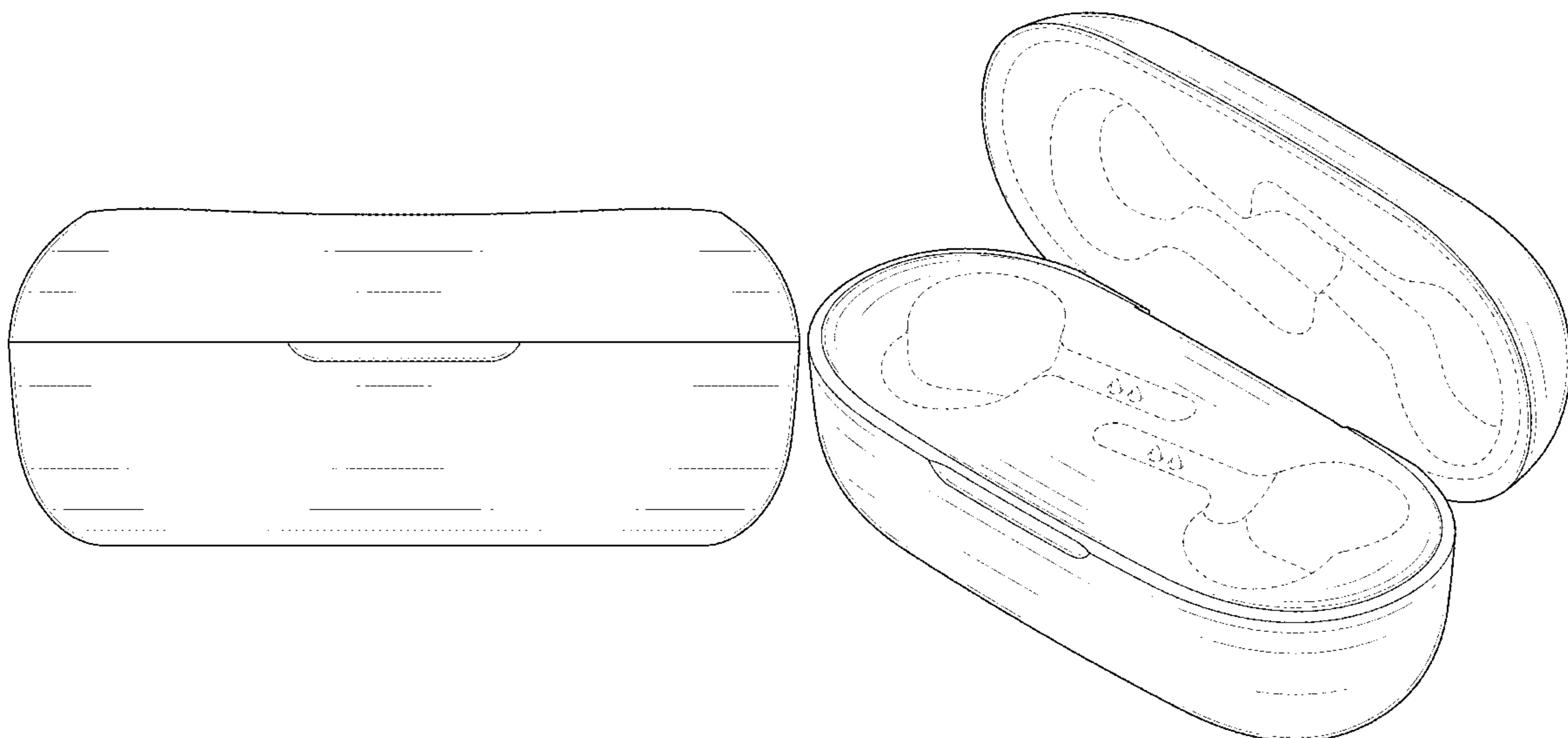
The ornamental design for a battery charger for earphone, as shown and described.

DESCRIPTION

FIG. 1 is a front right perspective view of a battery charger for earphone, with lid in a closed position;
FIG. 2 is a front elevation view thereof;
FIG. 3 is a rear elevation view thereof;
FIG. 4 is a top plan view thereof;
FIG. 5 is a bottom plan view thereof;
FIG. 6 is a right side elevation view thereof;
FIG. 7 is a left side elevation view thereof;
FIG. 8 is a front right perspective view of the battery charger for earphone, with lid in an open position;
FIG. 9 is a front left perspective view thereof;
FIG. 10 is a front elevation view thereof;
FIG. 11 is a rear elevation view thereof;
FIG. 12 is a top plan view thereof;
FIG. 13 is a bottom plan view thereof;
FIG. 14 is a right side elevation view thereof;
FIG. 15 is a left side elevation view thereof; and,
FIG. 16 is another front left perspective view thereof.

The broken lines shown in the drawings illustrate portions of the battery charger for earphone that form no part of the claimed design.

1 Claim, 16 Drawing Sheets



(56)

References Cited

U.S. PATENT DOCUMENTS

D888,664 S *	6/2020	Ma	D13/108	D922,315 S *	6/2021	Zhang	D13/108
D890,091 S *	7/2020	Cramer	D13/108	D922,946 S *	6/2021	Chen	D13/108
D893,184 S *	8/2020	Liu	D3/294	D924,798 S *	7/2021	Ando	D13/108
D893,185 S *	8/2020	Liu	D3/294	D925,445 S *	7/2021	Bennett	D13/108
D901,382 S *	11/2020	Zhang	D13/108	D927,417 S *	8/2021	Sretovic	D13/108
D902,589 S *	11/2020	Li	D3/295	D930,361 S *	9/2021	Jacobs	D3/294
D906,238 S *	12/2020	Zhang	D13/108	D931,206 S *	9/2021	Briggs	D13/108
D908,084 S *	1/2021	He	D13/108	D931,212 S *	9/2021	Briggs	D13/108
D908,617 S *	1/2021	Briggs	D13/108	D932,427 S *	10/2021	Schoeck	D13/108
D911,028 S *	2/2021	Lee	D3/294	D932,472 S *	10/2021	Wang	D14/223
D911,274 S *	2/2021	Ding	D13/108	D933,004 S *	10/2021	Li	D13/108
D912,622 S *	3/2021	Zhou	D13/108	D933,006 S *	10/2021	Zhao	D13/108
D913,223 S *	3/2021	Li	D13/108	D933,595 S *	10/2021	Geng	D13/108
D917,389 S *	4/2021	Ye	D13/108	D933,601 S *	10/2021	Yoneyama	D13/108
D918,138 S *	5/2021	Ma	D13/108	D933,602 S *	10/2021	Zhang	D13/108
D919,293 S *	5/2021	Fang	D3/295	D935,772 S *	11/2021	Chen	D3/294
D919,294 S *	5/2021	Fang	D3/295	D936,040 S *	11/2021	Zhao	D14/223
D919,565 S *	5/2021	Liu	D13/108	D936,358 S *	11/2021	Lu	D3/273
D920,235 S *	5/2021	Liu	D13/108	D936,579 S *	11/2021	Wang	D13/108
					2008/0090622 A1 *	4/2008	Kim	H04R 1/1091 455/573
					2020/0084532 A1 *	3/2020	Lo	H02J 7/342

* cited by examiner

FIG. 1

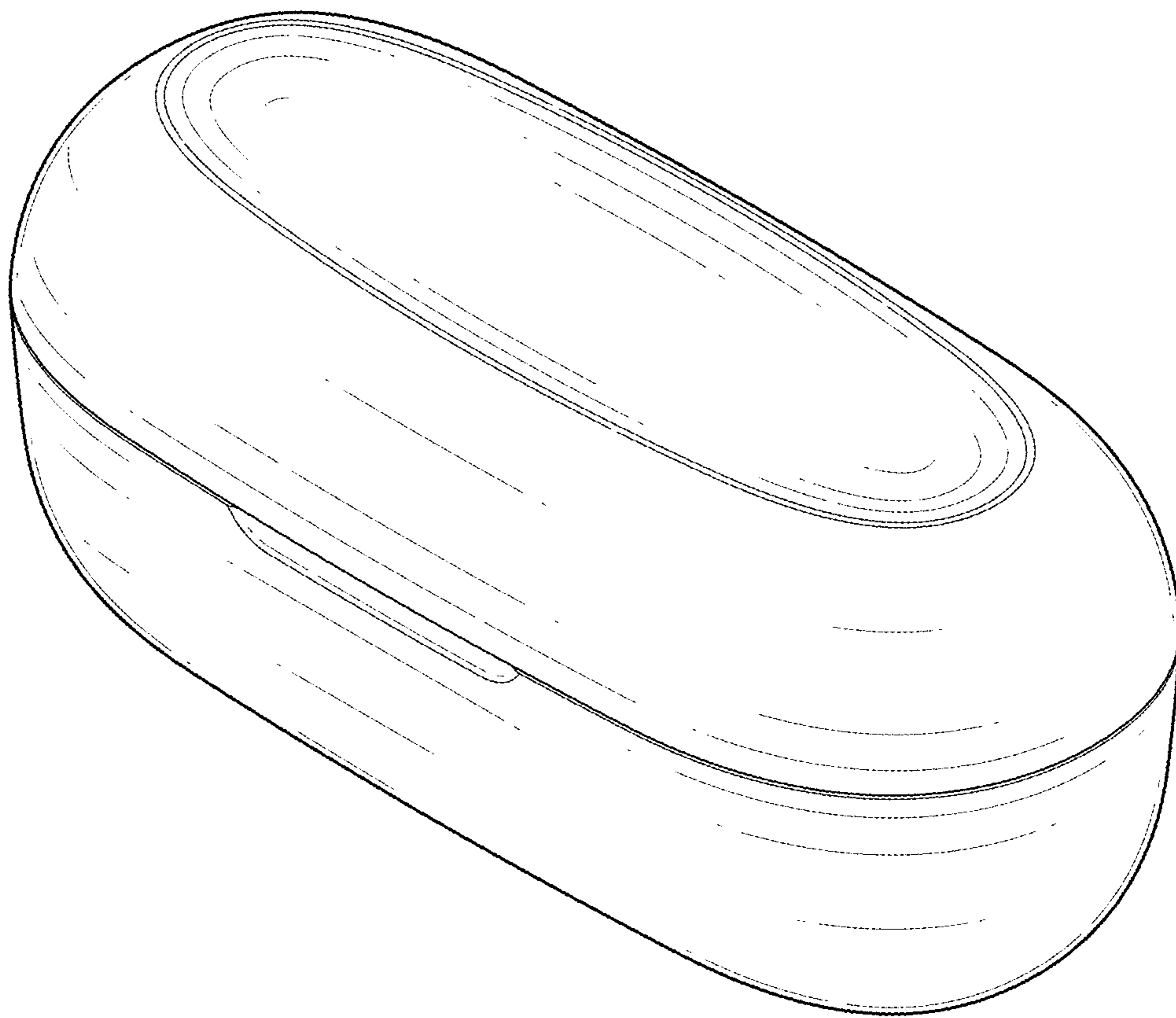


FIG. 2

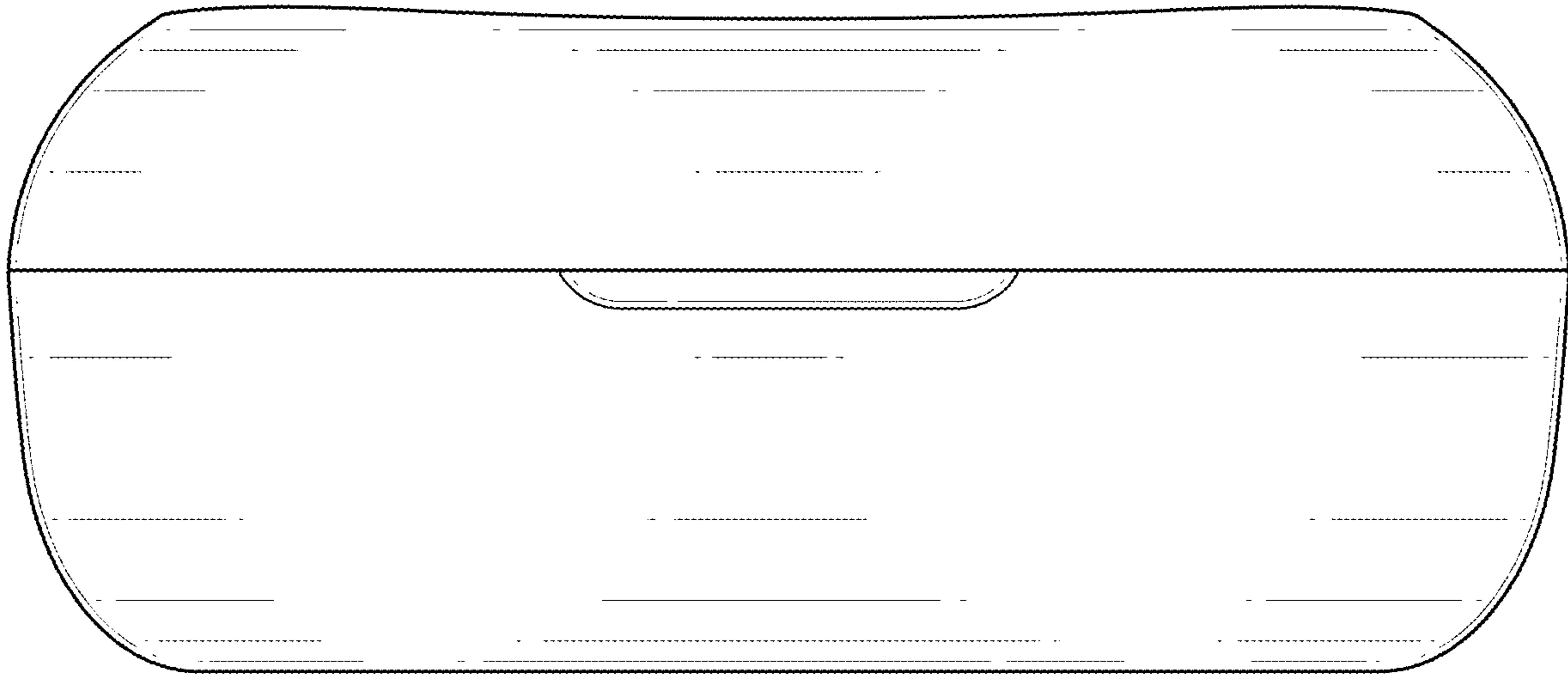


FIG. 3

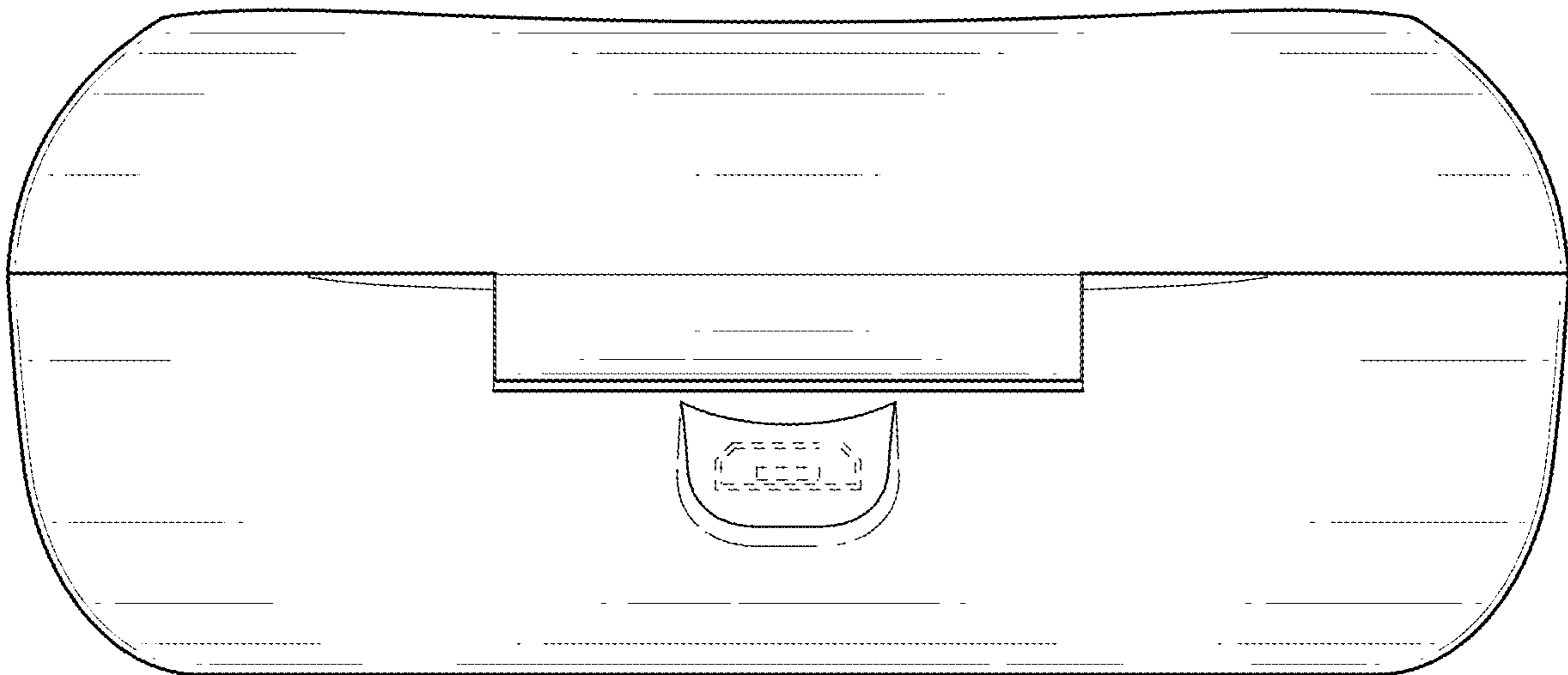


FIG. 4

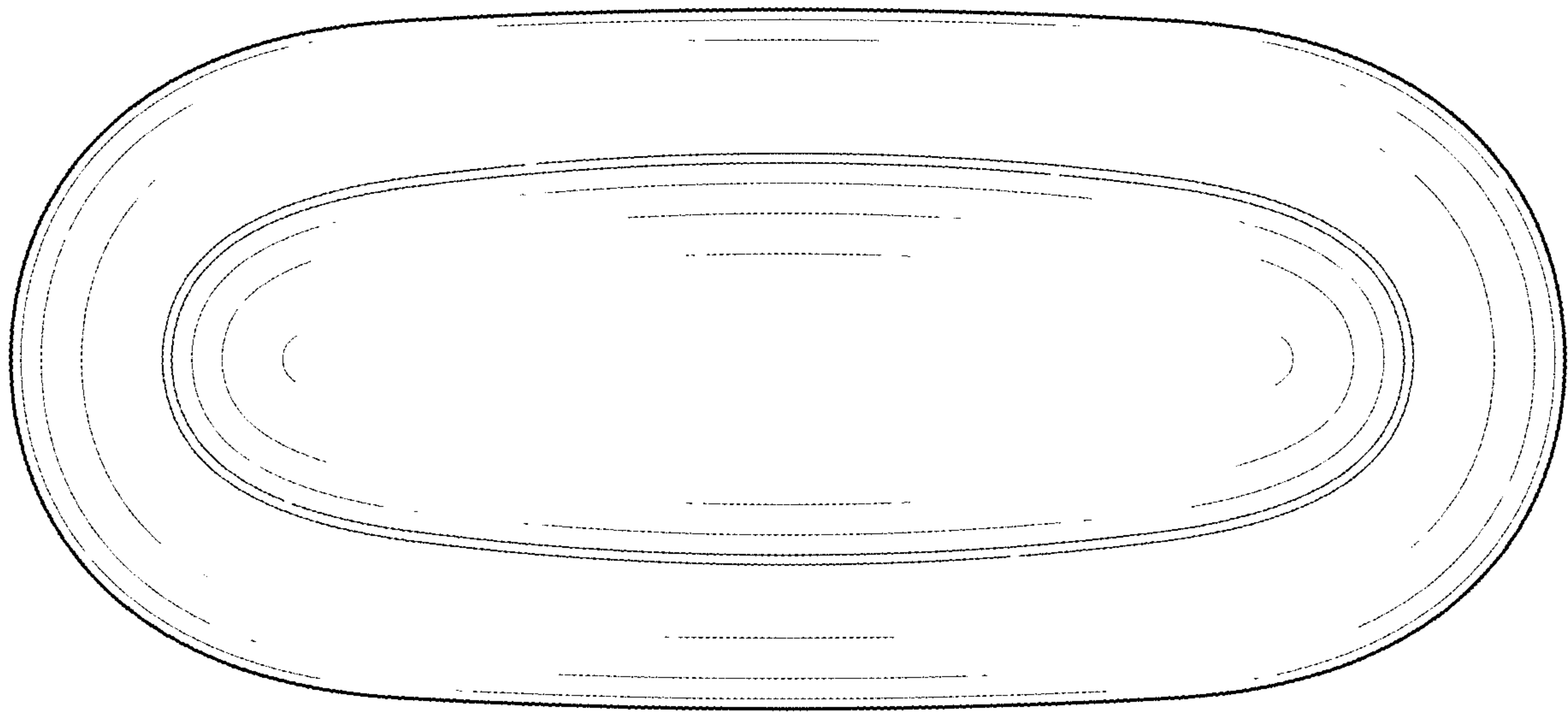


FIG. 5

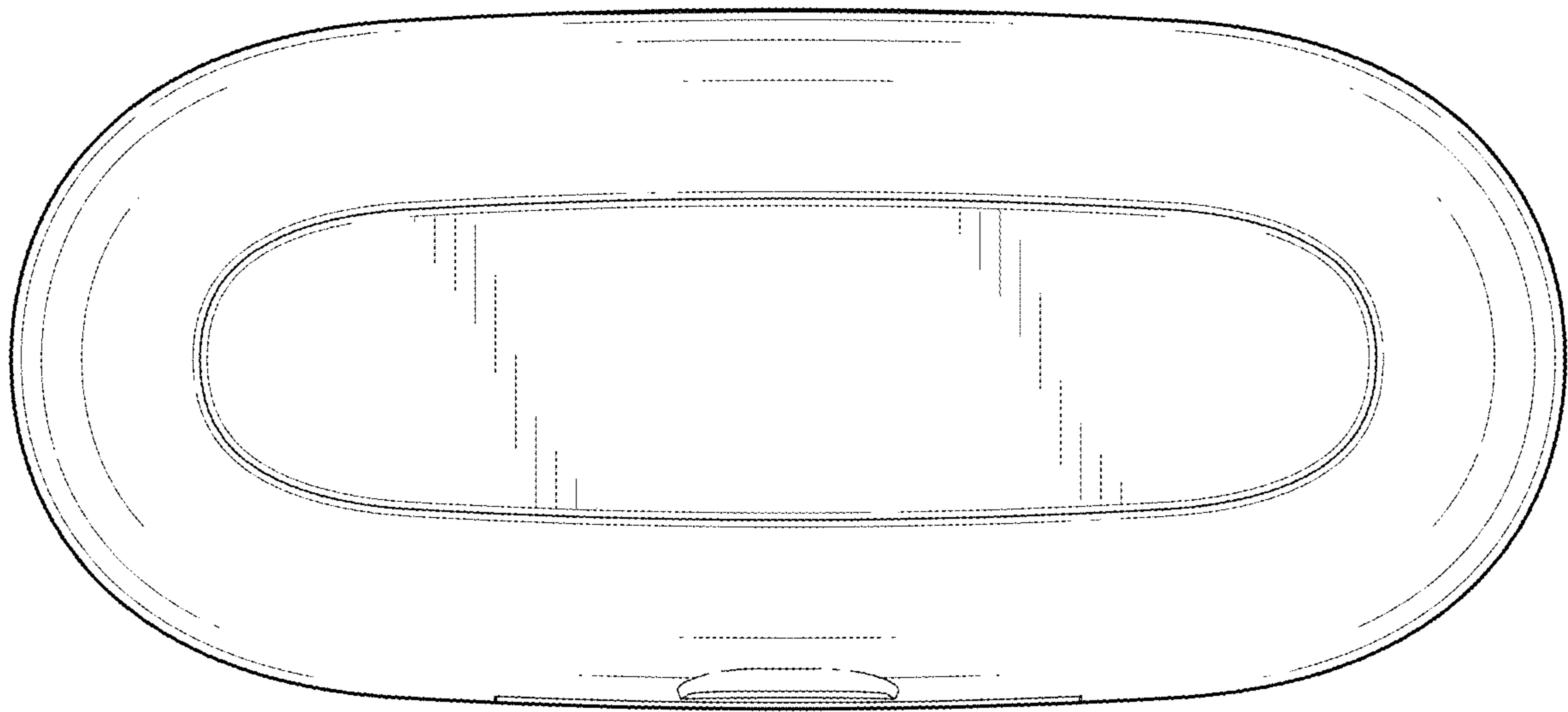


FIG. 6

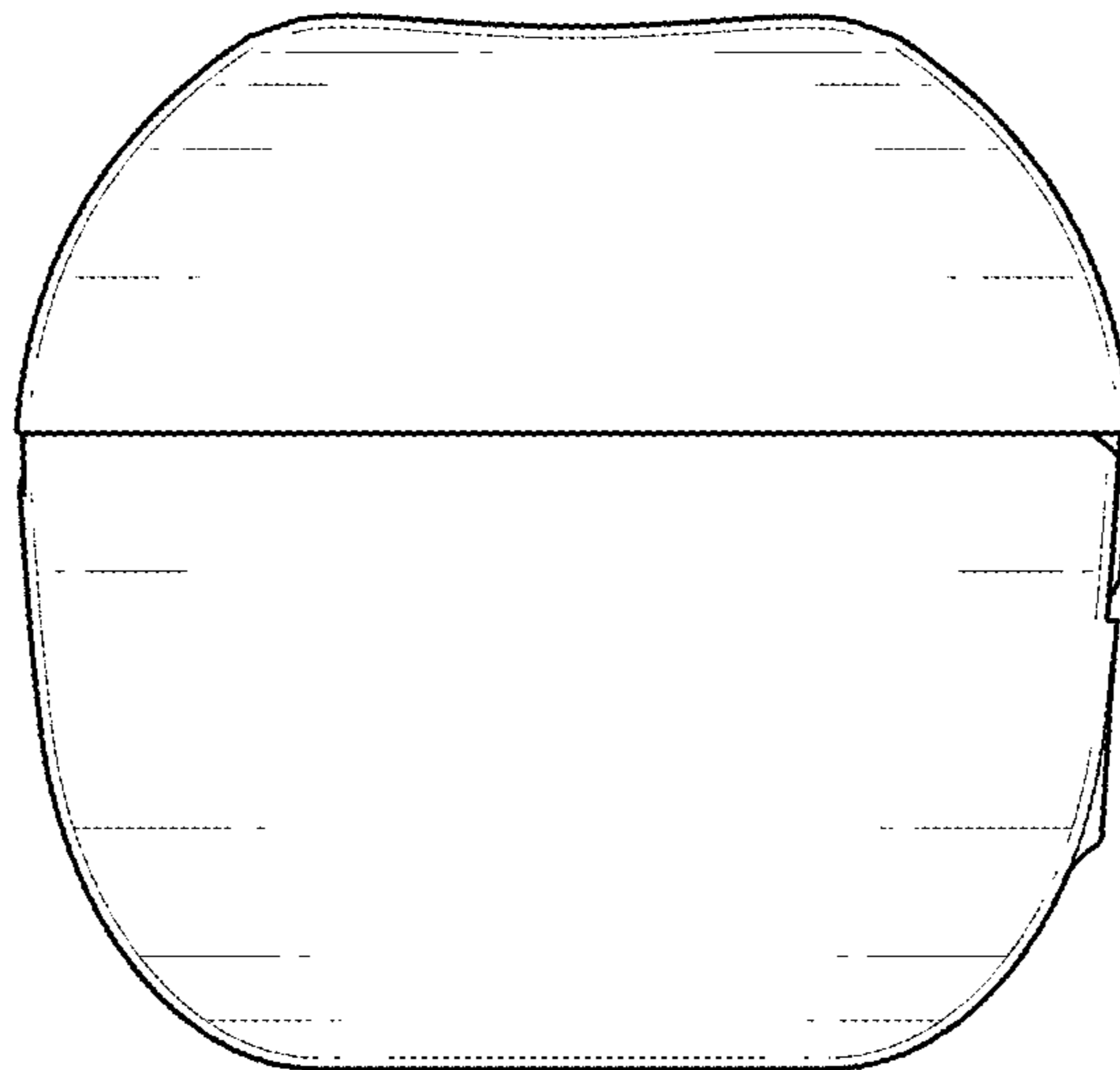


FIG. 7

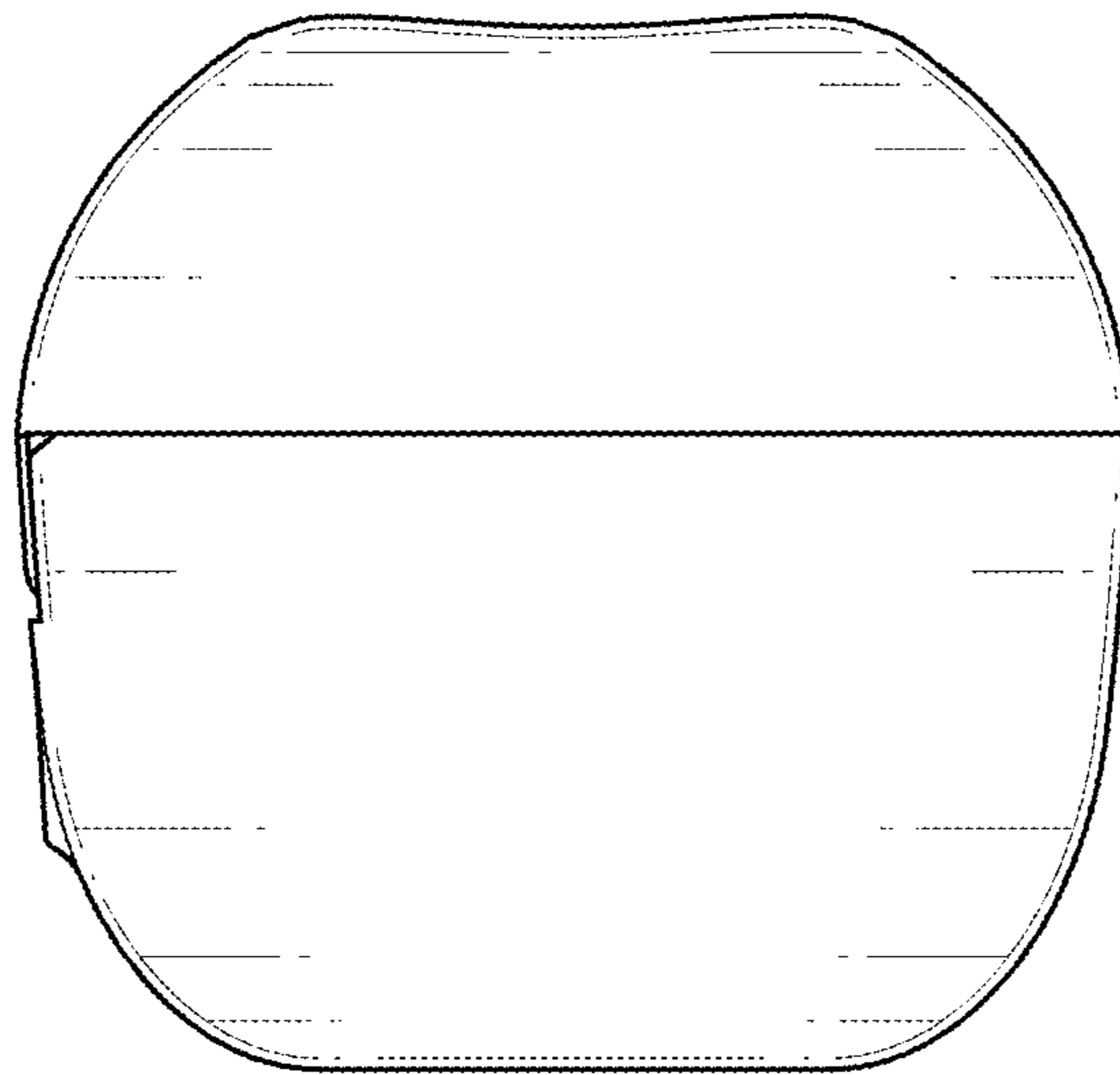


FIG. 8

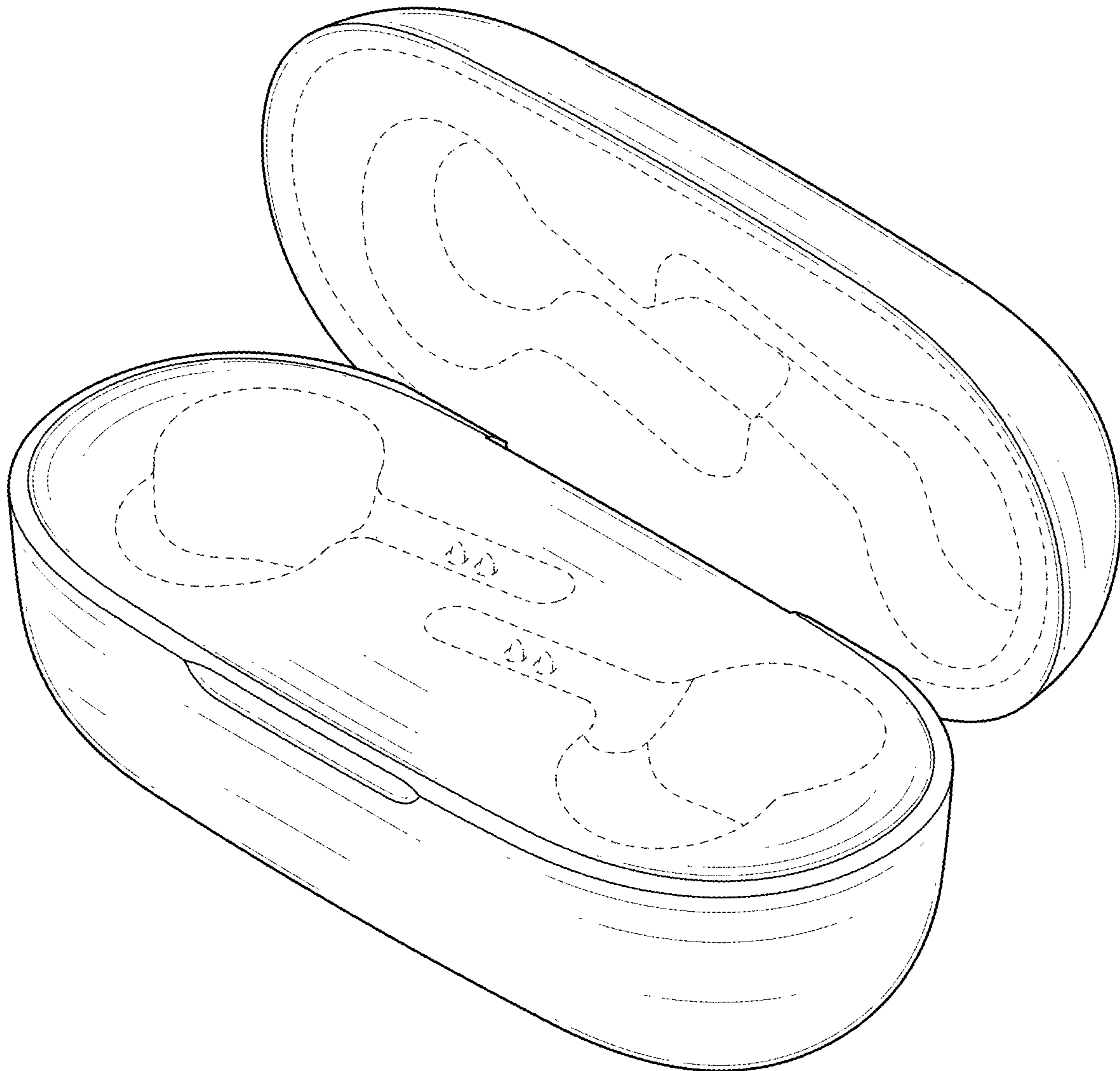


FIG. 9

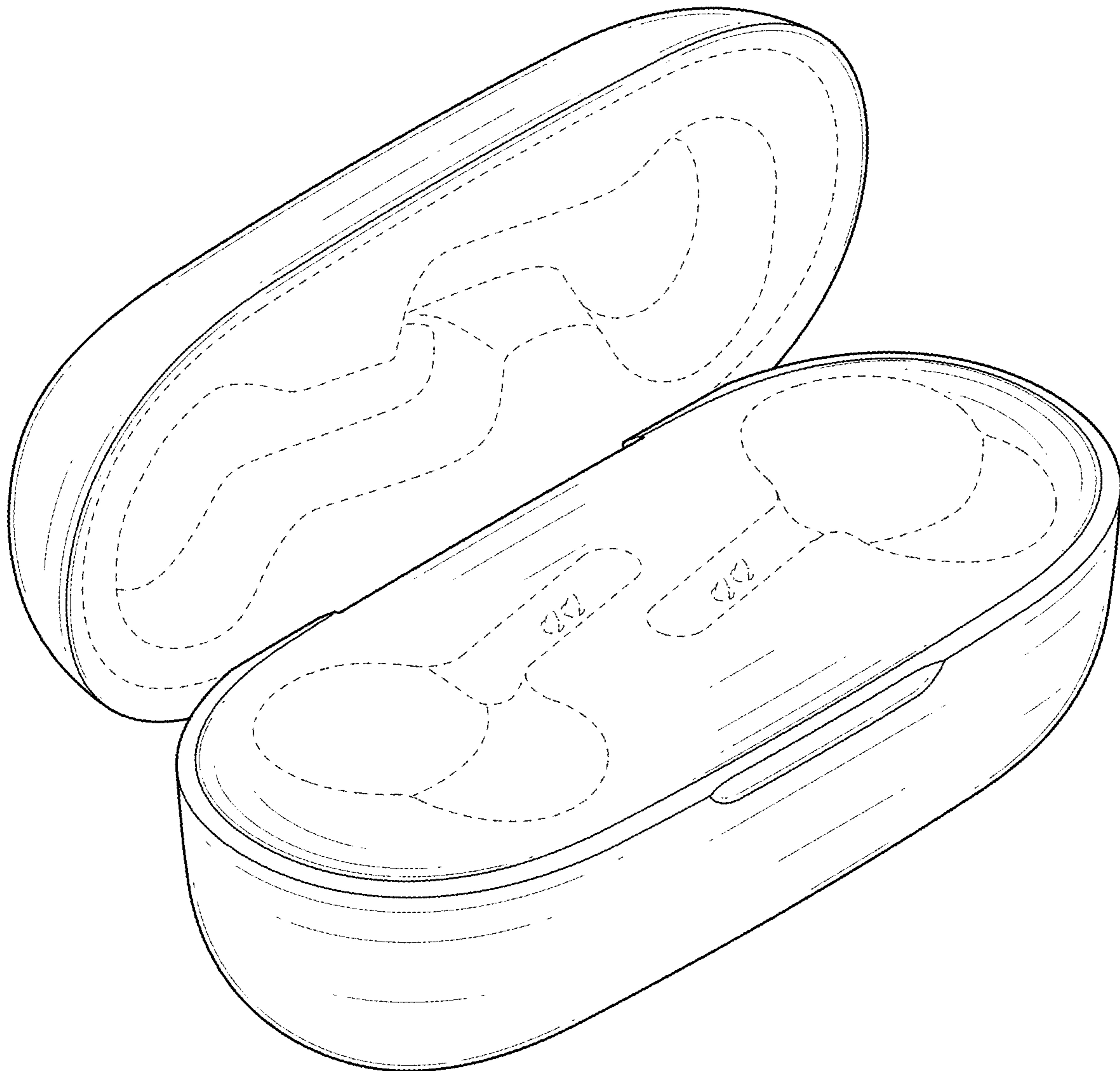


FIG. 10

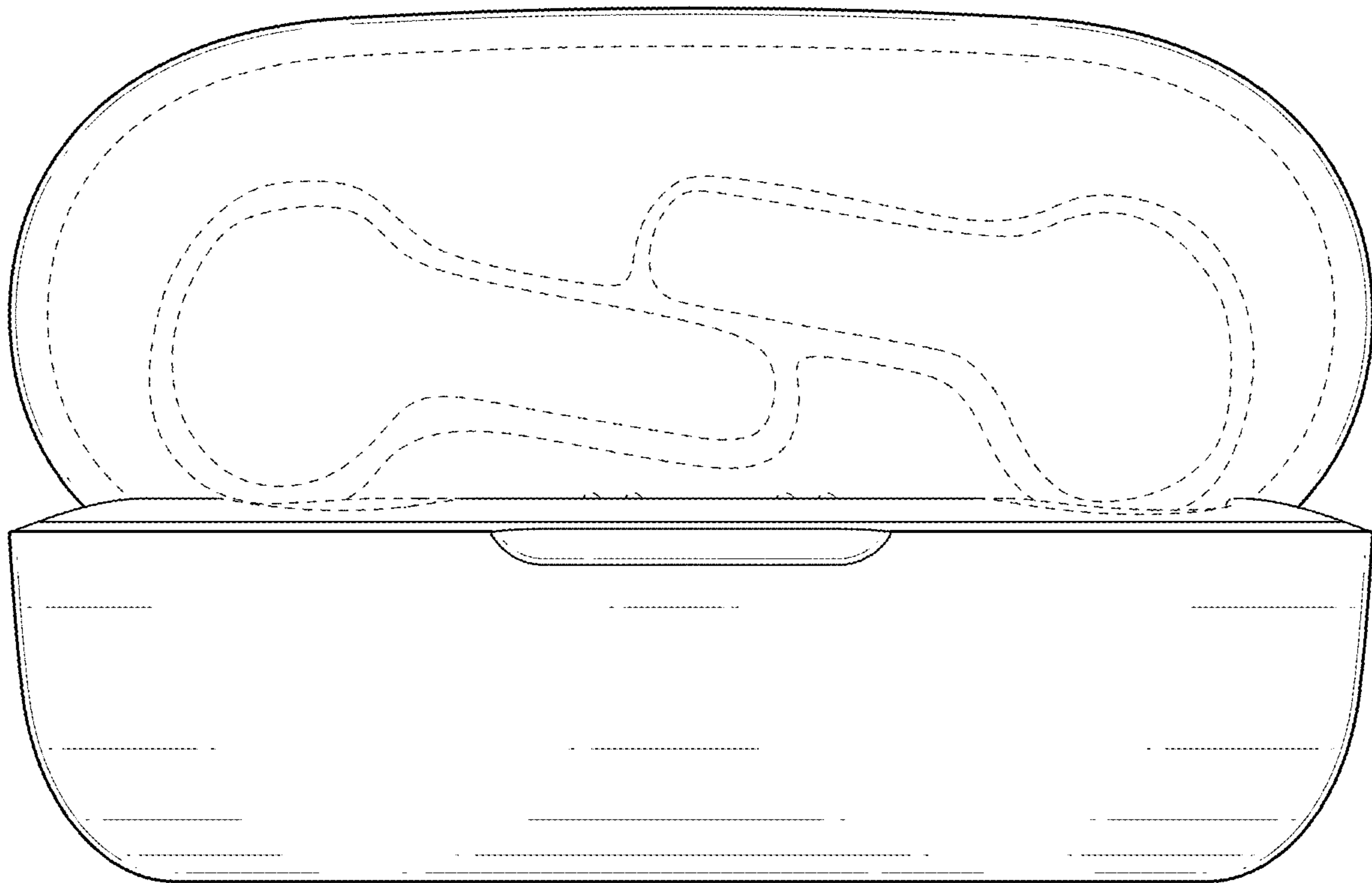


FIG. 11

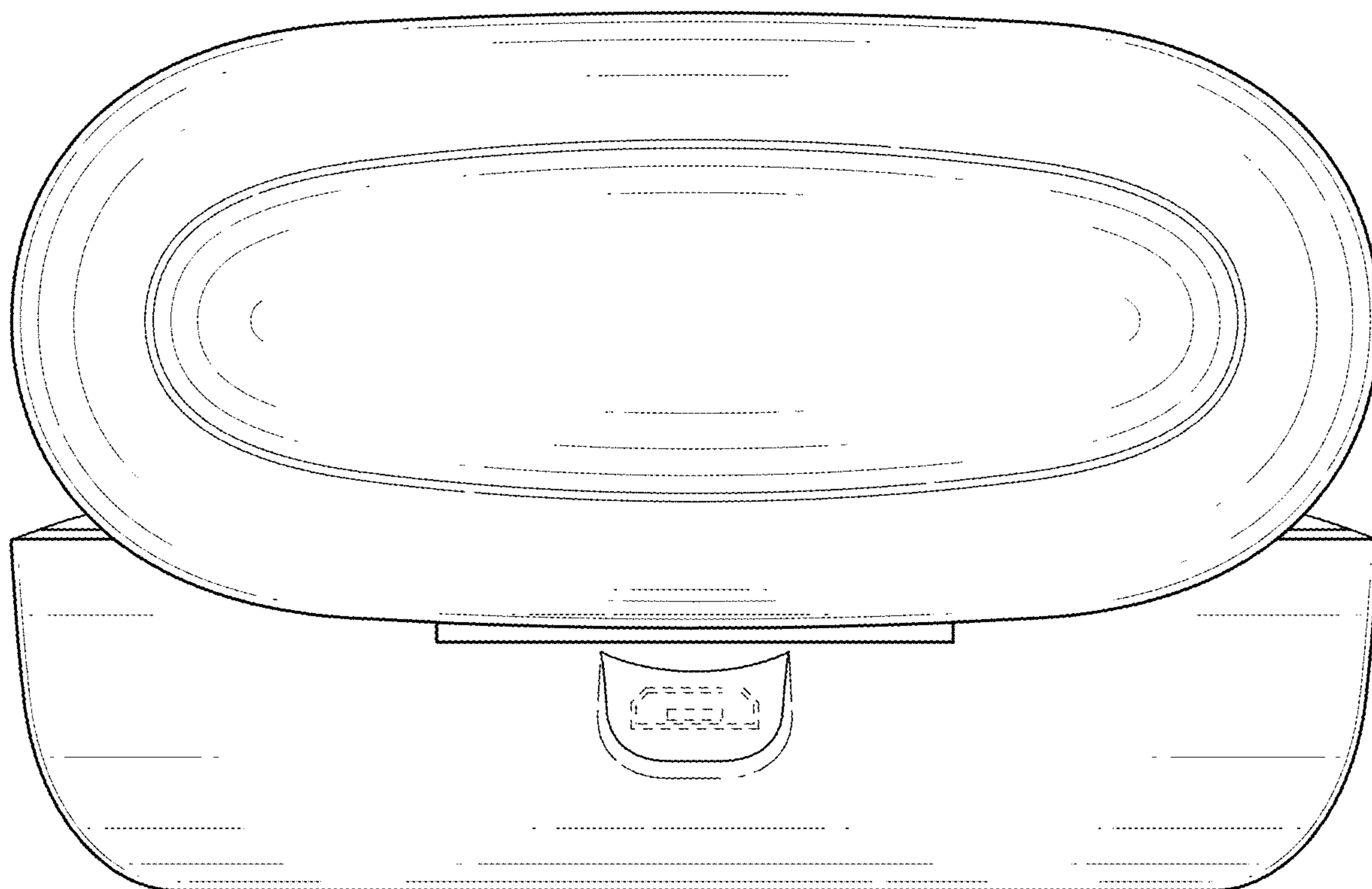


FIG. 12

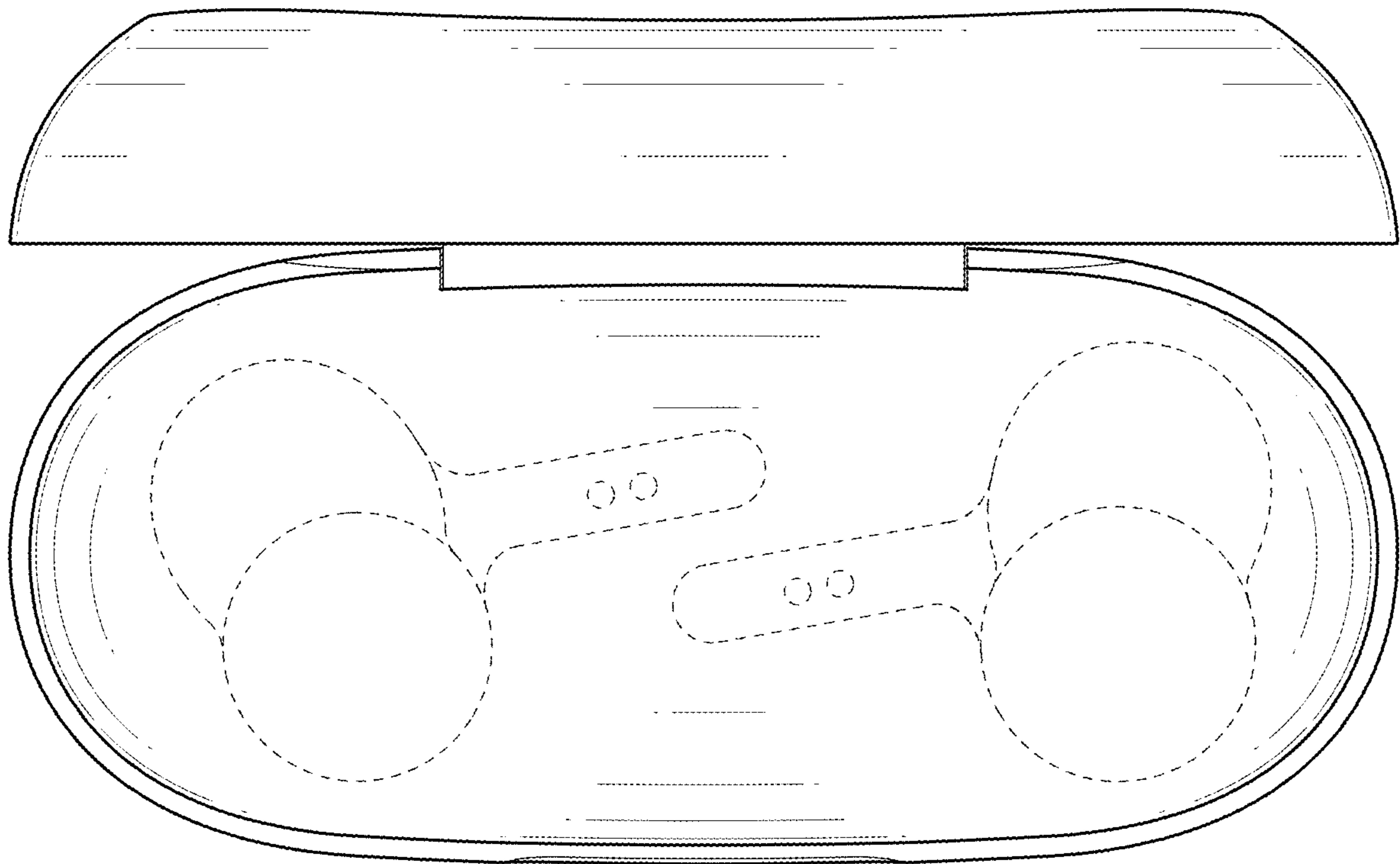


FIG. 13

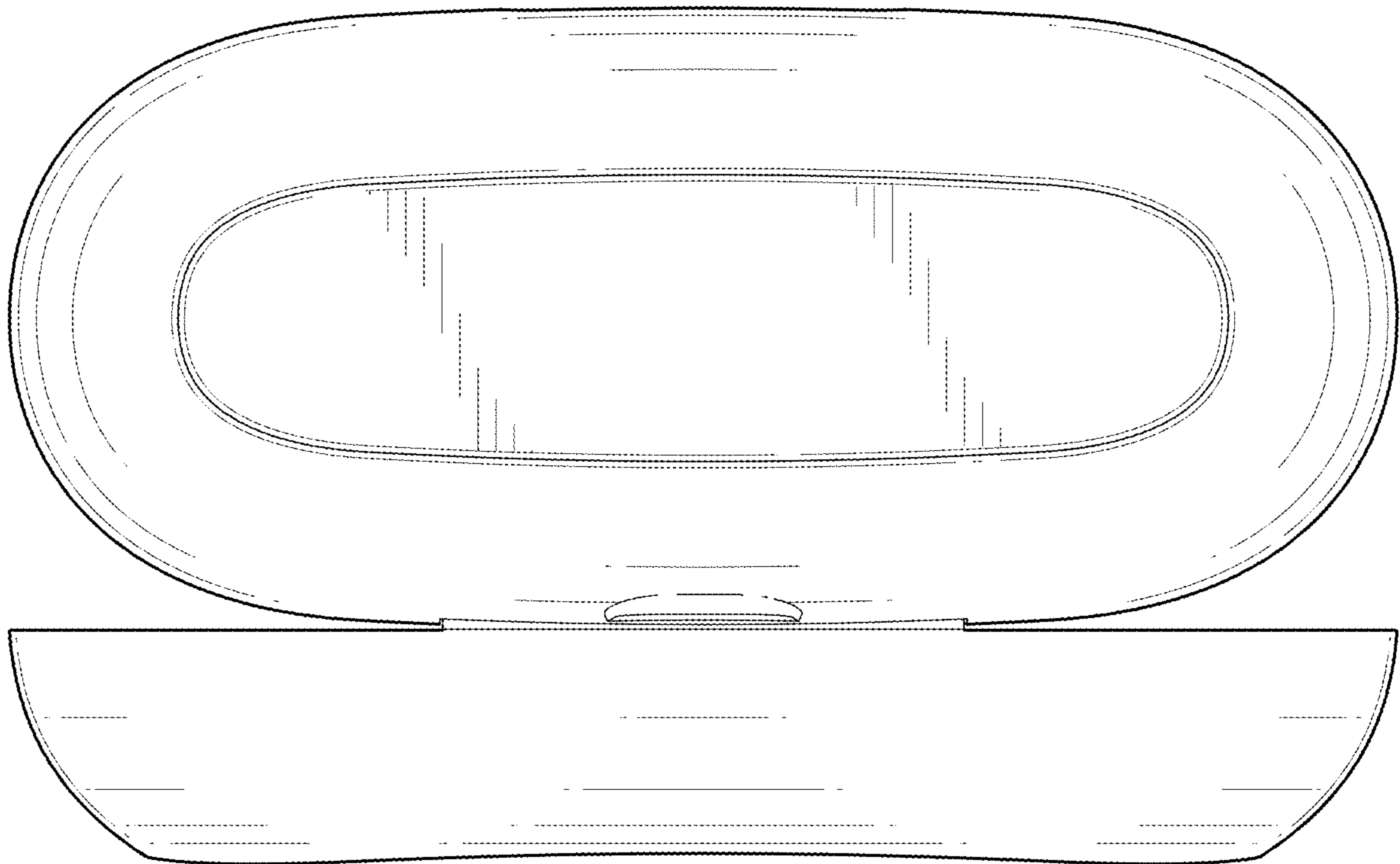


FIG. 14

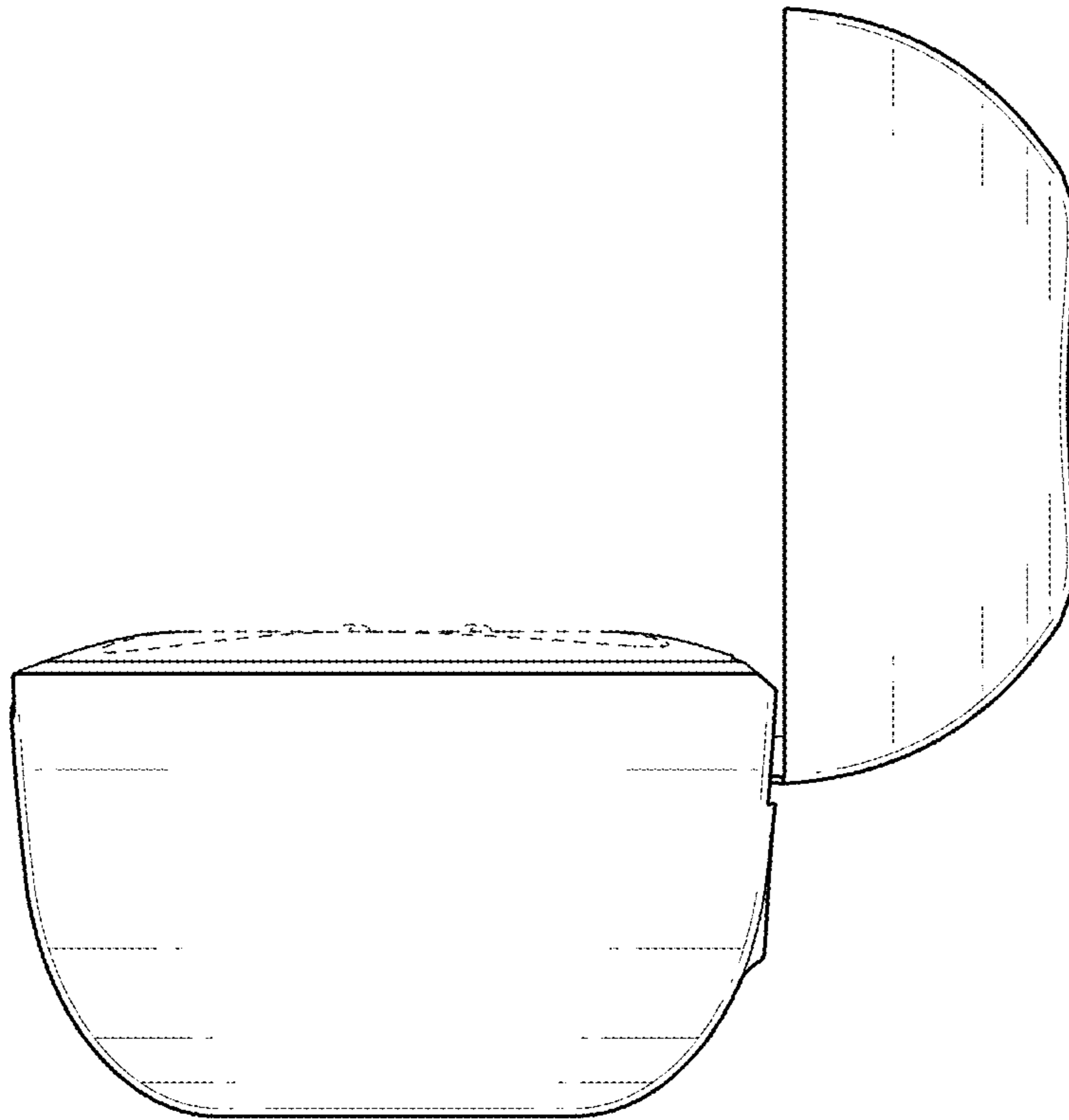


FIG. 15

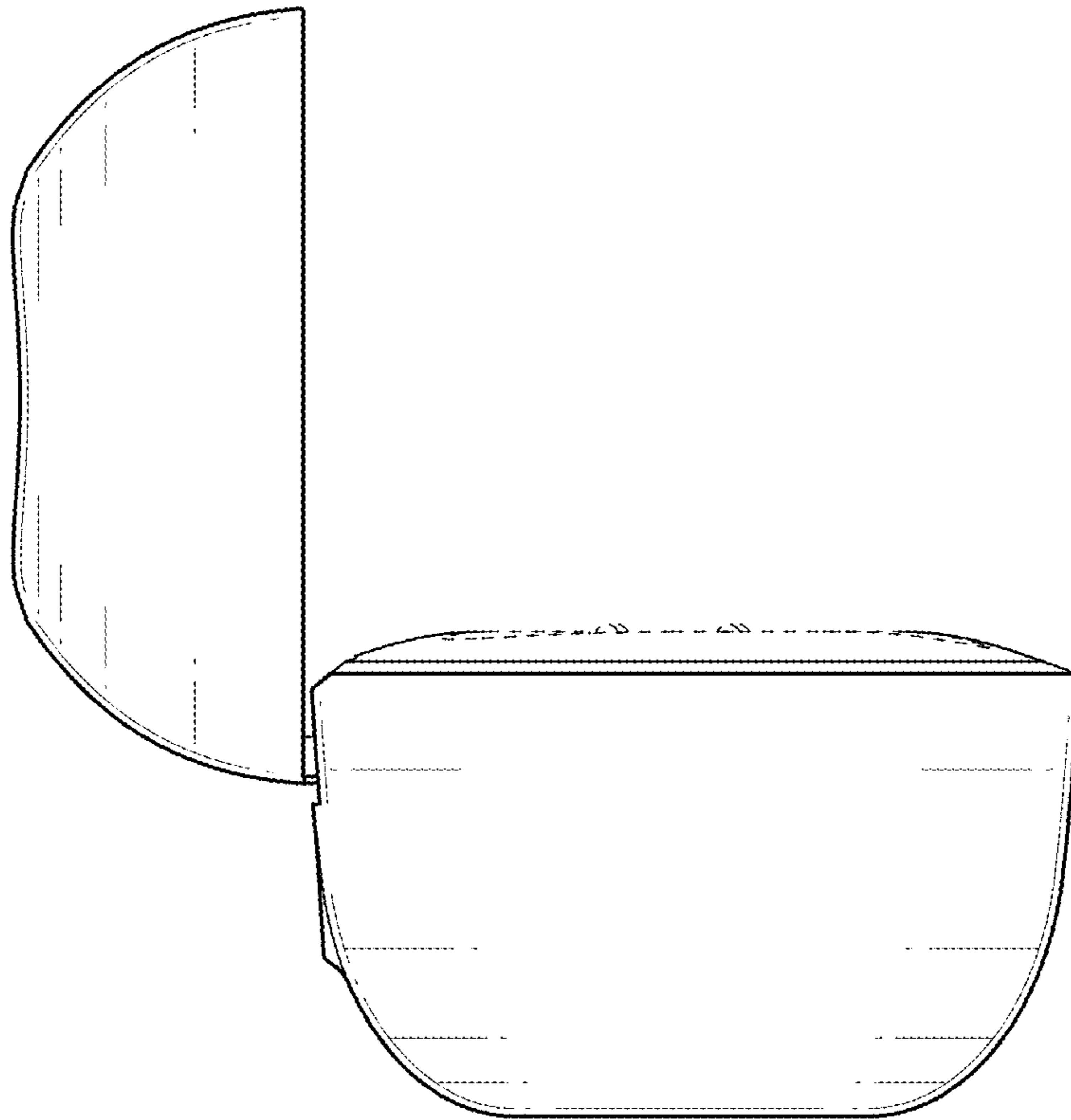


FIG. 16

