



US00D949785S

(12) **United States Design Patent**
Wu et al.

(10) **Patent No.:** **US D949,785 S**
(45) **Date of Patent:** **** Apr. 26, 2022**

(54) **CHARGING CASE FOR WIRELESS
EARPHONES**

D822,374 S * 7/2018 Hung D3/201
D843,938 S * 3/2019 Park D13/108
D870,659 S * 12/2019 Liao D13/108

(Continued)

(71) Applicant: **SHENZHEN GRANDSUN
ELECTRONIC CO., LTD.**,
Guangdong (CN)

OTHER PUBLICATIONS

(72) Inventors: **Haiquan Wu**, Shenzhen (CN); **Huakun
Zhang**, Shenzhen (CN); **Xin Yu**,
Shenzhen (CN)

“Lenovo True Wireless Earbuds”. Found online Jul. 27, 2021 at
amazon.com. Reference dated Nov. 8, 2020. Retrieved from [https://
www.amazon.com/Lenovo-Wireless-Bluetooth-Waterproof-
Microphone/dp/B08F9CDKPX](https://www.amazon.com/Lenovo-Wireless-Bluetooth-Waterproof-Microphone/dp/B08F9CDKPX) (Year: 2020).*

(Continued)

(73) Assignee: **Shenzhen Grandsun Electronic Co.,
LTD.**, Shenzhen (CN)

Primary Examiner — Kendra Leslie Hamilton

Assistant Examiner — Amanda Christensen

(**) Term: **15 Years**

(74) *Attorney, Agent, or Firm* — Robert L. Stearns;
Dickinson Wright, PLLC

(21) Appl. No.: **29/747,944**

(22) Filed: **Aug. 26, 2020**

(57) **CLAIM**

(30) **Foreign Application Priority Data**

Mar. 20, 2020 (CN) 202030097418.5

The ornamental design for a charging case for wireless
earphones, as shown and described.

(51) **LOC (13) Cl.** **13-02**

DESCRIPTION

(52) **U.S. Cl.**
USPC **D13/108**; D3/298

(58) **Field of Classification Search**
USPC D13/103, 107, 108, 118, 119, 184;
D3/201, 208, 218, 273, 274, 294, 295,
D3/298; D9/414, 420, 423; D14/223,
D14/251, 432, 433
CPC .. H02J 7/0044; A45C 2011/001; B65D 43/16;
H04R 1/1025
See application file for complete search history.

FIG. 1 is a top, front, right side perspective view of a
charging case for wireless earphones, shown open in a first
configuration;
FIG. 2 is a top, front, left side perspective view of the
charging case for wireless earphones of FIG. 1, shown
closed in a second configuration;
FIG. 3 is a bottom, rear, right side perspective view thereof;
FIG. 4 is a front elevation view thereof;
FIG. 5 is a rear elevation view thereof;
FIG. 6 is a left side elevation view thereof;
FIG. 7 is a right side elevation view thereof;
FIG. 8 is a top plan view thereof; and,
FIG. 9 is a bottom plan view thereof.

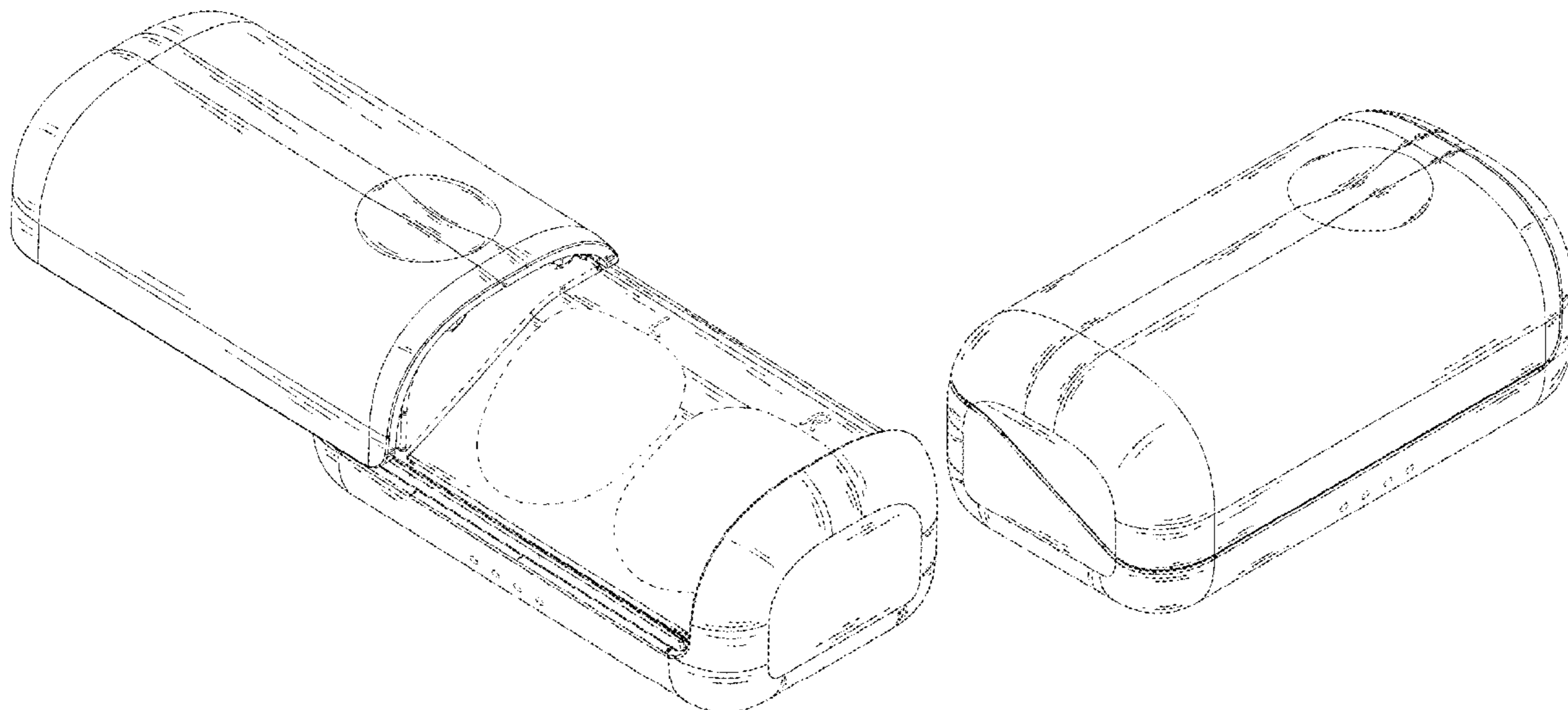
The broken lines in the figures depict portions of the
charging case for wireless earphones that form no part of the
claimed design.

(56) **References Cited**

U.S. PATENT DOCUMENTS

D645,817 S * 9/2011 Sasada D13/108
D772,840 S * 11/2016 Forslund D14/205
D775,414 S * 12/2016 Ampolini D27/186
D791,077 S * 7/2017 Tsou D13/108
D791,479 S * 7/2017 Son D3/298

1 Claim, 9 Drawing Sheets



(56)

References Cited

U.S. PATENT DOCUMENTS

D901,178 S * 11/2020 Kim D3/298
2017/0119044 A1 * 5/2017 Oligschlaeger B65D 25/10
2017/0245039 A1 * 8/2017 Chen H01M 10/36
2018/0014436 A1 * 1/2018 Milevski H05K 9/0086
2019/0327550 A1 * 10/2019 Linden H02J 7/0044

OTHER PUBLICATIONS

“Bragi’s Headphone”. Found online Jul. 26, 2021 at 9to5mac.com. Reference dated Dec. 2, 2016. Retrieved from <https://9to5mac.com/2016/12/02/bragi-the-headphone-review-apple-airpods/>. (Year: 2016).*
“Jam Transit Ultra Wireless Earbuds”. Found online Jul. 23, 2021 at youtube.com. Reference dated Jun. 17, 2017. Retrieved from https://www.youtube.com/watch?v=zTFZ_Z3co3U. (Year: 2017).*

* cited by examiner

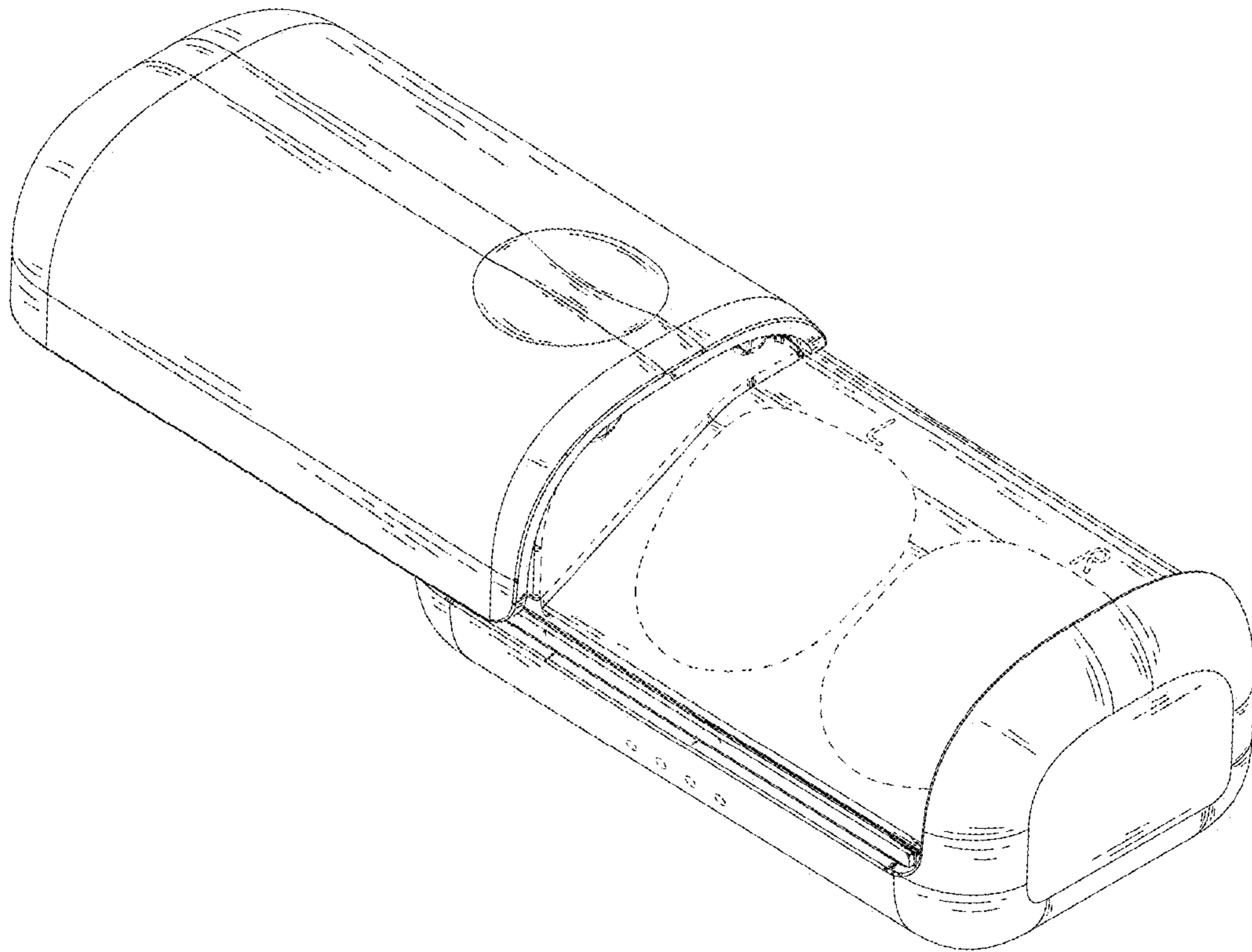


FIG. 1

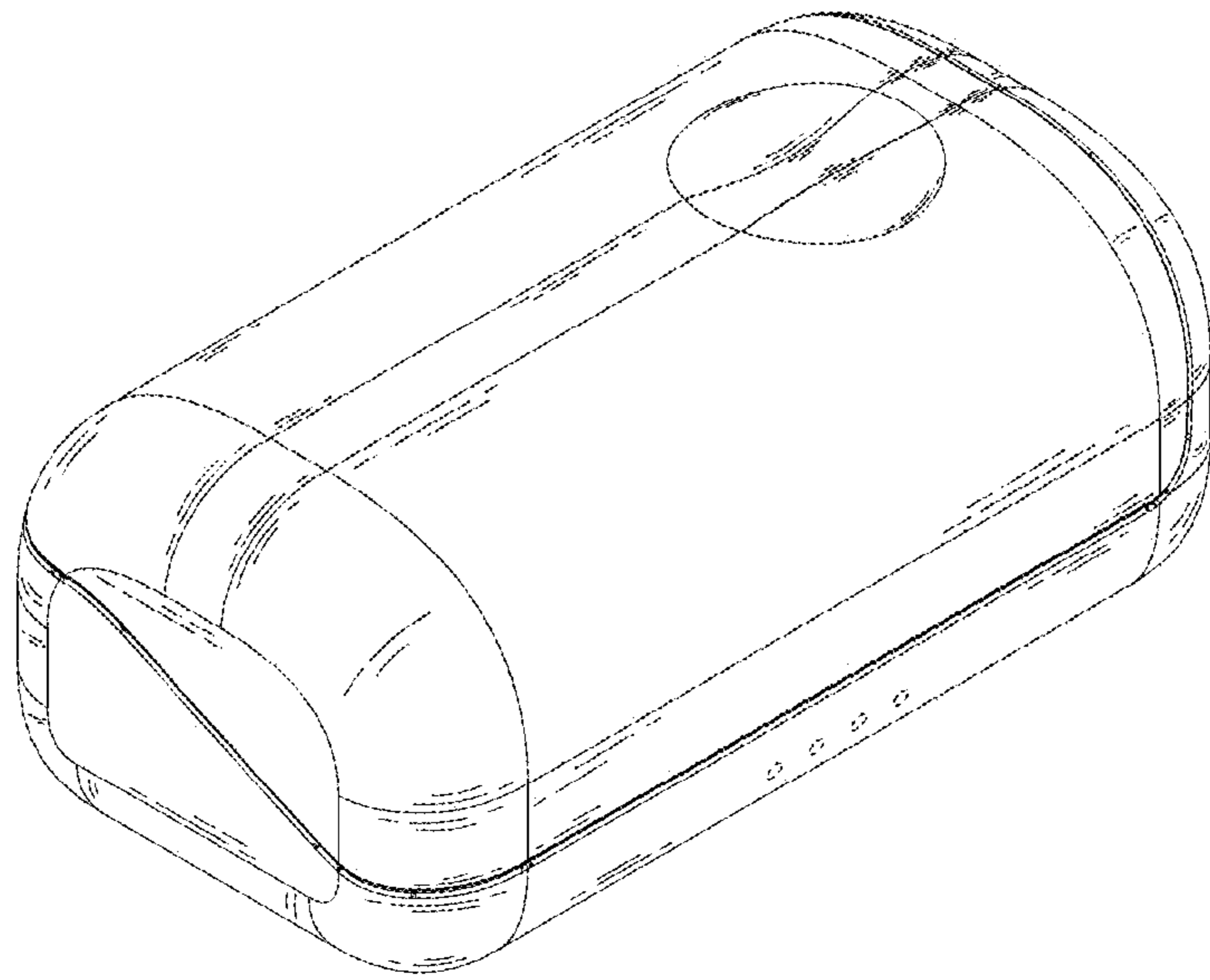


FIG. 2

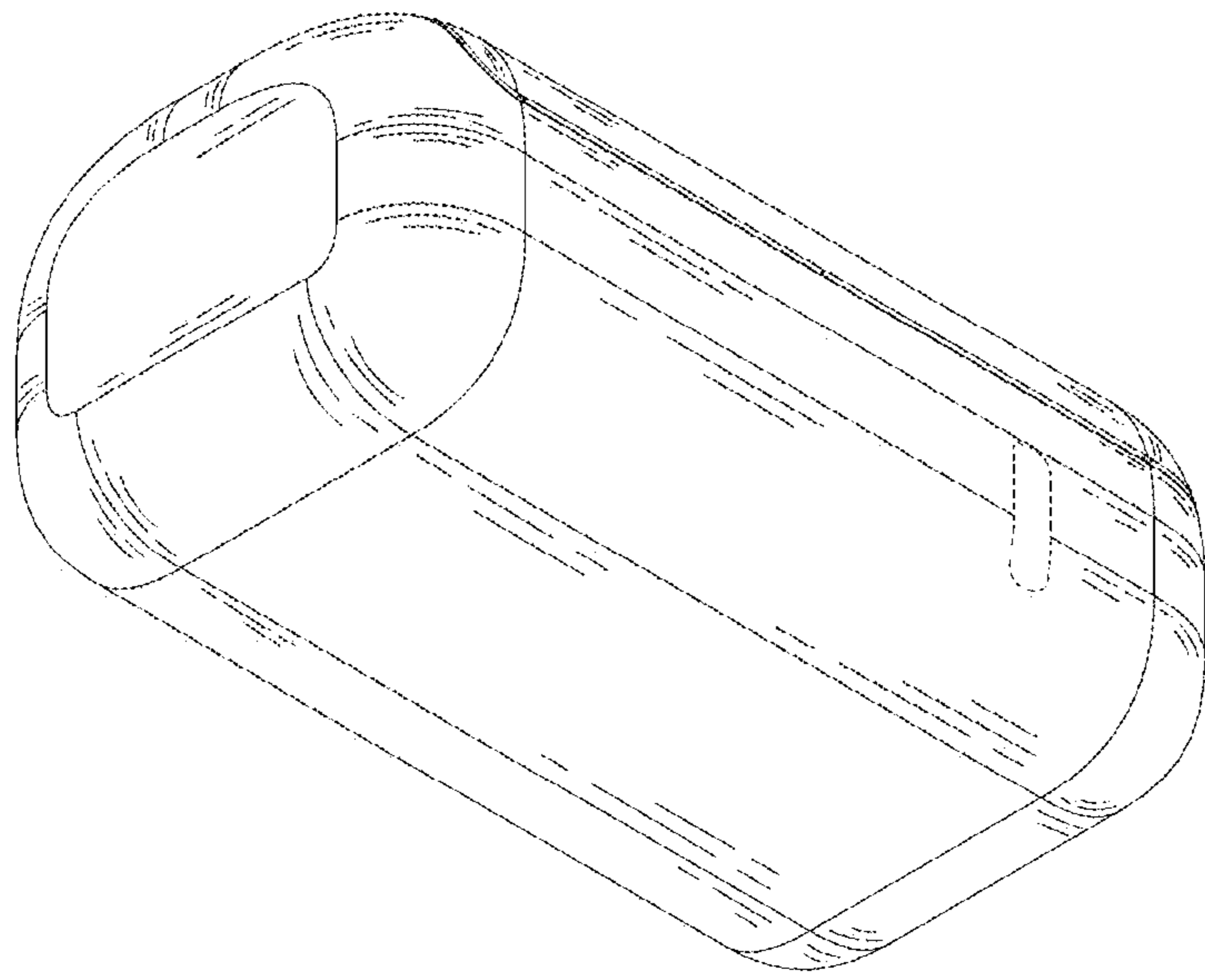


FIG. 3

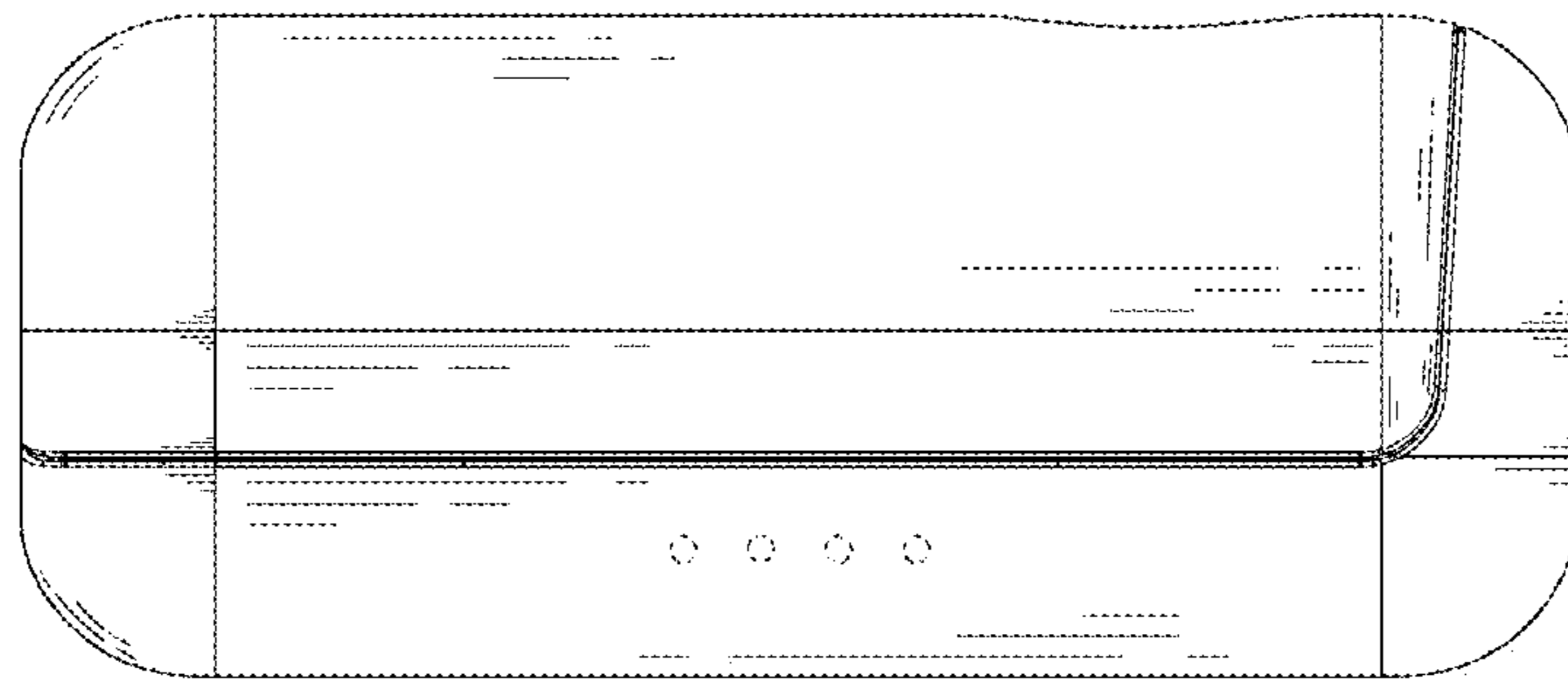


FIG. 4

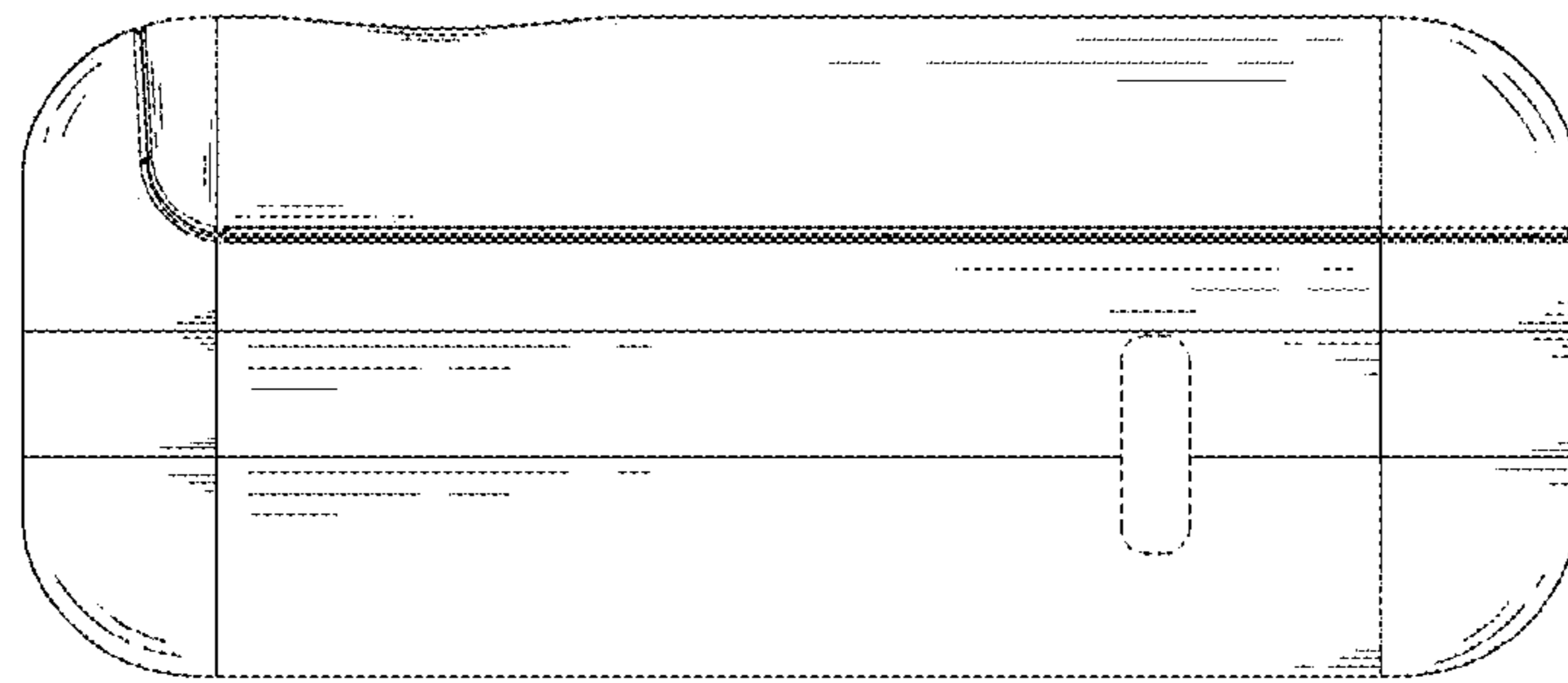


FIG. 5

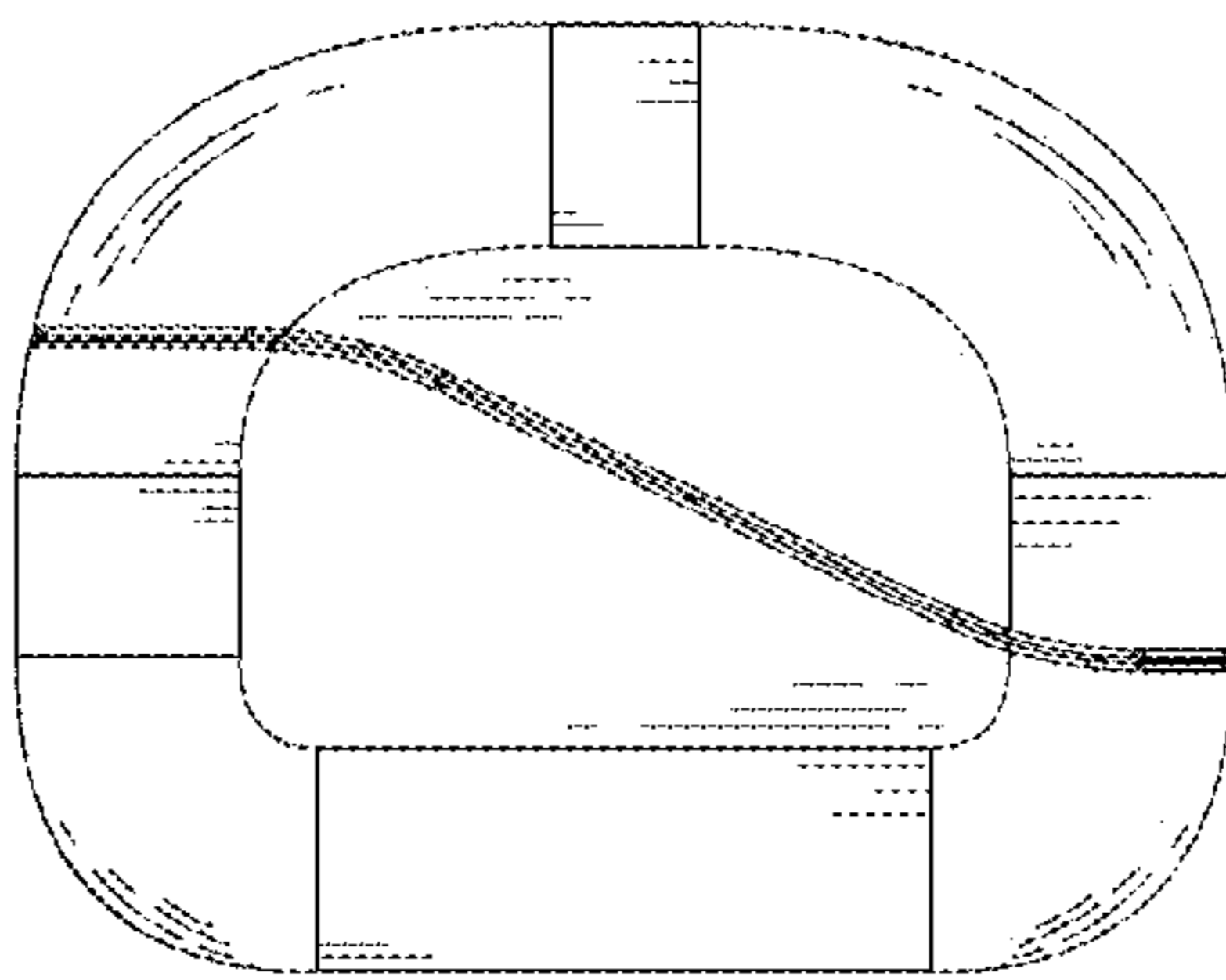


FIG. 6

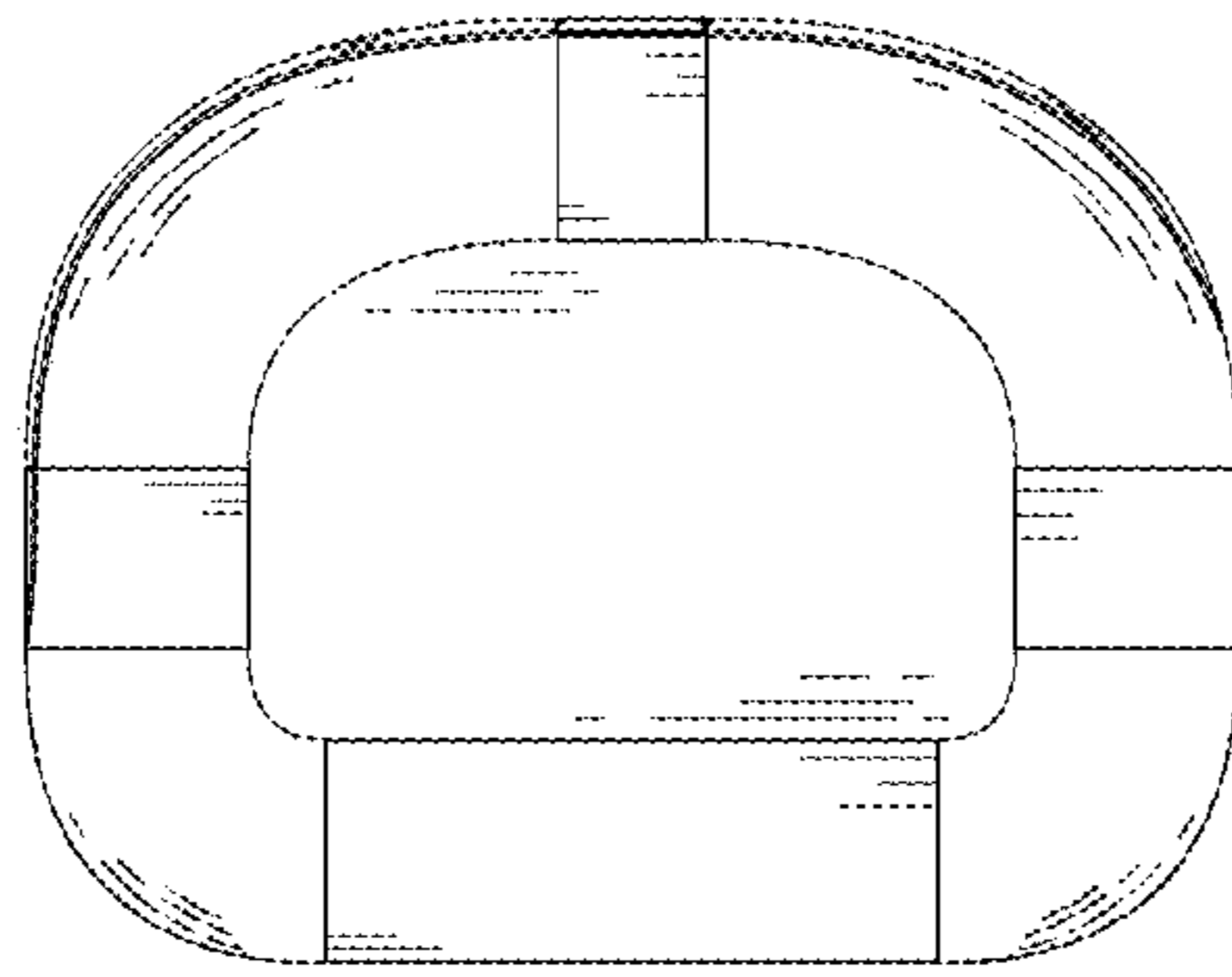


FIG. 7

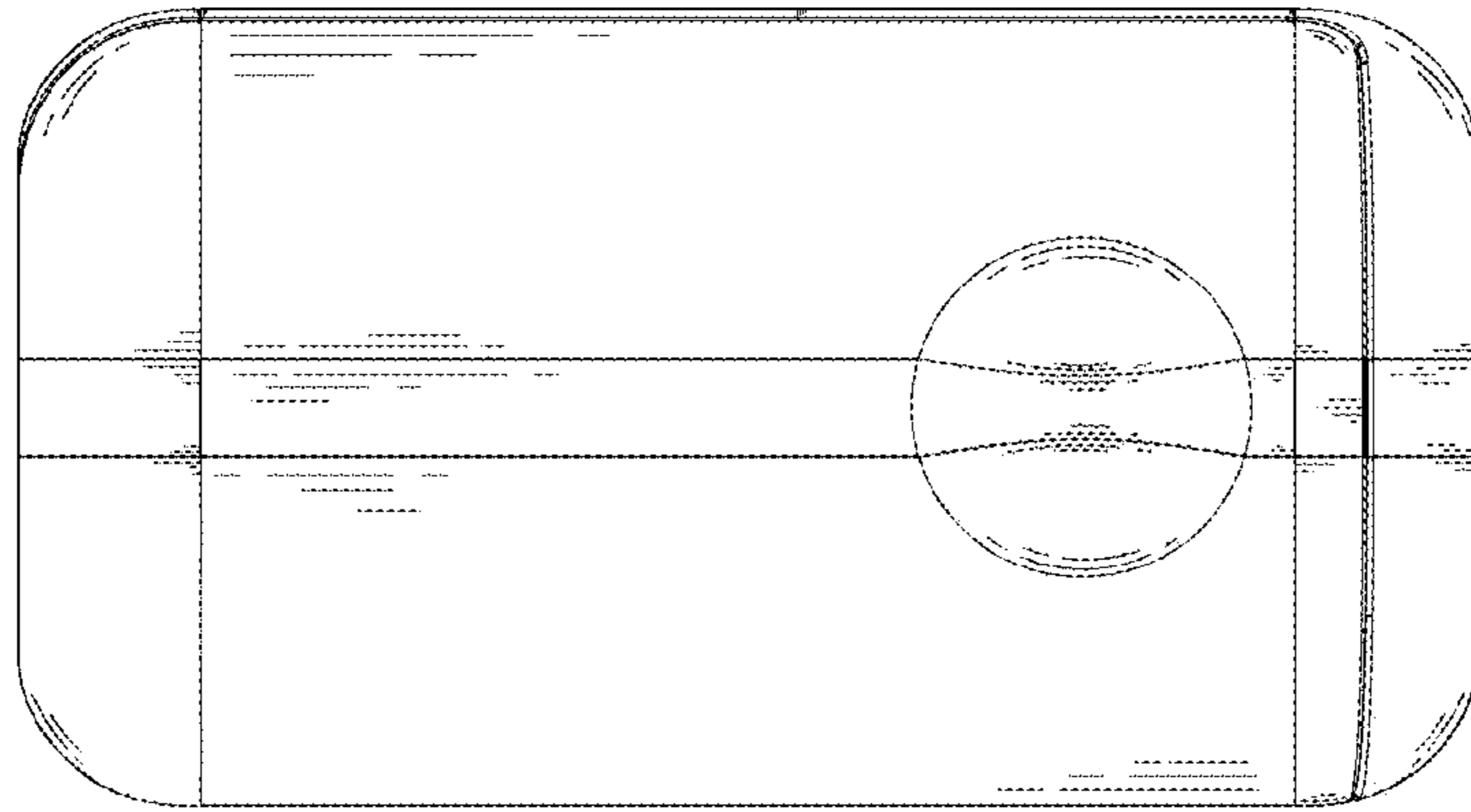


FIG. 8

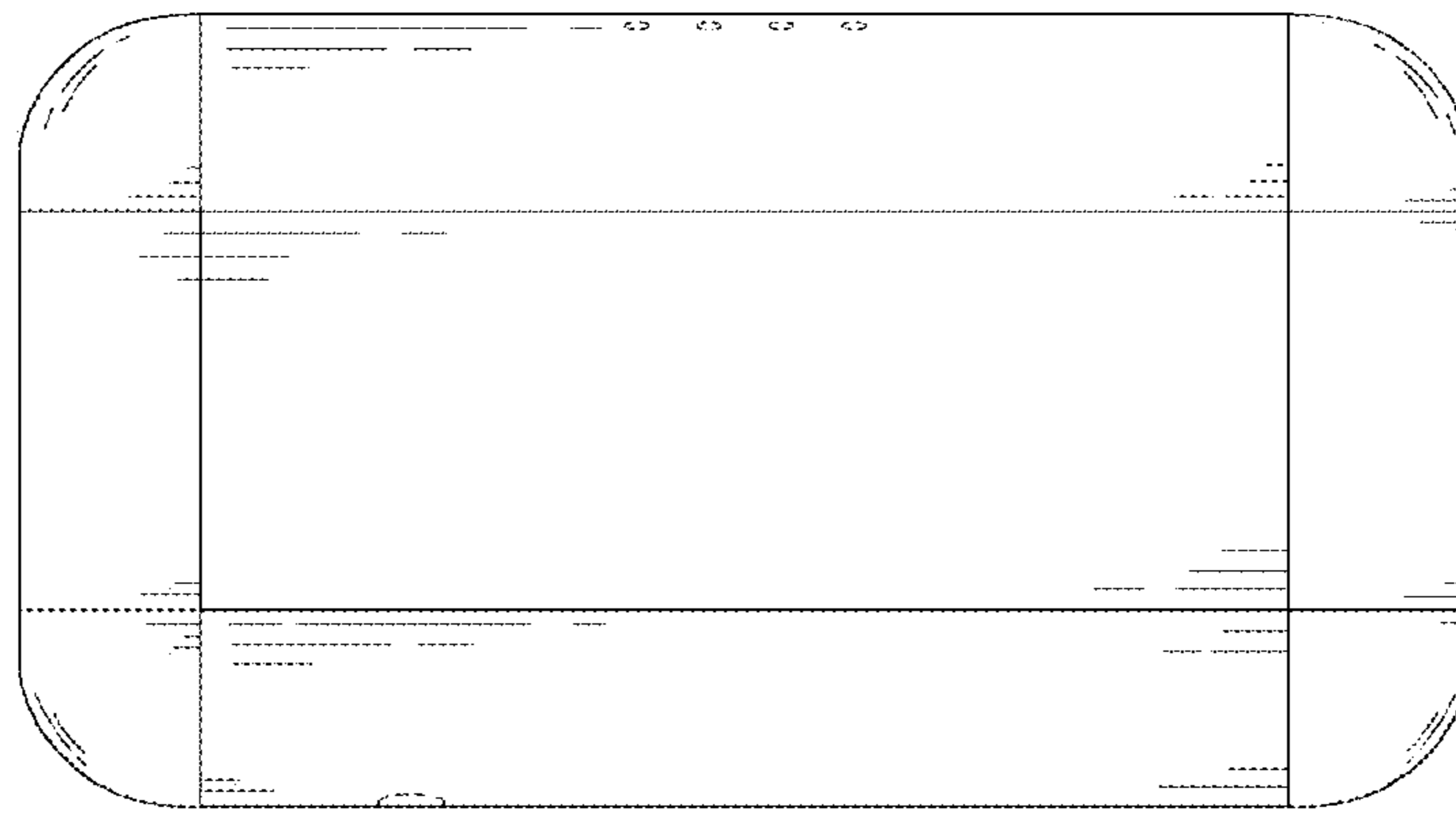


FIG. 9