



US00D949784S

(12) **United States Design Patent** (10) **Patent No.:** **US D949,784 S**
Cheung et al. (45) **Date of Patent:** **** Apr. 26, 2022**

- (54) **DOCK FOR VAPORIZER**
- (71) Applicant: **JUUL Labs, Inc.**, San Francisco, CA (US)
- (72) Inventors: **Brandon Cheung**, San Francisco, CA (US); **Andrew L. Murphy**, San Francisco, CA (US); **John Travis Wettroth**, San Francisco, CA (US); **Ryan M. Wolff**, San Francisco, CA (US); **Jeffrey M. Quackenbush**, San Francisco, CA (US)
- (73) Assignee: **JUUL Labs, Inc.**, San Francisco, CA (US)
- (**) Term: **15 Years**
- (21) Appl. No.: **29/730,164**
- (22) Filed: **Apr. 1, 2020**
- (51) **LOC (13) Cl.** **13-02**
- (52) **U.S. Cl.**
USPC **D13/108**; D27/172
- (58) **Field of Classification Search**
USPC D13/103, 107, 108, 118, 119, 184;
D14/142, 149, 209.1, 251, 432, 433, 434,
D14/435.1; D27/162, 172, 183, 194
CPC H02J 7/0044; H02J 50/00; H02J 7/02
See application file for complete search history.

- (56) **References Cited**
U.S. PATENT DOCUMENTS
D288,432 S * 2/1987 Nagele D13/107
D292,912 S * 11/1987 Muller D13/108
D428,387 S * 7/2000 Malloy D13/107
6,456,039 B1 * 9/2002 Lauper H04M 1/0262
320/107
D515,029 S * 2/2006 Hattori D13/108
D543,246 S * 5/2007 Ashida D14/434

- D563,867 S * 3/2008 Ahlgren D13/107
- D581,355 S * 11/2008 Grant D13/107
- D589,963 S * 4/2009 Sheba D14/217
- D623,131 S * 9/2010 Kawakami D13/107
- D882,166 S * 4/2020 Seidenfeld D27/172
- 2011/0039143 A1 * 2/2011 Bacon H01R 31/06
429/100
- 2018/0097374 A1 * 4/2018 Reese H02J 7/0027

OTHER PUBLICATIONS

“Aspire Breeze Charging Dock”. Found online Aug. 31, 2021 at podmodturkey.net. Reference dated Sep. 12, 2019. Retrieved from https://tineye.com/search/145795276569153232c38163c275e21d13cba3fa?sort=crawl_date&order=asc&page=1. (Year: 2019).*

(Continued)

Primary Examiner — Kendra Leslie Hamilton
Assistant Examiner — Amanda Christensen
(74) *Attorney, Agent, or Firm* — Mintz, Levin, Cohn, Ferris, Glovsky and Popeo, P.C.

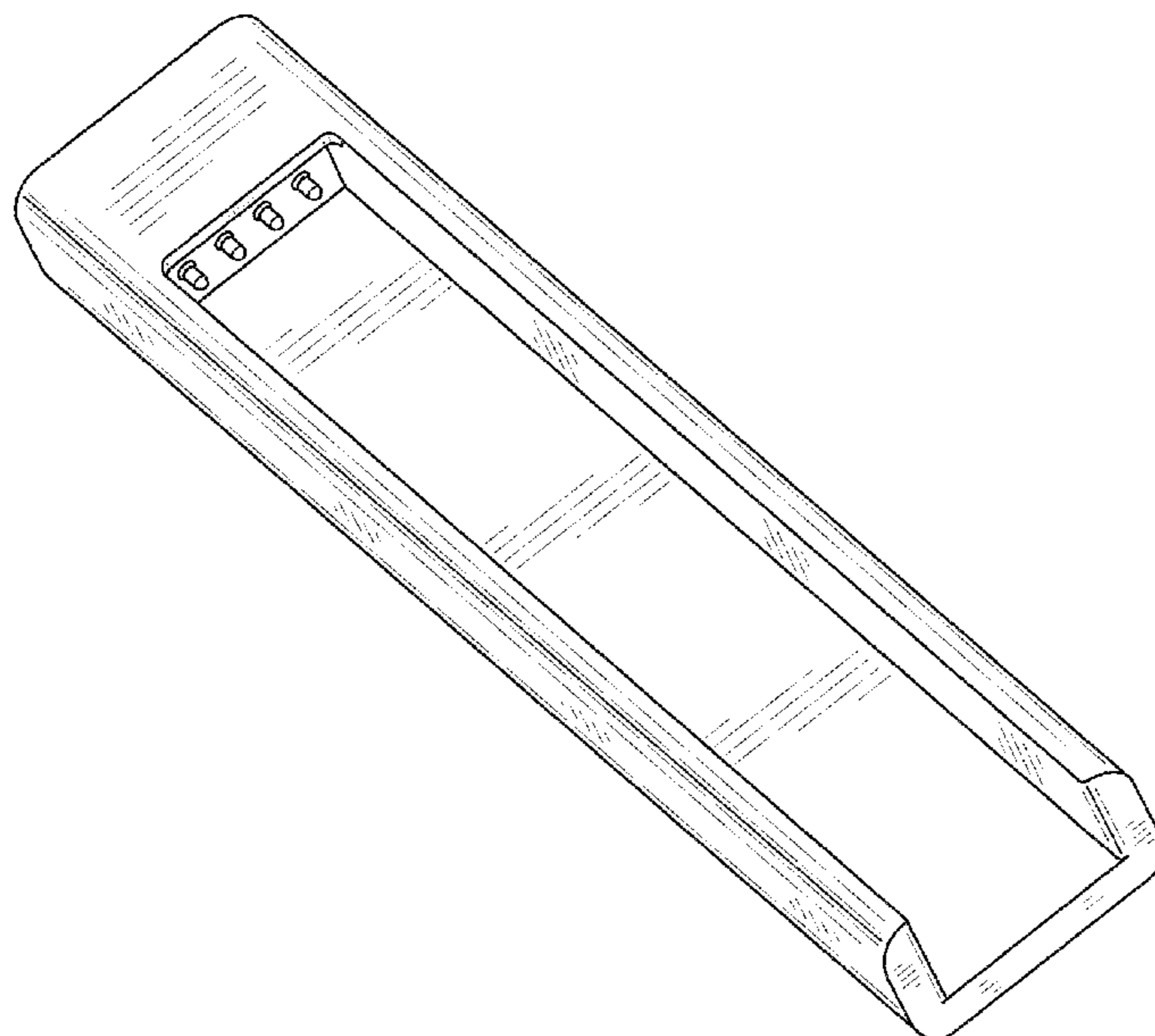
(57) **CLAIM**

The ornamental design for a dock for vaporizer, as shown and described.

DESCRIPTION

FIG. 1 is a top, front, and right side perspective view of a dock for vaporizer showing our new design;
FIG. 2 is a bottom, front, and left side perspective view thereof;
FIG. 3 is a front view thereof;
FIG. 4 is a rear view thereof;
FIG. 5 is a left side view thereof;
FIG. 6 is a right side view thereof;
FIG. 7 is a top view thereof; and,
FIG. 8 is a bottom view thereof.

1 Claim, 5 Drawing Sheets



(56)

References Cited

OTHER PUBLICATIONS

“Firefly Charging Dock”. Found online Aug. 10, 2021 at thefirefly.com. Reference dated Sep. 9, 2017. Retrieved from https://tineye.com/search/57aecdf95e6c95c763810ec675bfbf44ee409472?sort=crawl_date&order=asc&page=1. (Year: 2017).*

“Flowermate UNO Vaporizer”. Found online Aug. 31, 2021 at amazon.co.uk. Reference dated Feb. 2, 2019. Retrieved from <https://www.amazon.co.uk/Flowermate-UNO-Convection-Aromatherapy-Vaporizer/dp/B07NC16W7K>. (Year: 2019).*

* cited by examiner

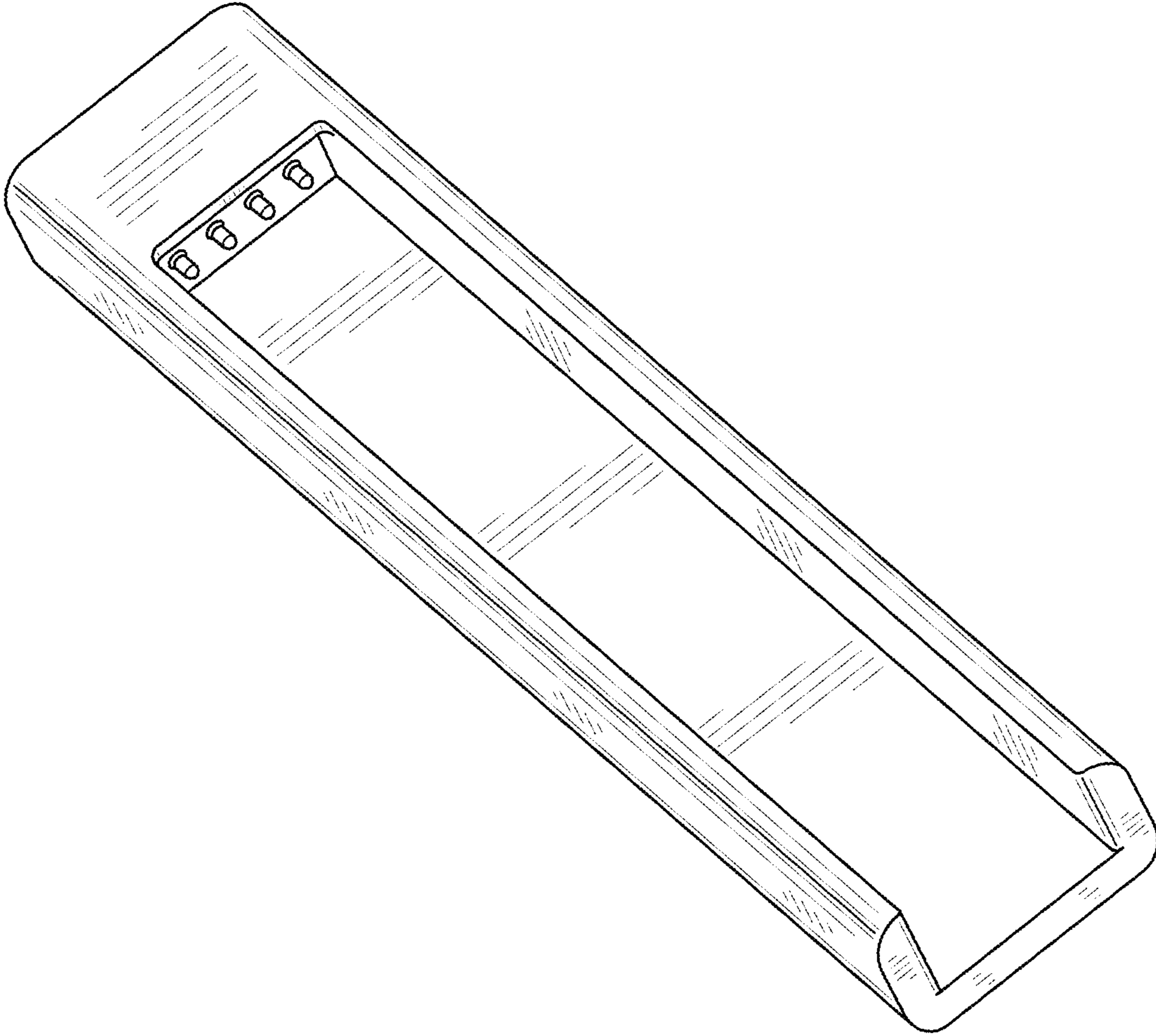


FIG. 1

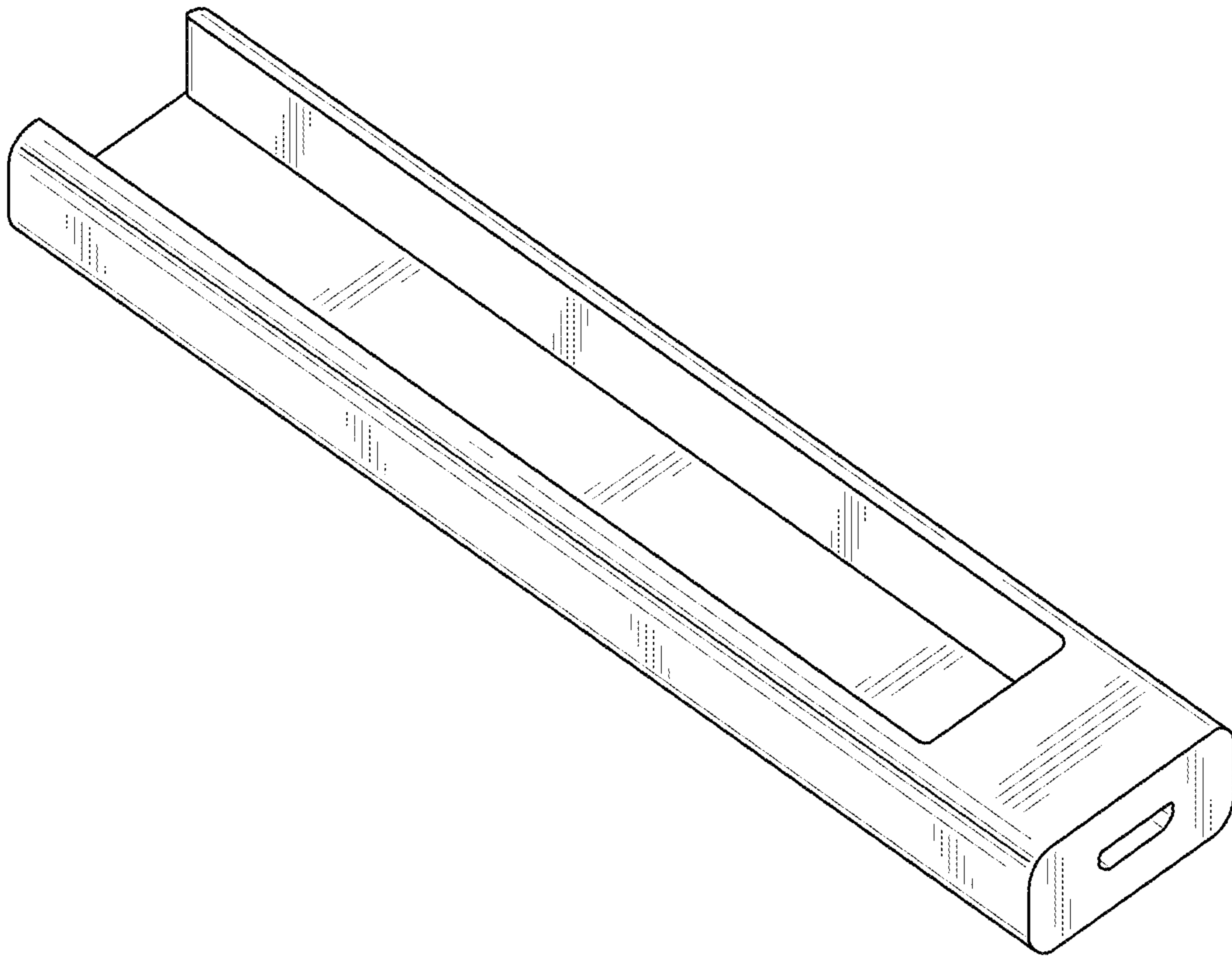


FIG. 2

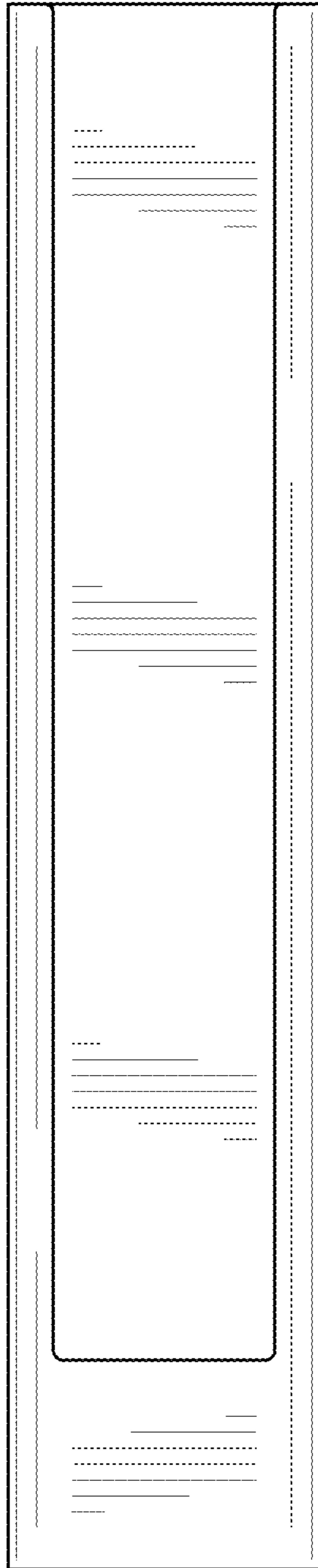


FIG. 3

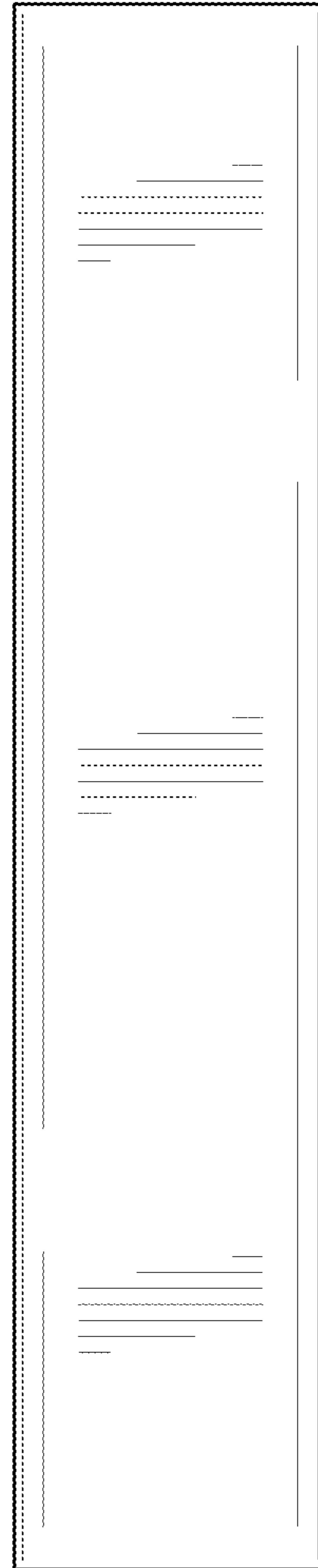


FIG. 4

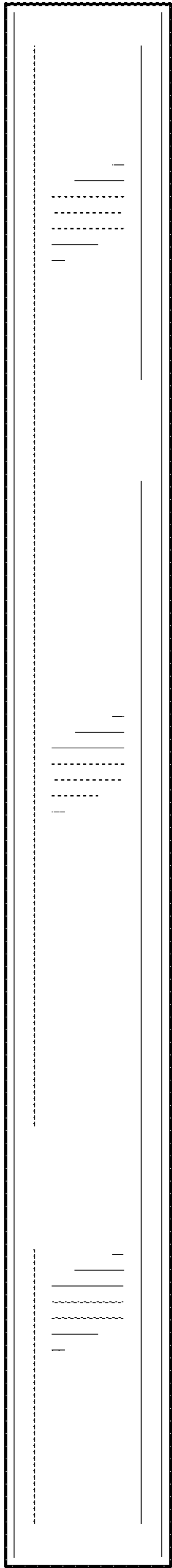


FIG. 5

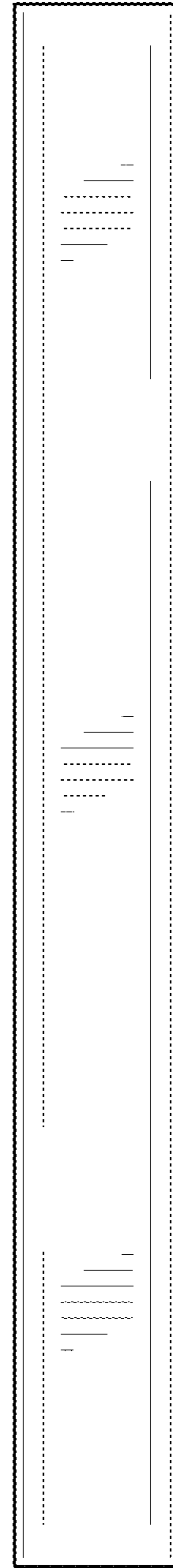


FIG. 6

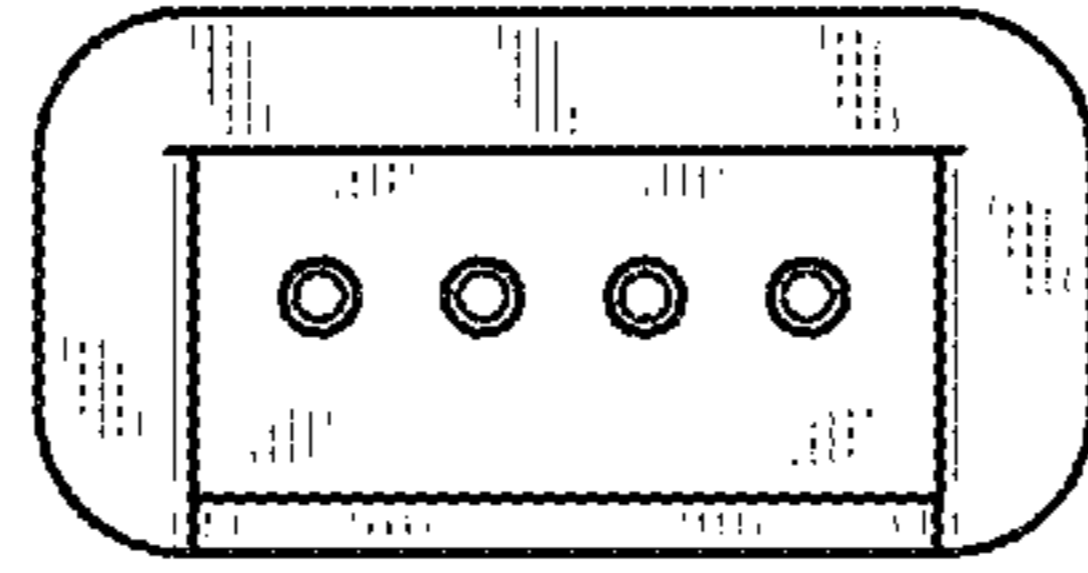


FIG. 7

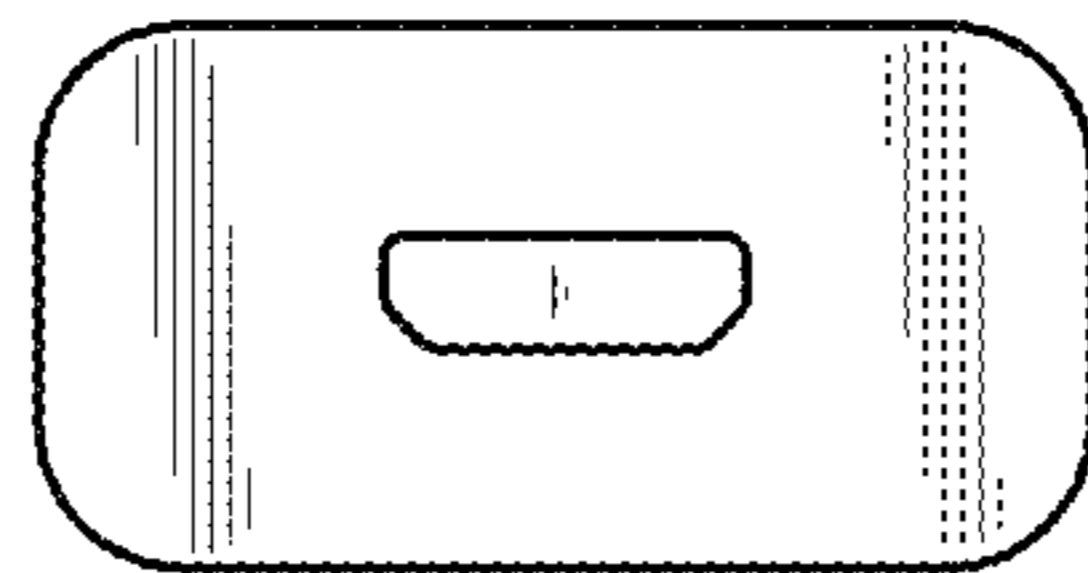


FIG. 8