



US00D949782S

(12) **United States Design Patent**
Ensing et al.

(10) **Patent No.:** **US D949,782 S**
(45) **Date of Patent:** **** Apr. 26, 2022**

- (54) **RECHARGEABLE BATTERY**
- (71) Applicant: **Theragun, Inc.**, Beverly Hills, CA (US)
- (72) Inventors: **Geert Ensing**, Shanghai (CN); **Michael Waldron**, Dunnington (GB)
- (73) Assignee: **THERABODY, INC.**, Los Angeles, CA (US)
- (**) Term: **15 Years**
- (21) Appl. No.: **29/794,864**
- (22) Filed: **Jun. 15, 2021**

Related U.S. Application Data

- (60) Continuation of application No. 29/771,836, filed on Feb. 25, 2021, now Pat. No. Des. 923,562, which is a continuation of application No. 29/715,953, filed on Dec. 5, 2019, now Pat. No. Des. 911,932, which is a division of application No. 29/619,833, filed on Oct. 2, 2017, now Pat. No. Des. 869,387.
- (51) **LOC (13) Cl.** **13-02**
- (52) **U.S. Cl.**
USPC **D13/103**
- (58) **Field of Classification Search**
USPC D13/103, 107, 108, 110, 118, 119, 122, D13/184, 199
CPC Y02E 60/12; Y02E 60/122; Y02E 60/124; Y02E 60/50; H02J 7/025; H02J 7/0042; H02J 7/0044; H02J 7/0045; H02J 7/0003; H01R 13/6675; H01M 2/1022; H01M 2/1055; H01M 10/44; H01M 10/46; H01M 10/425; B60L 11/182
See application file for complete search history.

(56) **References Cited**

U.S. PATENT DOCUMENTS

- D313,391 S * 1/1991 Pudwill D13/103
- D321,338 S 11/1991 Sakamoto

- D323,642 S 2/1992 Liao
 - D345,727 S * 4/1994 Flowers D13/103
 - D383,435 S 9/1997 Svetlik
 - D384,639 S 10/1997 Kawakami
 - D412,485 S 8/1999 Kato
 - D417,648 S 12/1999 Clowers
 - 6,007,939 A 12/1999 Clowers
 - D432,077 S 10/2000 Zurwelle
 - D466,863 S 12/2002 Zurwelle
 - D474,445 S 5/2003 Matsuoka
- (Continued)

OTHER PUBLICATIONS

Amazon.com: Energup Upgraded 2 Pack 12V 2500mAh Replacement . . . Date First Available on Amazon of Jul. 20, 2017. Retrieved from the internet at <https://www.amazon.com/dp/B0744CV97H/>, Sep. 6, 2019. 1 page (Year: 2017).

Primary Examiner — Christy Nemeth
(74) *Attorney, Agent, or Firm* — Jeffer Mangels Butler & Mitchell LLP; Brennan C. Swain, Esq.

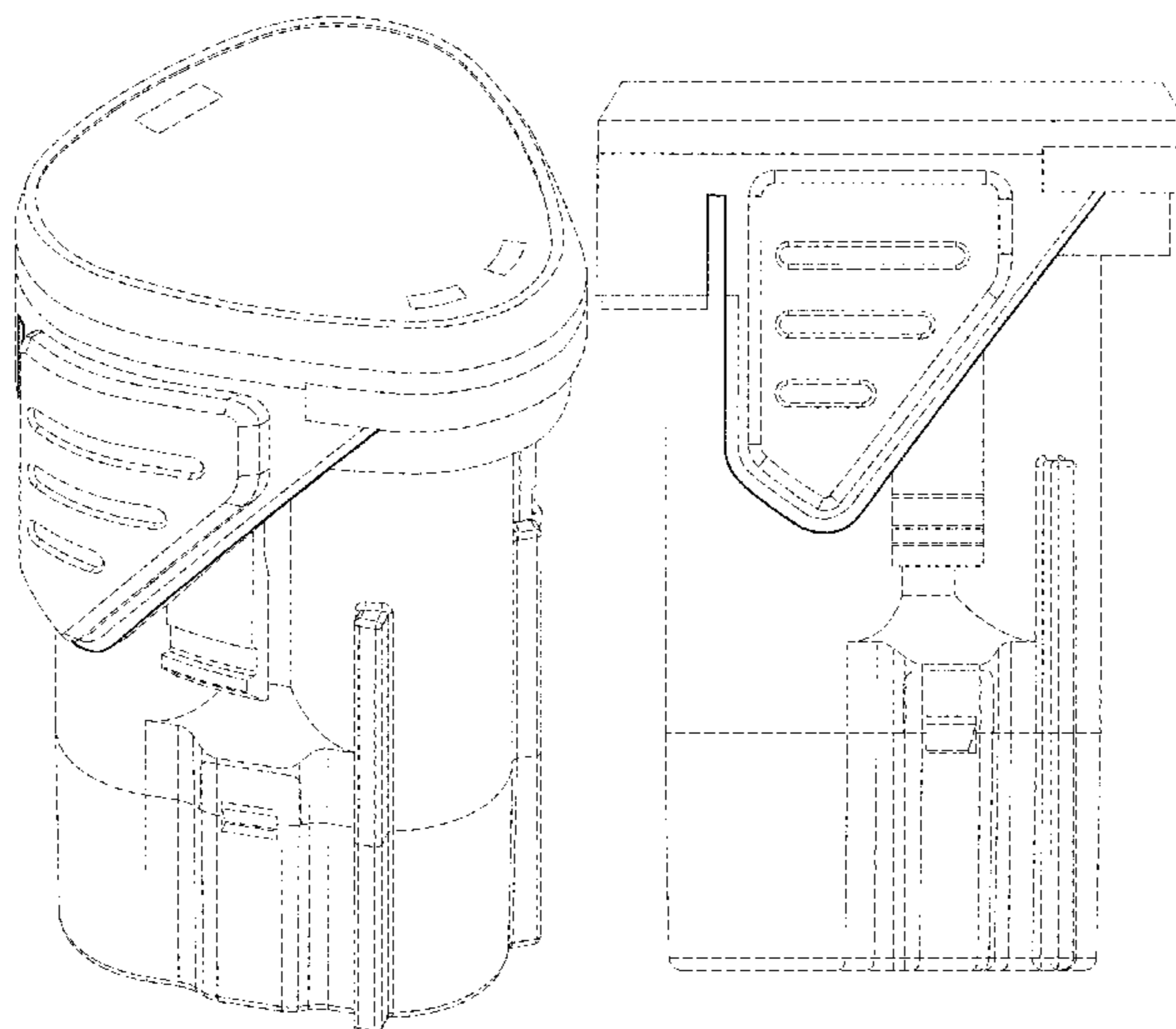
(57) **CLAIM**

The ornamental design for a rechargeable battery, as shown and described.

DESCRIPTION

FIG. 1 is a perspective view of a rechargeable battery of our new design;
FIG. 2 is a front elevational view thereof;
FIG. 3 is a rear elevational view thereof;
FIG. 4 is a right side elevational view, the left side elevational view being a mirror image thereof;
FIG. 5 is a top plan view thereof; and,
FIG. 6 is a bottom plan view thereof.
The broken lines in the drawings are for the purpose of illustrating portions of the rechargeable battery that form no part of the claimed design.

1 Claim, 6 Drawing Sheets



(56)

References Cited

U.S. PATENT DOCUMENTS

D488,774	S	4/2004	Zufall	
D504,111	S	4/2005	Ozawa	
D504,394	S	4/2005	Cheung	
D528,975	S *	9/2006	Chi	D13/103
D530,270	S	10/2006	Ozawa	
D544,436	S	6/2007	Kawahara	
D547,264	S *	7/2007	Kondo	D13/103
D553,562	S	10/2007	Okada	
D579,868	S	11/2008	Harrison	
D580,353	S	11/2008	Harrison	
D590,333	S	4/2009	Price	
D597,482	S *	8/2009	Kondo	D13/103
D598,844	S	8/2009	Harrison	
D603,331	S	11/2009	Schupp	
D622,660	S	8/2010	Taniguchi	
7,799,448	B2	9/2010	Cruise	
7,953,965	B2	5/2011	Qin	
8,383,263	B2	2/2013	Cruise	
D682,195	S *	5/2013	Aglassinger	D13/103
D699,672	S *	2/2014	Kosugi	D13/103
9,871,370	B2	1/2018	Friedman	
D817,869	S *	5/2018	Lee	D13/103
D818,949	S *	5/2018	Dunkin	D13/103
D823,247	S	7/2018	Lemelson	
D835,578	S	12/2018	Bai	
D869,387	S *	12/2019	Ensing	D13/103
D908,082	S *	1/2021	Lundbaeck	D13/103
D911,932	S *	3/2021	Ensing	D13/103
D912,617	S *	3/2021	Qiao	D13/103
D913,214	S *	3/2021	Duman	D13/103
D918,829	S *	5/2021	Tinius	D13/103
D923,562	S *	6/2021	Ensing	D13/103
2009/0208827	A1	8/2009	Kondo	
2013/0196203	A1	8/2013	Wackwitz	

* cited by examiner

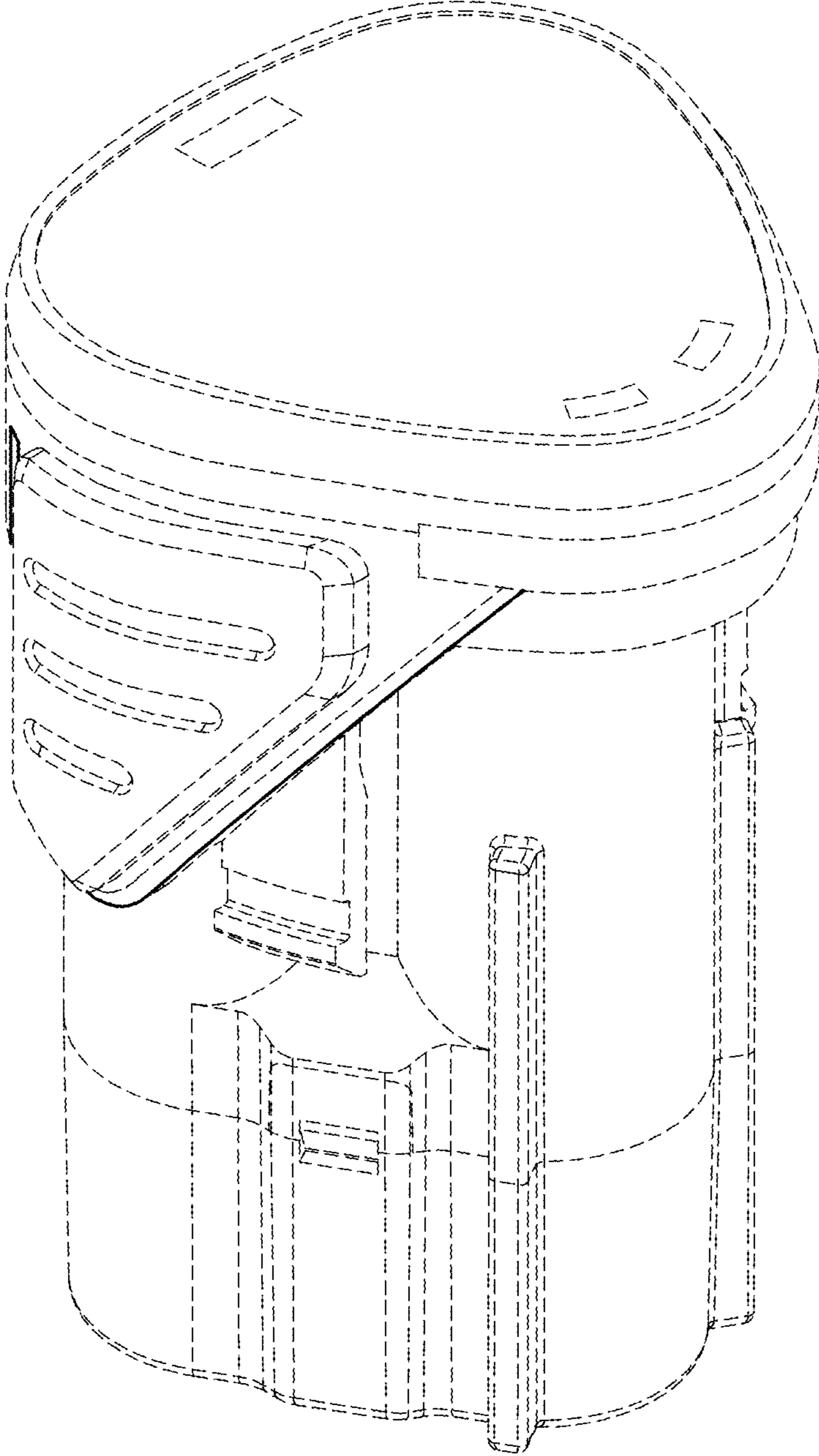


FIG. 1

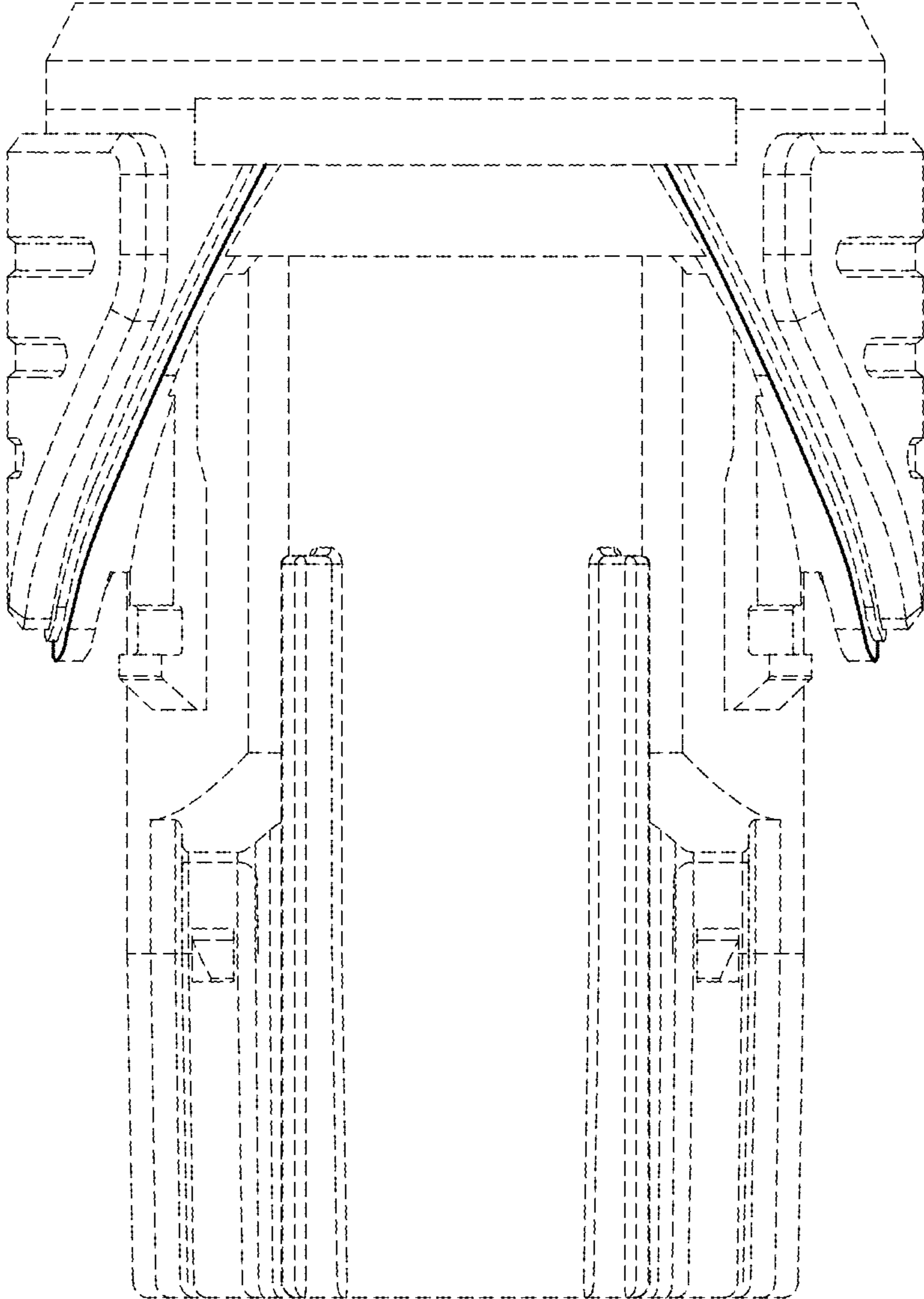


FIG. 2

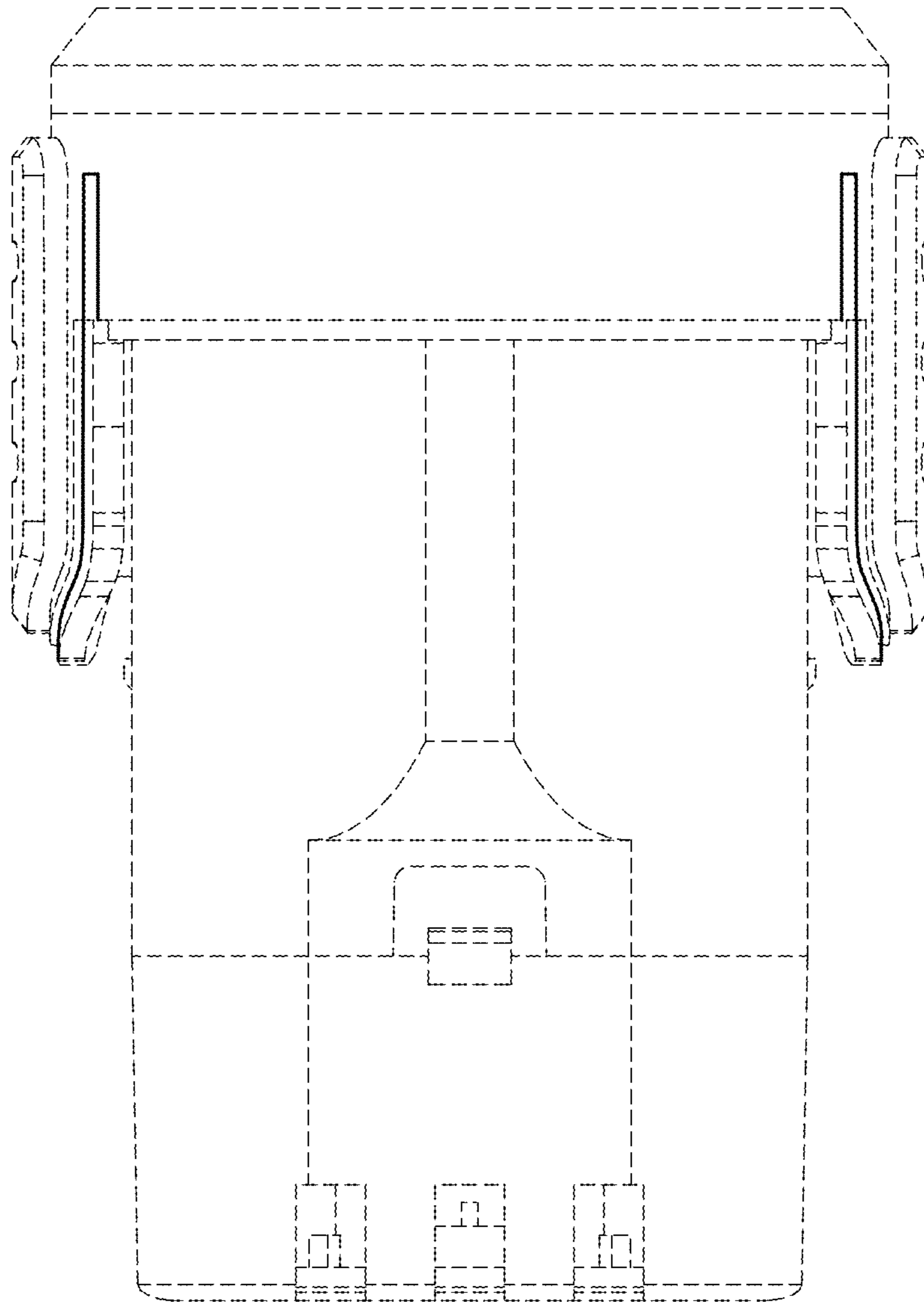


FIG. 3

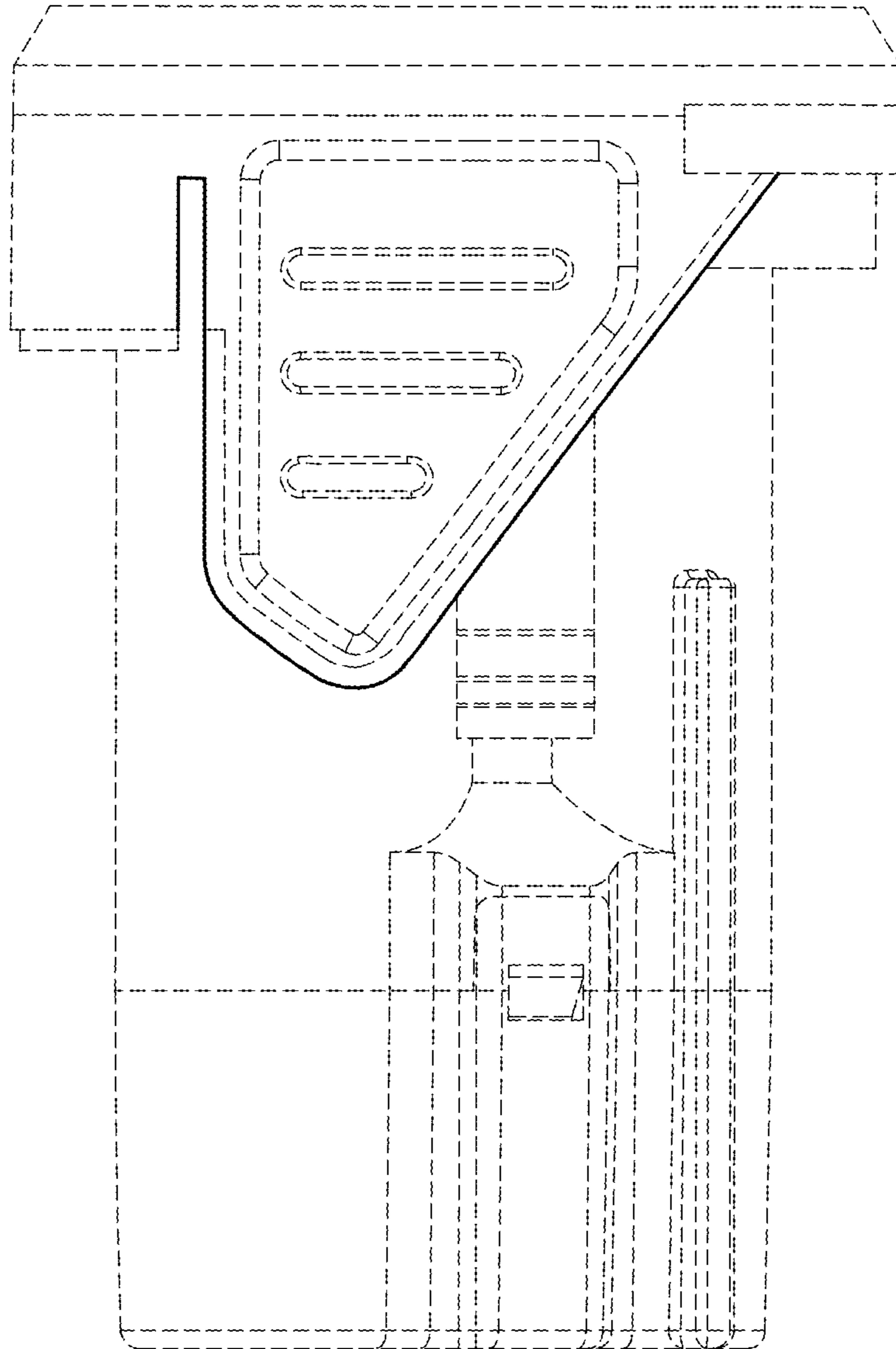


FIG. 4

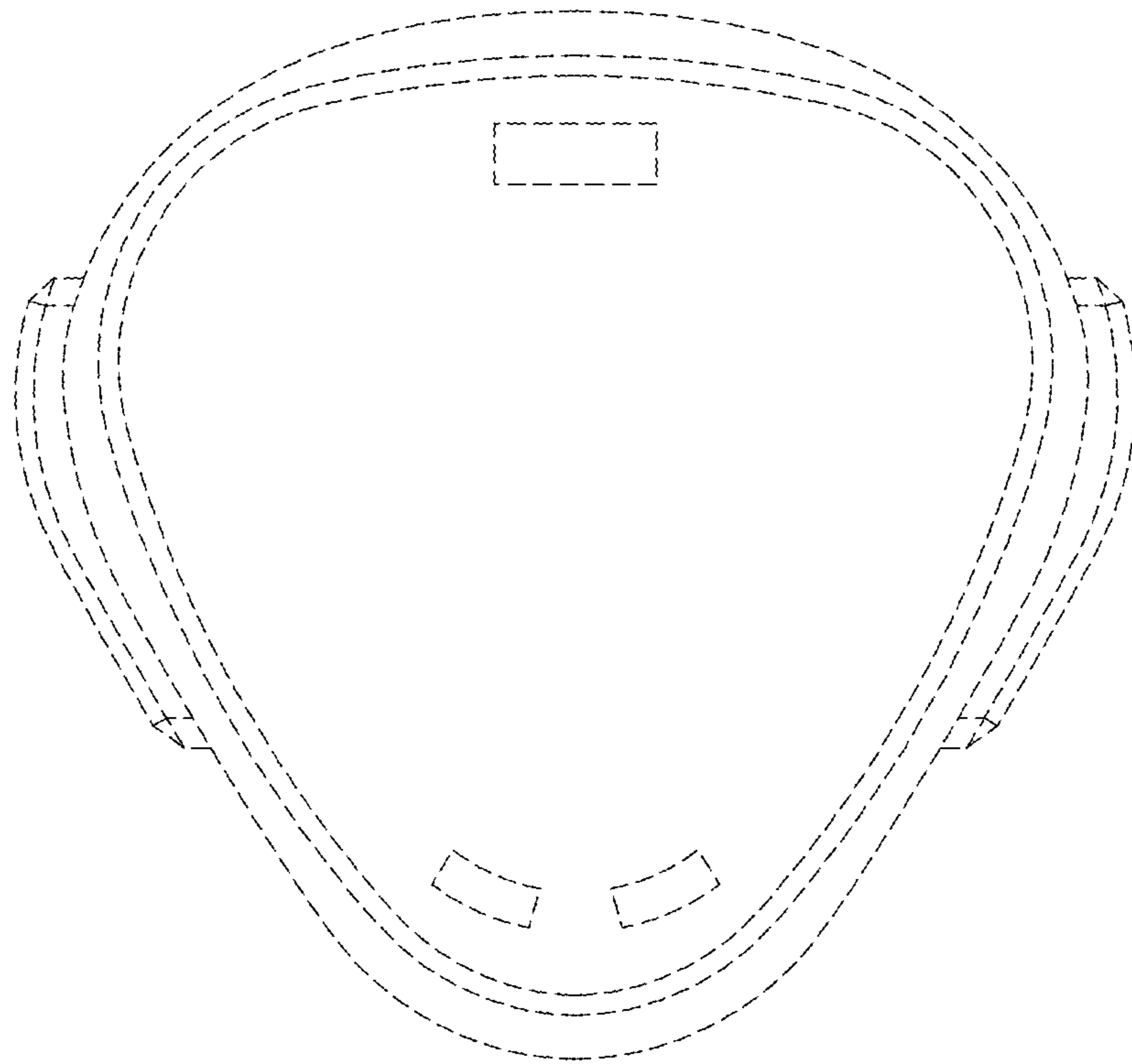


FIG. 5

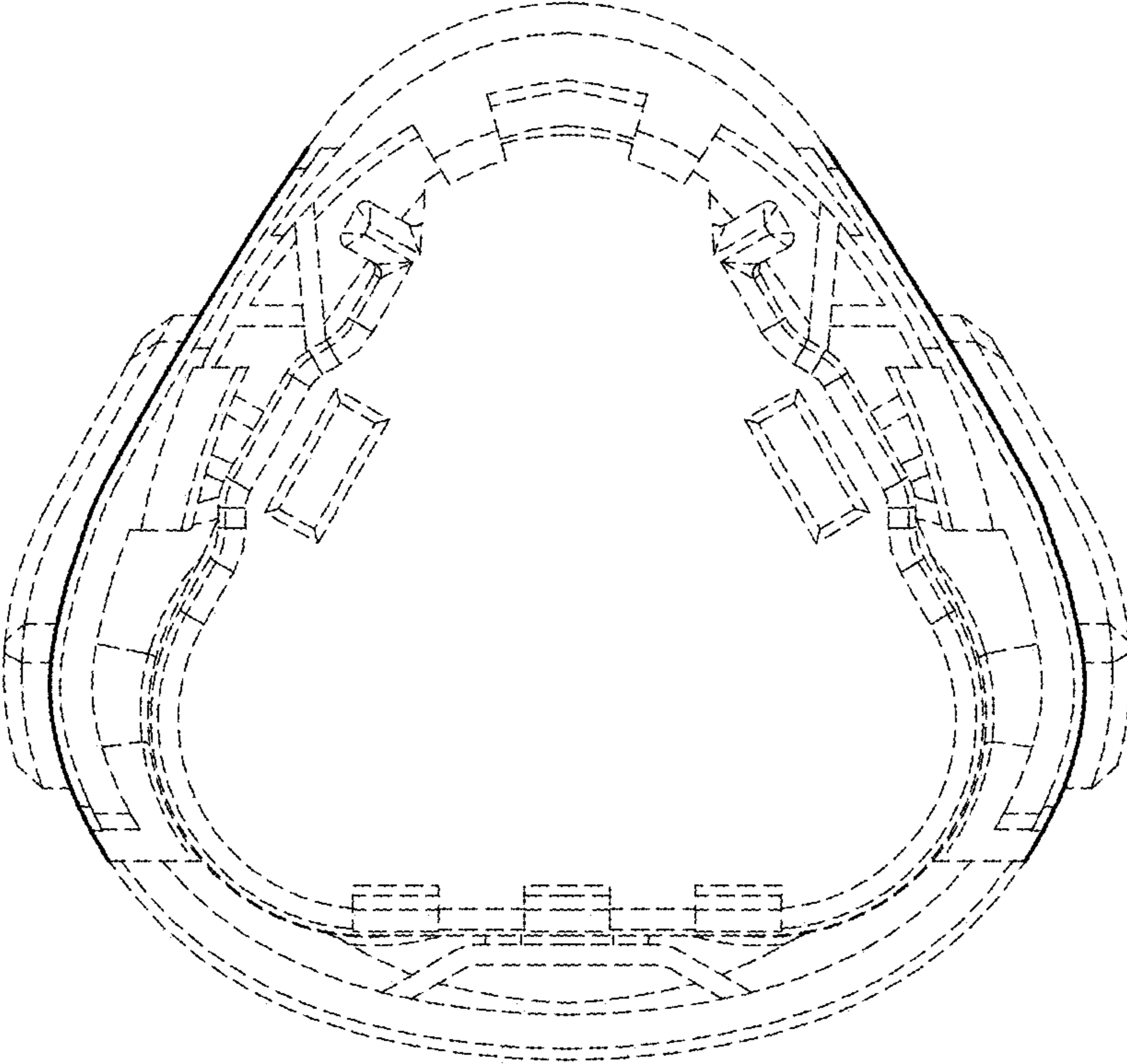


FIG. 6