



US00D949781S

(12) **United States Design Patent**
Zhao et al.

(10) **Patent No.:** **US D949,781 S**

(45) **Date of Patent:** **** Apr. 26, 2022**

- (54) **RECHARGEABLE BATTERY**
- (71) Applicant: **Foshan Alpicool Electric Appliance Co., LTD**, Foshan (CN)
- (72) Inventors: **Pizhi Zhao**, Qingyuan (CN); **Jingcheng Chen**, Nanning (CN); **Tao Zeng**, Foshan (CN); **Junjie Qin**, Nanning (CN); **Shaohui Chen**, Yichun (CN)
- (73) Assignee: **Foshan Alpicool Electric Appliance Co., LTD**, Foshan (CN)
- (**) Term: **15 Years**
- (21) Appl. No.: **29/774,682**
- (22) Filed: **Mar. 18, 2021**
- (51) **LOC (13) Cl.** **13-02**
- (52) **U.S. Cl.**
USPC **D13/103**
- (58) **Field of Classification Search**
USPC D13/103-106, 110, 118-119, 184, 199
CPC .. H01M 10/05; H01M 10/052; H01M 10/054;
H01M 10/425; H01M 10/48; H01M
10/486; H01M 2220/30; H01M 2250/30;
H01M 50/249
See application file for complete search history.

D610,083 S *	2/2010	Chen	D13/104
D795,181 S *	8/2017	Hahn	D13/104
D829,646 S *	10/2018	Tse	D13/103
D835,573 S *	12/2018	Chen	D13/103
D853,319 S *	7/2019	Nommensen	D13/103
D878,289 S *	3/2020	Supron	D13/103
D910,546 S *	2/2021	Dong	D13/104
D911,933 S *	3/2021	Dong	D13/104
D914,624 S *	3/2021	Alfredsson	D13/184
D929,316 S *	8/2021	Azuma	D13/103

FOREIGN PATENT DOCUMENTS

CN 306032920 S 9/2020

* cited by examiner

Primary Examiner — Rosemary K Tarcza

(57) **CLAIM**

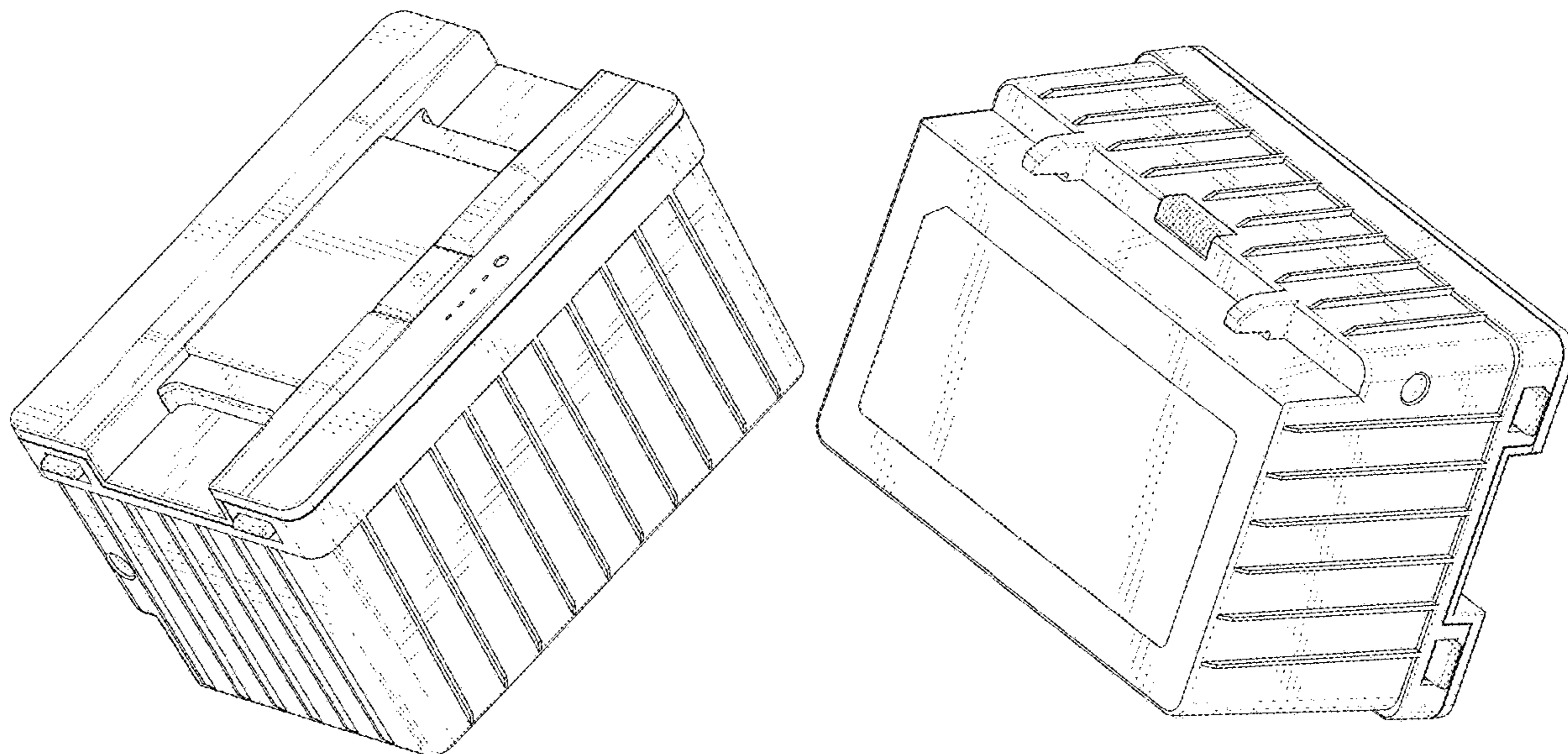
The ornamental design for a rechargeable battery, as shown and described.

DESCRIPTION

FIG. 1 is a front elevation view of a rechargeable battery showing my design;
 FIG. 2 is a back elevation view thereof;
 FIG. 3 is a left side view thereof;
 FIG. 4 is a right side view thereof;
 FIG. 5 is a top plan view thereof;
 FIG. 6 is a bottom plan view thereof;
 FIG. 7 is a perspective view thereof; and,
 FIG. 8 is another perspective view thereof.
 The dashed or broken lines shown in the drawings depict portions of the rechargeable battery in which the design is embodied that form no part of the claimed design.

1 Claim, 8 Drawing Sheets

- (56) **References Cited**
U.S. PATENT DOCUMENTS
D383,434 S * 9/1997 Hooke D13/103
D403,660 S 1/1999 Poon
D425,476 S * 5/2000 Campbell D13/103
D500,747 S * 1/2005 Gavel D13/184
D506,065 S 6/2005 Sugino et al.



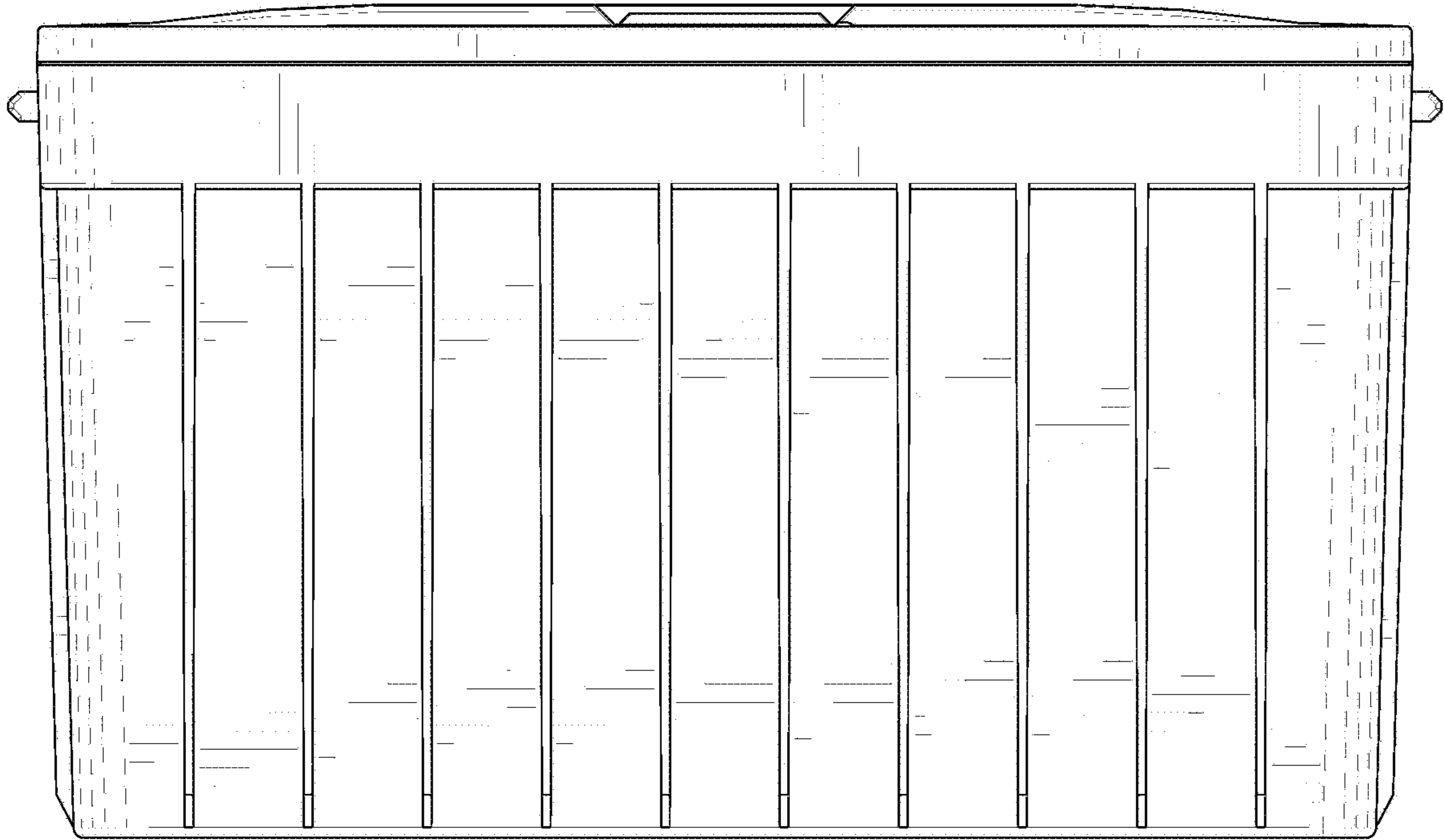


FIG. 1

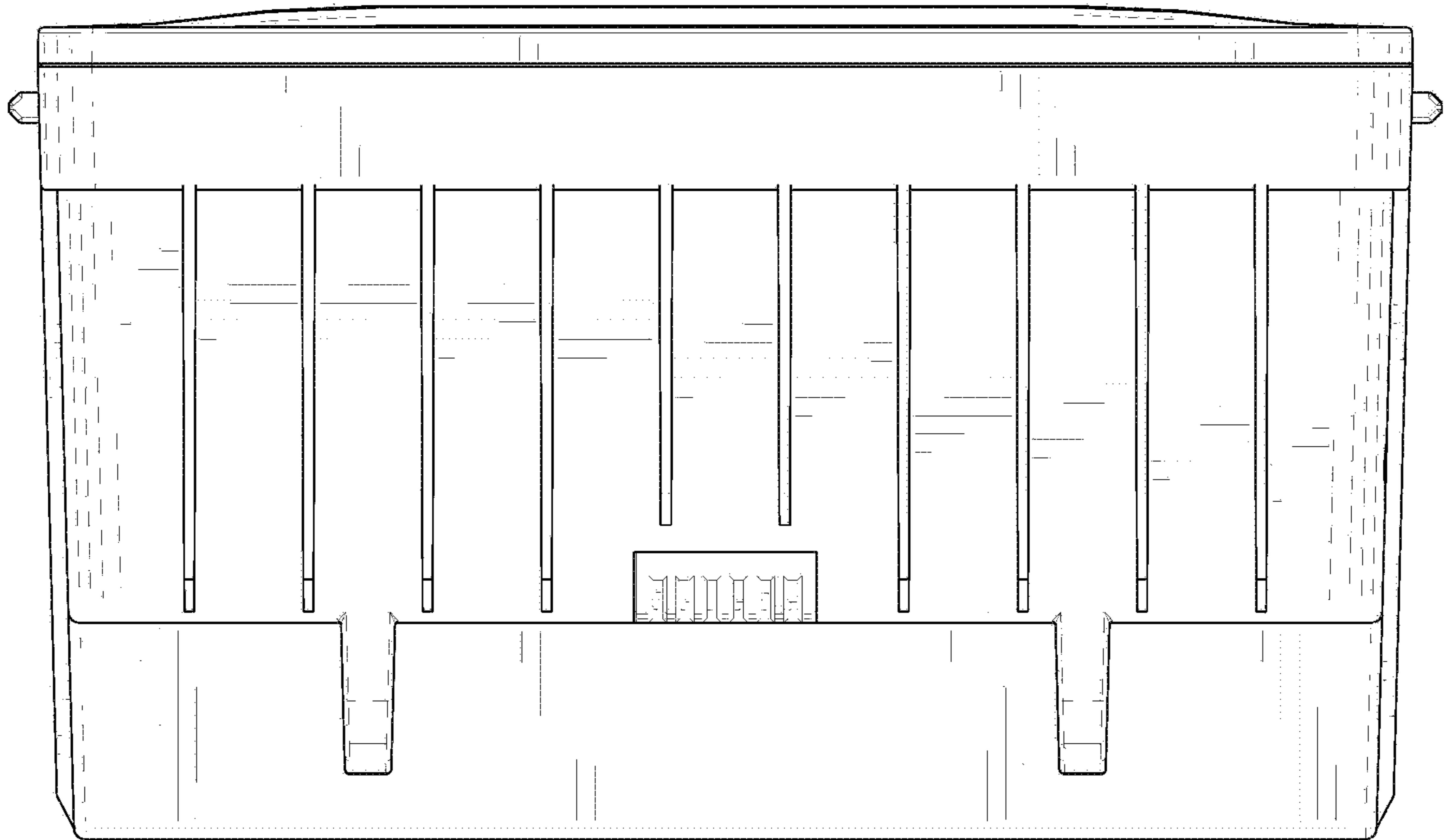


FIG. 2

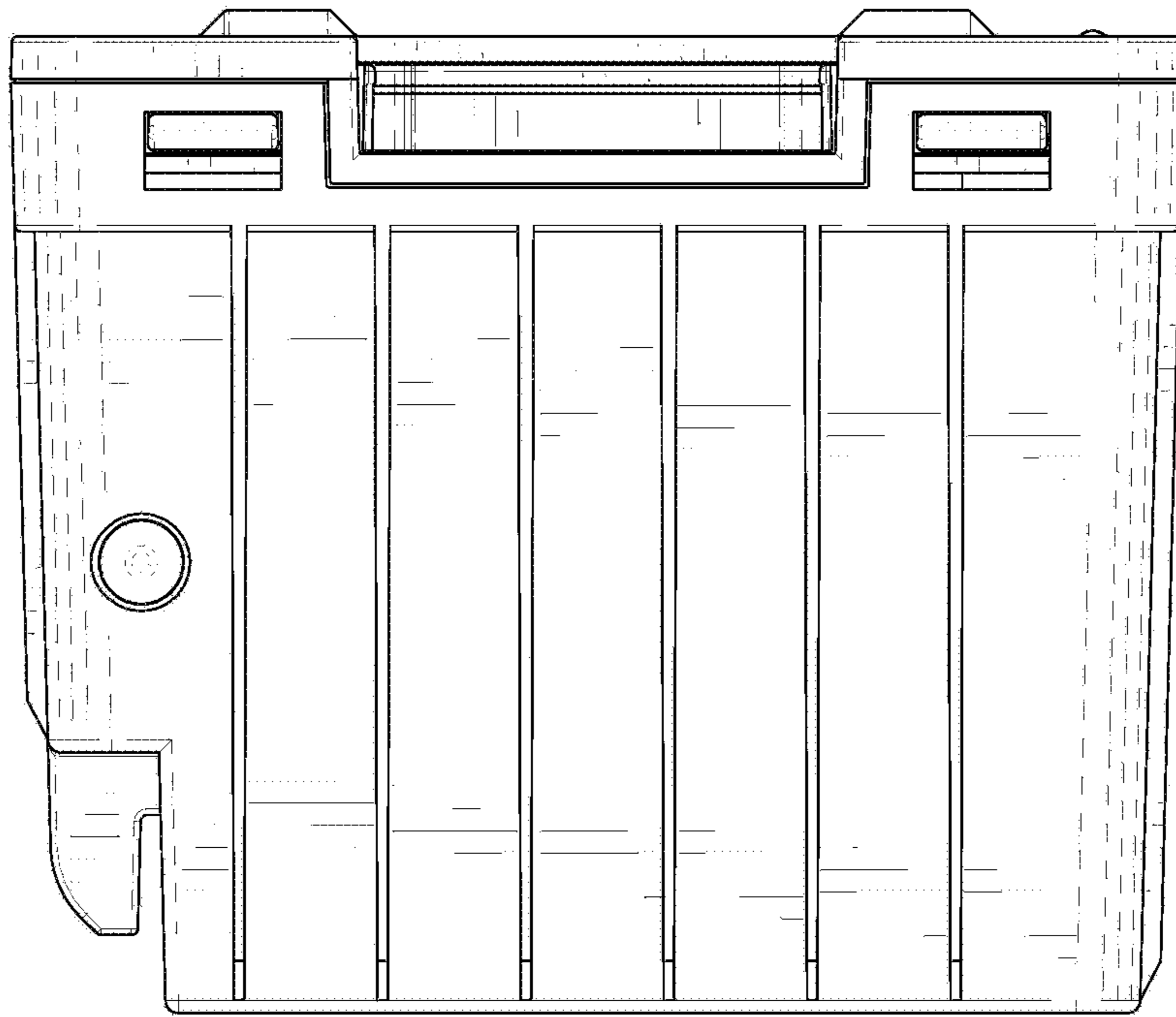


FIG. 3

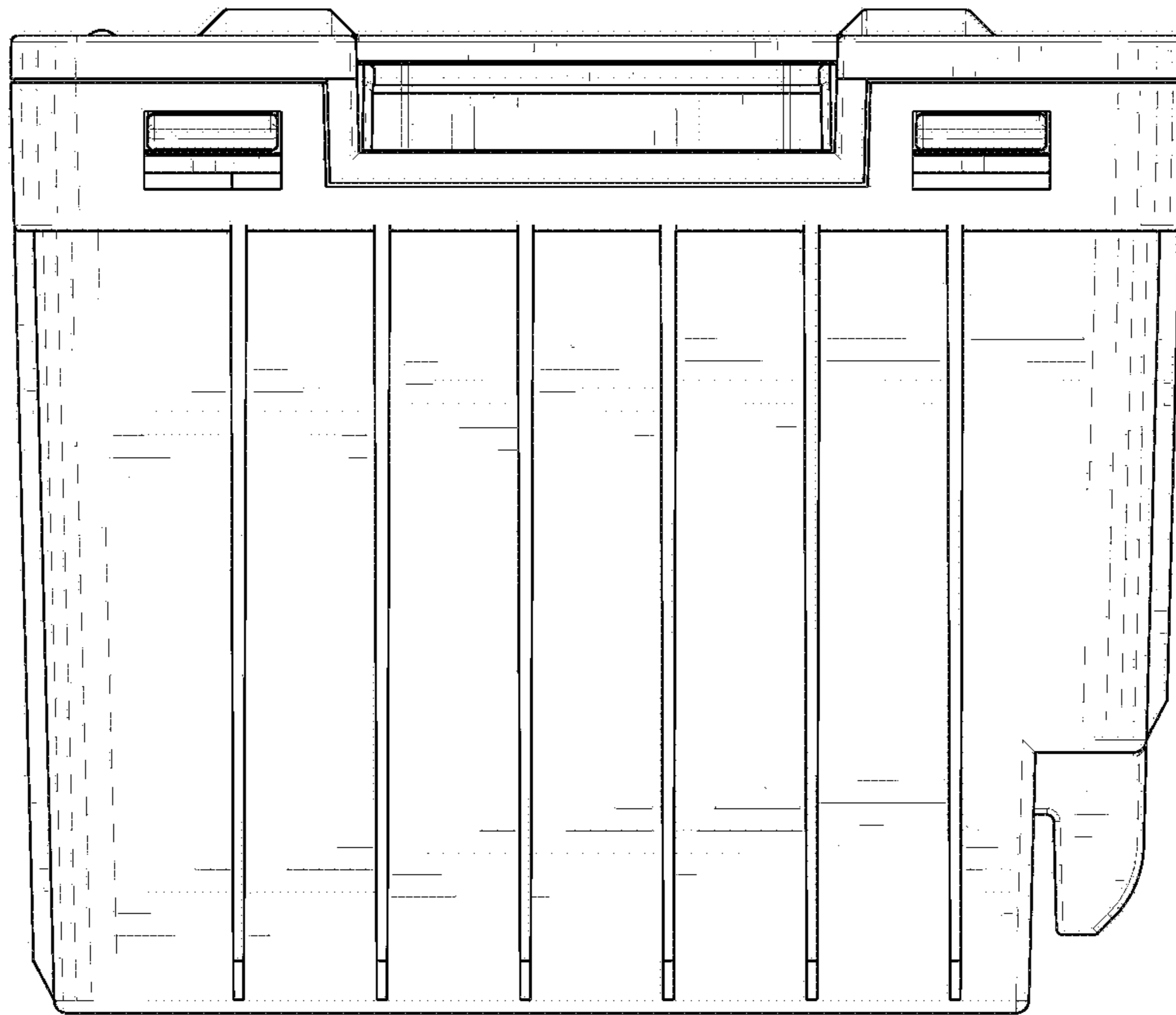


FIG. 4

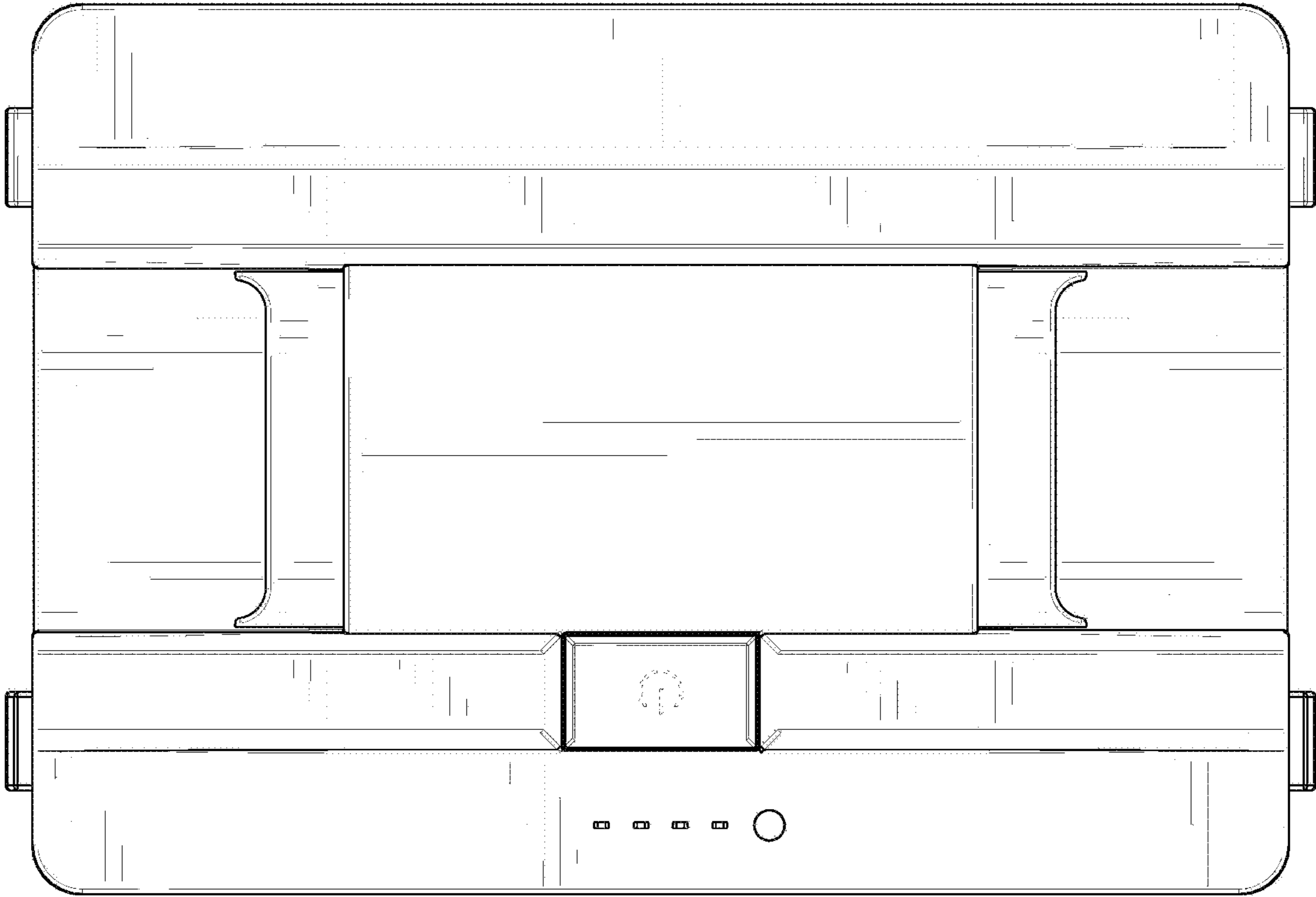


FIG. 5

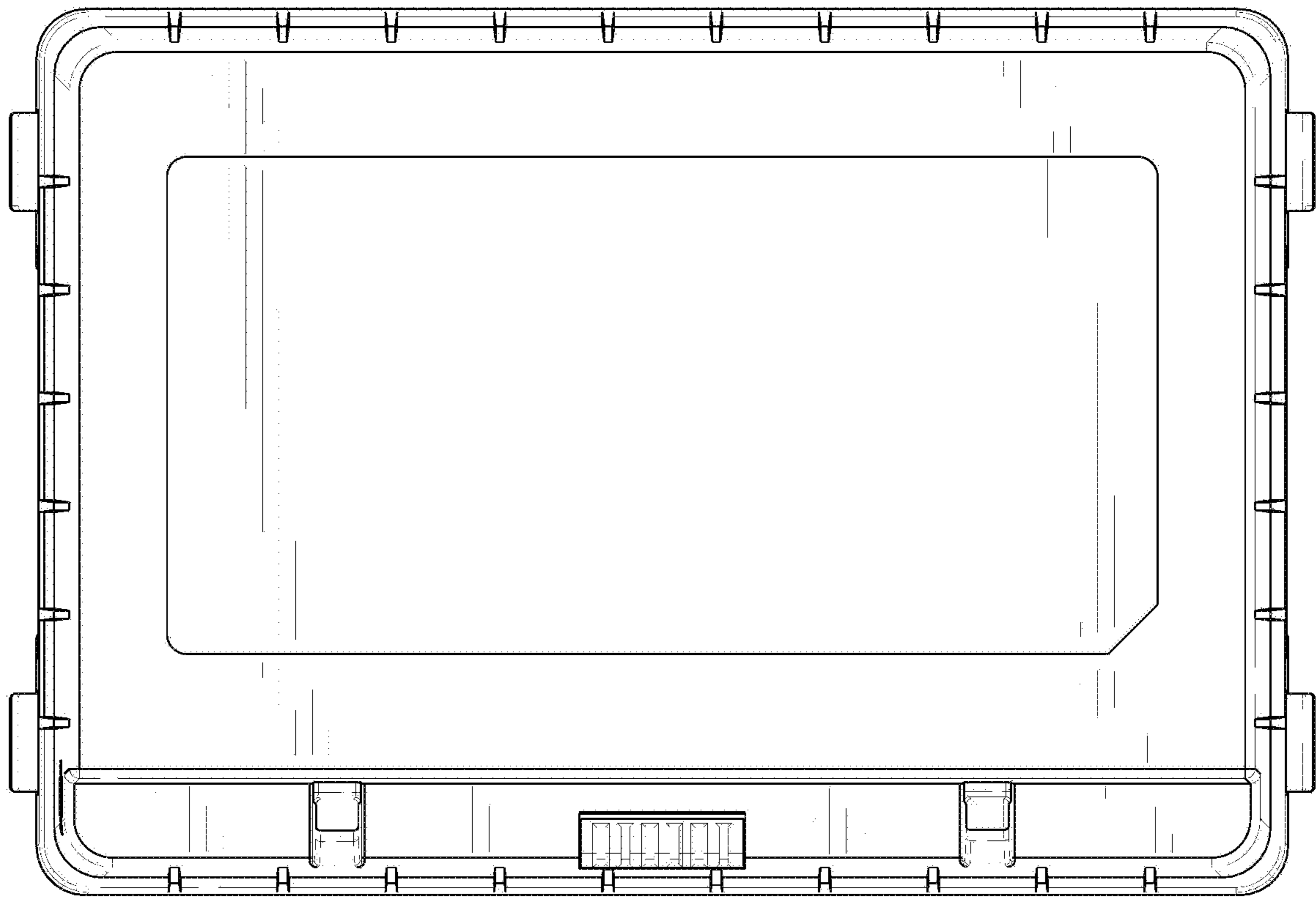


FIG. 6

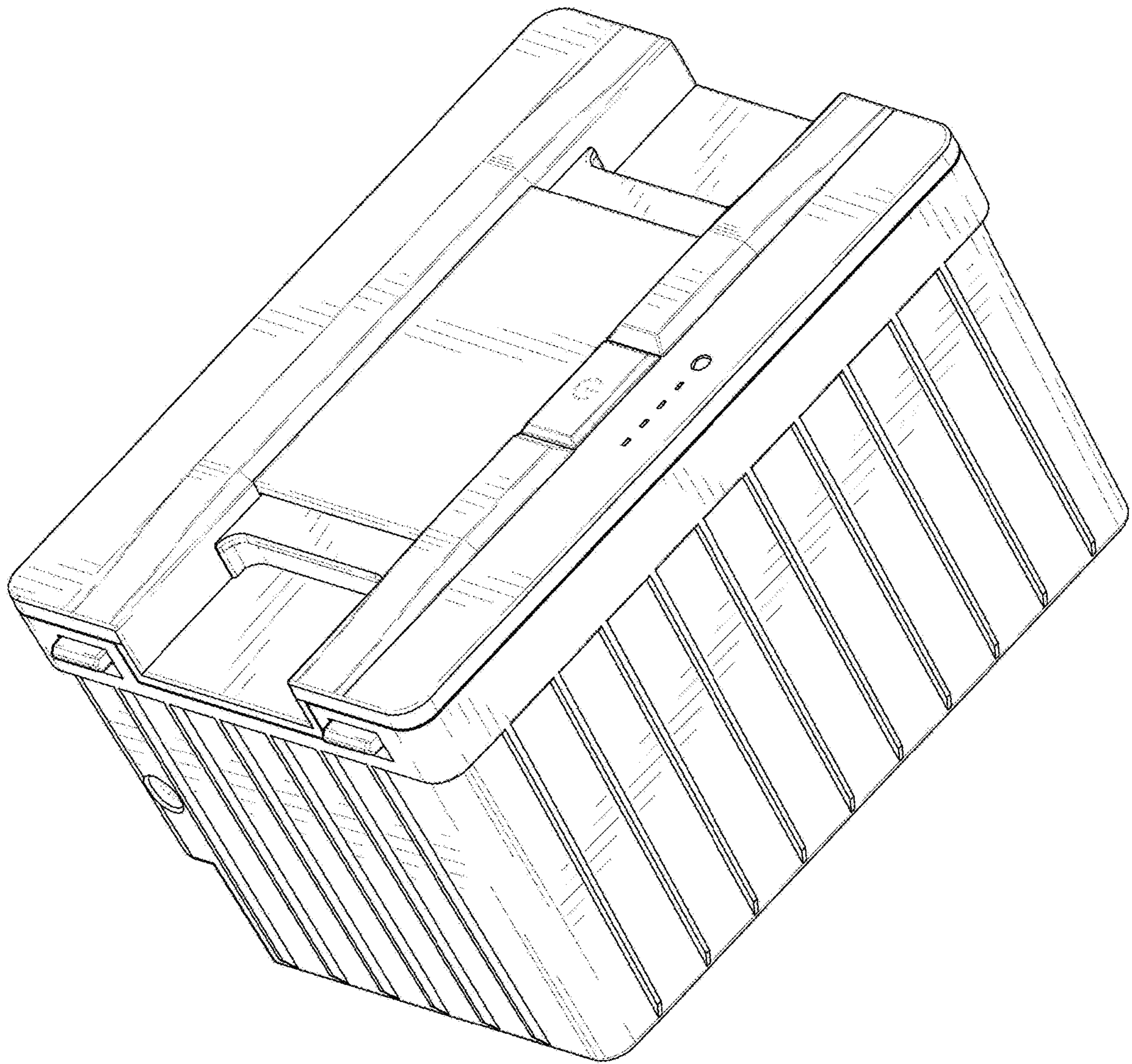


FIG. 7

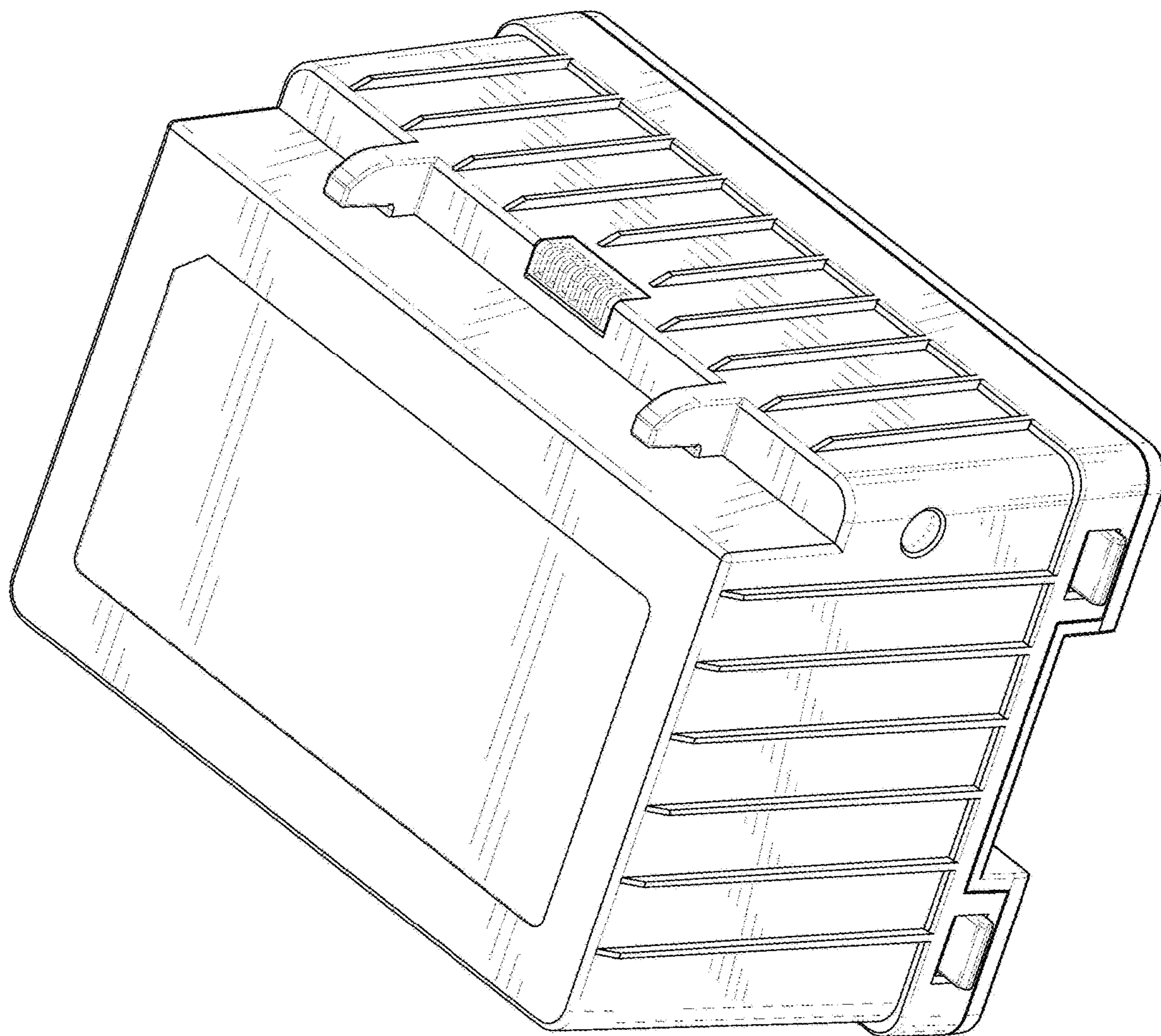


FIG. 8