



US00D949780S

(12) **United States Design Patent** (10) **Patent No.:** **US D949,780 S**
Diebel et al. (45) **Date of Patent:** **** Apr. 26, 2022**

(54) **BATTERY FOR AN ELECTRONIC DEVICE**

D327,868 S 7/1992 Oka
5,180,644 A 1/1993 Bresin et al.
D337,984 S 8/1993 Lindahl
D348,247 S 6/1994 Cooper

(71) Applicant: **Apple Inc.**, Cupertino, CA (US)

(72) Inventors: **Markus Diebel**, San Francisco, CA (US); **Melody L. Kuna**, Palo Alto, CA (US); **Carli E. Oster**, San Francisco, CA (US); **Florence Wong Ow**, Burlingame, CA (US); **Mikael Silvano**, San Francisco, CA (US); **Alex Chun Lap Yeung**, South San Francisco, CA (US)

(Continued)

FOREIGN PATENT DOCUMENTS

JP D1470109 5/2013
TW 171302 10/1991

OTHER PUBLICATIONS

iPhone 5C Teardown, ifixit.com, [Retrieved on Oct. 26, 2015], Retrieved from the Internet: (URL: <https://www.ifixit.com/Teardown/iPhone+5c+Teardown/17382>).

(Continued)

Primary Examiner — Nathaniel D. Buckner
(74) *Attorney, Agent, or Firm* — Sterne, Kessler, Goldstein & Fox P.L.L.C.

(73) Assignee: **Apple Inc.**, Cupertino, CA (US)

(**) Term: **15 Years**

(21) Appl. No.: **29/687,166**

(22) Filed: **Apr. 11, 2019**

Related U.S. Application Data

(63) Continuation of application No. 29/662,277, filed on Sep. 4, 2018, now abandoned.

(51) **LOC (13) Cl.** **13-02**

(52) **U.S. Cl.**
USPC **D13/103**

(58) **Field of Classification Search**

USPC D13/102–106, 110, 118–119, 184
CPC . Y02E 60/10; H01M 2220/30; H01M 50/209;
H01M 50/213; H01M 50/183; H01M 50/10; H01M 50/529; H01M 50/531;
H01M 10/0525; H01M 10/0436; H01M 10/052; H01M 10/0565; H01M 10/30;
H01M 10/345; H01M 10/425; H01M 2010/0495; B25F 5/02; B25F 5/00; A61B 2017/00734

See application file for complete search history.

(56) **References Cited**

U.S. PATENT DOCUMENTS

D310,367 S 9/1990 Dockery
D320,649 S 10/1991 Fleming

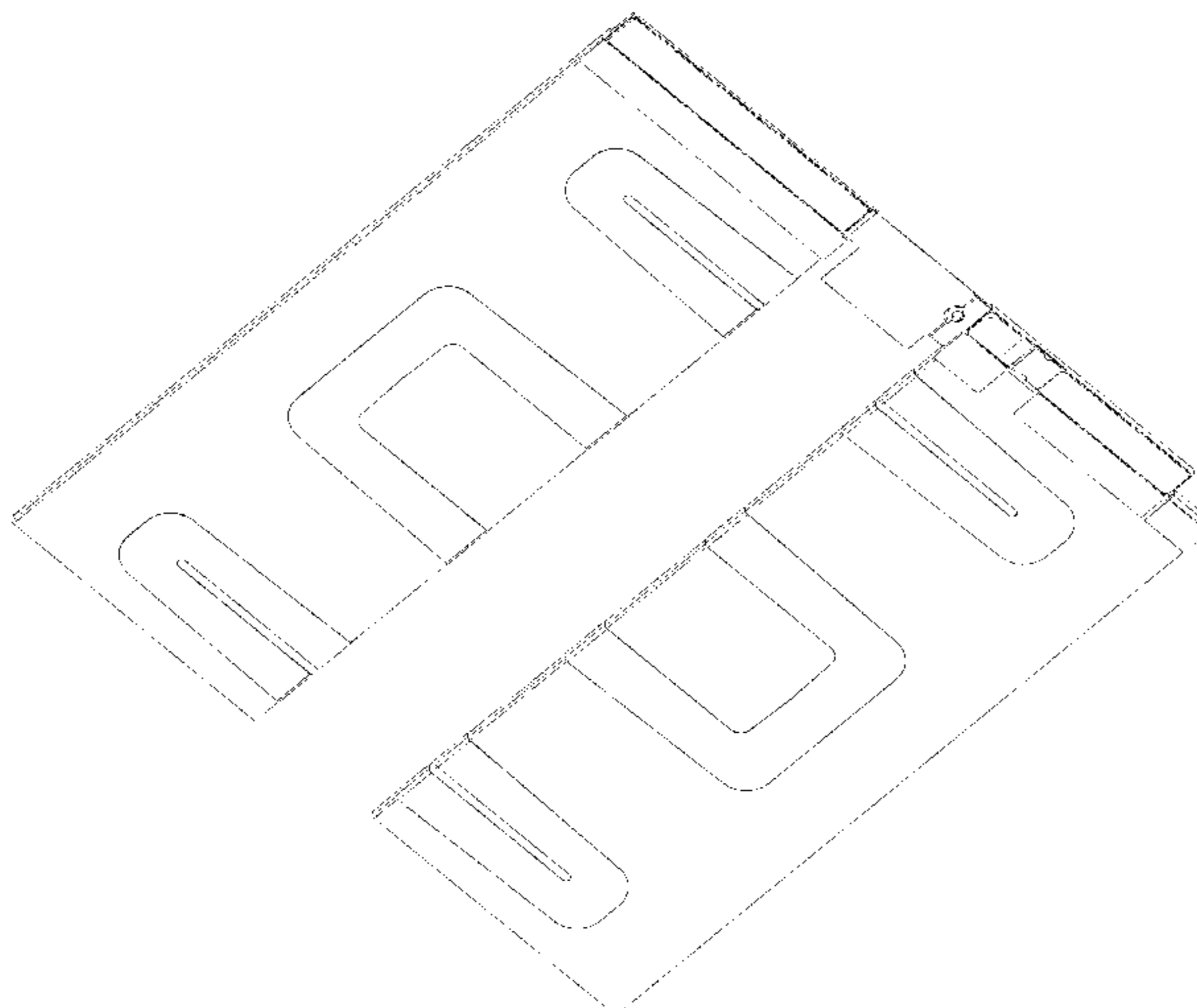
(57) **CLAIM**

The ornamental design for a battery for an electronic device, as shown and described.

DESCRIPTION

FIG. 1 is a bottom front perspective view of a battery for an electronic device showing the claimed design;
FIG. 2 is a bottom rear perspective view thereof;
FIG. 3 is a front view thereof;
FIG. 4 is a rear view thereof;
FIG. 5 is a left side view thereof;
FIG. 6 is a right side view thereof;
FIG. 7 is a top view thereof; and,
FIG. 8 is a bottom view thereof.
The broken lines in the figures show portions of the battery for an electronic device that form no part of the claimed design.

1 Claim, 6 Drawing Sheets



(56)

References Cited

U.S. PATENT DOCUMENTS

5,326,651 A 7/1994 Mehta et al.
D356,992 S 4/1995 Dilgard
5,436,089 A 7/1995 Fedele
D374,424 S 10/1996 Nagele
5,601,942 A 2/1997 Fedele
D407,063 S 3/1999 Reis
D409,973 S 5/1999 Iwamoto
D422,263 S 4/2000 Waldner
D435,827 S 1/2001 Rausch
D440,201 S 4/2001 Huynh et al.
D442,915 S 5/2001 Sasaoka
D454,544 S 3/2002 Takach, Jr. et al.
D460,411 S 7/2002 Wang
D477,275 S 7/2003 Wada
D479,193 S 9/2003 Fujihara et al.
D485,530 S 1/2004 Ogasawara
D489,325 S 5/2004 Nakamura
D494,924 S 8/2004 Maruyama
6,773,848 B1 * 8/2004 Nortoft H01M 50/581
429/158
D495,992 S 9/2004 Lim
6,884,540 B2 4/2005 Chikada
D516,026 S 2/2006 Barrett et al.
D517,478 S 3/2006 Bayat et al.
D519,919 S 5/2006 Yokota
D532,363 S 11/2006 Morisawa
D535,249 S 1/2007 Ogasawara
D538,225 S 3/2007 Lyman et al.
D546,277 S 7/2007 Andre et al.
D548,176 S 8/2007 Eto et al.
D548,686 S 8/2007 Eto et al.
7,595,129 B2 9/2009 Kato
D614,124 S 4/2010 Mistyurik
D625,263 S 10/2010 Takuma
D635,506 S 4/2011 Morisawa
D637,157 S 5/2011 Andre et al.
D637,193 S 5/2011 Andre et al.
D642,515 S 8/2011 Crawford et al.
D653,611 S 2/2012 Lee et al.
D655,673 S 3/2012 Masui
D658,583 S 5/2012 Andre et al.
8,168,319 B2 5/2012 Spare et al.
D666,148 S * 8/2012 Inaba D13/119
D669,427 S 10/2012 Ignor et al.
D669,849 S 10/2012 Morisawa
8,309,245 B2 11/2012 Coish et al.
D672,713 S 12/2012 Masui
D674,749 S * 1/2013 Moore D13/119
D677,620 S 3/2013 Corbin et al.
D678,184 S 3/2013 Banko et al.
D678,188 S 3/2013 Sasada
D684,529 S 6/2013 Moon et al.
D684,530 S 6/2013 Moon et al.
D684,531 S 6/2013 Moon et al.
D684,532 S 6/2013 Ignor et al.
D684,926 S 6/2013 Murchison et al.
D685,319 S 7/2013 Ignor et al.
D685,731 S 7/2013 Brown et al.
D686,147 S 7/2013 Morisawa
D686,148 S 7/2013 Inaba
D689,018 S 9/2013 Honda et al.
D692,823 S 11/2013 Tanaka
D693,292 S 11/2013 Salvi et al.
D696,186 S 12/2013 Kannou et al.
D697,479 S 1/2014 Andre et al.
D700,137 S 2/2014 Ashida et al.
8,703,322 B2 4/2014 Lee et al.
D704,625 S 5/2014 Tsutsumi et al.
D708,128 S 7/2014 Andre et al.
D708,269 S 7/2014 Moore et al.
D709,026 S 7/2014 Lee et al.
D709,440 S 7/2014 Kwon et al.
D709,441 S 7/2014 Kwon et al.
D709,442 S 7/2014 Kwon et al.
D709,443 S 7/2014 Kwon et al.

D709,822 S 7/2014 Kwon et al.
D709,823 S 7/2014 Corley et al.
D711,310 S 8/2014 Sanders
D711,311 S 8/2014 Corbin et al.
D712,345 S 9/2014 Kwon et al.
D712,346 S 9/2014 Kwon et al.
D712,835 S 9/2014 Yasuda et al.
D713,785 S 9/2014 Tehrani
D714,718 S 10/2014 Loeckenhoff et al.
D716,721 S 11/2014 Kwon et al.
D716,722 S 11/2014 Kwon et al.
D716,723 S 11/2014 Kwon et al.
D717,800 S 11/2014 Akana et al.
D718,753 S 12/2014 Akana et al.
D719,085 S 12/2014 Aoyagi et al.
D719,087 S 12/2014 Bataillou et al.
D724,014 S 3/2015 Kwon et al.
D724,015 S 3/2015 Kwon et al.
D724,016 S 3/2015 Kwon et al.
D724,017 S 3/2015 Kwon et al.
D724,019 S 3/2015 Kwon et al.
D724,020 S 3/2015 Kwon et al.
D724,021 S 3/2015 Kwon et al.
D724,022 S 3/2015 Kwon et al.
D724,528 S 3/2015 Kwon et al.
D724,529 S 3/2015 Kwon et al.
D724,530 S 3/2015 Kwon et al.
D724,532 S 3/2015 Kwon et al.
D724,533 S 3/2015 Kwon et al.
D729,805 S 5/2015 Bataillou et al.
D738,821 S 9/2015 Banko et al.
D743,399 S 11/2015 Frank
D758,961 S 6/2016 Aoyagi et al.
D765,625 S 9/2016 Akana et al.
9,570,775 B2 2/2017 Huang et al.
9,711,770 B2 7/2017 Anastas et al.
9,735,595 B2 8/2017 Colahan et al.
D805,027 S * 12/2017 Andre D13/103
D807,824 S 1/2018 Krivonak et al.
D808,897 S 1/2018 Mascolo et al.
D810,011 S * 2/2018 Nelson H01M 10/058
D13/103
9,887,403 B2 2/2018 Huang et al.
D830,964 S * 10/2018 Aoyagi D13/103
D843,934 S * 3/2019 Tan D13/103
D906,234 S * 12/2020 Bigdeli D13/103
D910,545 S * 2/2021 Dinh D13/103
2002/0094475 A1 7/2002 Aoyama
2009/0274953 A1 11/2009 Myers et al.
2012/0208046 A1 8/2012 Koh
2014/0065474 A1 3/2014 Werner et al.
2014/0265915 A1 9/2014 Huang et al.
2014/0272541 A1 9/2014 Huang et al.
2014/0273890 A1 9/2014 Huang et al.
2015/0044511 A1 * 2/2015 Kim H01M 50/502
429/7
2015/0311495 A1 * 10/2015 Wang H01M 50/209
429/121
2020/0243809 A1 * 7/2020 Nordstrand H01M 50/543
2020/0328385 A1 * 10/2020 Hou H01M 50/502

OTHER PUBLICATIONS

Kazmucha, A., "How to Replace the Battery in an iPhone 4S," iMore, [Retrieved on Aug. 28, 2012], Retrieved from the Internet: (URL: <http://www.imore.com/how-diy-replace-battery-iphone-4s>).

Klug, B., "Motorola Droid Bionic Review" Retrieved on Oct. 11, 2011, AnandTech, Retrieved from the Internet: (URL: <https://www.anandtech.com/show/4910/motorola-droid-bionic-review-dual-core-with-4g-lte/2>).

Leather, A., "How to Replace the iPhone 5's Battery," Forbes, Retrieved on Oct. 31, 2013, Retrieved from the Internet: (URL: <http://www.forbes.com/sites/antonyleather/2013/10/31/how-to-replace-the-i-phone-5s-battery/>).

New Original Battery for Apple iPhone 6 4.7 inch Cellphone Bateriai 1810mAh 3.8V, Retrieved on Oct. 9, 2015, Retrieved from the

(56)

References Cited

OTHER PUBLICATIONS

Internet: (URL: Hyratech.com <https://www.hyratech.com/product.php?productid=8743cat=28644&page=1>).

Original iPhone 6 Battery Replacement, iPhonefix UK, Retrieved on Oct. 9, 2015, Retrieved from the Internet: (URL: <http://www.iphonefixuk.co.uk/products/original-iphone-6-battery-replacement>).

* cited by examiner

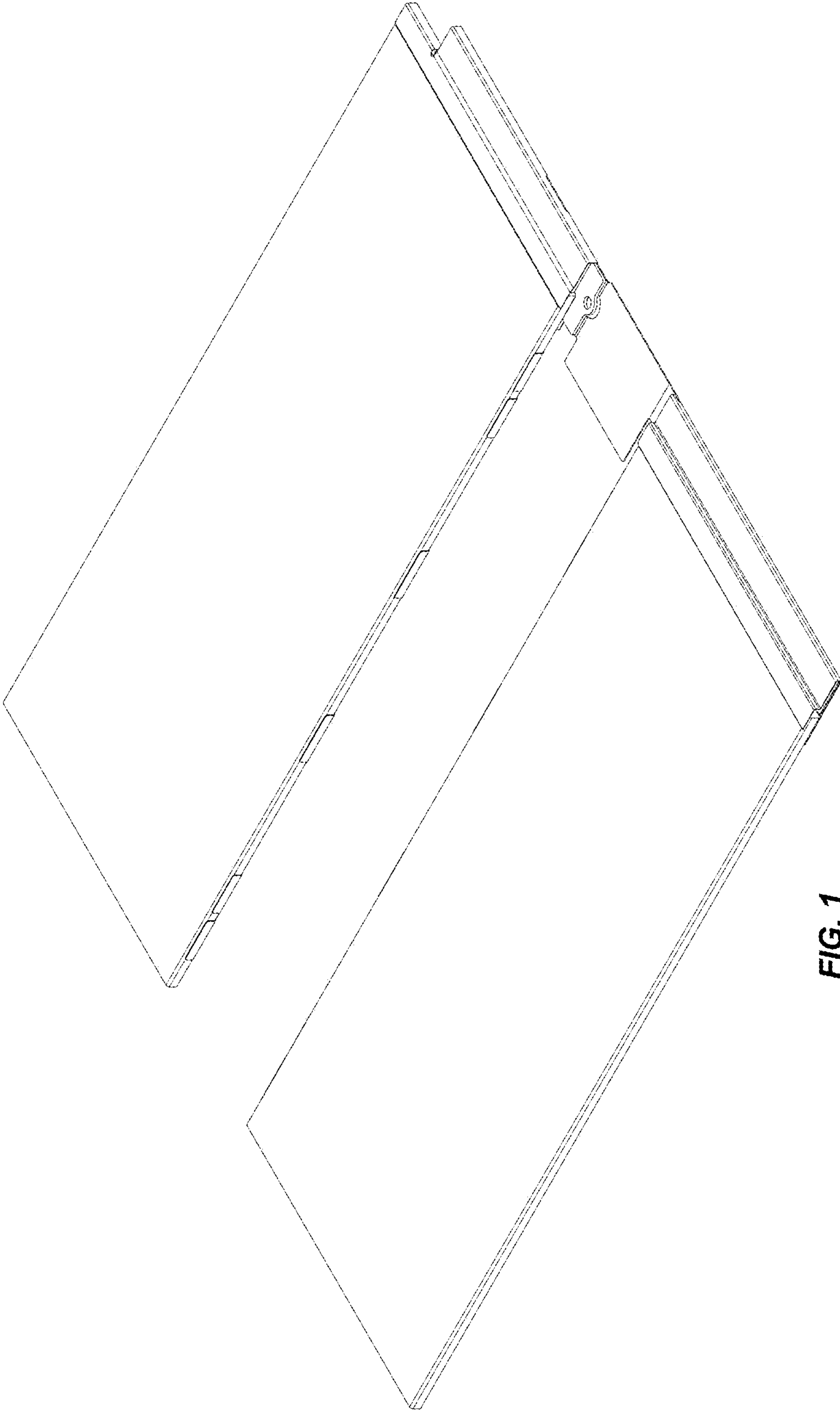


FIG. 1

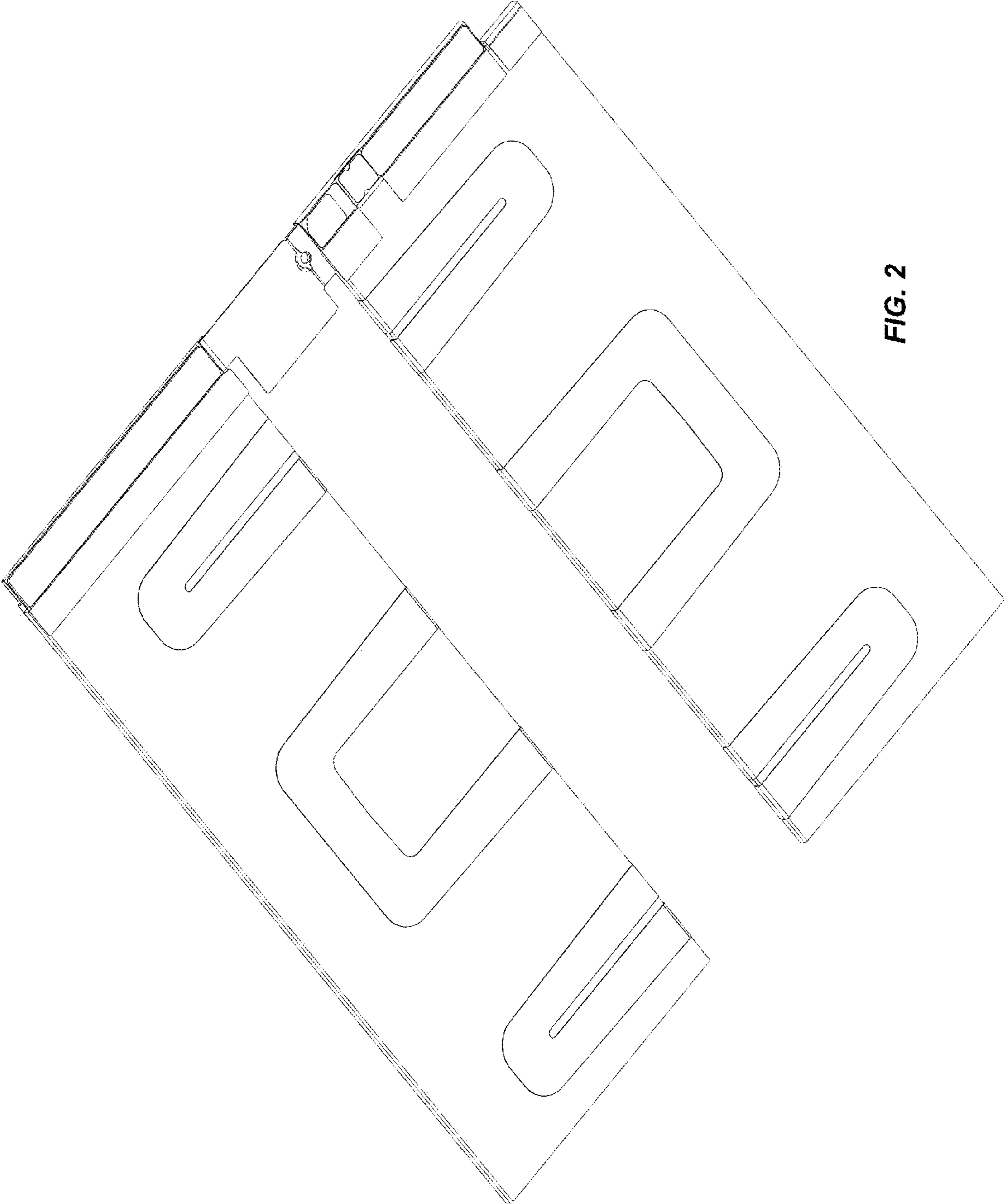


FIG. 2

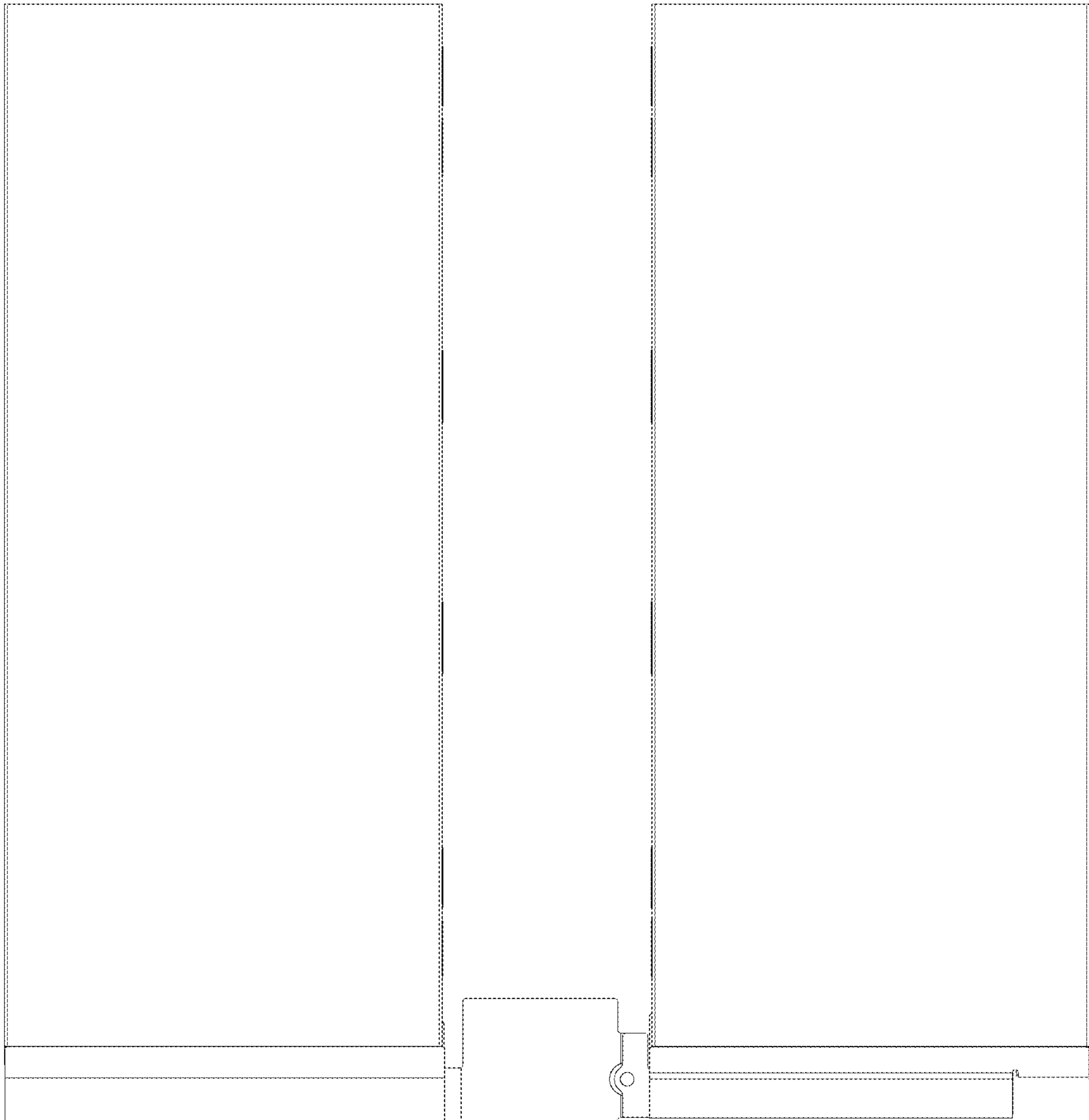


FIG. 3

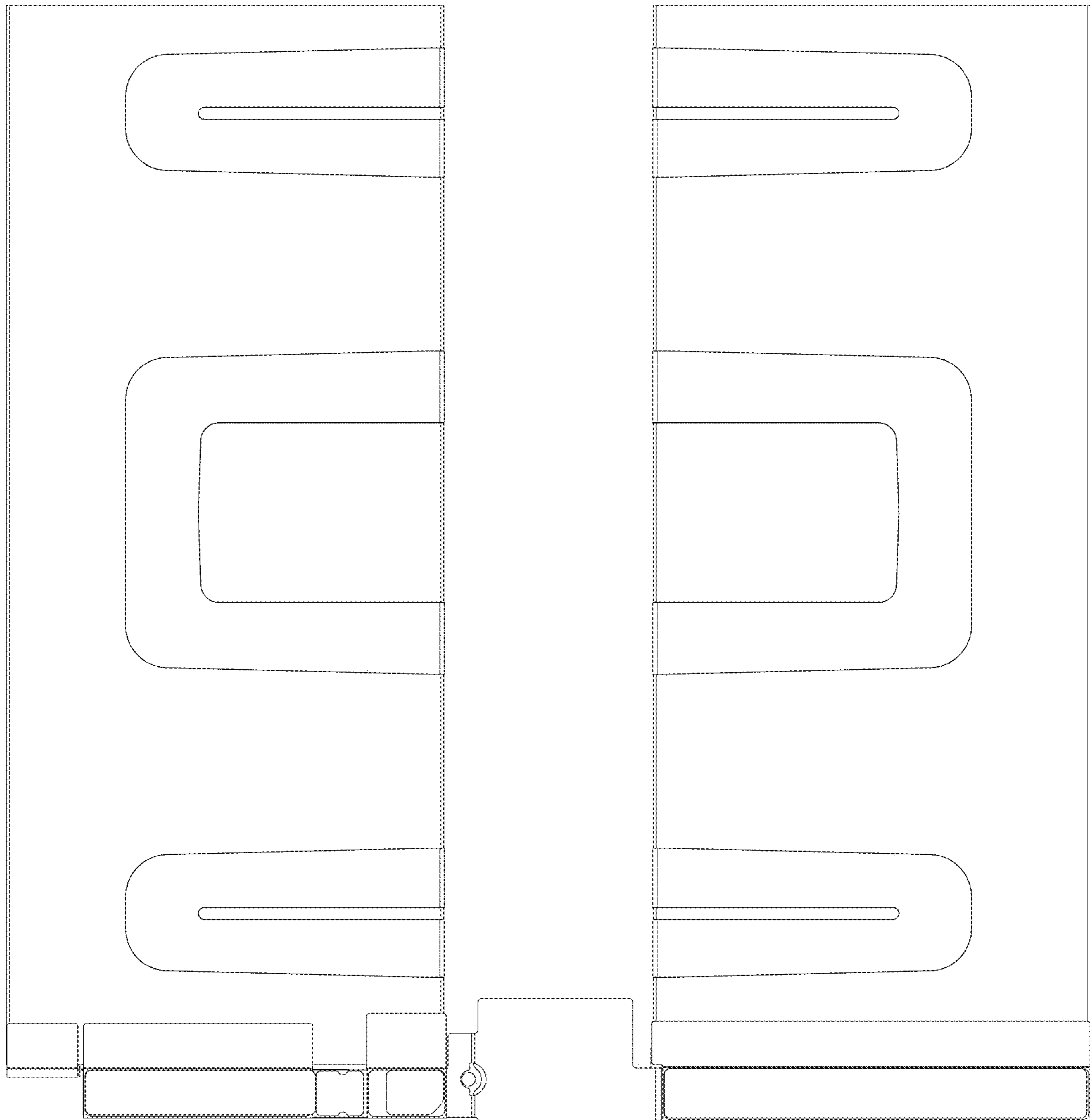


FIG. 4



FIG. 5

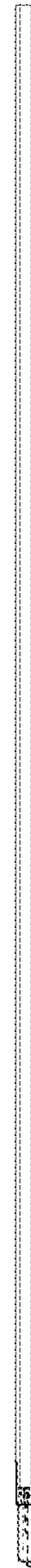


FIG. 6



FIG. 7



FIG. 8