



US00D949779S

(12) **United States Design Patent** (10) **Patent No.:** **US D949,779 S**
Sugino (45) **Date of Patent:** **** Apr. 26, 2022**

(54) **VALVE COMPONENT FOR VEHICLE TYRES**

(71) Applicant: **PACIFIC INDUSTRIAL CO., LTD.,**
Ogaki (JP)

(72) Inventor: **Takumi Sugino,** Ogaki (JP)

(73) Assignee: **PACIFIC INDUSTRIAL CO., LTD.,**
Ogaki (JP)

(**) Term: **15 Years**

(21) Appl. No.: **35/510,403**

(22) Filed: **Mar. 19, 2020**

(80) **Hague Agreement Data**

Int. Filing Date: **Mar. 19, 2020**
Int. Reg. No.: **DM/208230**
Int. Reg. Date: **Mar. 19, 2020**
Int. Reg. Pub. Date: **Sep. 25, 2020**

(30) **Foreign Application Priority Data**

Sep. 27, 2019 (WO) PCT/JP2019/038106

(51) **LOC (13) Cl.** **12-15**

(52) **U.S. Cl.**
USPC **D12/607**
CPC **B60C 23/0494** (2013.01)

(58) **Field of Classification Search**
USPC D12/604, 606, 607; D23/233, 235
CPC ... B60C 29/02; B60C 29/005; B60C 23/0494;
B60C 23/0496

See application file for complete search history.

(56) **References Cited**

U.S. PATENT DOCUMENTS

D243,391 S * 2/1977 Schmidt D12/606
D268,924 S * 5/1983 Winther D12/606
D304,817 S * 11/1989 Earley D12/606
D305,222 S * 12/1989 Geib D12/606
D400,422 S * 11/1998 Dennison D8/305

D405,743 S * 2/1999 Hussaini D12/607
D410,874 S * 6/1999 Zastudil D12/606
D441,053 S * 4/2001 Fan D12/606
D443,235 S * 6/2001 Hsu D12/607
D445,734 S * 7/2001 Sheu D12/607
D445,735 S * 7/2001 Sheu D12/607
D445,736 S * 7/2001 Sheu D12/607
D445,737 S * 7/2001 Sheu D12/607
D449,259 S * 10/2001 Sheu D12/607
D449,805 S * 10/2001 Sheu D12/607
D496,627 S * 9/2004 Nikolayev D12/606
D617,729 S * 6/2010 McGrath D12/607
D624,010 S * 9/2010 Tournier D12/606
D624,875 S * 10/2010 Cowles D12/607
D627,294 S * 11/2010 Cowles D12/607
D631,003 S * 1/2011 Stover D12/606

(Continued)

FOREIGN PATENT DOCUMENTS

JP 2005-036963 A 2/2005
JP 2017-129239 A 7/2017

Primary Examiner — Richard E Chilcot
(74) *Attorney, Agent, or Firm* — Oliff PLC

(57) **CLAIM**

The ornamental design for a valve component for vehicle tyres, as shown and described.

DESCRIPTION

1.-4. Valve component for vehicle tyres

1.1 : Perspective

1.2 : Front

1.3 : Back

1.4 : Left

1.5 : Right

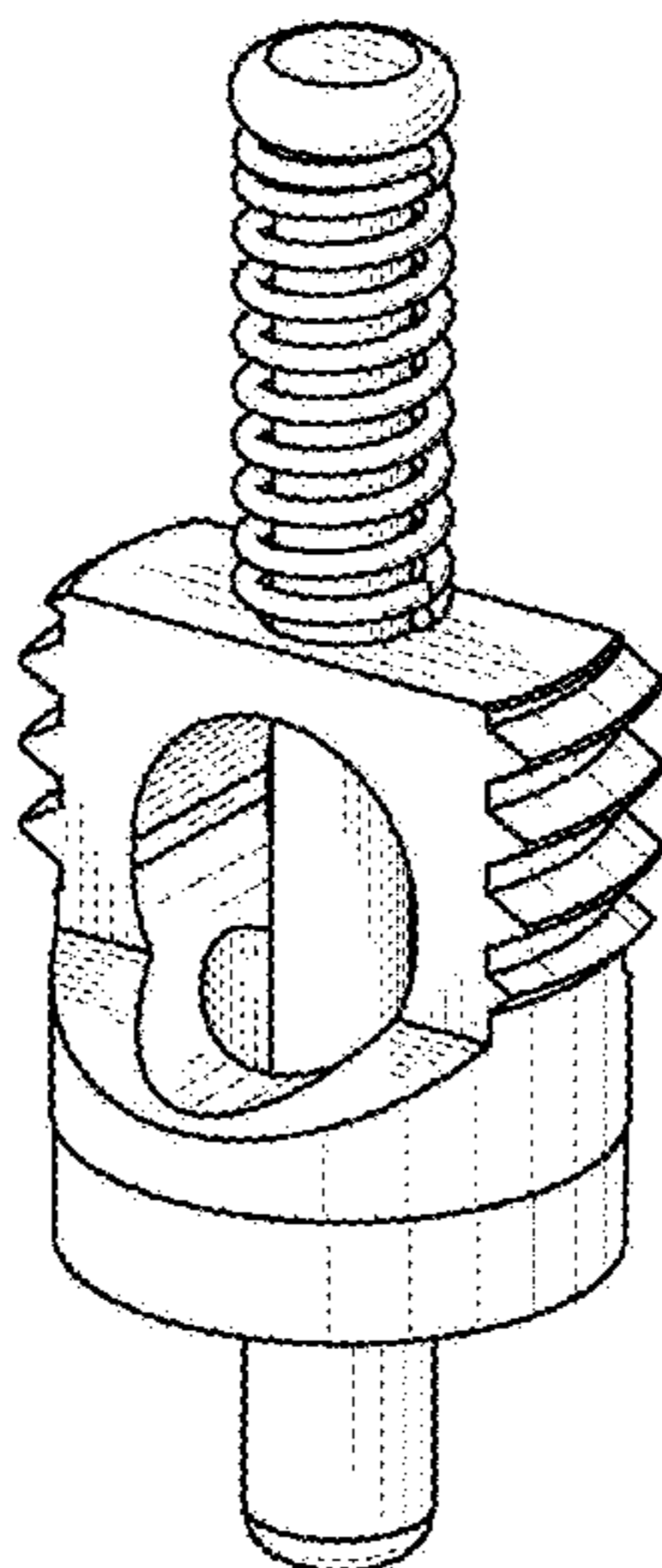
1.6 : Top

1.7 : Bottom

1.8 : Front view showing valve open state

The thin lines such as parallel lines and the like in the representation represent contours only and do not illustrate an ornamentation or decoration on the surface of the product.

1 Claim, 8 Drawing Sheets



(56)

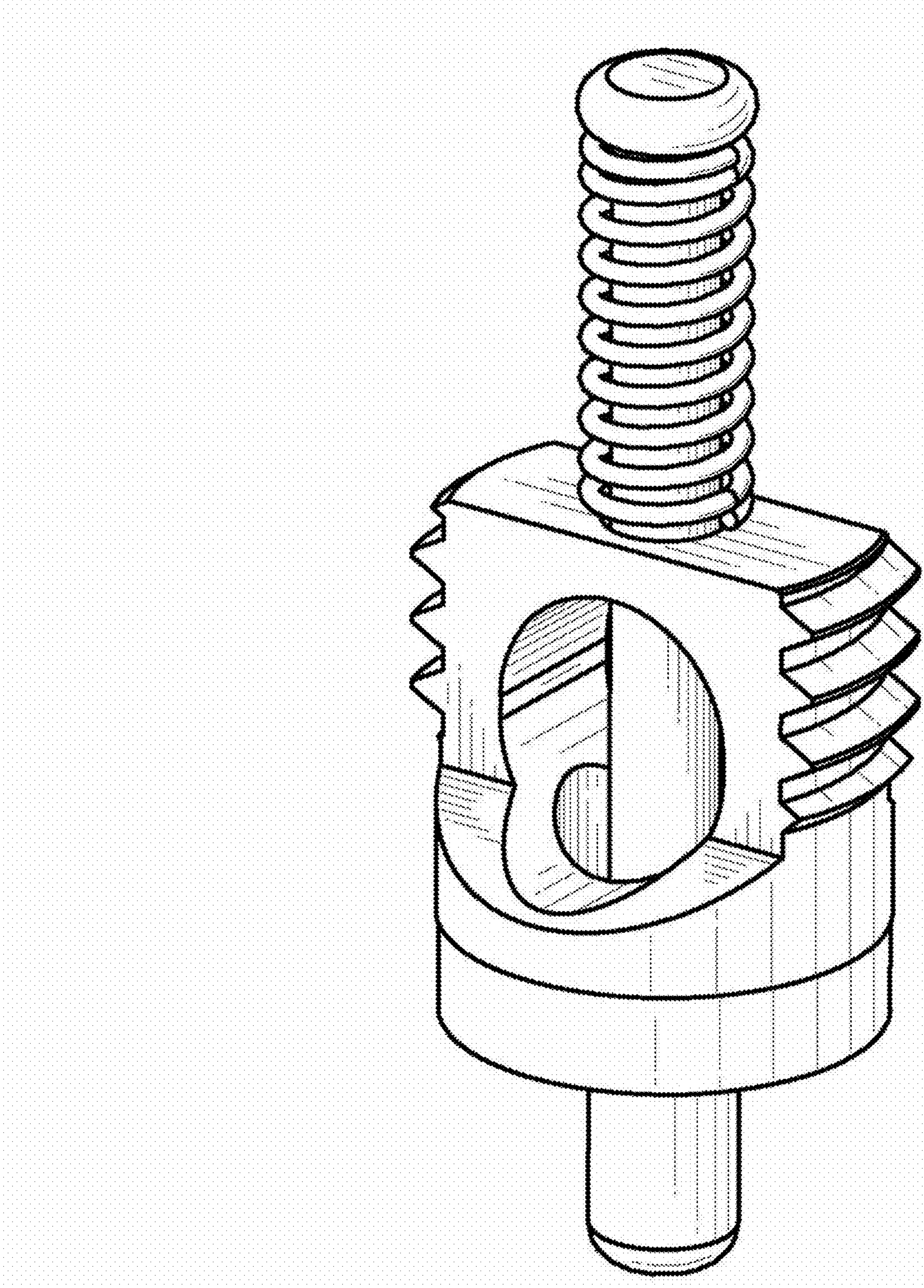
References Cited

U.S. PATENT DOCUMENTS

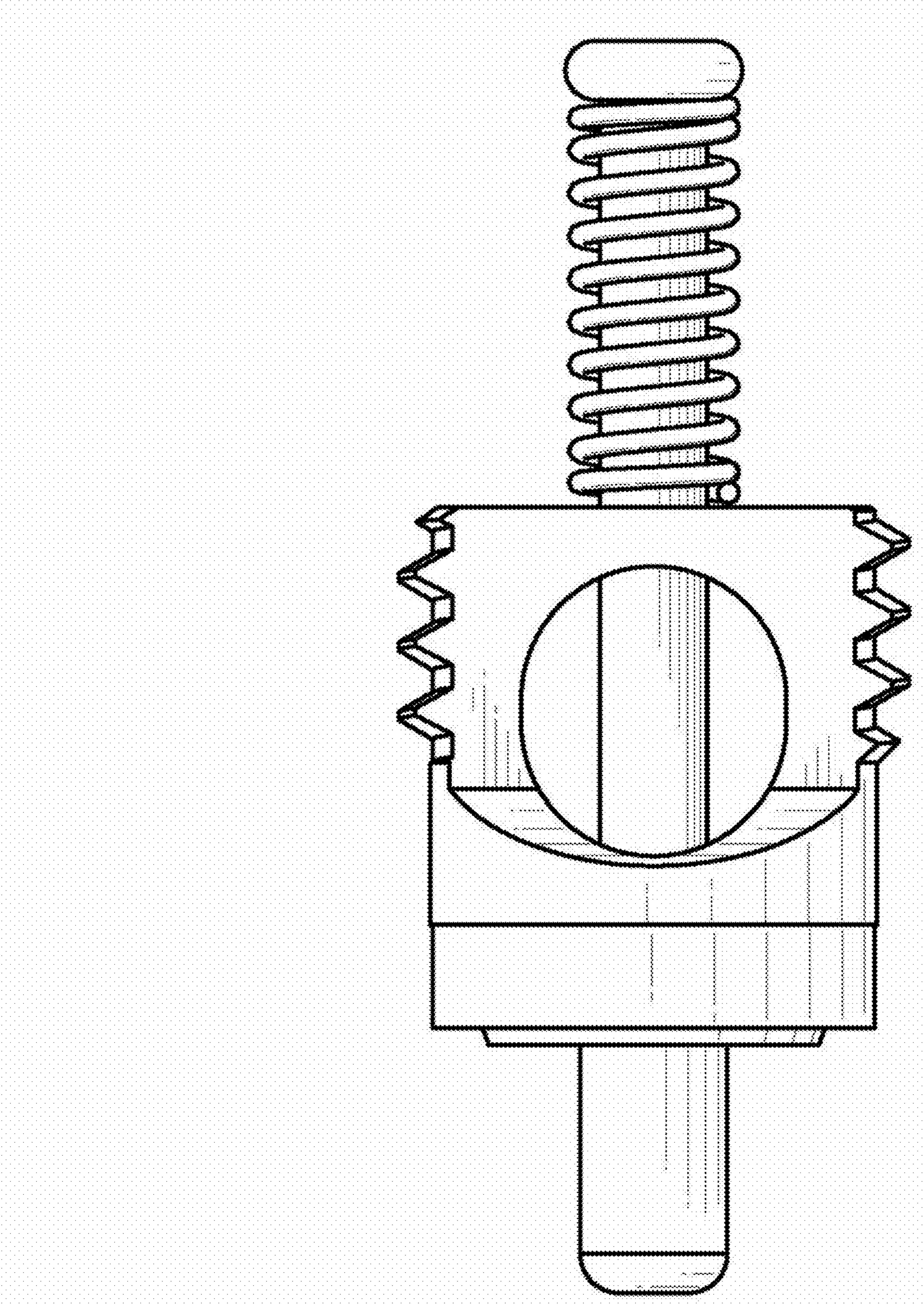
D712,821	S *	9/2014	Puppis	D12/607
D749,500	S *	2/2016	Merzig	D12/607
D808,896	S *	1/2018	Tsionidis	D12/606
D883,914	S *	5/2020	Johnson	F16K 15/20
				D12/606
D933,583	S *	10/2021	Su	D12/607
2004/0261848	A1	12/2004	Kayukawa	
2007/0251580	A1 *	11/2007	Perry	F16K 15/205
				137/382
2010/0024539	A1 *	2/2010	Hamm	B60C 23/0408
				73/146.5
2012/0118057	A1 *	5/2012	Rigney	B60C 23/0494
				73/146.8
2013/0333459	A1 *	12/2013	Yu	B60C 23/0494
				73/146.8
2015/0165845	A1 *	6/2015	Poertner	B60C 29/005
				137/231
2015/0375583	A1 *	12/2015	Chen	B60C 23/0494
				152/427
2016/0178075	A1 *	6/2016	Chen	B60C 29/005
				137/227
2016/0325593	A1 *	11/2016	Austin	B60C 29/068
2018/0126805	A1 *	5/2018	Ramsubagh	B60C 23/0496
2018/0274690	A1	9/2018	Yamamoto et al.	
2018/0333997	A1 *	11/2018	Vargus	B60C 29/005
2018/0370305	A1 *	12/2018	Krefting	B60C 29/02
2019/0263201	A1 *	8/2019	Chang	B60C 29/02
2019/0390785	A1 *	12/2019	Moore	B60C 29/005
2020/0079162	A1 *	3/2020	Wyne	B60C 29/02
2020/0086700	A1 *	3/2020	Kobler	F16K 15/202

* cited by examiner

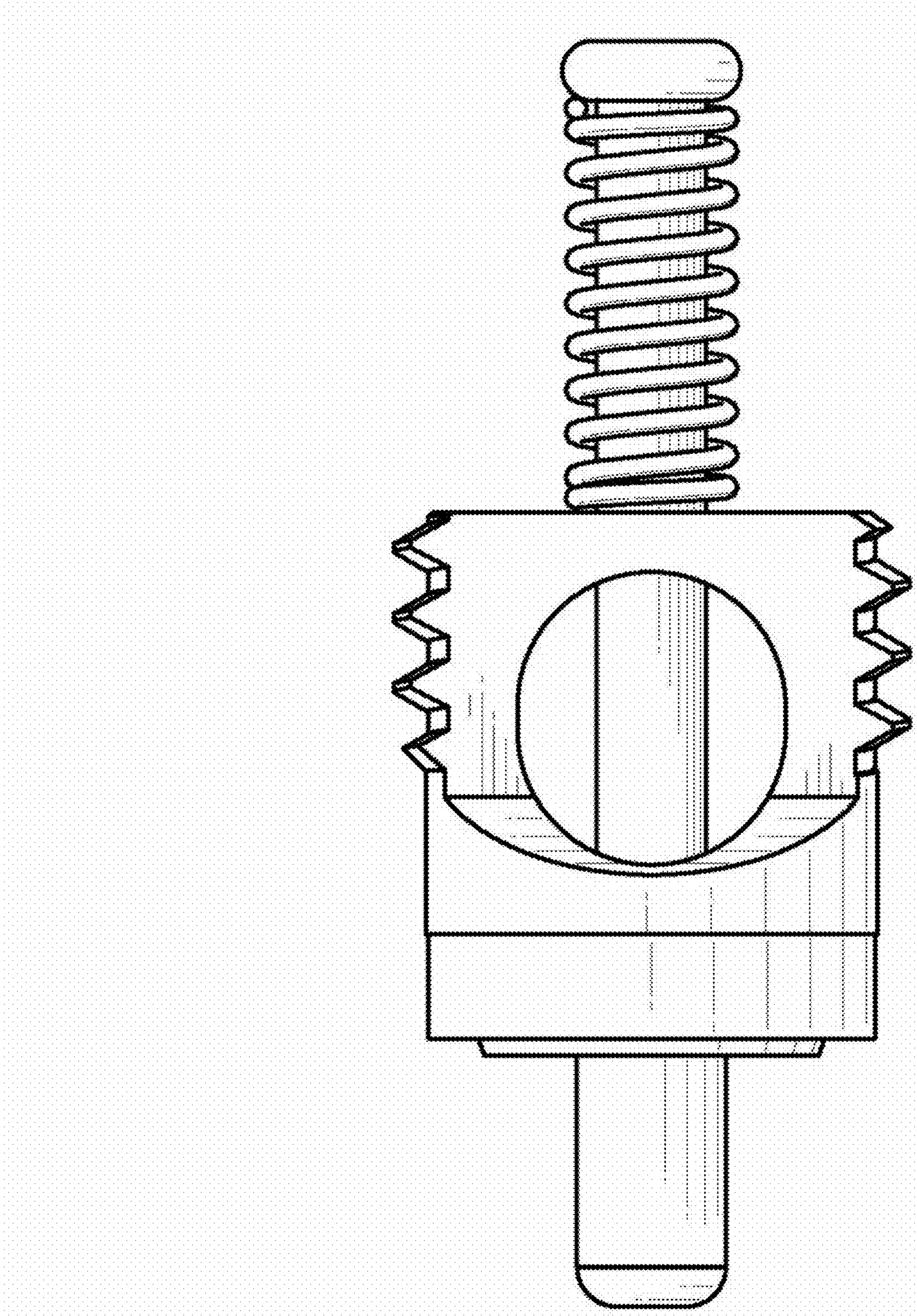
1.1



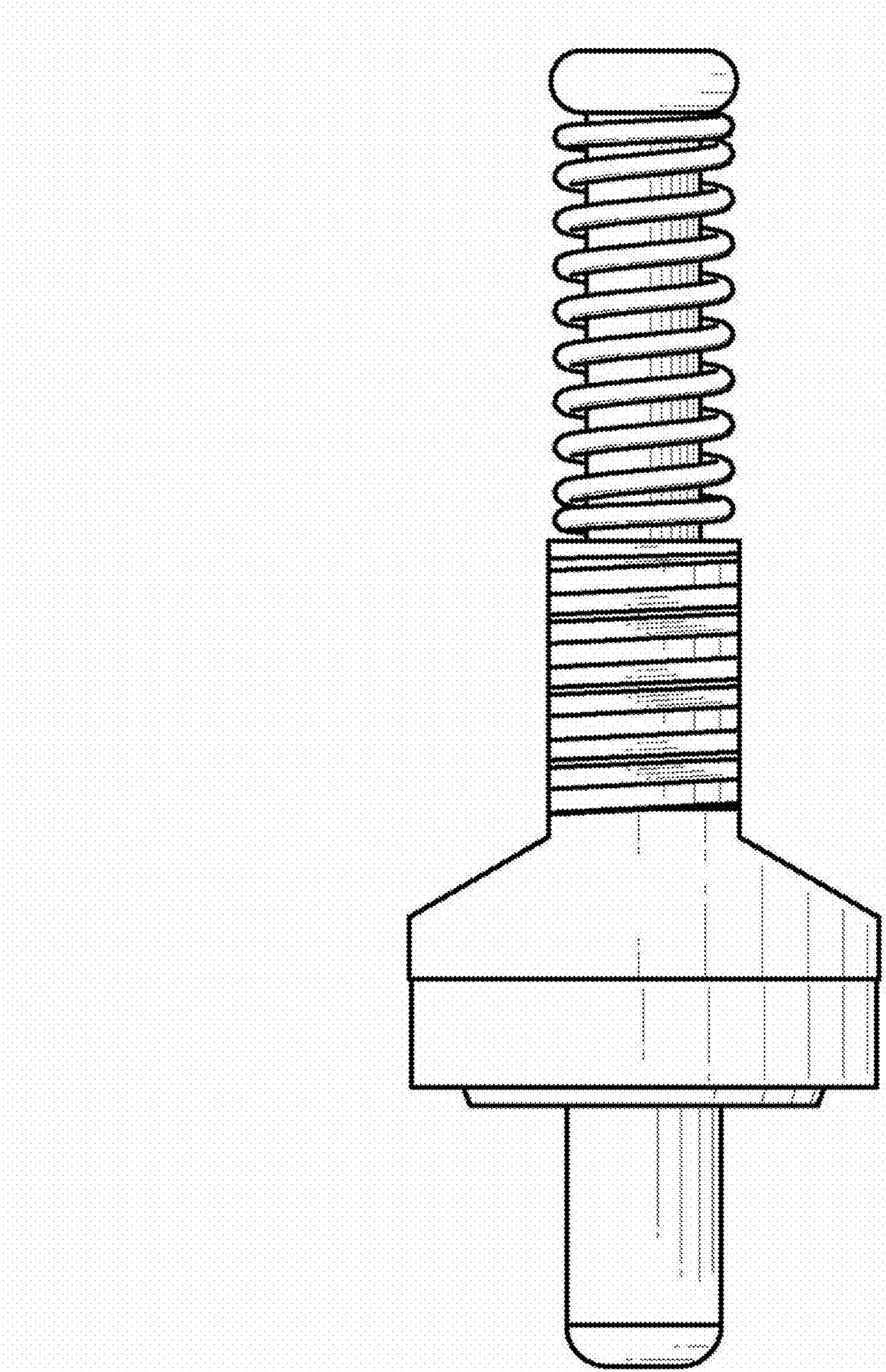
1.2



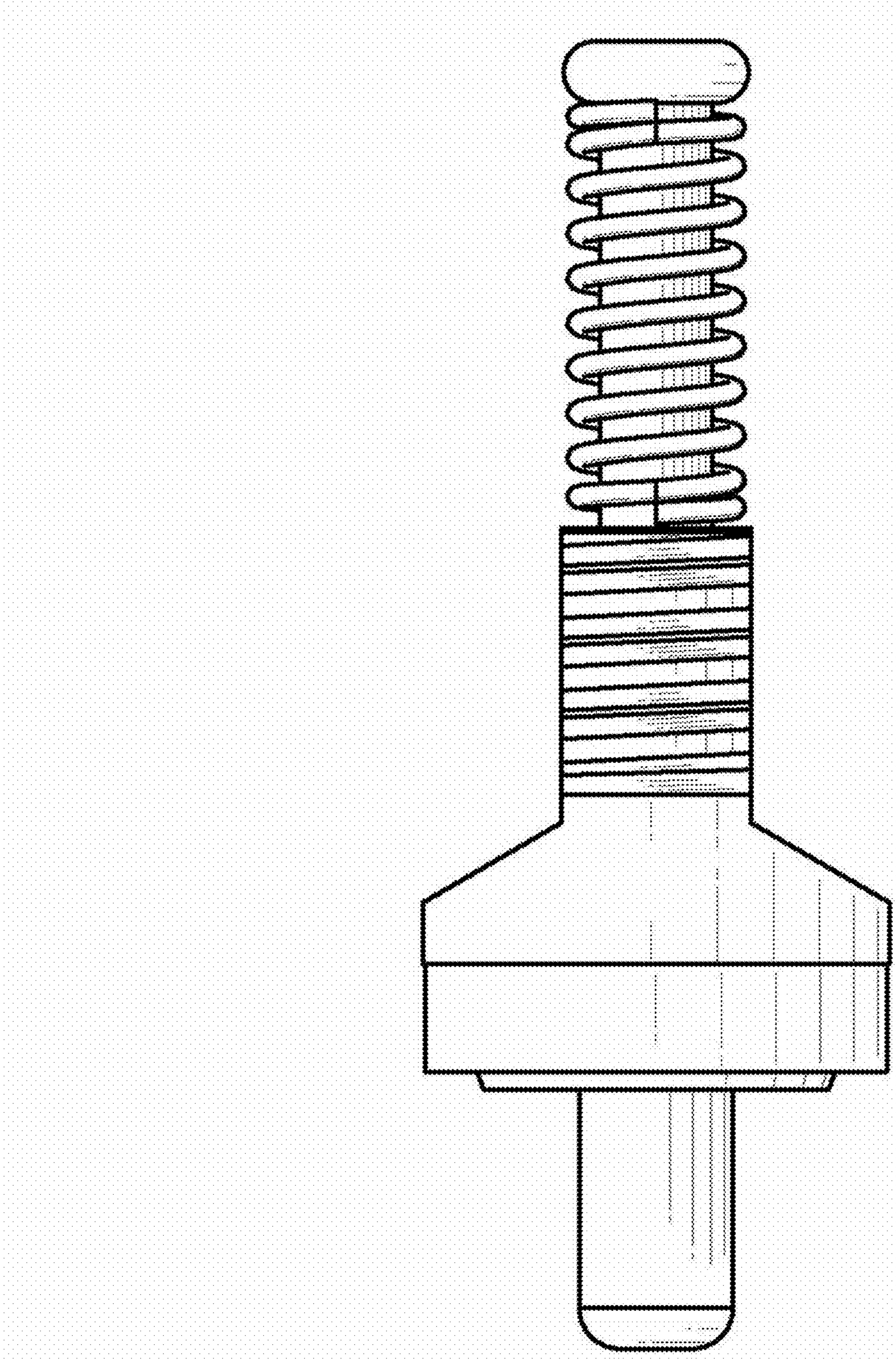
1.3



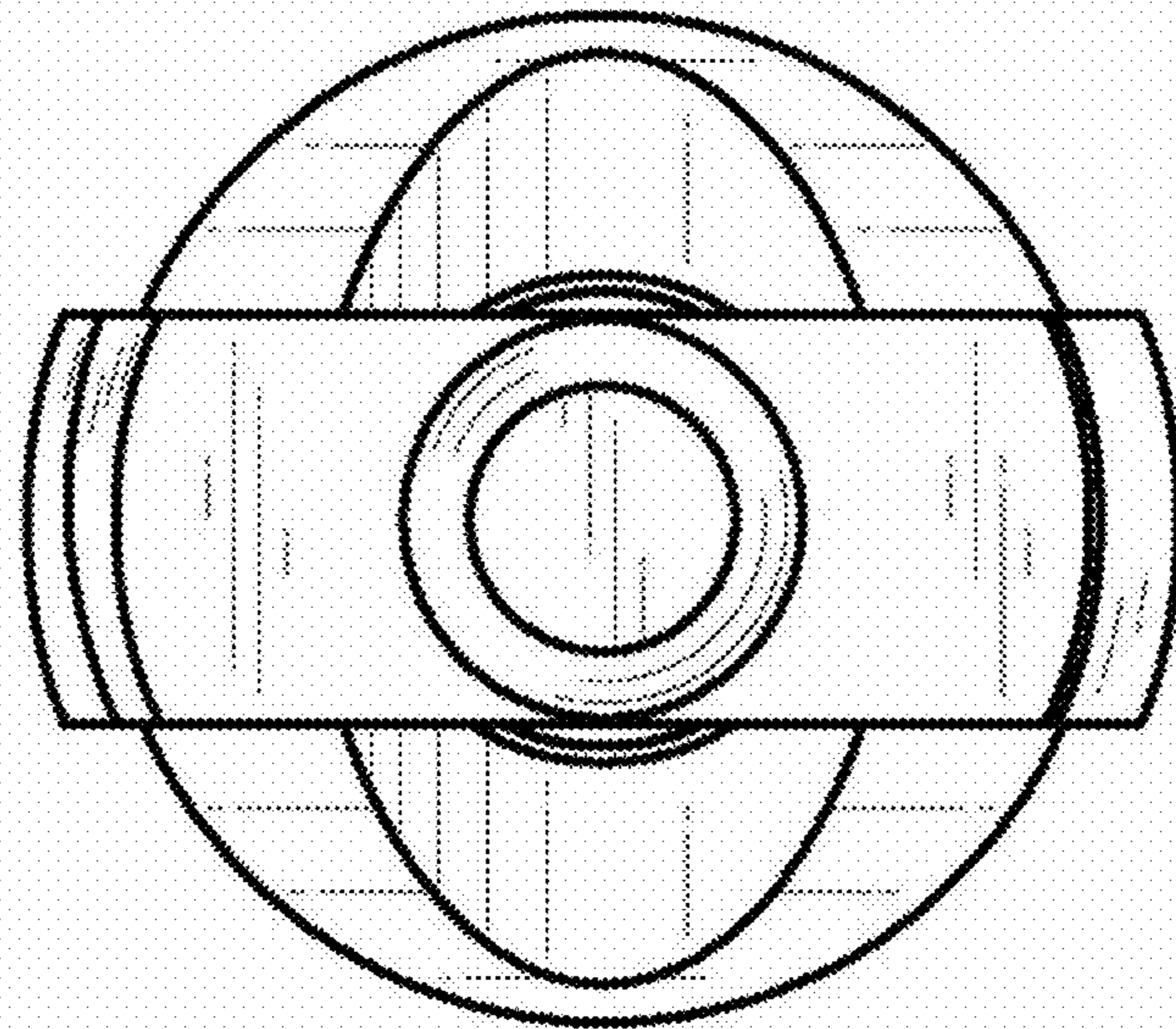
1.4



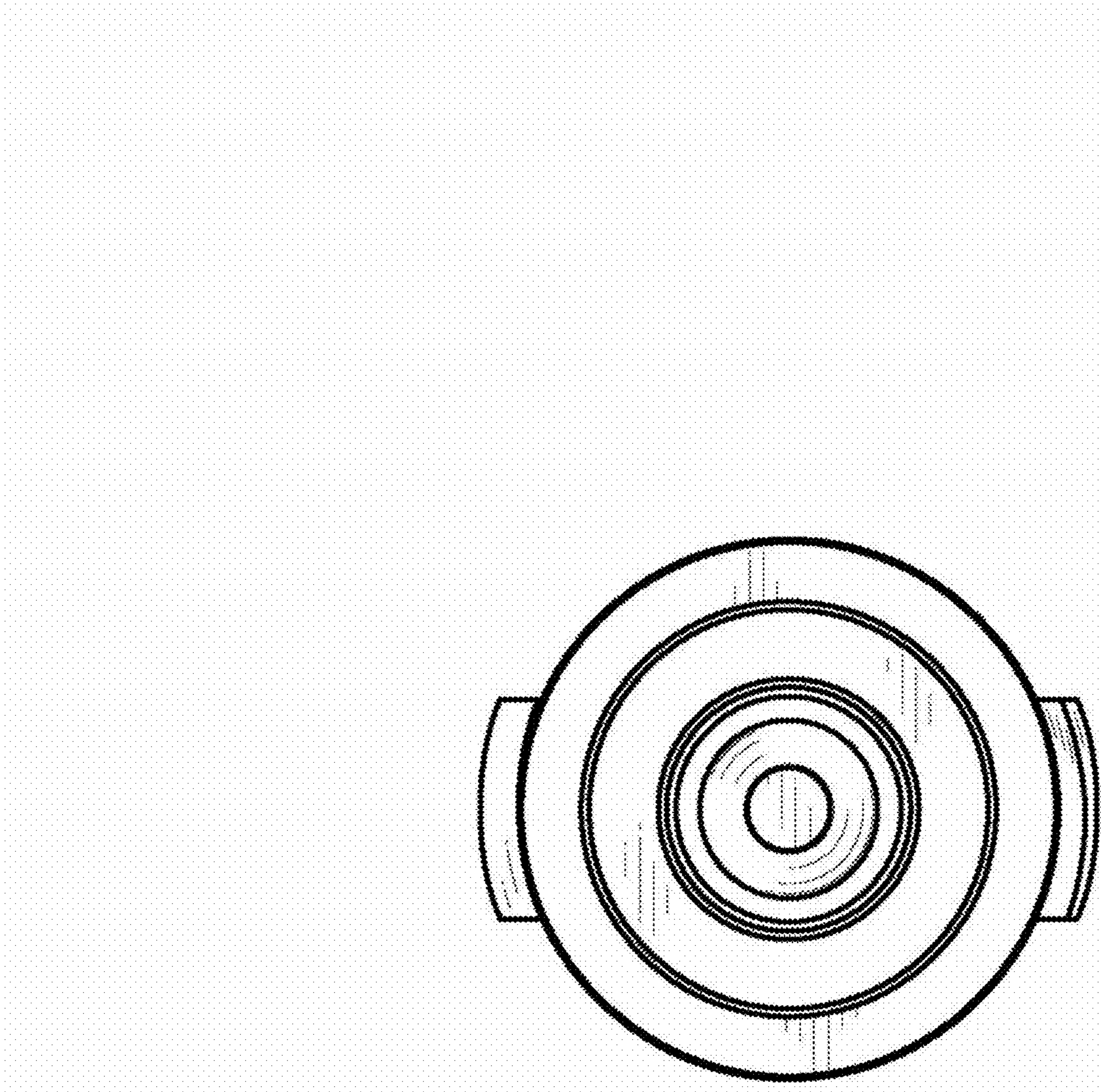
1.5



1.6



1.7



1.8

