



US00D949778S

(12) **United States Design Patent** (10) **Patent No.:** **US D949,778 S**  
**Ebata et al.** (45) **Date of Patent:** **\*\* Apr. 26, 2022**

(54) **TIRE TREAD**

(71) Applicant: **BRIDGESTONE CORPORATION**,  
Tokyo (JP)

(72) Inventors: **Hiroaki Ebata**, Kodaira (JP); **Tomoo Hasegawa**, Kodaira (JP); **Masakazu Sakamoto**, Kodaira (JP)

(73) Assignee: **BRIDGESTONE CORPORATION**,  
Tokyo (JP)

(\*\*) Term: **15 Years**

(21) Appl. No.: **29/715,956**

(22) Filed: **Dec. 5, 2019**

(30) **Foreign Application Priority Data**

Jul. 17, 2019 (JP) ..... 2019-016072

(51) **LOC (13) Cl.** ..... **12-15**

(52) **U.S. Cl.**  
USPC ..... **D12/565**

(58) **Field of Classification Search**  
USPC ..... D12/533-567, 604  
CPC ..... Y10T 152/10027; B60C 1/0016; B60C  
11/0306; B60C 11/0302; B60C 3/06;  
B60C 9/17

See application file for complete search history.

(56) **References Cited**

**U.S. PATENT DOCUMENTS**

D584,217 S \* 1/2009 Scheuren ..... D12/549  
D758,287 S \* 6/2016 Zivkovic ..... D12/549  
D781,217 S \* 3/2017 Hasegawa ..... D12/566  
D782,961 S \* 4/2017 Hasegawa ..... D12/561  
9,902,207 B2 \* 2/2018 Kleffmann ..... B60C 11/033

D845,884 S \* 4/2019 Fujiwara ..... D12/565  
D873,761 S \* 1/2020 Kubota ..... D12/564  
D886,030 S \* 6/2020 Le ..... D12/565  
2018/0086152 A1 \* 3/2018 Hibino ..... B60C 11/1369  
2021/0260928 A1 \* 8/2021 Sakamoto ..... B60C 11/1392

**FOREIGN PATENT DOCUMENTS**

JP 1539609 S 12/2015  
JP 1540658 S 12/2015

\* cited by examiner

*Primary Examiner* — John A Voytek

(74) *Attorney, Agent, or Firm* — Kenja IP Law PC

(57) **CLAIM**

The ornamental design for a tire tread, as shown and described.

**DESCRIPTION**

FIG. 1 is a perspective view of a tire tread showing our new design;

FIG. 2 is a front view thereof;

FIG. 3 is a top view thereof;

FIG. 4 is a right side view thereof;

FIG. 5 is a left side view thereof;

FIG. 6 is a fragmentary enlarged front view thereof;

FIG. 7 is an end view taken along line 7-7 in FIG. 6 thereof;

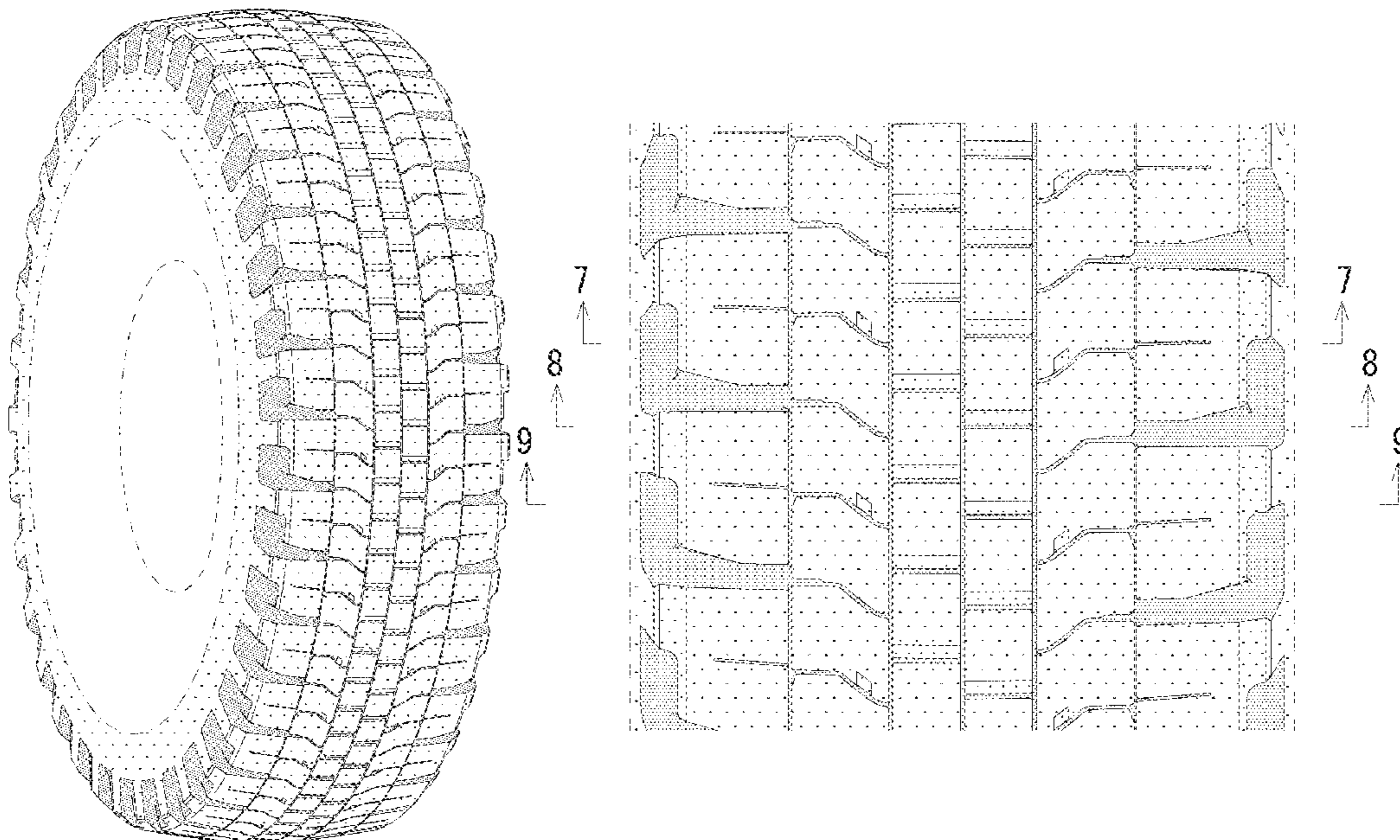
FIG. 8 is an end view taken along line 8-8 in FIG. 6 thereof;

and,

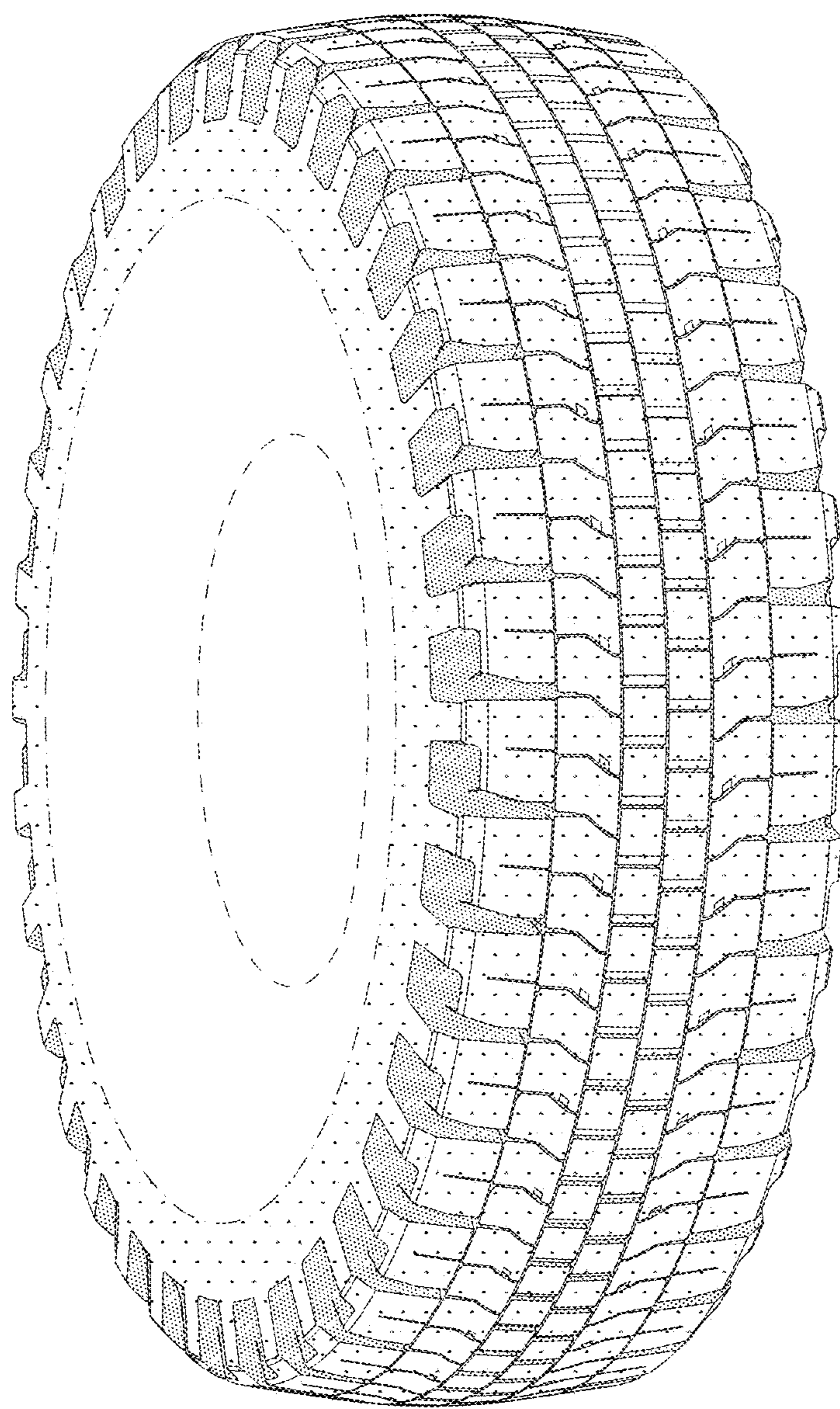
FIG. 9 is an end view taken along line 9-9 in FIG. 6 thereof.

Broken lines shown in the drawings are intended to show portions of the tire tread that are not being claimed, and thus illustrative purpose only and form no part of the claimed design. The light stippled surface shading represents the surface of the tire tread, and the dark stippled surface shading represents the recessed portion of the tread grooves, having the depth as shown in FIGS. 7-9.

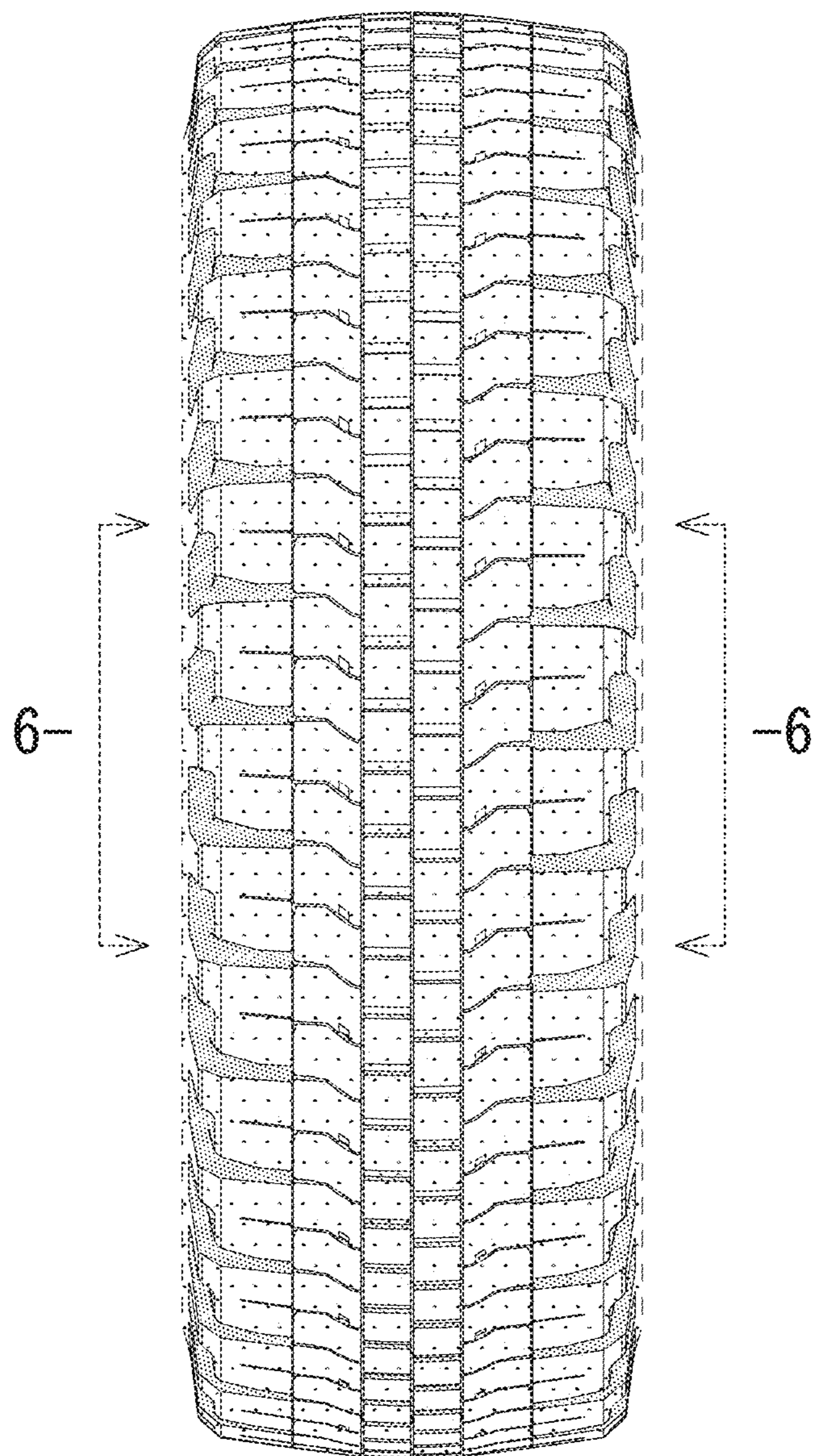
**1 Claim, 9 Drawing Sheets**



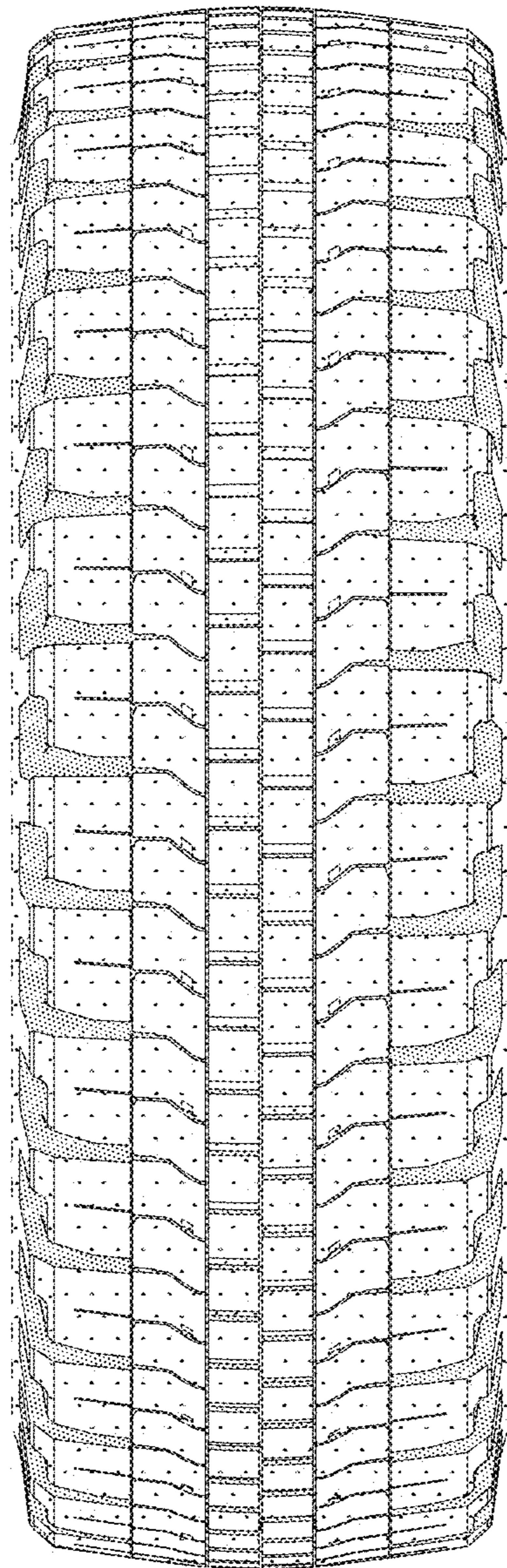
*FIG. 1*



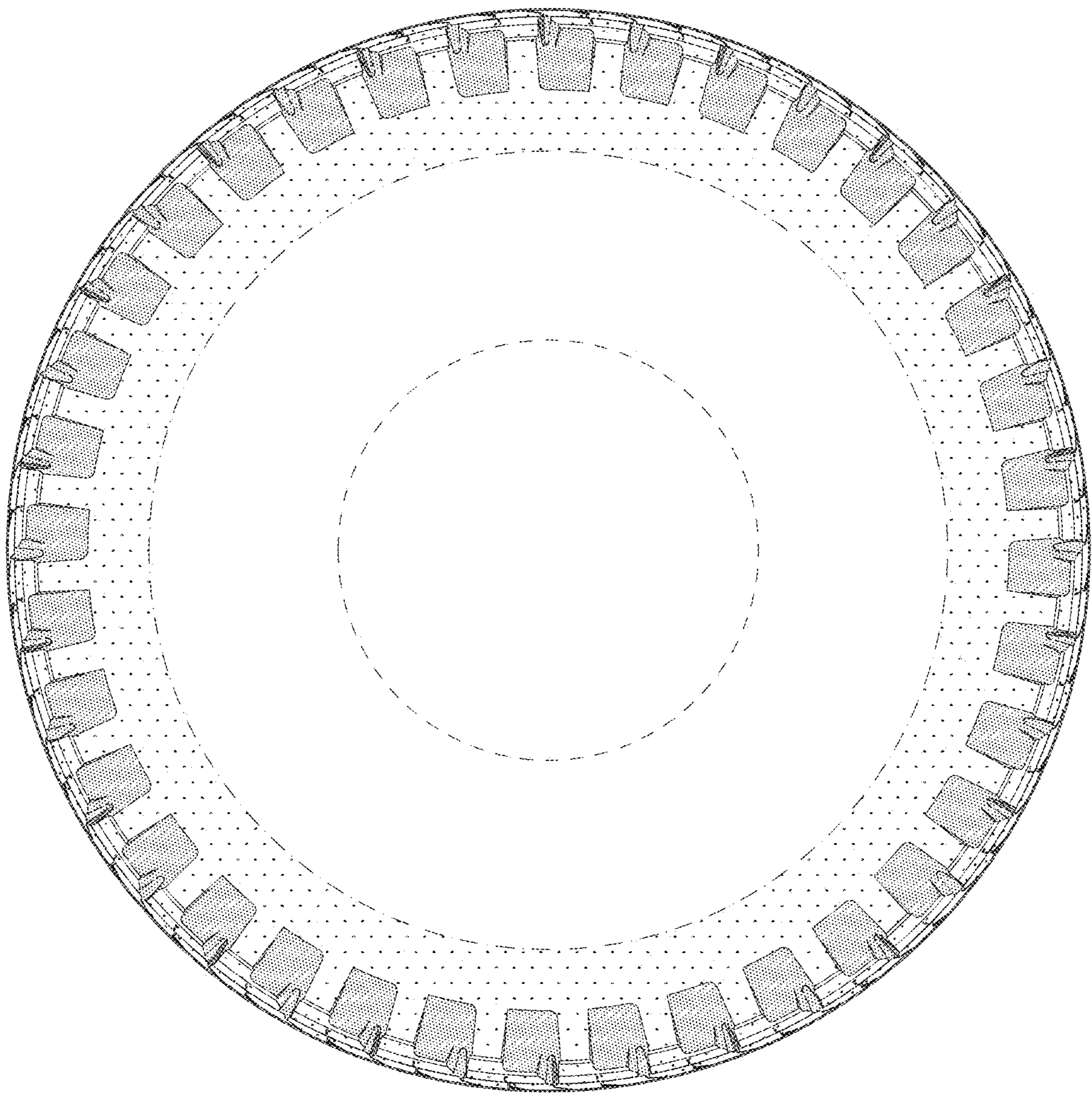
*FIG. 2*



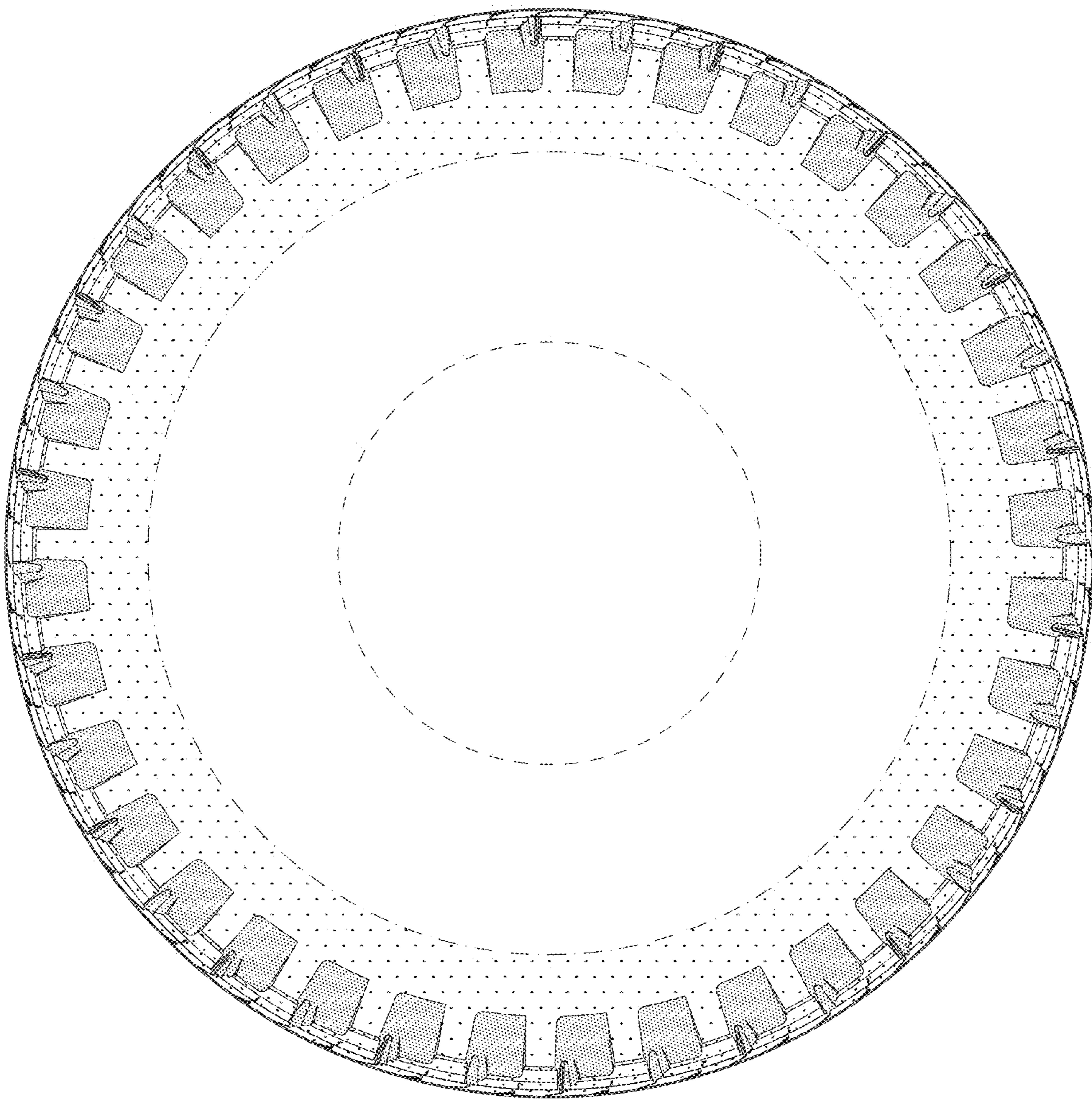
*FIG. 3*



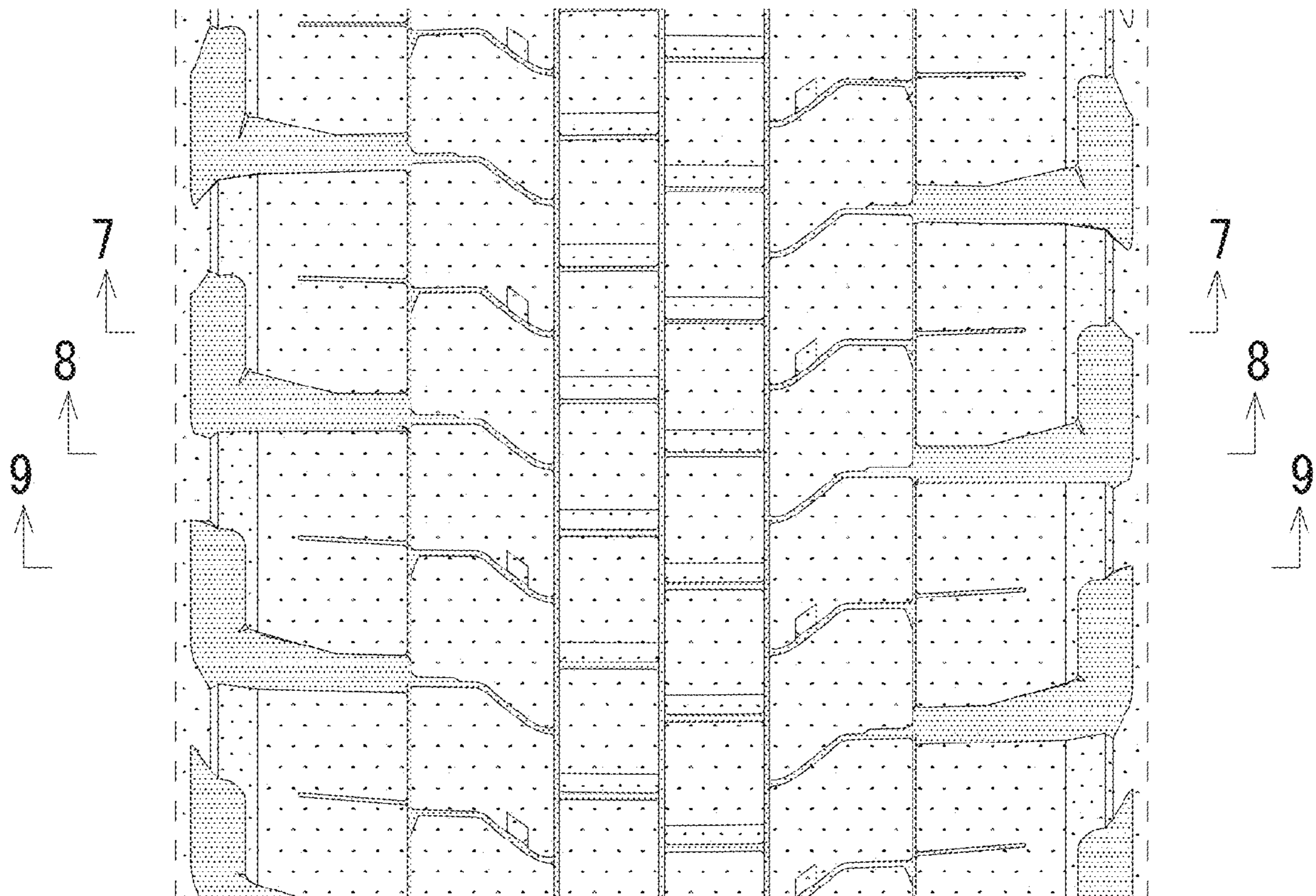
*FIG. 4*



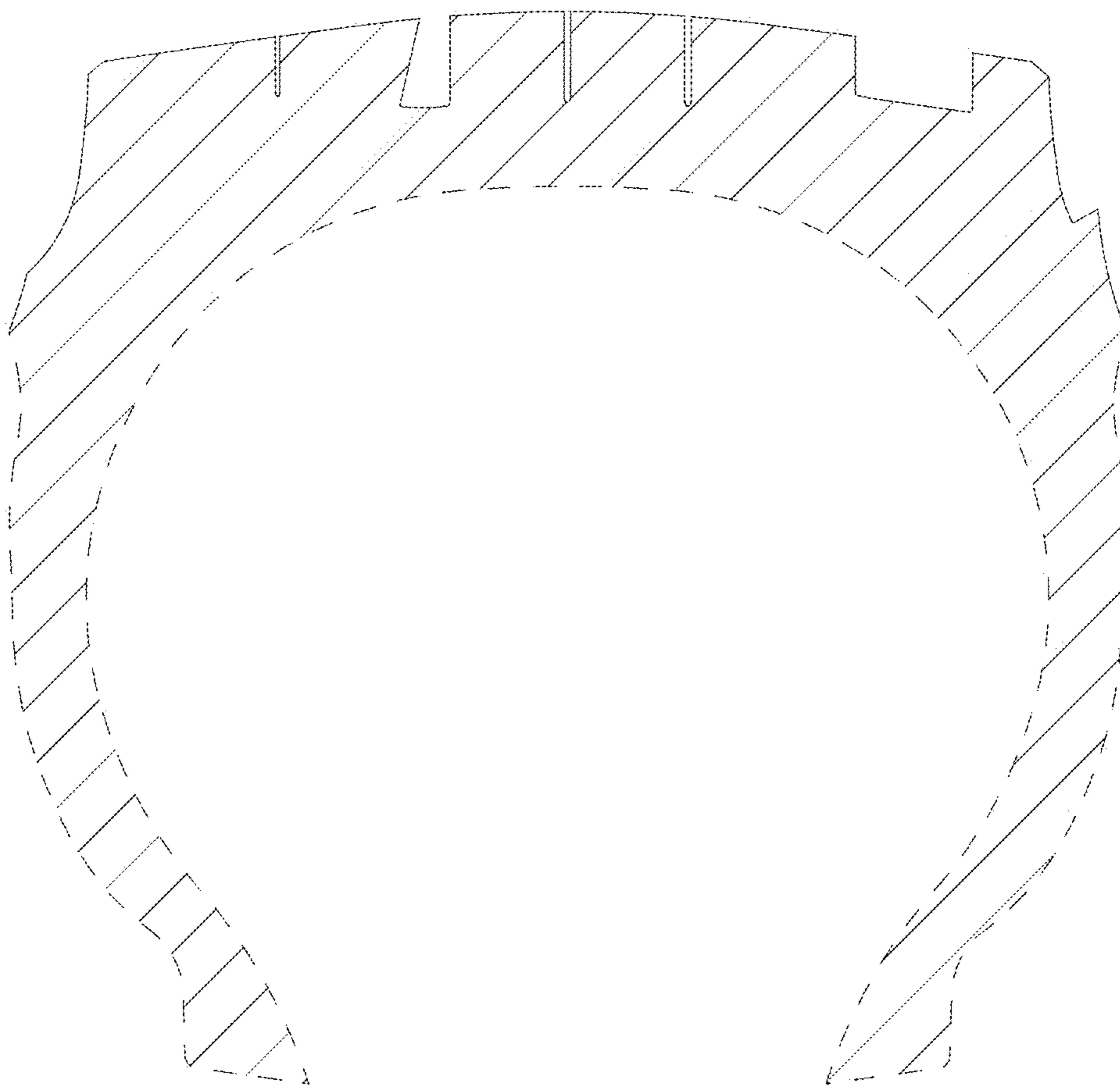
*FIG. 5*



*FIG. 6*

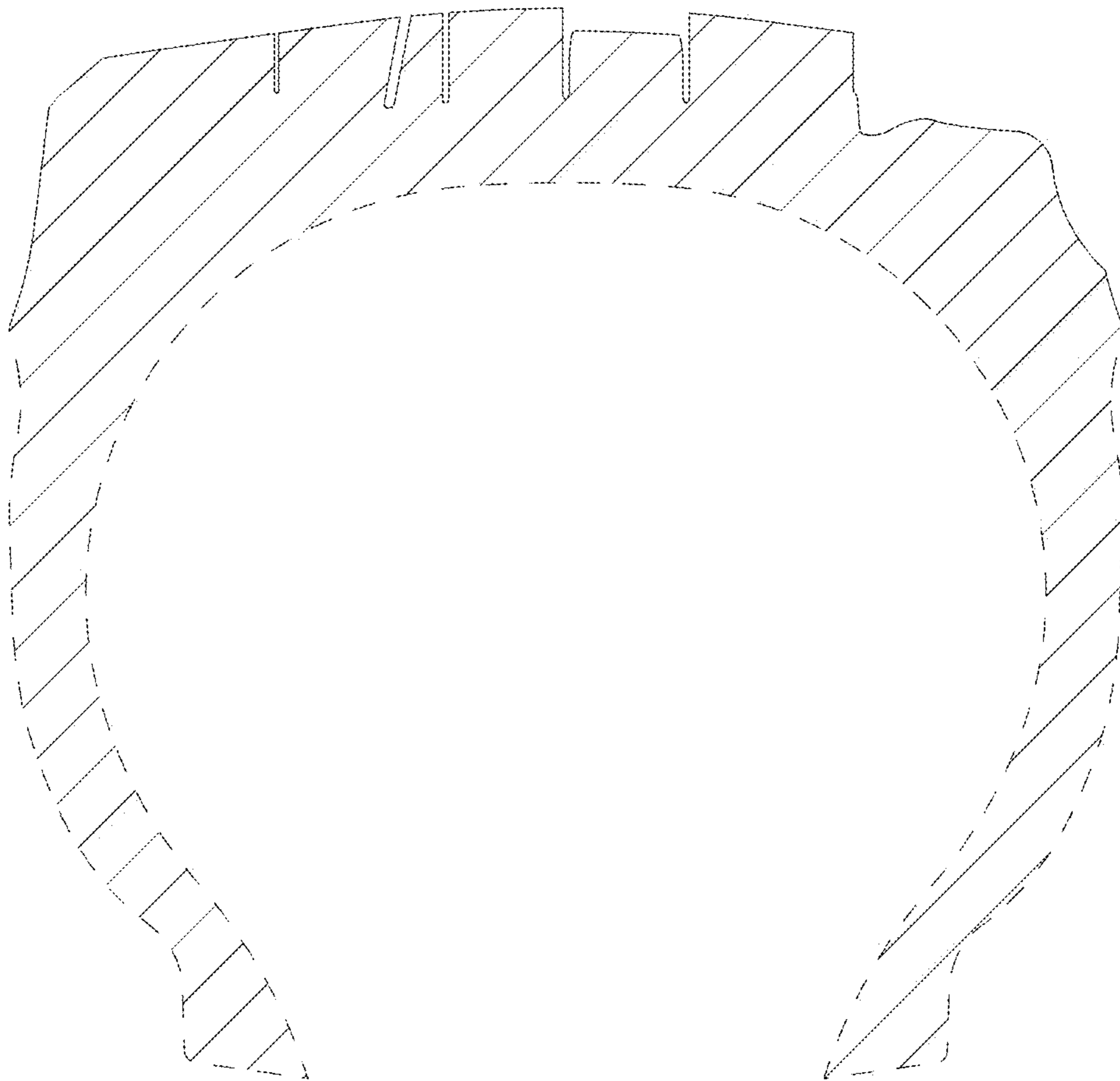


*FIG. 7*





*FIG. 8*



*FIG. 9*

