



US00D949776S

(12) **United States Design Patent**
Miyazaki

(10) **Patent No.:** **US D949,776 S**
(45) **Date of Patent:** **** Apr. 26, 2022**

- (54) **TIRE**
- (71) Applicant: **Toyo Tire Corporation**, Itami (JP)
- (72) Inventor: **Tetsuji Miyazaki**, Itami (JP)
- (73) Assignee: **Toyo Tire Corporation**, Itami (JP)
- (**) Term: **15 Years**
- (21) Appl. No.: **29/745,724**
- (22) Filed: **Aug. 7, 2020**
- (30) **Foreign Application Priority Data**

Feb. 14, 2020 (JP) 2020-002921 D

(51) **LOC (13) Cl.** **12-15**

(52) **U.S. Cl.**
USPC **D12/531**

(58) **Field of Classification Search**
USPC D12/500-532, 604
CPC Y10T 152/10027; B60C 1/0016; B60C
11/0306; B60C 11/0302; B60C 3/06;
B60C 9/17

See application file for complete search history.

(56) **References Cited**

U.S. PATENT DOCUMENTS

D524,720 S *	7/2006	Dumigan	D12/516
D524,721 S *	7/2006	Dumigan	D12/516
D660,222 S *	5/2012	Kim	D12/519
D666,139 S *	8/2012	Miyazaki	D12/531
D686,141 S *	7/2013	Miyazaki	D12/531
D716,216 S *	10/2014	Morito	D12/516

D725,584 S *	3/2015	Ropars	D12/519
D782,958 S *	4/2017	Sareen	D12/519
D846,483 S *	4/2019	Berger	D12/521
D862,369 S *	10/2019	Pribula	D12/521
D886,710 S *	6/2020	Shondel	D12/521

FOREIGN PATENT DOCUMENTS

JP	1417021 S	6/2011
JP	1514978 S	1/2015

* cited by examiner

Primary Examiner — John A Voytek

(74) *Attorney, Agent, or Firm* — Sterne, Kessler, Goldstein & Fox P.L.L.C.

(57) **CLAIM**

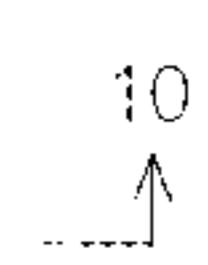
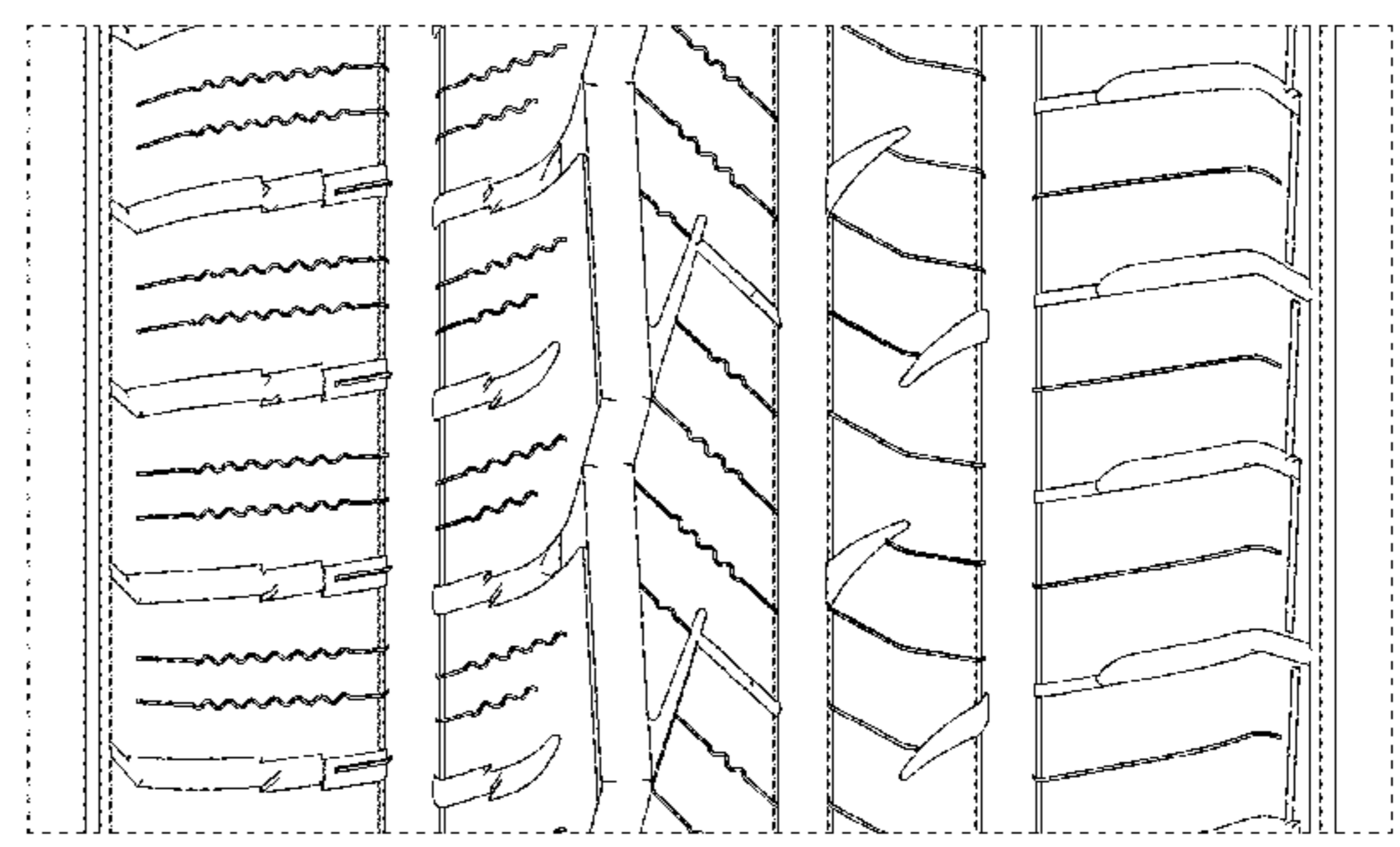
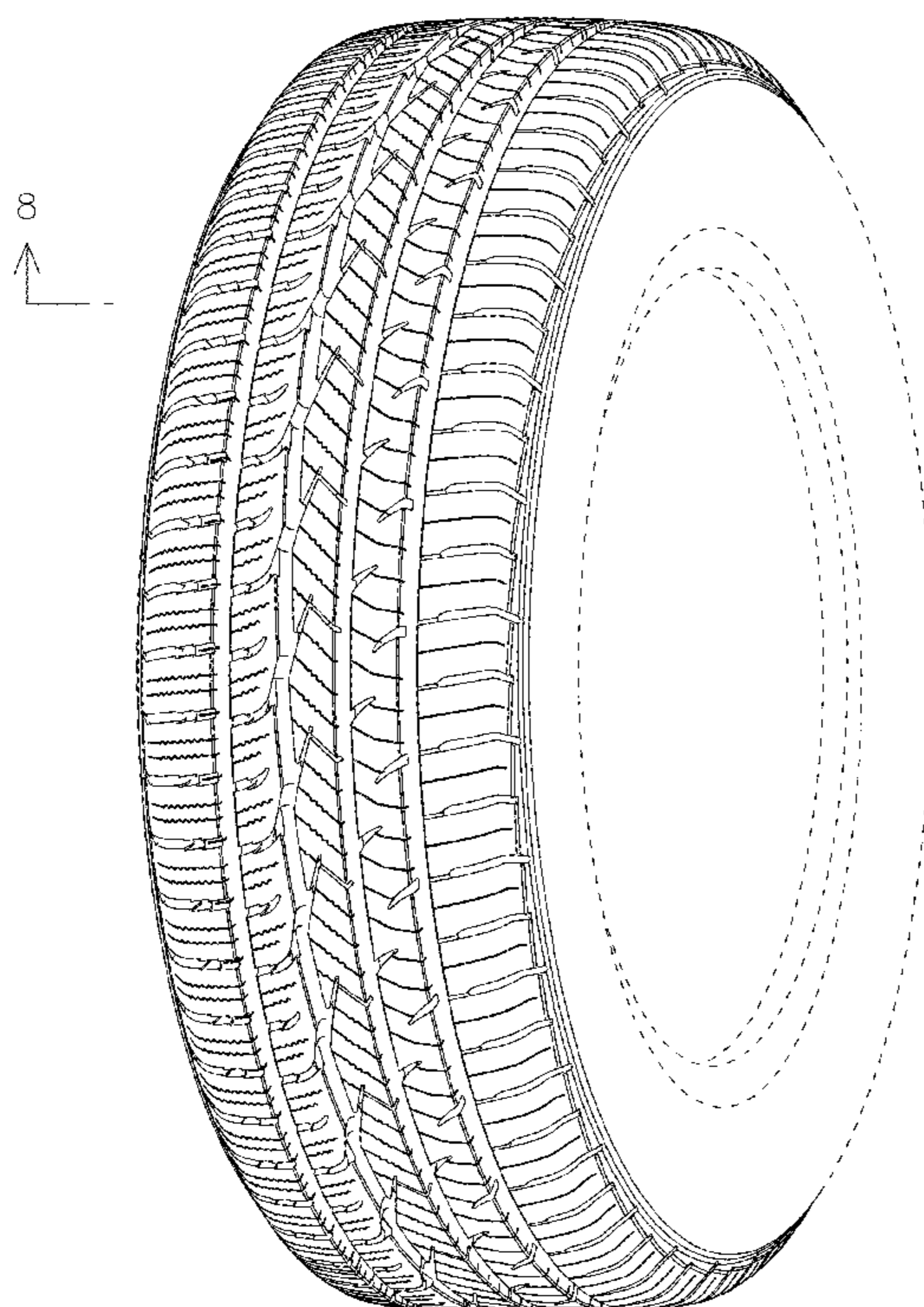
The ornamental design for a tire, as shown and described.

DESCRIPTION

FIG. 1 is a front perspective view of a tire showing the claimed design;
 FIG. 2 is a front view thereof;
 FIG. 3 is a rear view thereof;
 FIG. 4 is a top plan view thereof;
 FIG. 5 is a bottom plan view thereof;
 FIG. 6 is a right side view thereof;
 FIG. 7 is a left side view thereof;
 FIG. 8 is an enlarged view taken along line 8-8 in FIG. 1;
 FIG. 9 is an enlarged view of the portion 9-9 in FIG. 2; and,
 FIG. 10 is a cross-sectional view taken along line 10-10 in FIG. 9.

In the drawings, the broken lines show portions of the tire that form no part of the claimed design.

1 Claim, 10 Drawing Sheets



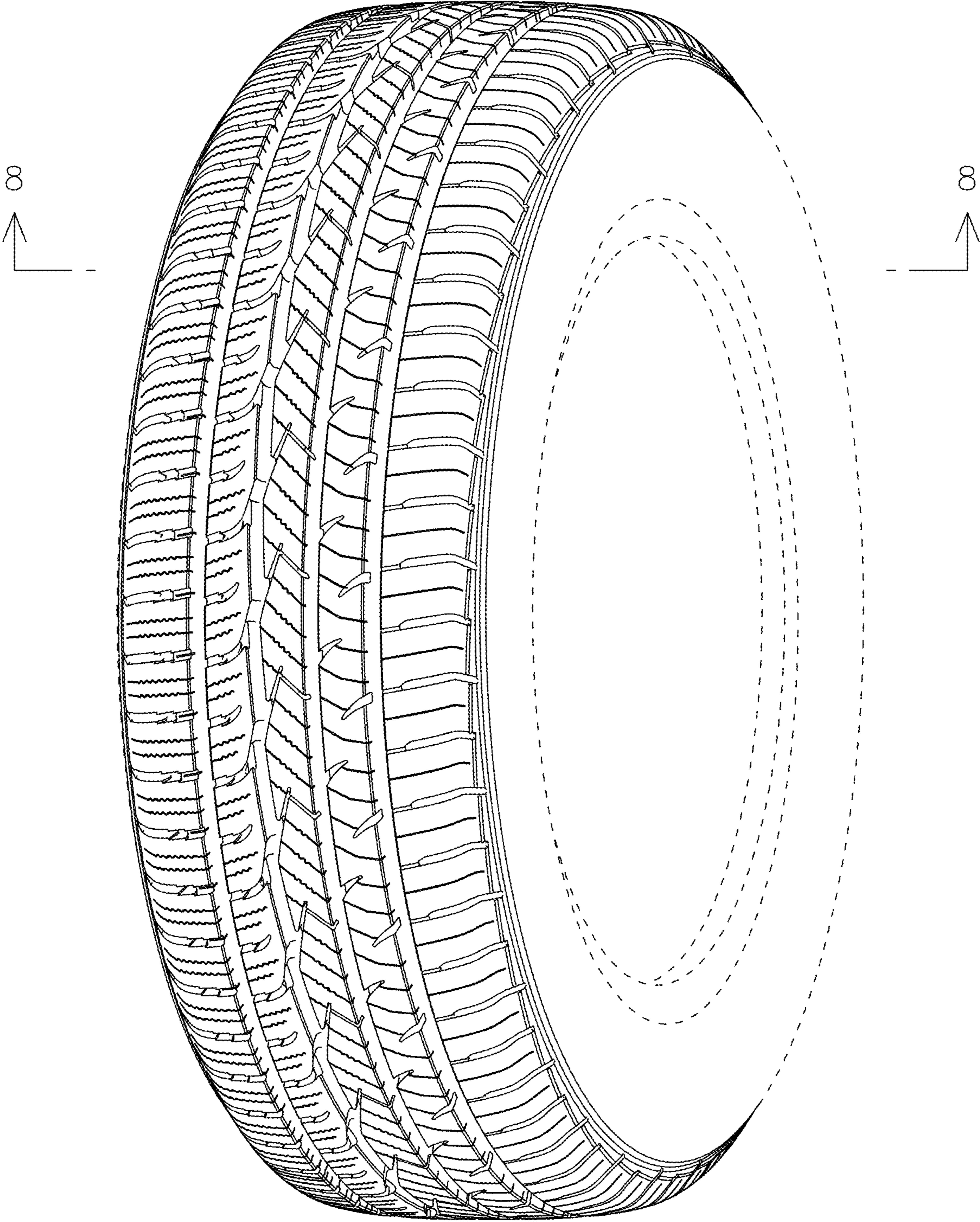


FIG. 1

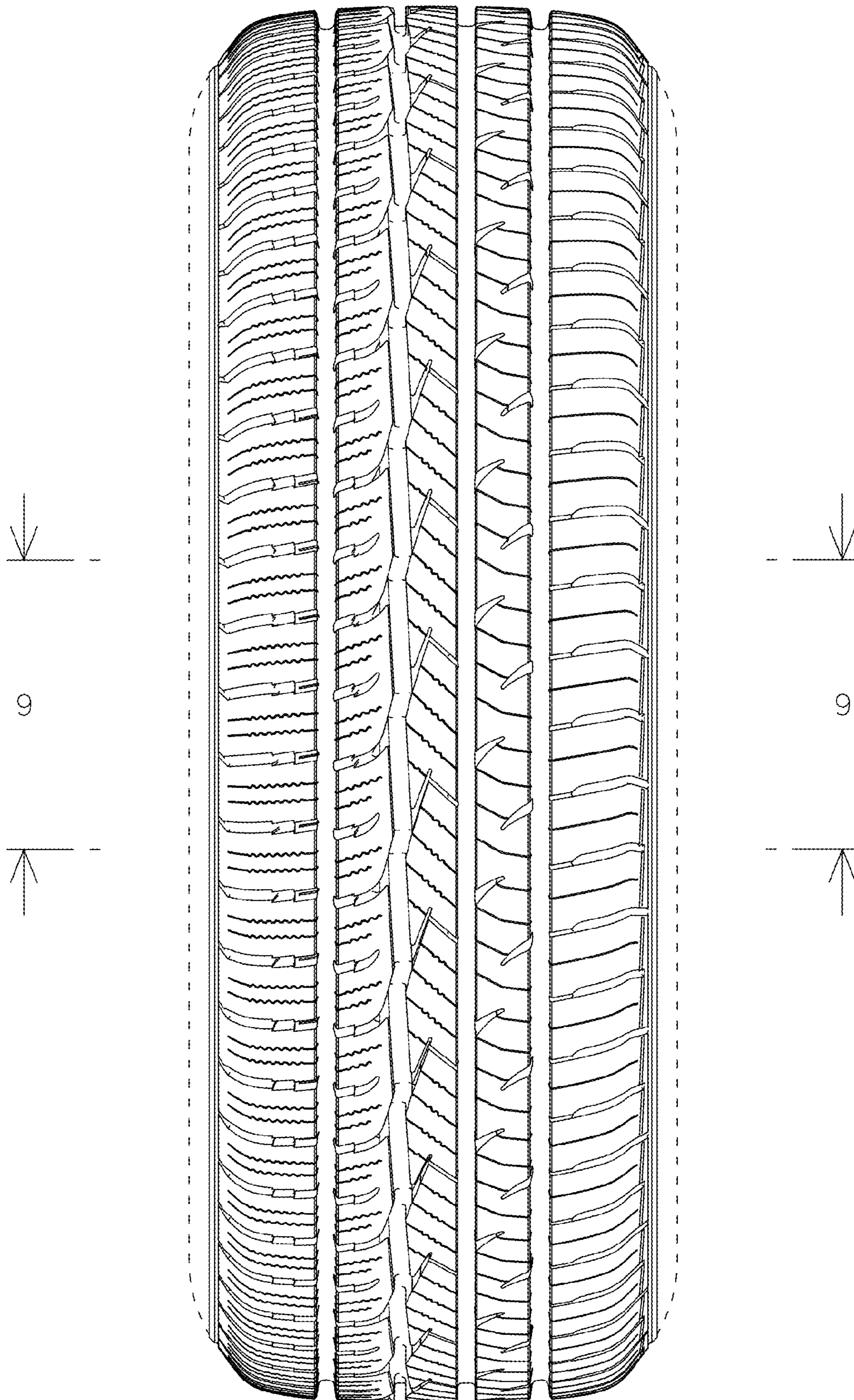


FIG. 2

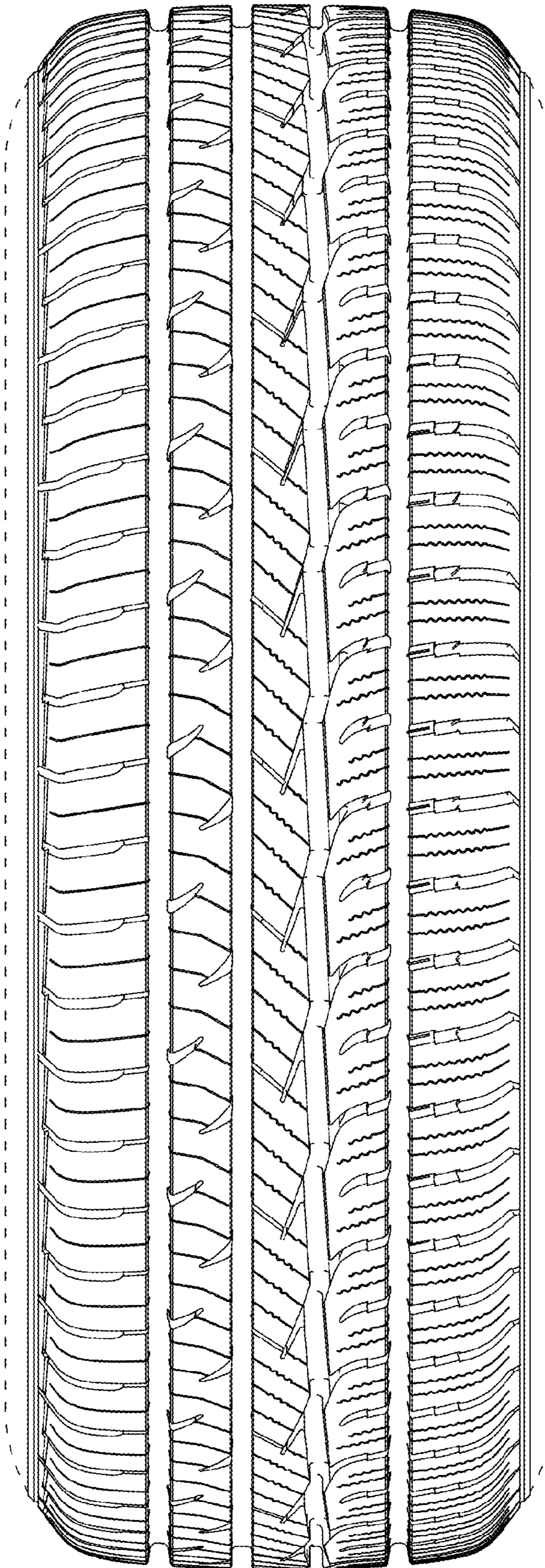


FIG. 3

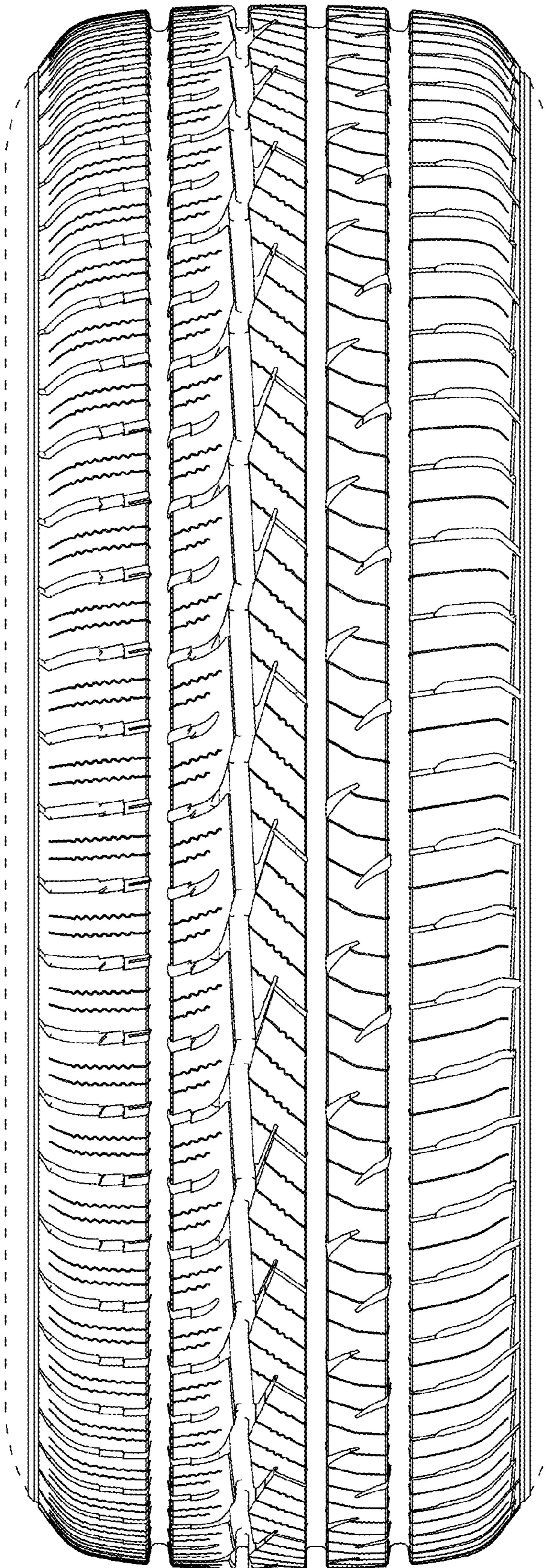


FIG. 4

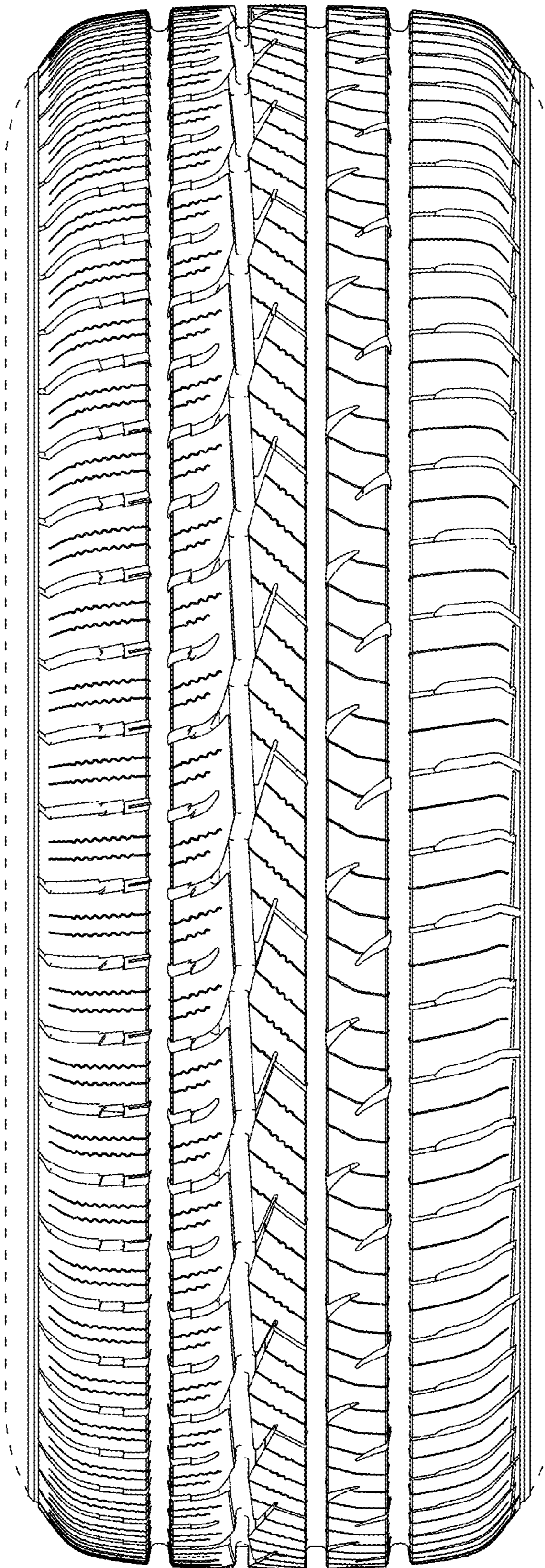


FIG. 5

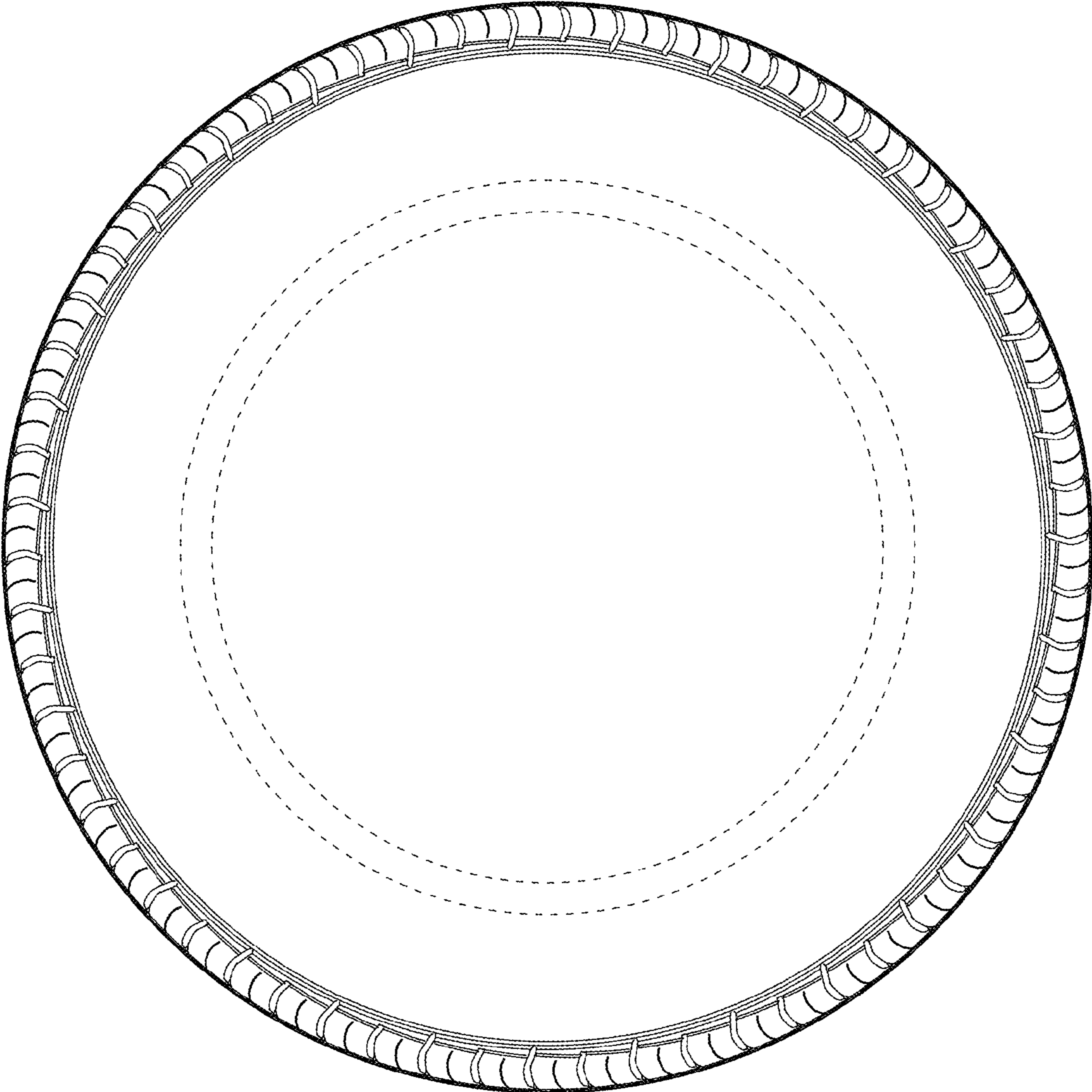


FIG. 6

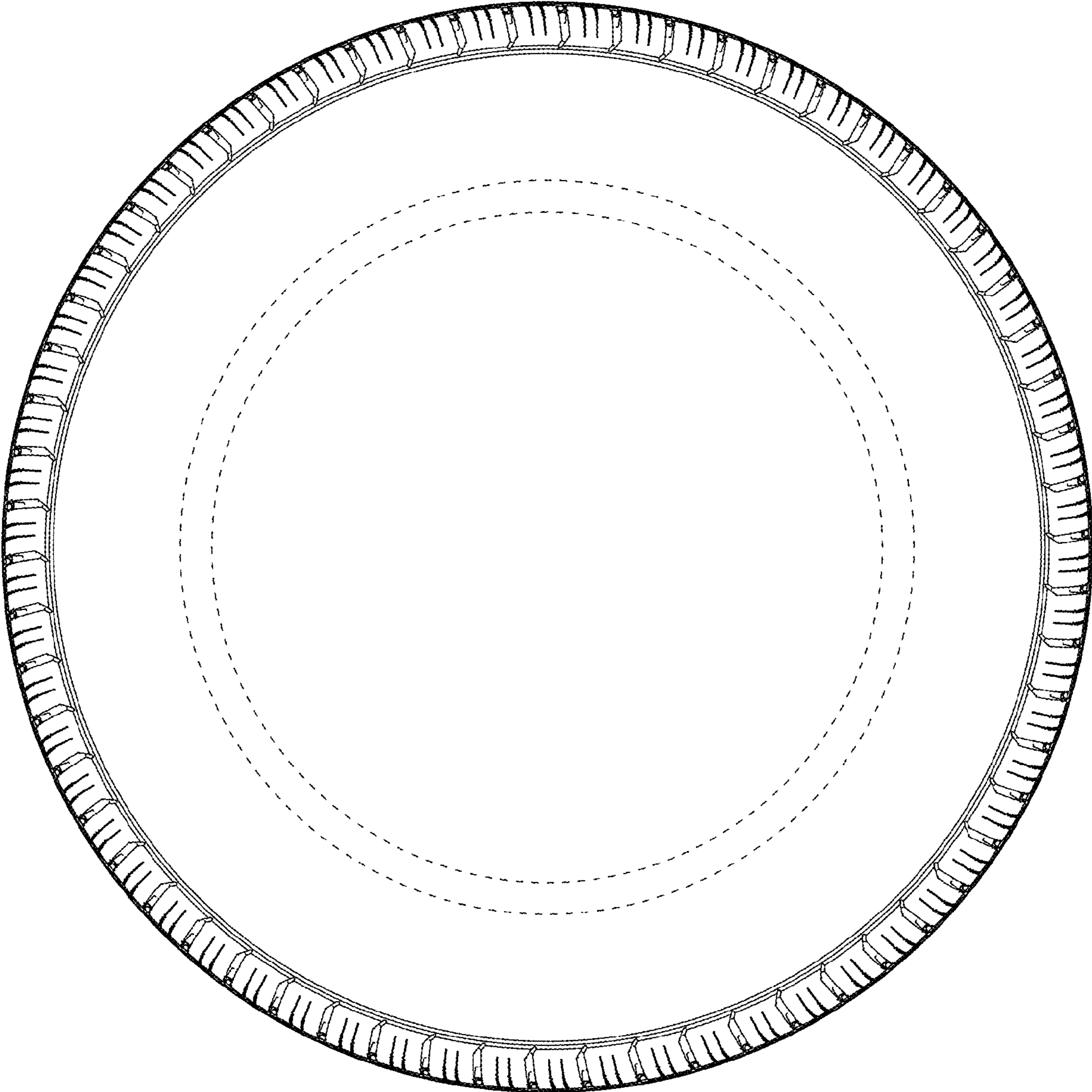


FIG. 7

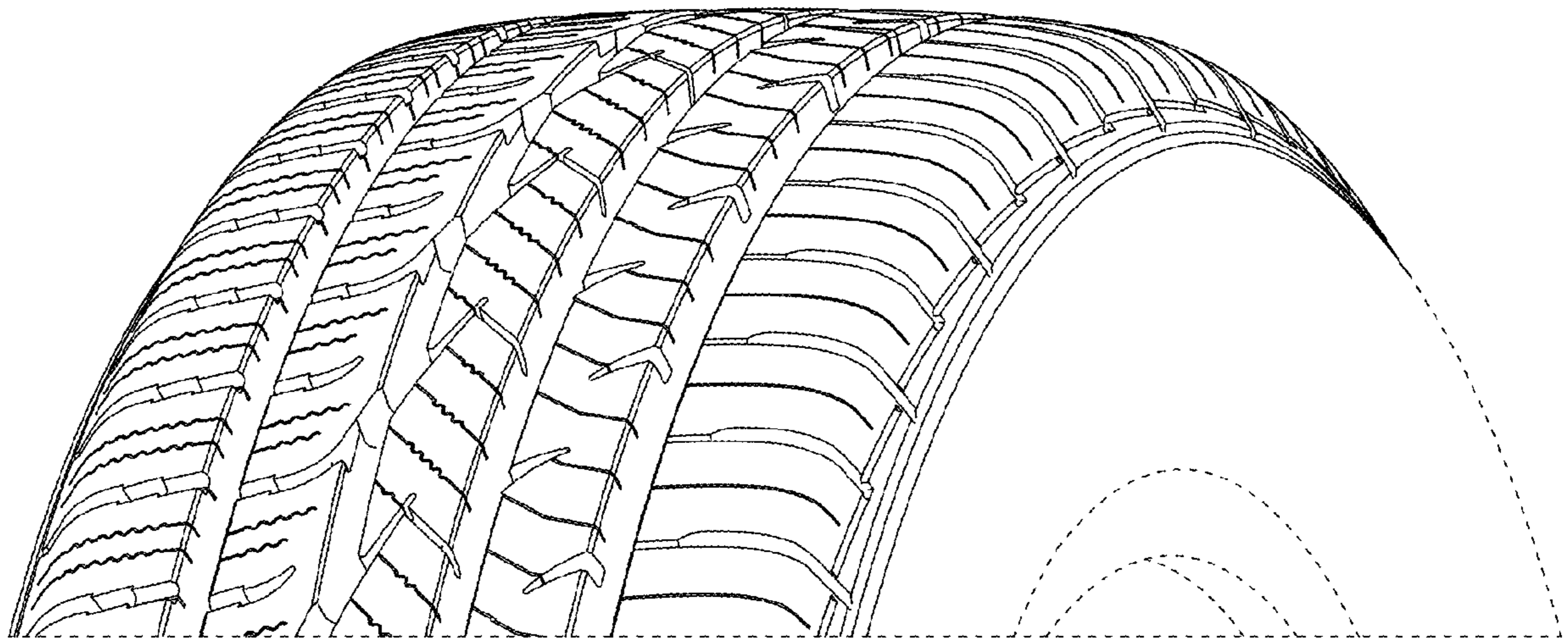


FIG. 8

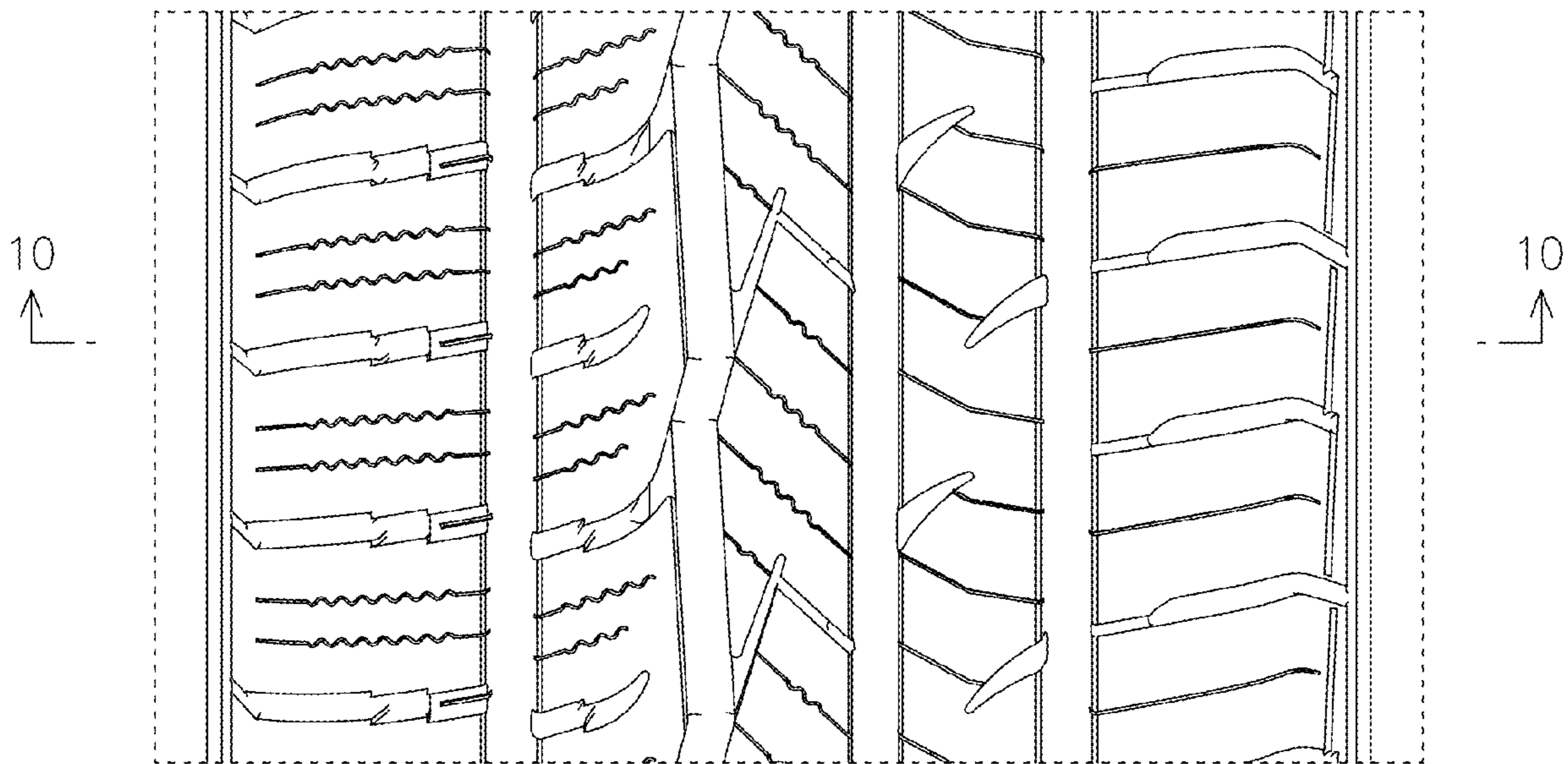


FIG. 9

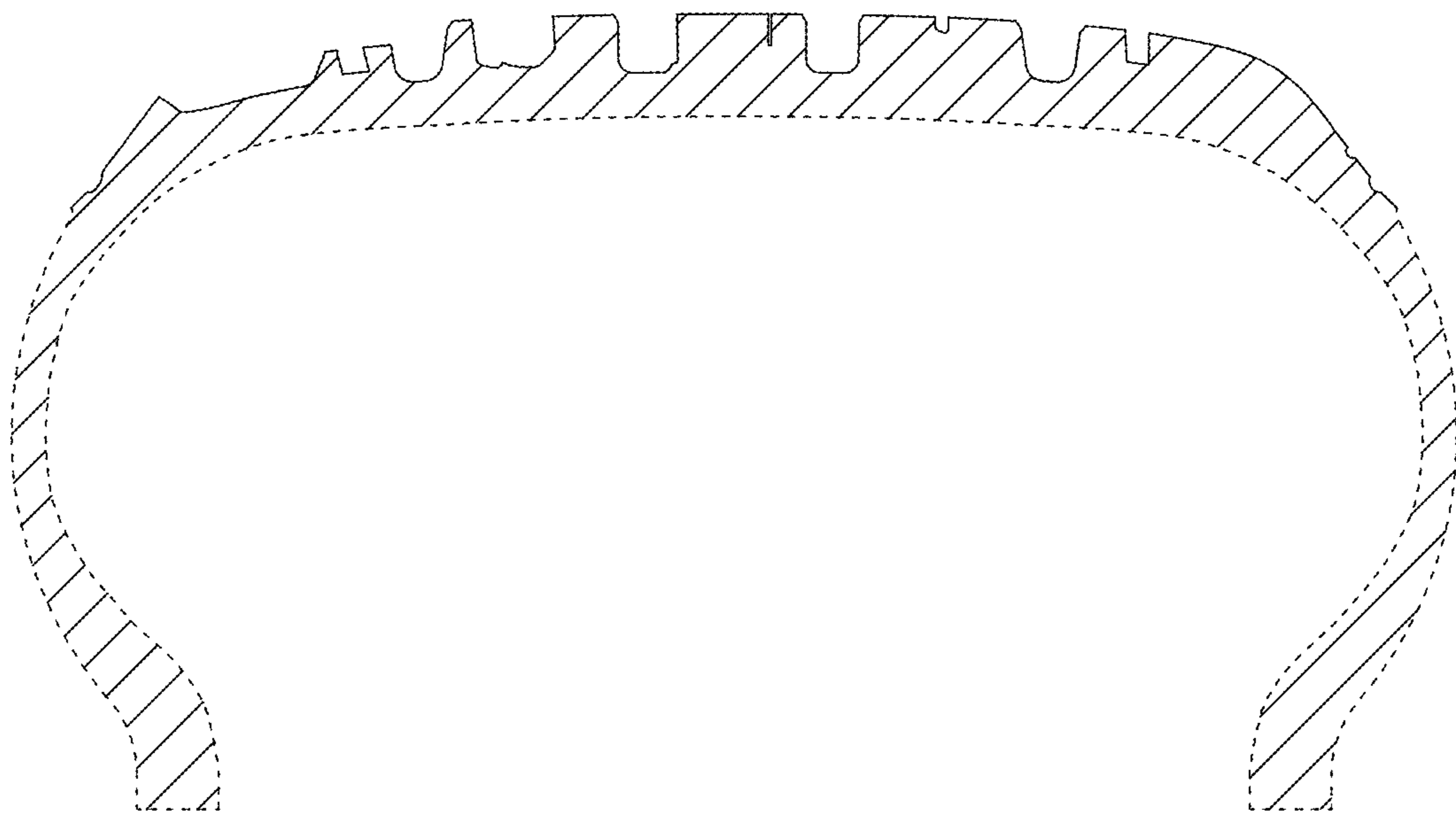


FIG. 10