



US00D949775S

(12) **United States Design Patent**  
**Bolzoni et al.**

(10) **Patent No.:** **US D949,775 S**  
(45) **Date of Patent:** **\*\* Apr. 26, 2022**

- (54) **CAR TIRE**
- (71) Applicant: **Pirelli Tyre S.p.A.**, Milan (IT)
- (72) Inventors: **Roberto Bolzoni**, Milan (IT); **Diego Ettore Speziari**, Milan (IT); **Andrea Scotti**, Milan (IT); **Stefano Bizzi**, Milan (IT)
- (73) Assignee: **PIRELLI TYRE S.p.A.**, Milan (IT)
- (\*\*) Term: **15 Years**
- (21) Appl. No.: **29/749,429**
- (22) Filed: **Sep. 4, 2020**
- (30) **Foreign Application Priority Data**

Mar. 5, 2020 (EM) ..... 007736137

- (51) **LOC (13) Cl.** ..... **12-15**
- (52) **U.S. Cl.**  
USPC ..... **D12/523**
- (58) **Field of Classification Search**  
USPC ..... D12/500-532, 604  
CPC ..... Y10T 152/10027; B60C 1/0016; B60C 11/0306; B60C 11/0302; B60C 3/06; B60C 9/17  
See application file for complete search history.

(56) **References Cited**

**U.S. PATENT DOCUMENTS**

D662,031 S *	6/2012	Yonehara	.....	D12/514
D795,163 S *	8/2017	Digman	.....	D12/519
D797,652 S *	9/2017	Bokken	.....	D12/520
D811,312 S *	2/2018	Yaegashi	.....	D12/523

D823,232 S *	7/2018	Bode	.....	D12/515
D852,118 S *	6/2019	Nakamura	.....	D12/518
D857,612 S *	8/2019	Fehl	.....	D12/515
D892,032 S *	8/2020	Nakamura	.....	D12/523
D894,095 S *	8/2020	Nakamura	.....	D12/518
D895,532 S *	9/2020	Nakamura	.....	D12/517
D902,128 S *	11/2020	Nakamura	.....	D12/517
2018/0250989 A1 *	9/2018	Bode	.....	B60C 11/042

\* cited by examiner

*Primary Examiner* — John A Voytek

(74) *Attorney, Agent, or Firm* — Finnegan, Henderson, Farabow, Garrett & Dunner, L.L.P.

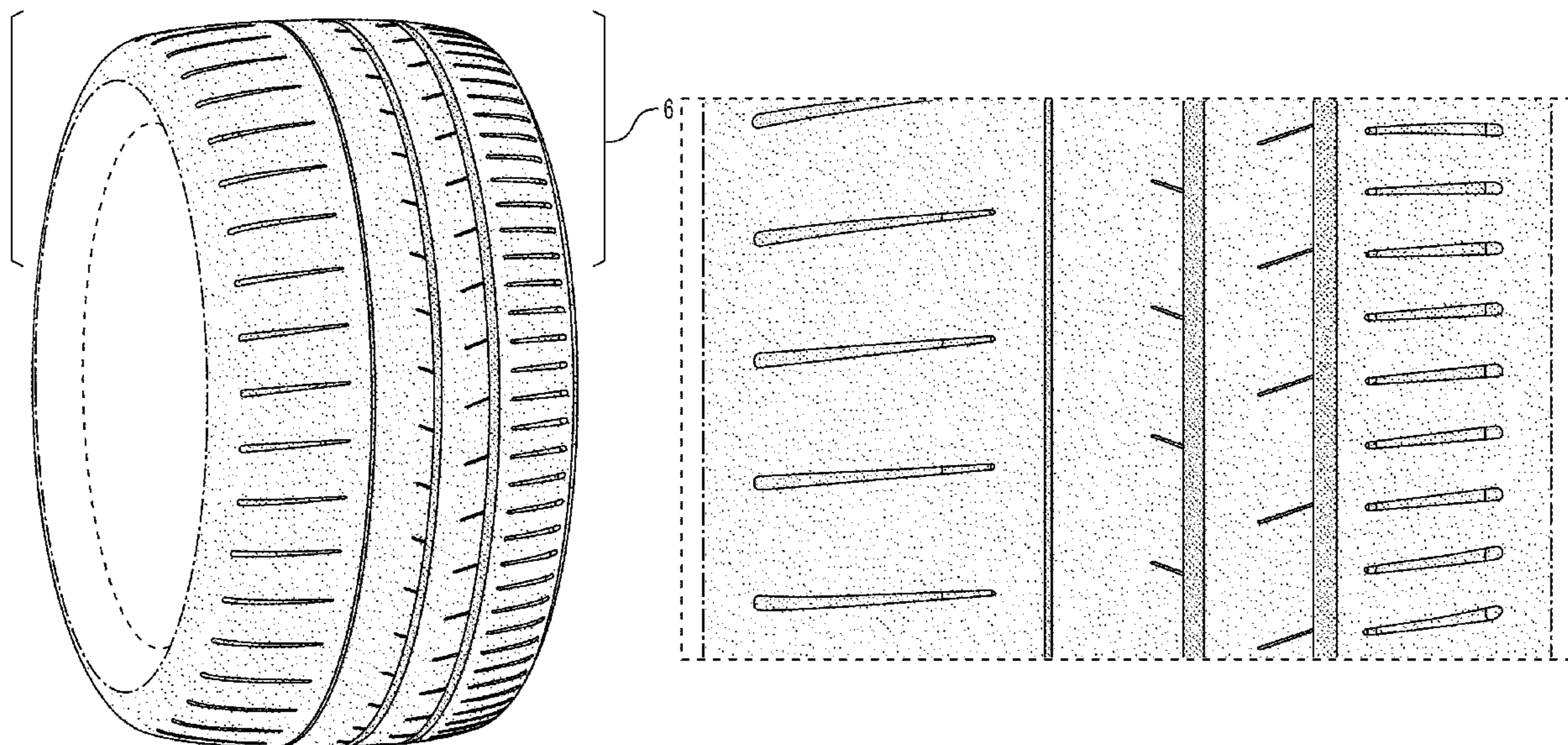
(57) **CLAIM**

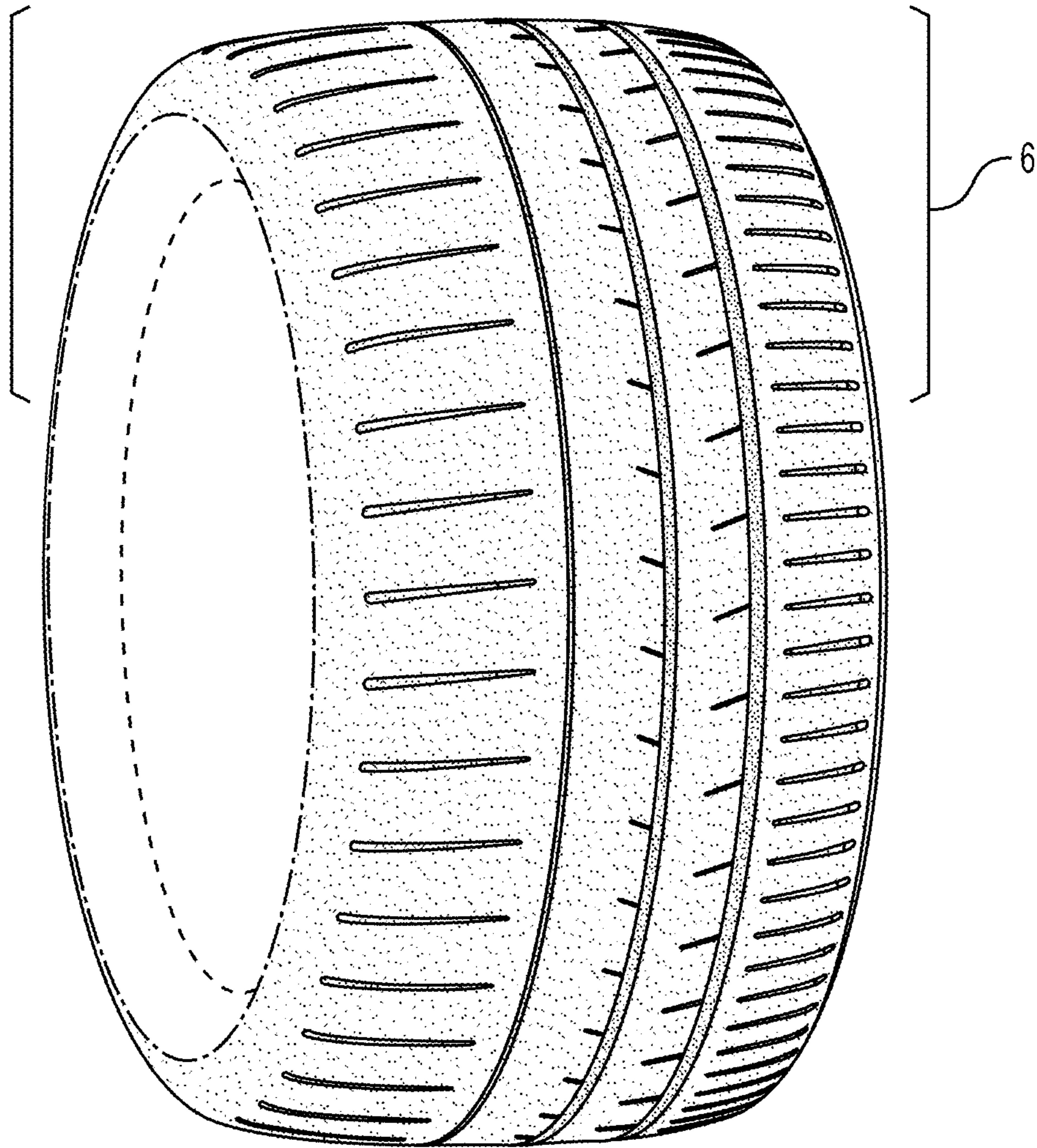
The ornamental design for a car tire, as shown and described.

**DESCRIPTION**

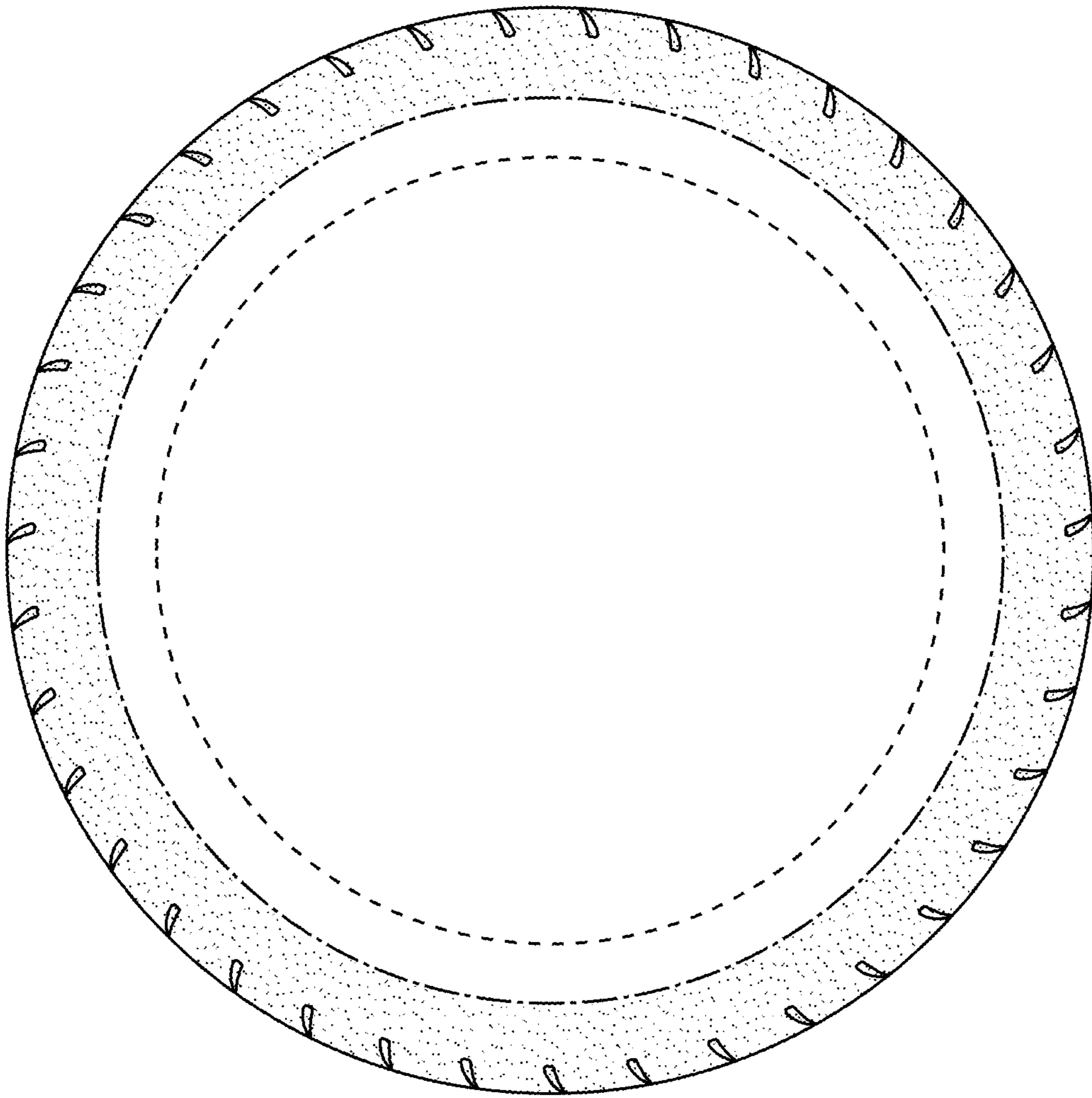
FIG. 1 is a left, perspective view of a first embodiment of a car tire, showing our new design;  
 FIG. 2 is a left side elevation view thereof;  
 FIG. 3 is a right side elevation view thereof;  
 FIG. 4 is a front elevation view thereof, it being understood that the tread pattern is repeated throughout the circumference of the tire;  
 FIG. 5 is an enlarged front elevation view of FIG. 4, showing a portion thereof; and,  
 FIG. 6 is an enlarged left, perspective view of the tire.  
 The portions of the tire depicted in broken dashed lines of uneven length mark the boundaries of the claimed design.  
 The portions of the tire depicted in broken dashed lines of even length form no part of the claimed design.

**1 Claim, 6 Drawing Sheets**



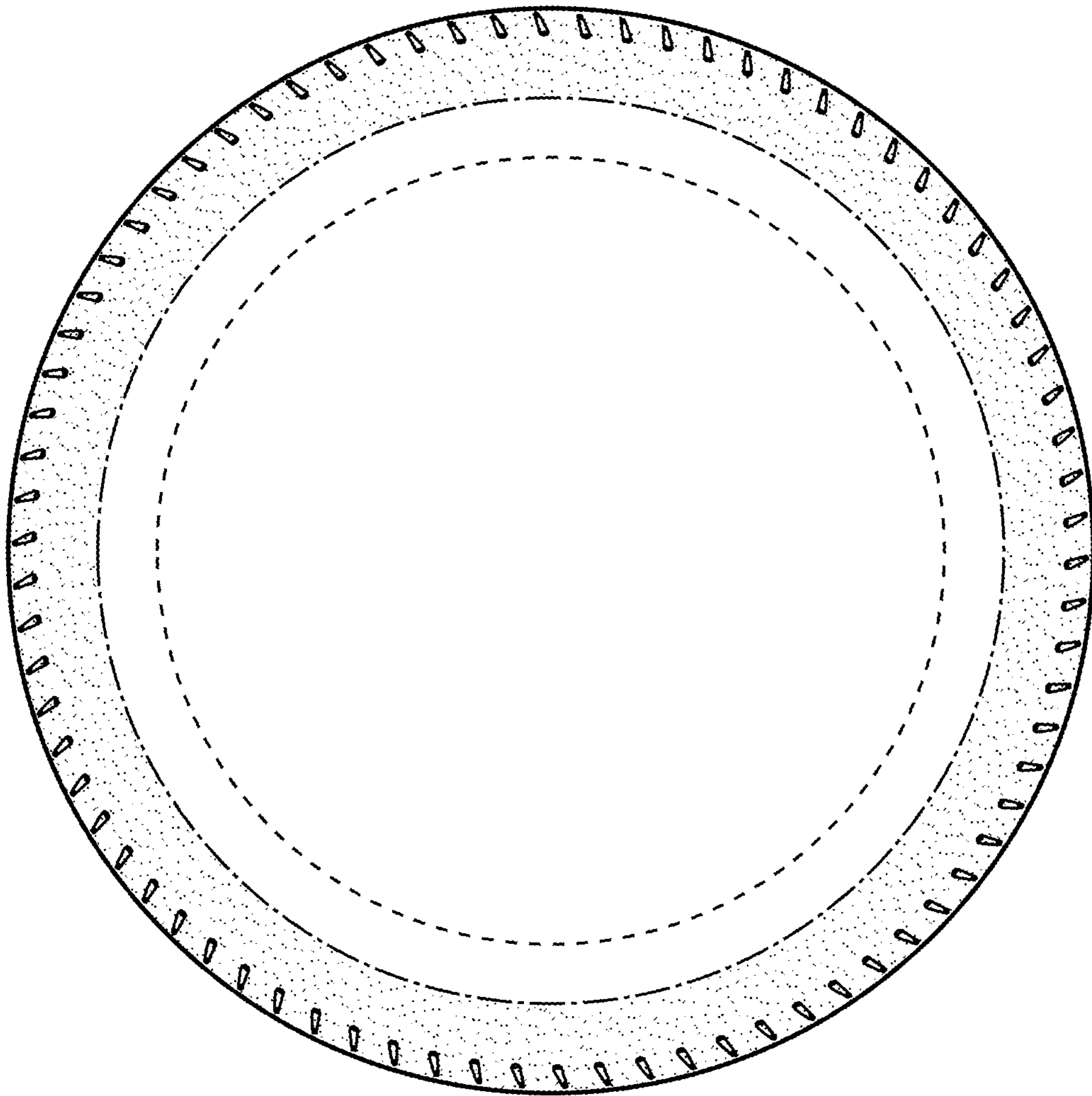


**FIG. 1**

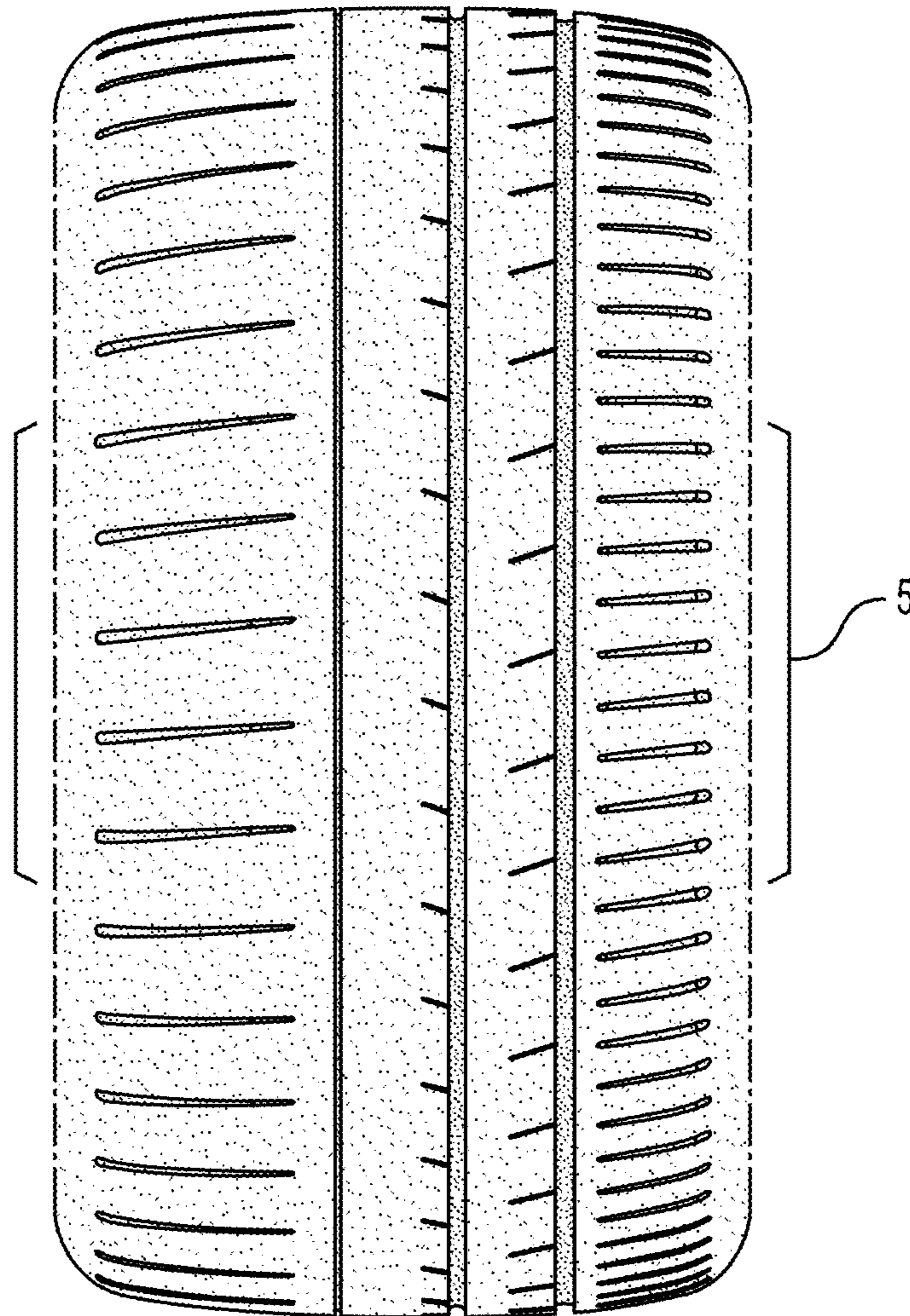


**FIG. 2**

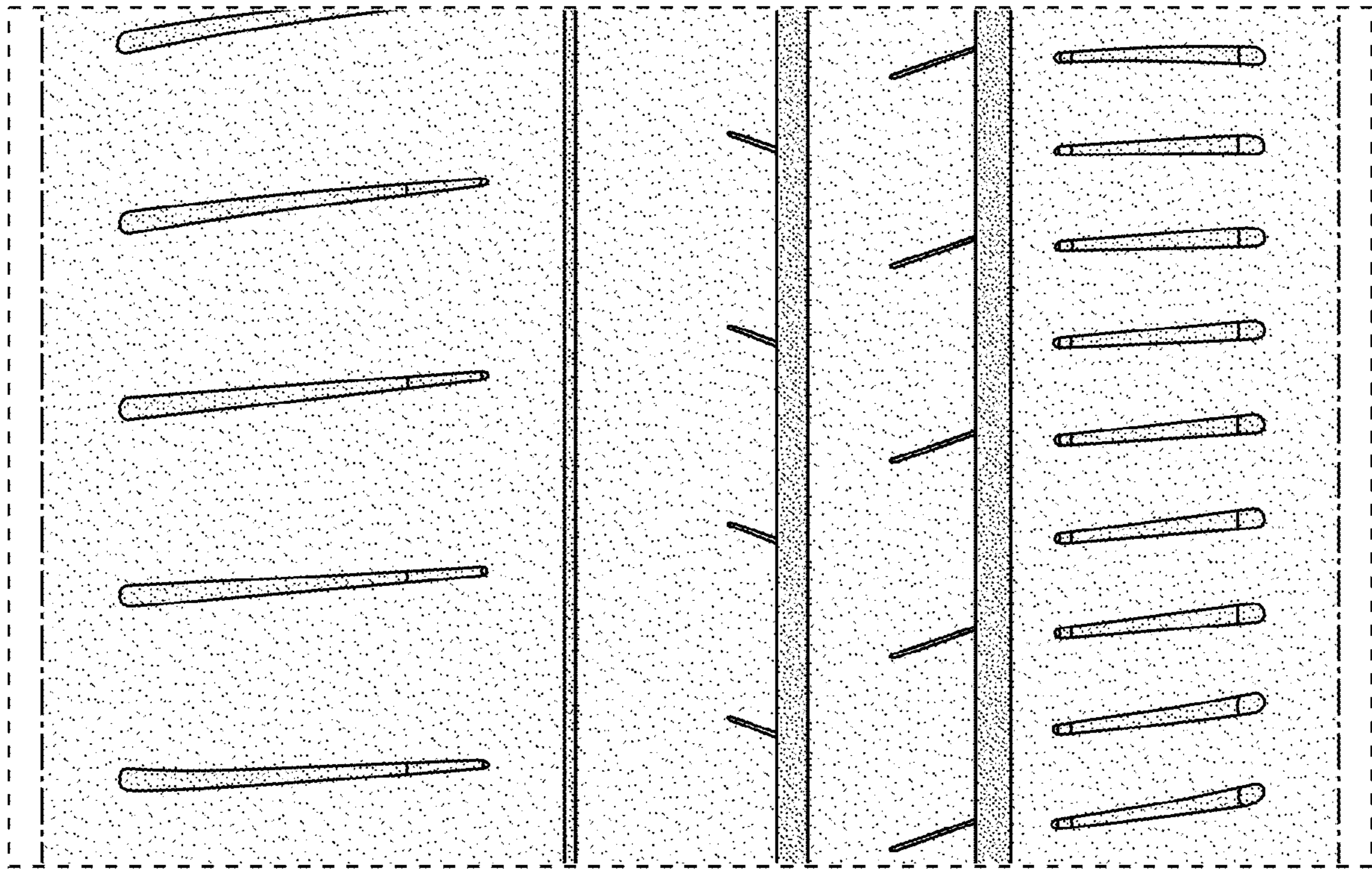




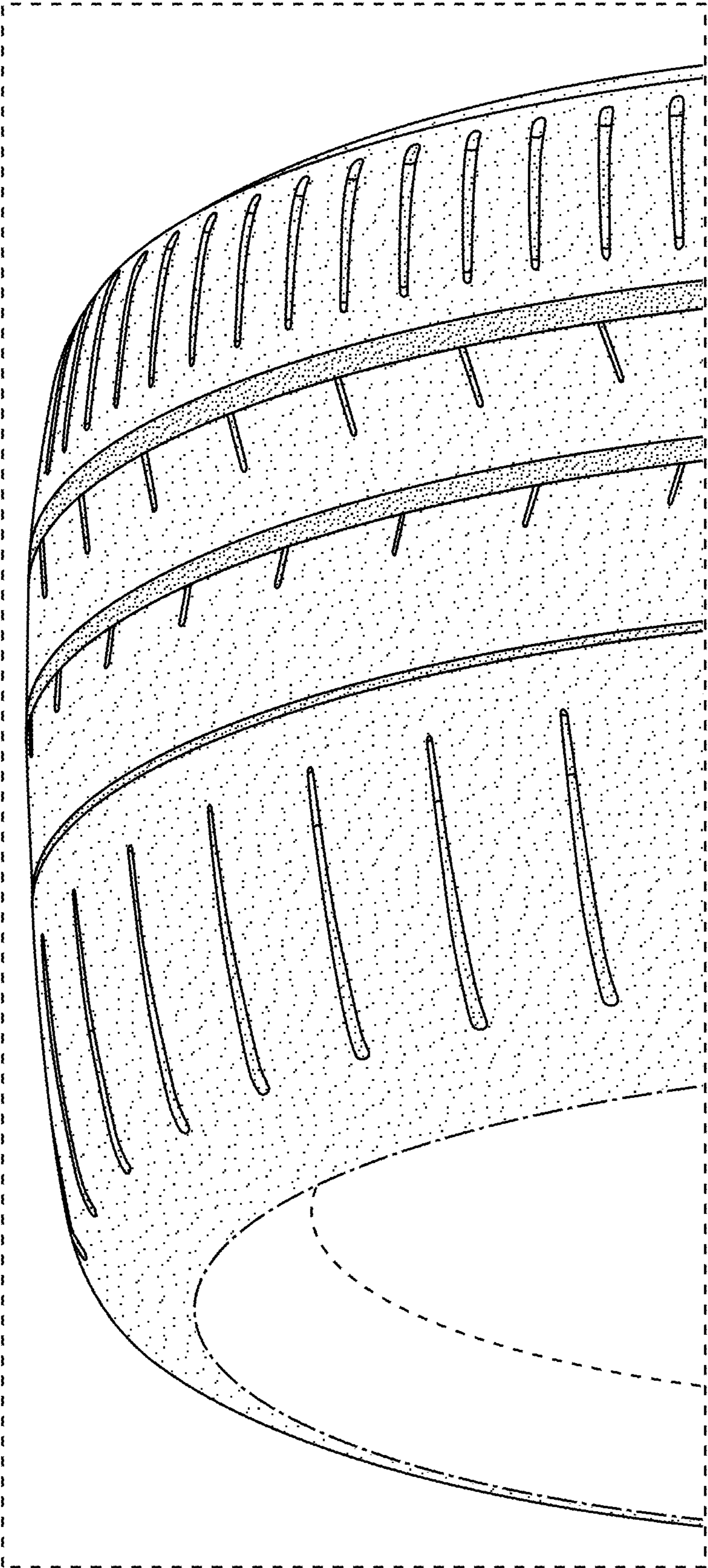
**FIG. 3**



**FIG. 4**



**FIG. 5**



**FIG. 6**