



US00D949774S

(12) **United States Design Patent**
Miyazaki

(10) **Patent No.:** **US D949,774 S**

(45) **Date of Patent:** **** Apr. 26, 2022**

- (54) **TIRE**
- (71) Applicant: **Toyo Tire Corporation**, Itami (JP)
- (72) Inventor: **Tetsuji Miyazaki**, Itami (JP)
- (73) Assignee: **Toyo Tire Corporation**, Itami (JP)
- (**) Term: **15 Years**
- (21) Appl. No.: **29/735,219**
- (22) Filed: **May 19, 2020**

D892,712 S *	8/2020	Kotlas	D12/517
D894,819 S *	9/2020	Fujita	D12/517
D921,571 S *	6/2021	Geelen	D12/517
D927,408 S *	8/2021	Hayashi	D12/517

(30) **Foreign Application Priority Data**

Dec. 9, 2019 (JP) 2019-027240

(51) **LOC (13) Cl.** **12-15**

(52) **U.S. Cl.**
USPC **D12/517**

(58) **Field of Classification Search**
USPC D12/500-532, 604
CPC Y10T 152/10027; B60C 1/0016; B60C
11/0306; B60C 11/0302; B60C 3/06;
B60C 9/17
See application file for complete search history.

(56) **References Cited**

U.S. PATENT DOCUMENTS

D466,472 S *	12/2002	Abe	D12/518
D624,006 S *	9/2010	Lee	D12/518
D667,775 S *	9/2012	Rittweger	D12/517
D675,558 S *	2/2013	Harris	D12/517
D686,141 S *	7/2013	Miyazaki	D12/531
D833,960 S *	11/2018	Wang	D12/517
D840,328 S	2/2019	Brandau et al.		
D848,351 S *	5/2019	Rittweger	D12/517
D852,117 S *	6/2019	Meetarbhan	D12/517
D860,918 S *	9/2019	Nagamoto	D12/518

FOREIGN PATENT DOCUMENTS

JP	1514978 S	1/2015
JP	1594667 S	1/2018

* cited by examiner

Primary Examiner — John A Voytek

(74) *Attorney, Agent, or Firm* — Sterne, Kessler,
Goldstein & Fox P.L.L.C.

(57) **CLAIM**

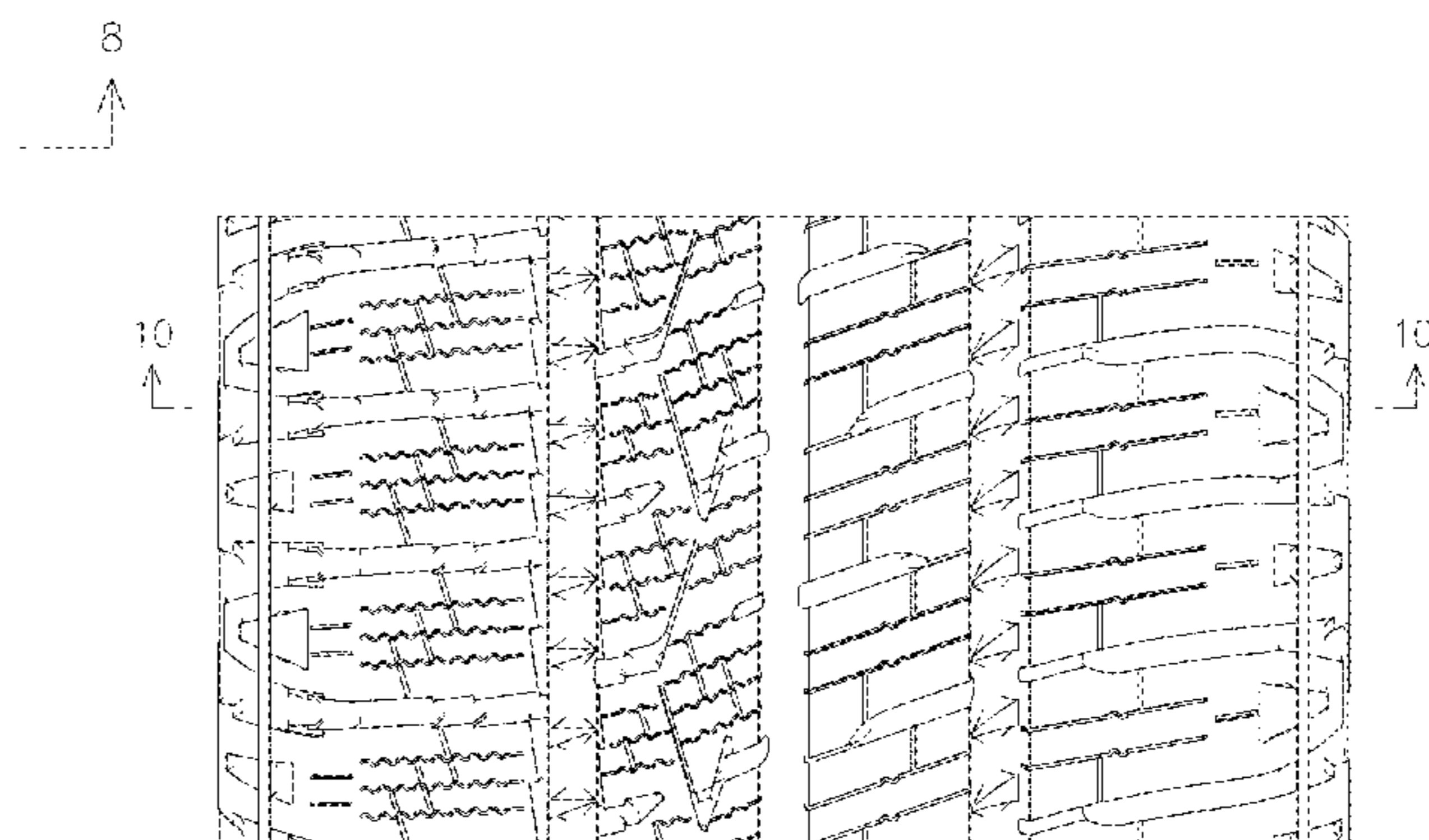
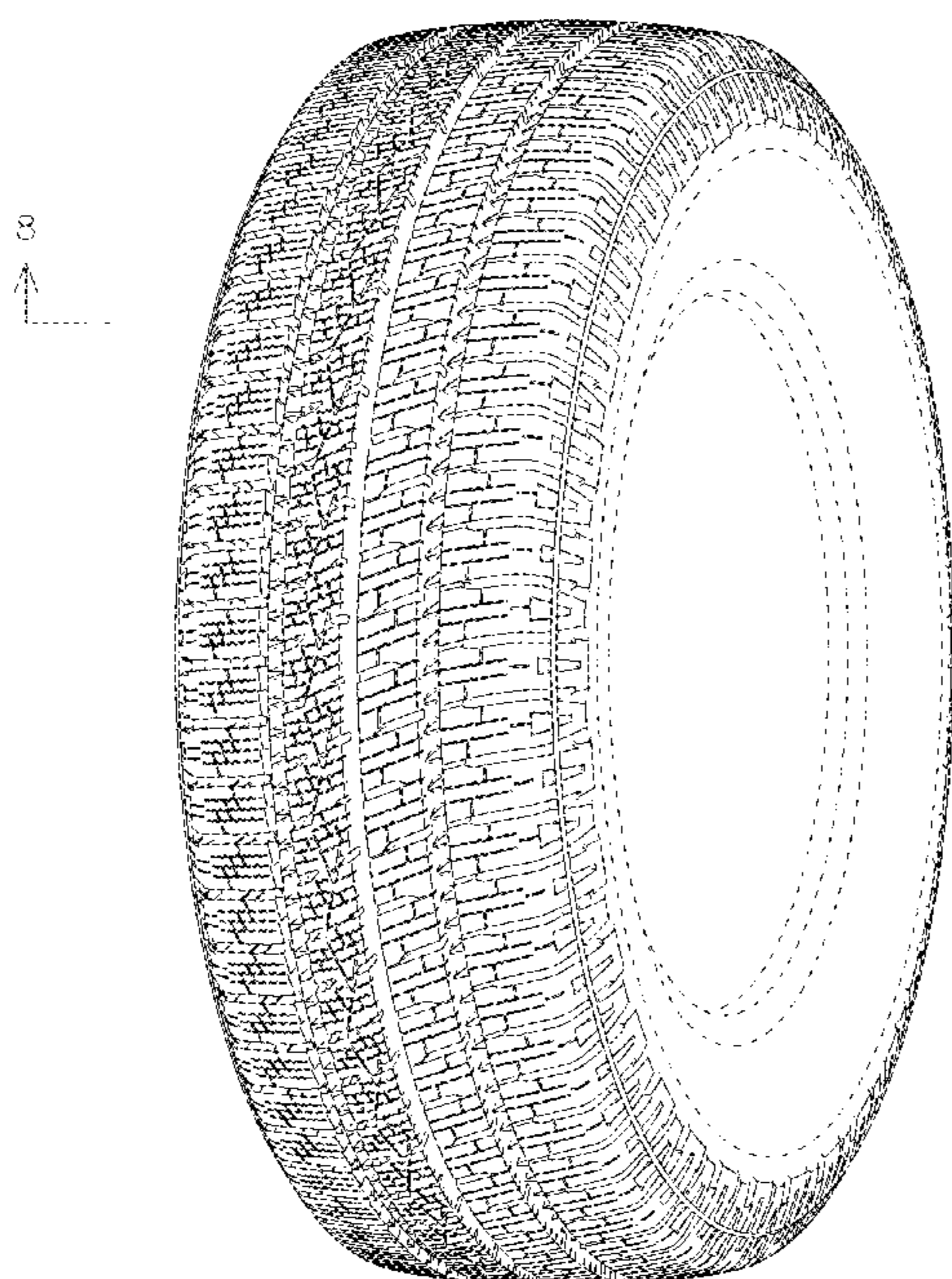
The ornamental design for a tire, as shown and described.

DESCRIPTION

FIG. 1 is a front perspective view of a tire showing the claimed design;
 FIG. 2 is a front view thereof;
 FIG. 3 is a rear view thereof;
 FIG. 4 is a top plan view thereof;
 FIG. 5 is a bottom plan view thereof;
 FIG. 6 is a right side view thereof;
 FIG. 7 is a left side view thereof;
 FIG. 8 is an enlarged view taken along line 8-8 in FIG. 1;
 FIG. 9 is an enlarged view of the portion 9-9 in FIG. 2; and,
 FIG. 10 is a cross-sectional view taken along line 10-10 in FIG. 9.

In the drawings, the broken lines show portions of the tire that form no part of the claimed design. The outermost broken lines of the sidewall form the boundary of the claim and form no part thereof.

1 Claim, 10 Drawing Sheets



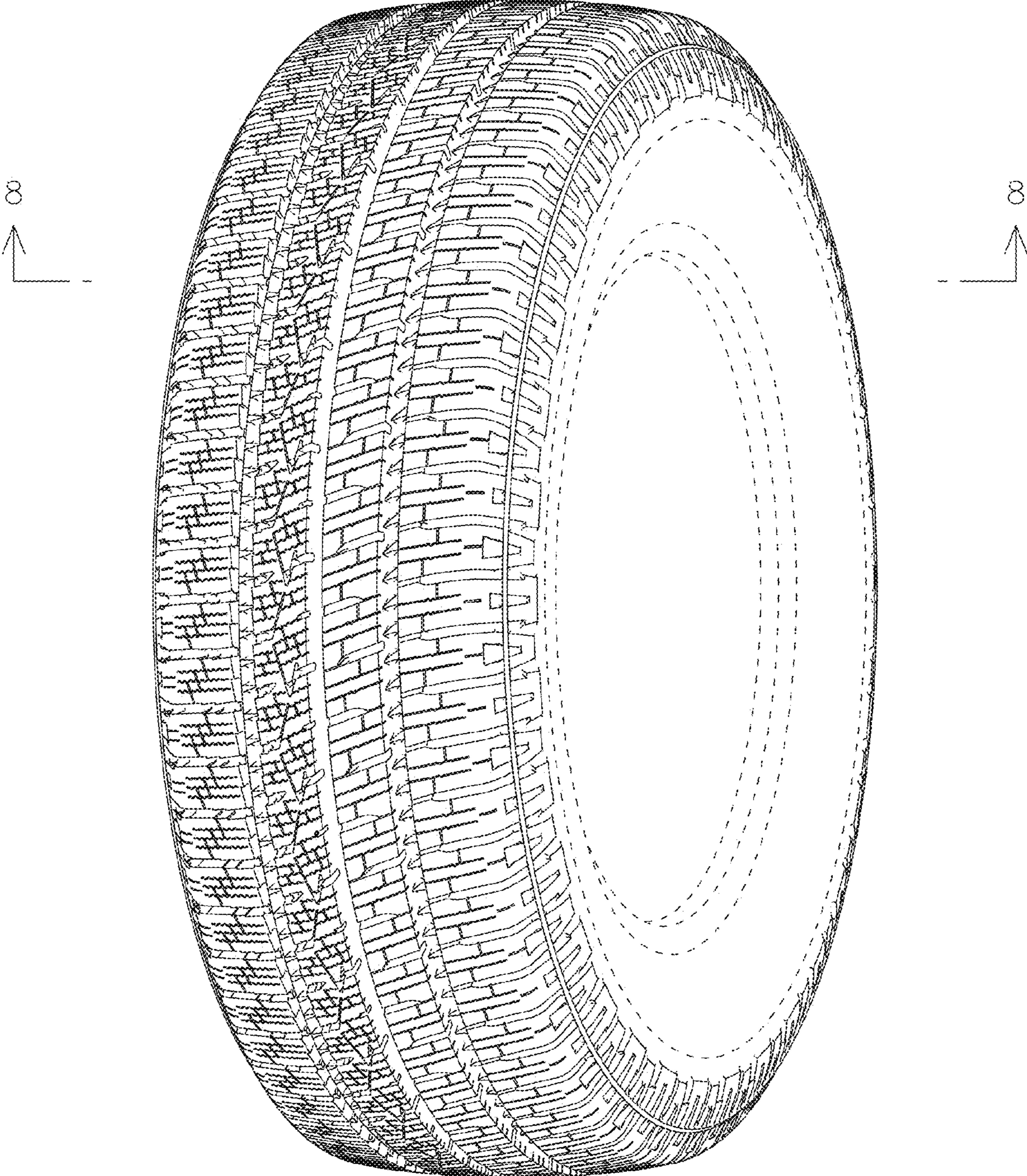


FIG. 1

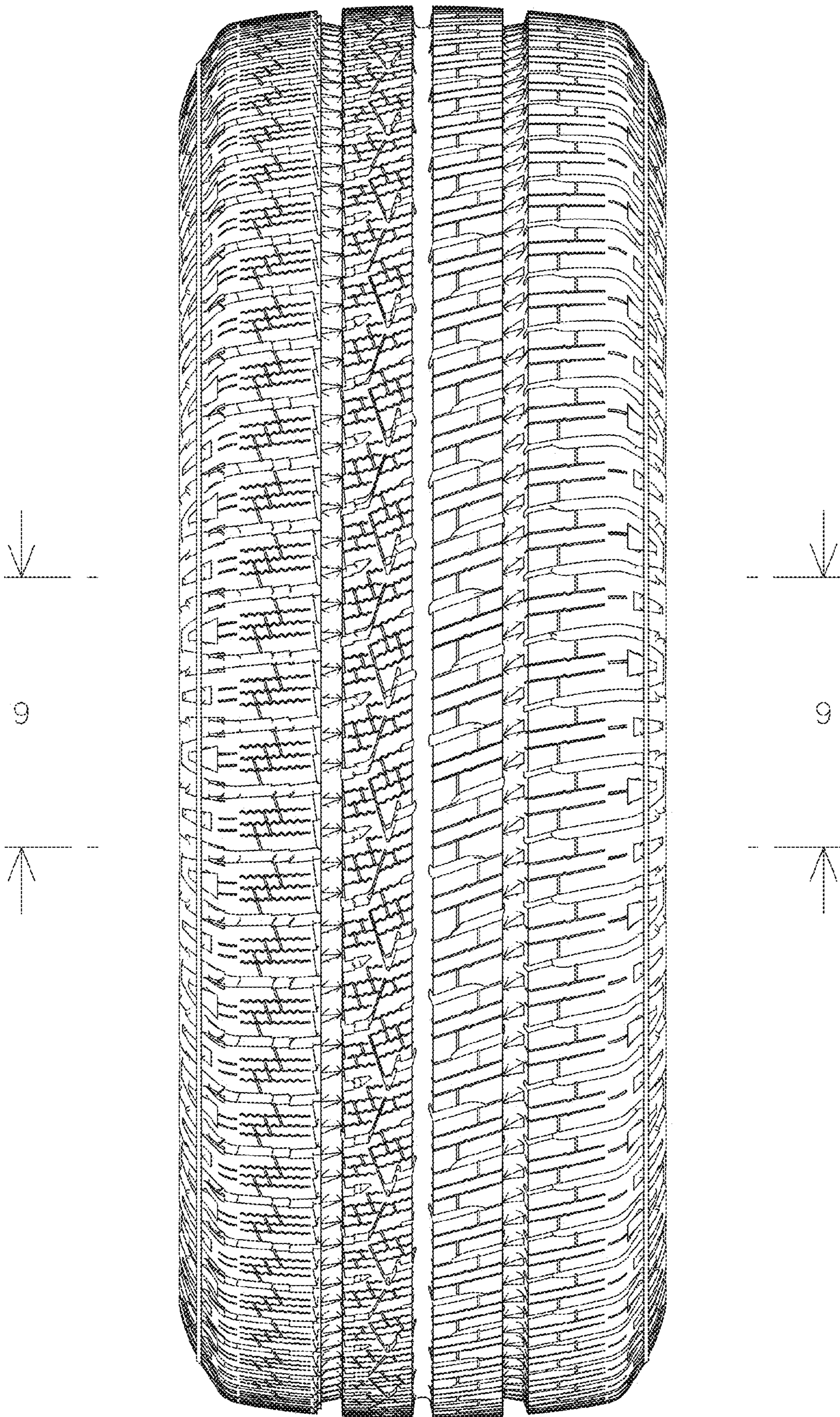


FIG. 2

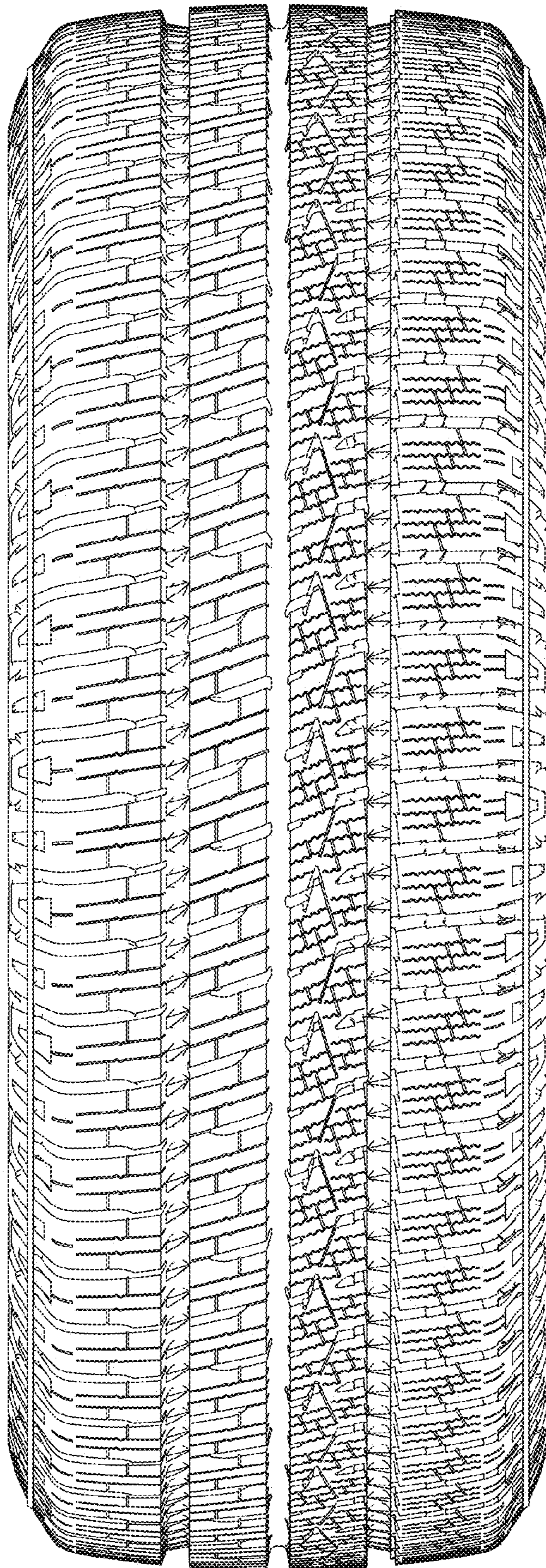


FIG. 3

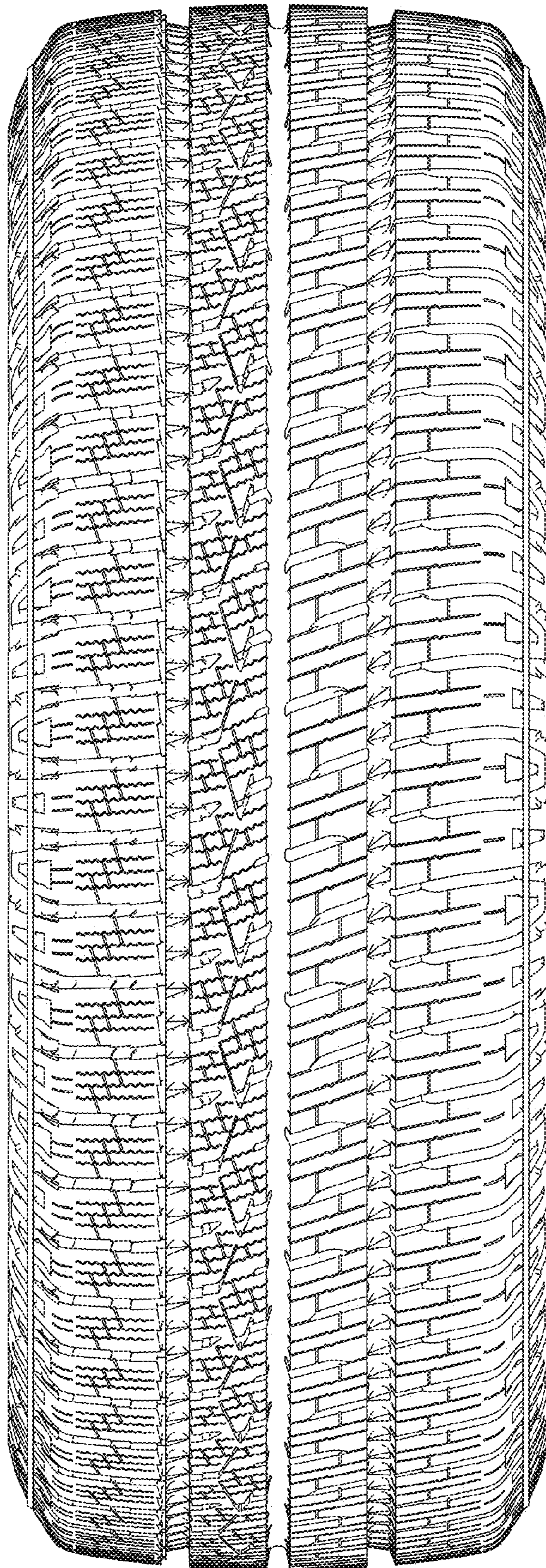


FIG. 4

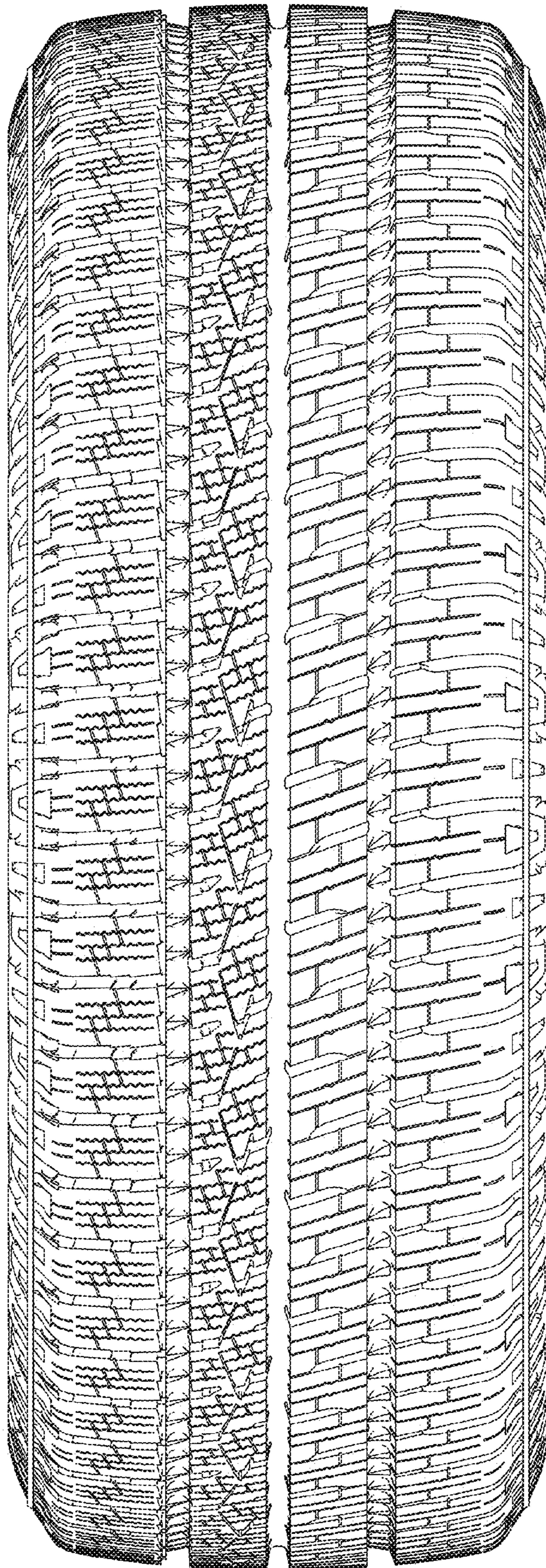


FIG. 5

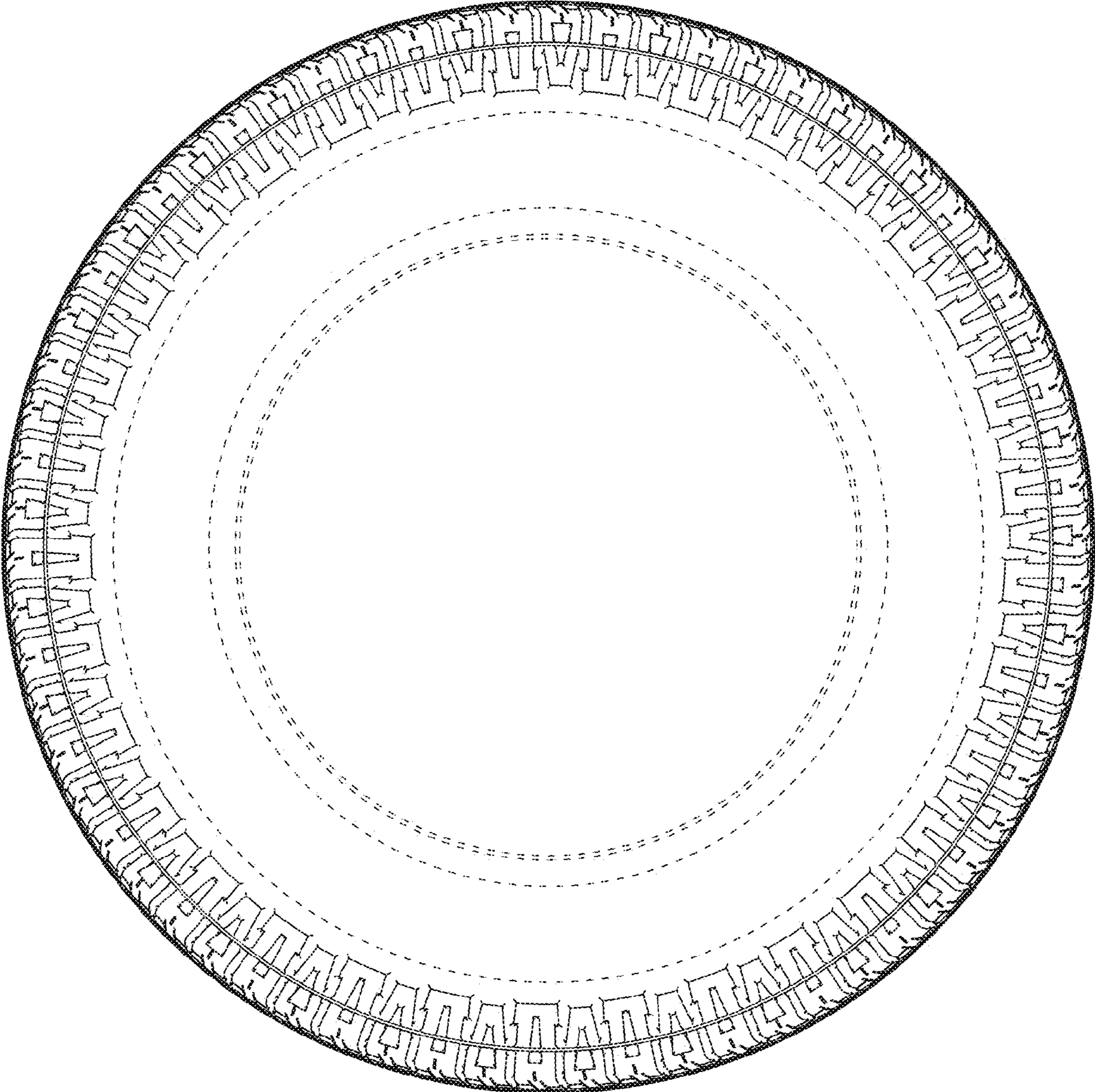


FIG. 6

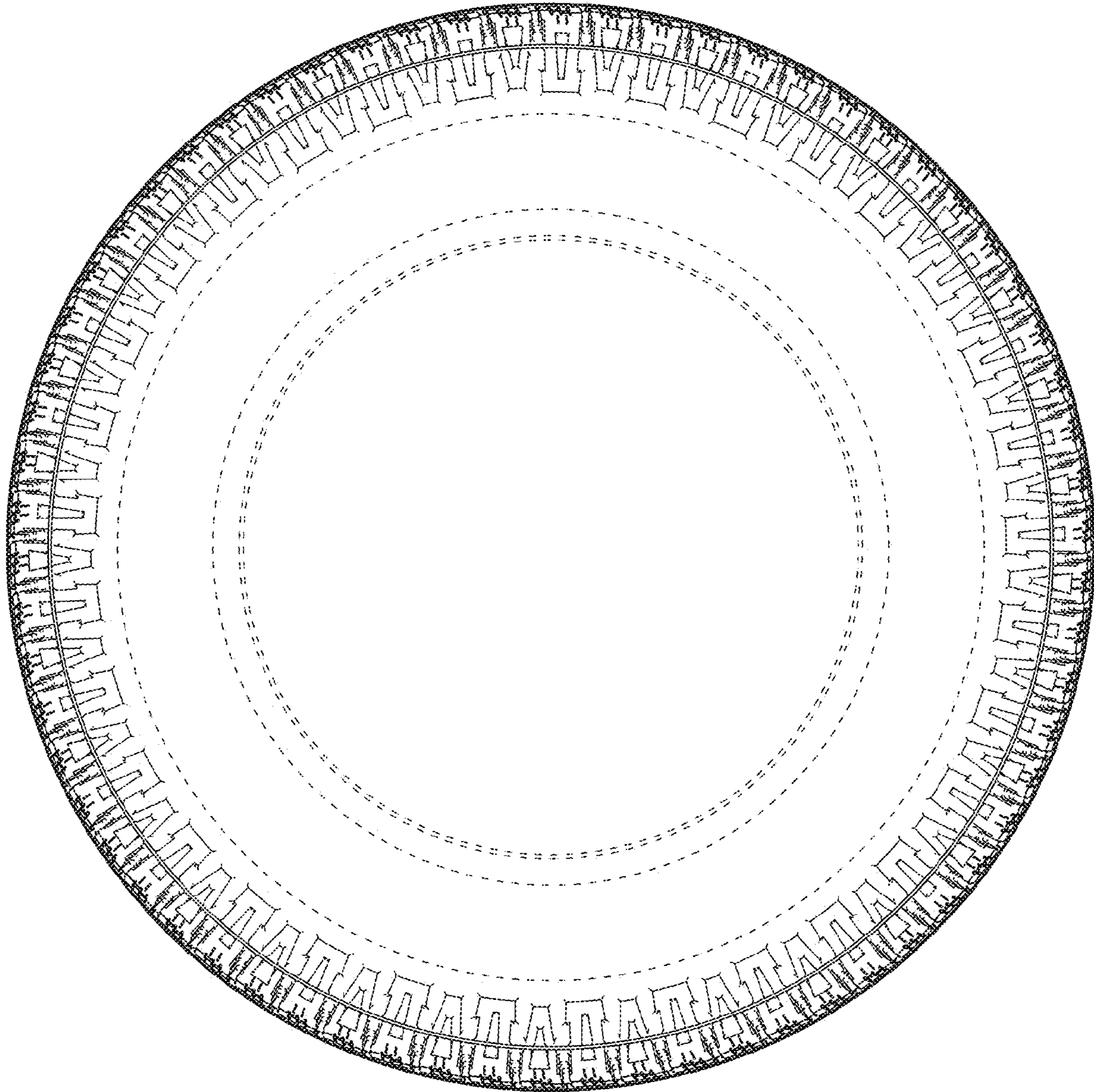


FIG. 7

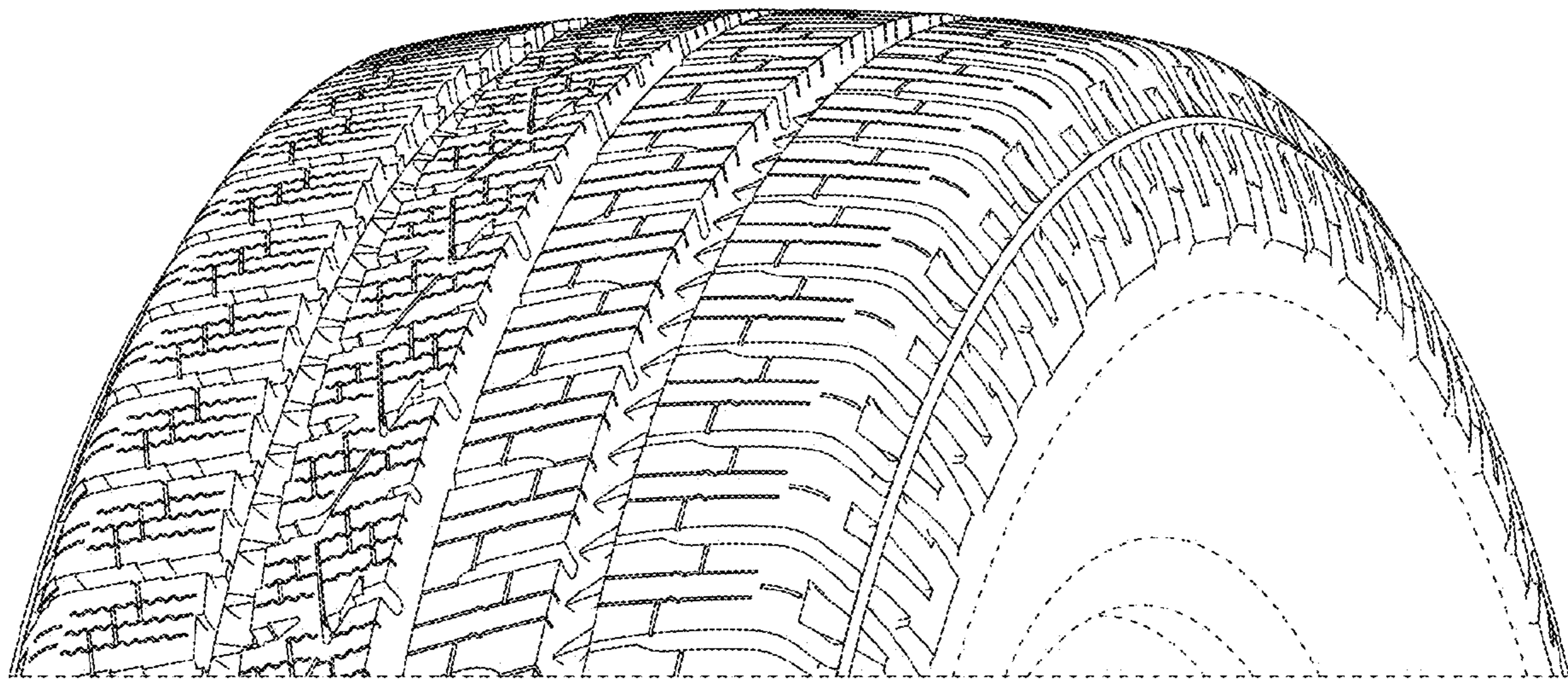


FIG. 8

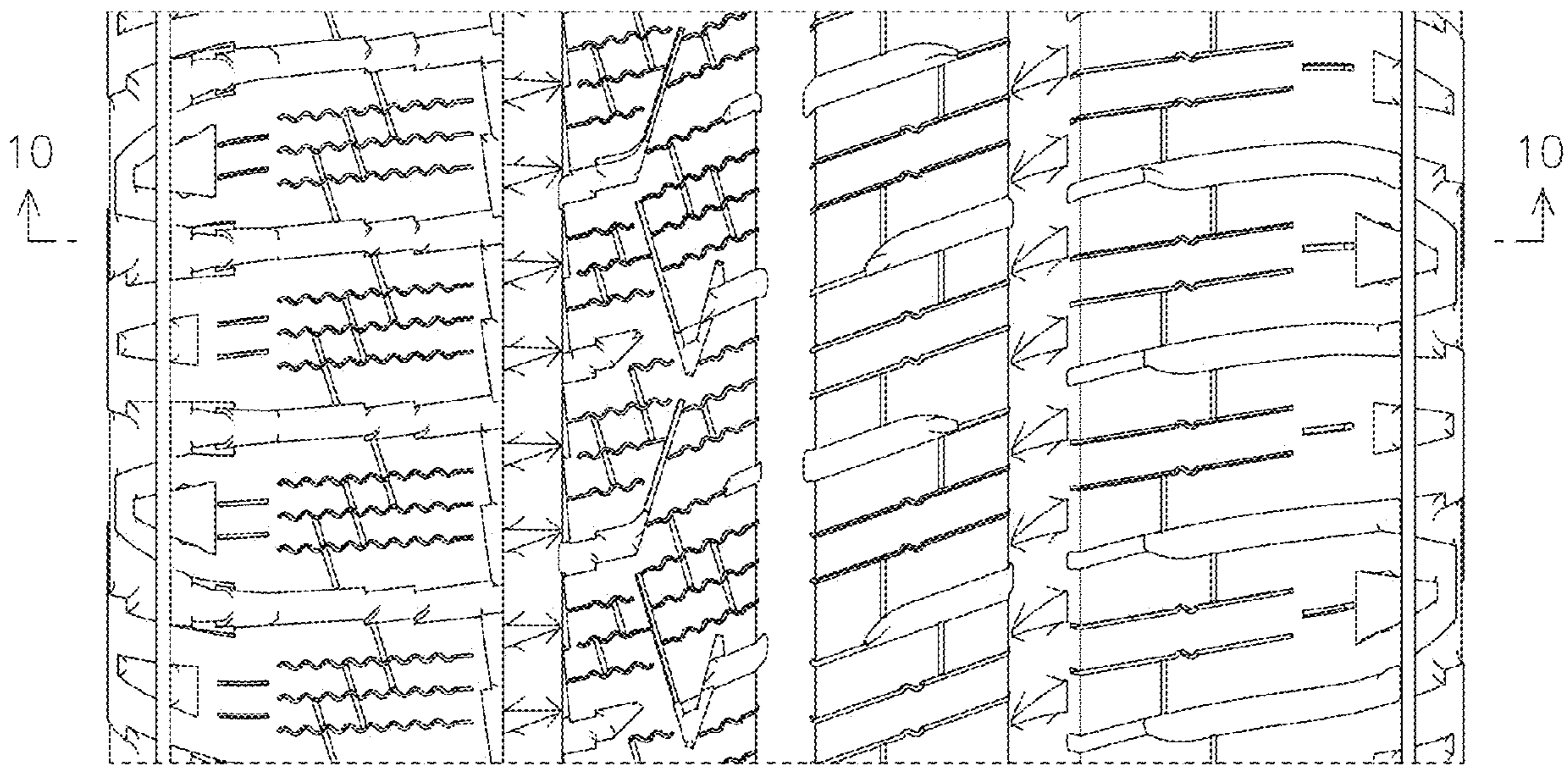


FIG. 9

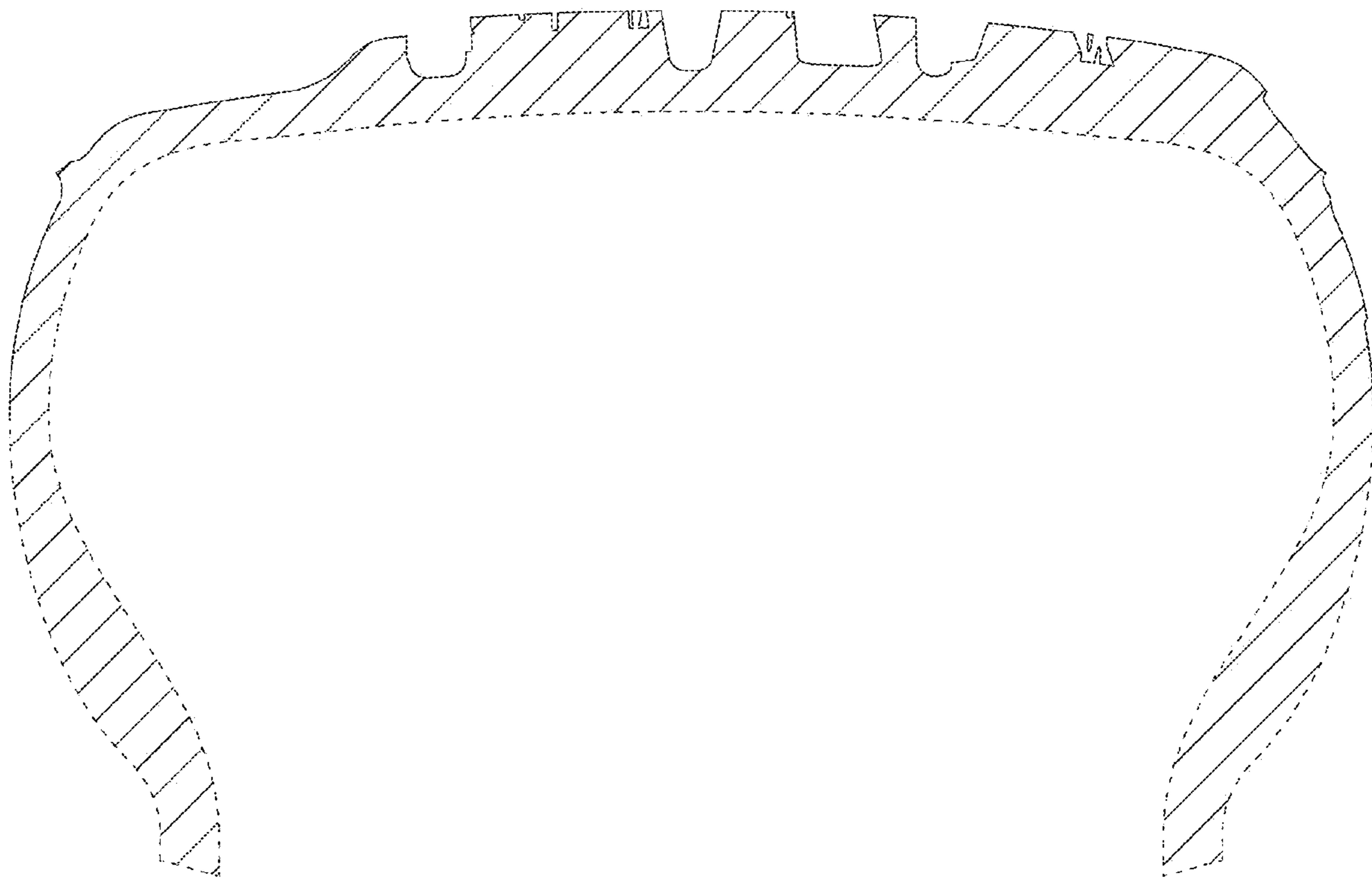


FIG. 10