



US00D949773S

(12) **United States Design Patent**  
**Huang**

(10) **Patent No.:** **US D949,773 S**

(45) **Date of Patent:** **\*\* Apr. 26, 2022**

- (54) **TRAY**
- (71) Applicant: **Guangzhou Huanganna Trading Co., Ltd.**, Guangzhou (CN)
- (72) Inventor: **Jiajia Huang**, Shantou (CN)
- (73) Assignee: **Guangzhou Huanganna Trading Co., Ltd.**, Guangzhou (CN)

D831,505 S	10/2018	Mcsweeney et al.	
D879,015 S *	3/2020	Besley .....	D12/424
D883,901 S *	5/2020	McMurrin .....	D12/419
D916,647 S *	4/2021	Chen .....	D12/425
D932,420 S *	10/2021	Bruni .....	D12/425
D935,380 S *	11/2021	Ma .....	D12/421
D940,057 S *	1/2022	Guo .....	D12/425
D942,366 S *	2/2022	Liang .....	D12/425
2017/0143135 A1 *	5/2017	Christopherson .....	A47D 1/008
2021/0316866 A1 *	10/2021	Carlioz .....	B64D 11/0605

(\*\*) Term: **15 Years**

(21) Appl. No.: **29/778,397**

(22) Filed: **Apr. 13, 2021**

(51) **LOC (13) Cl.** ..... **12-16**

(52) **U.S. Cl.**  
USPC ..... **D12/425**

(58) **Field of Classification Search**  
USPC ..... D12/425, 400, 406, 415-420, 424, 426  
CPC ..... B63B 25/00; B63B 7/085; B63B 35/00;  
B63B 17/00; B60R 16/04  
See application file for complete search history.

(56) **References Cited**

**U.S. PATENT DOCUMENTS**

D474,733 S *	5/2003	Webb .....	D12/419
D573,940 S *	7/2008	Heneghan .....	D12/425
D680,943 S *	4/2013	Avalos Sartorio .....	D12/415
D702,943 S	4/2014	AWilliams et al.	
D809,934 S	2/2018	Shoshan et al.	

\* cited by examiner

*Primary Examiner* — Katrina A Betton

(74) *Attorney, Agent, or Firm* — Jinggao Li

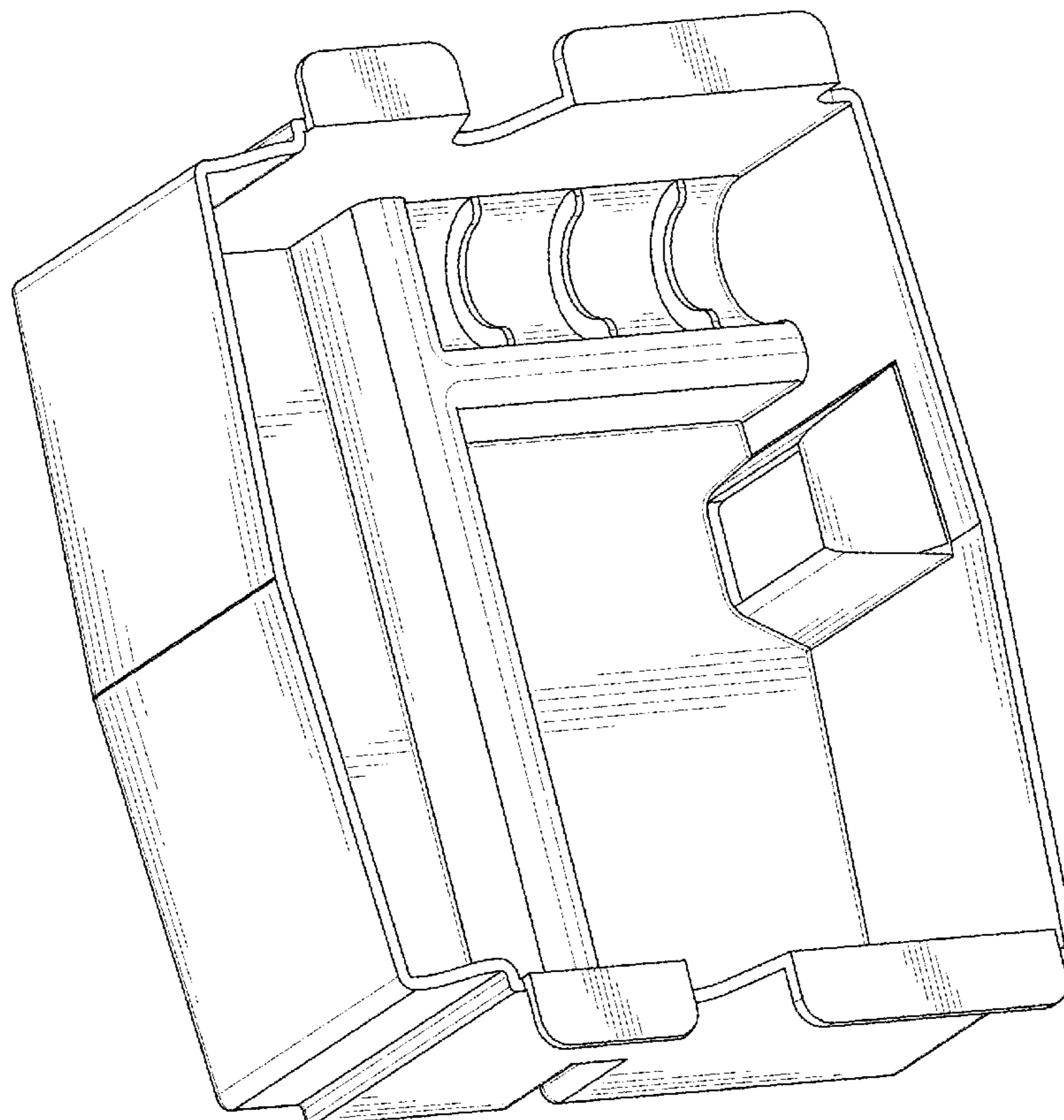
(57) **CLAIM**

The ornamental design for tray, as shown and described.

**DESCRIPTION**

FIG. 1 is a perspective view of a tray for vehicle on board controller showing my new design;  
FIG. 2 is another perspective view thereof;  
FIG. 3 is a front view thereof;  
FIG. 4 is a rear view thereof;  
FIG. 5 is a left side view thereof;  
FIG. 6 is a right side view thereof;  
FIG. 7 is a top plan view thereof; and,  
FIG. 8 is a bottom plan view thereof.

**1 Claim, 8 Drawing Sheets**



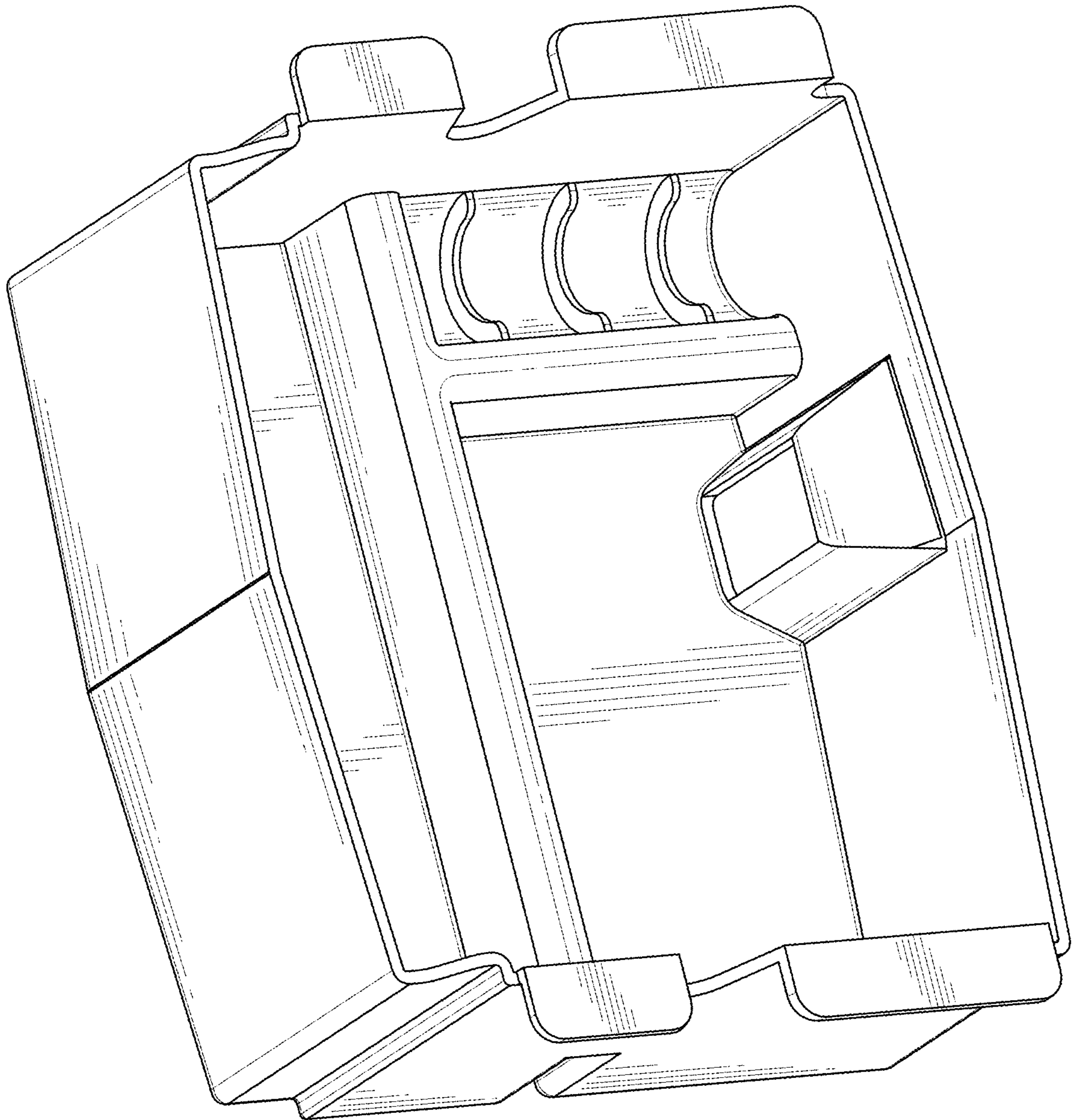


FIG. 1

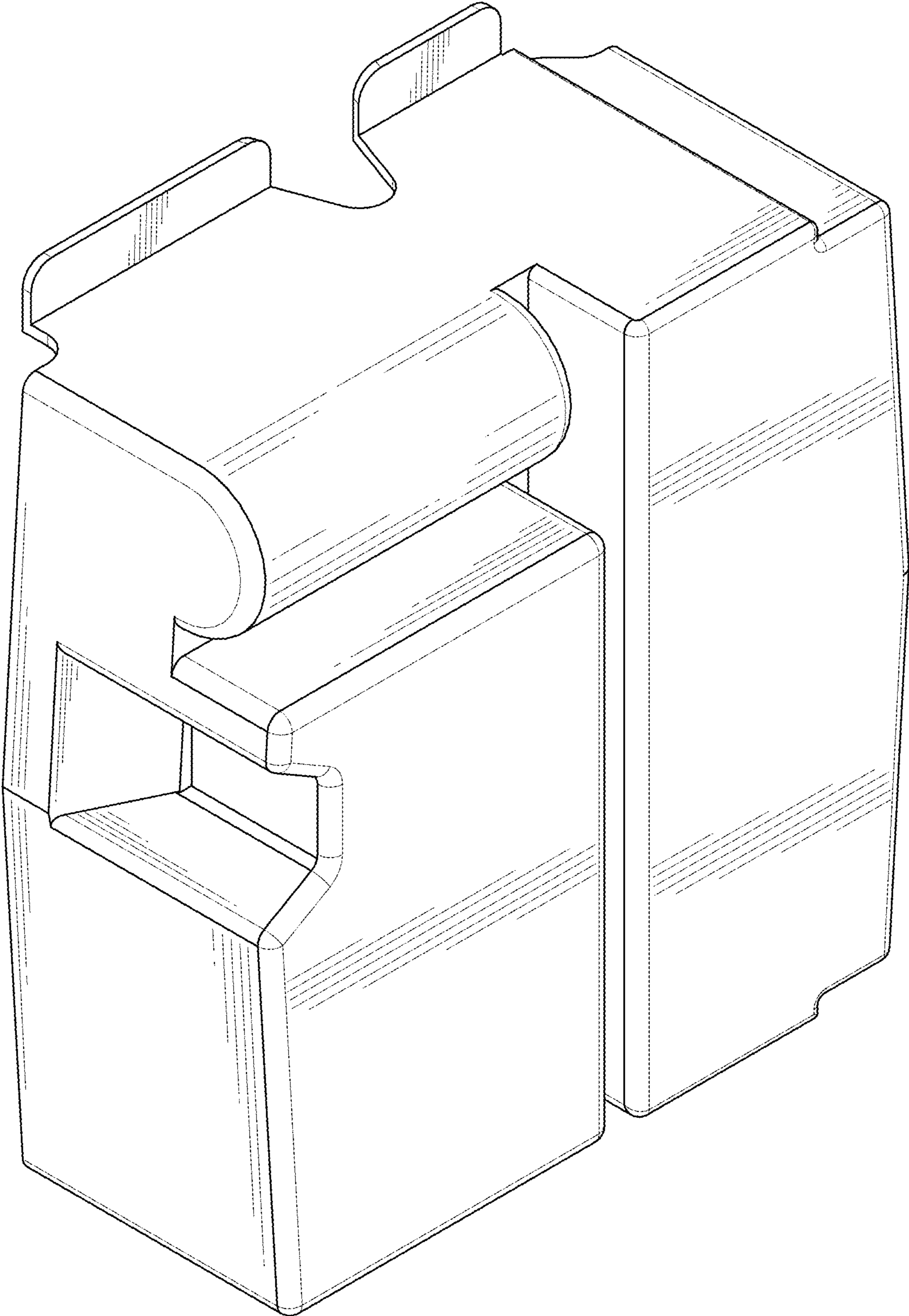


FIG. 2

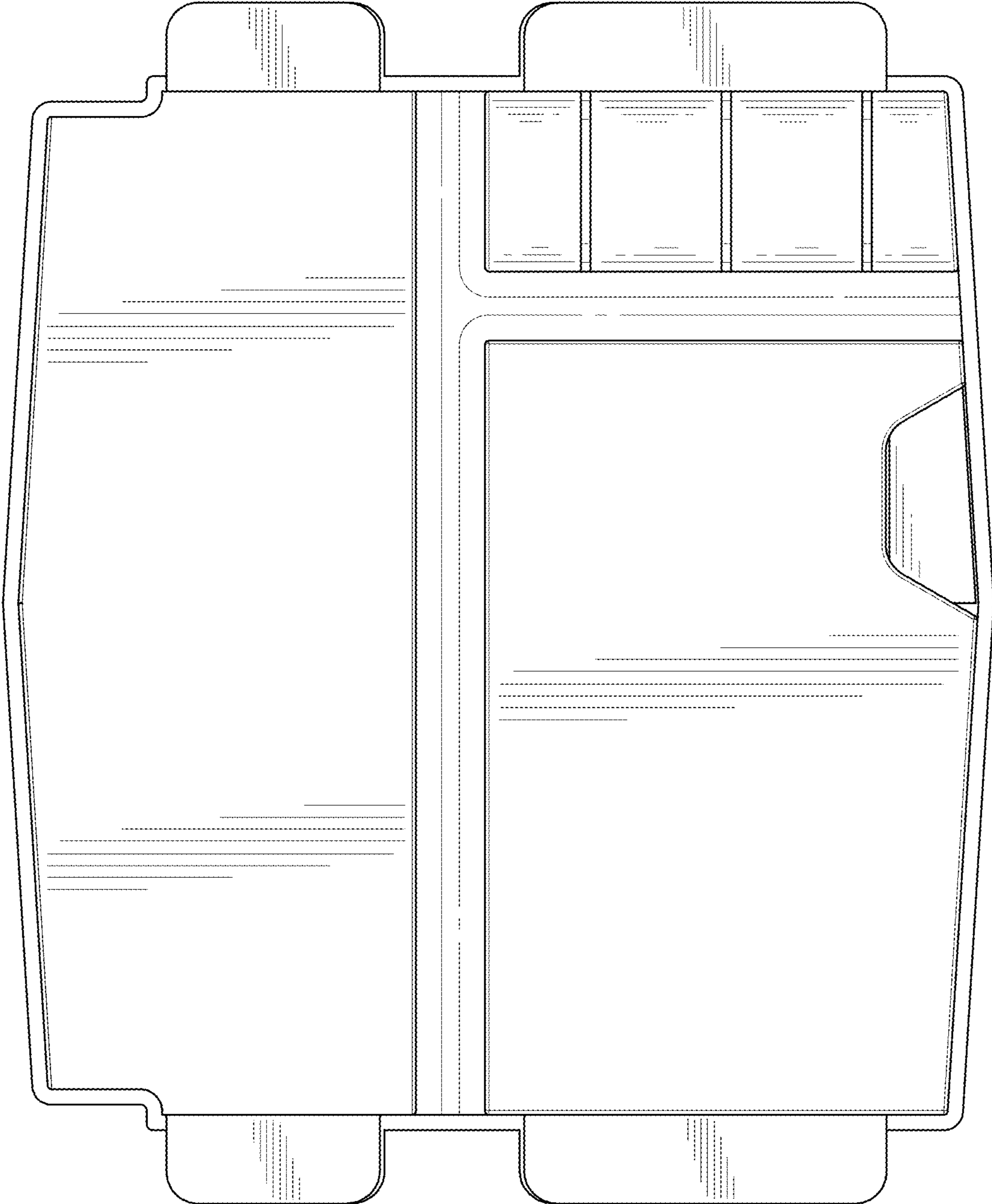


FIG. 3

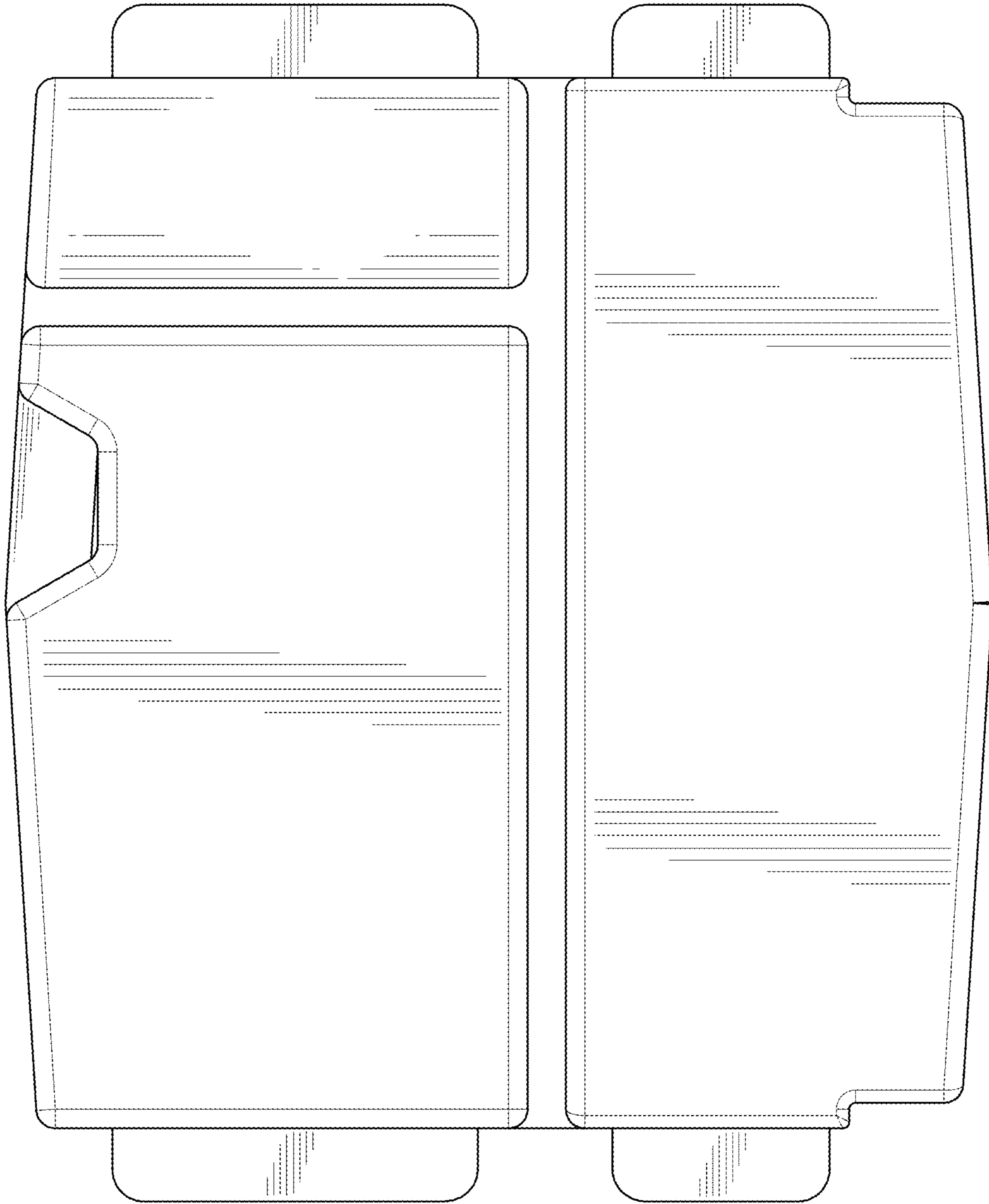


FIG. 4

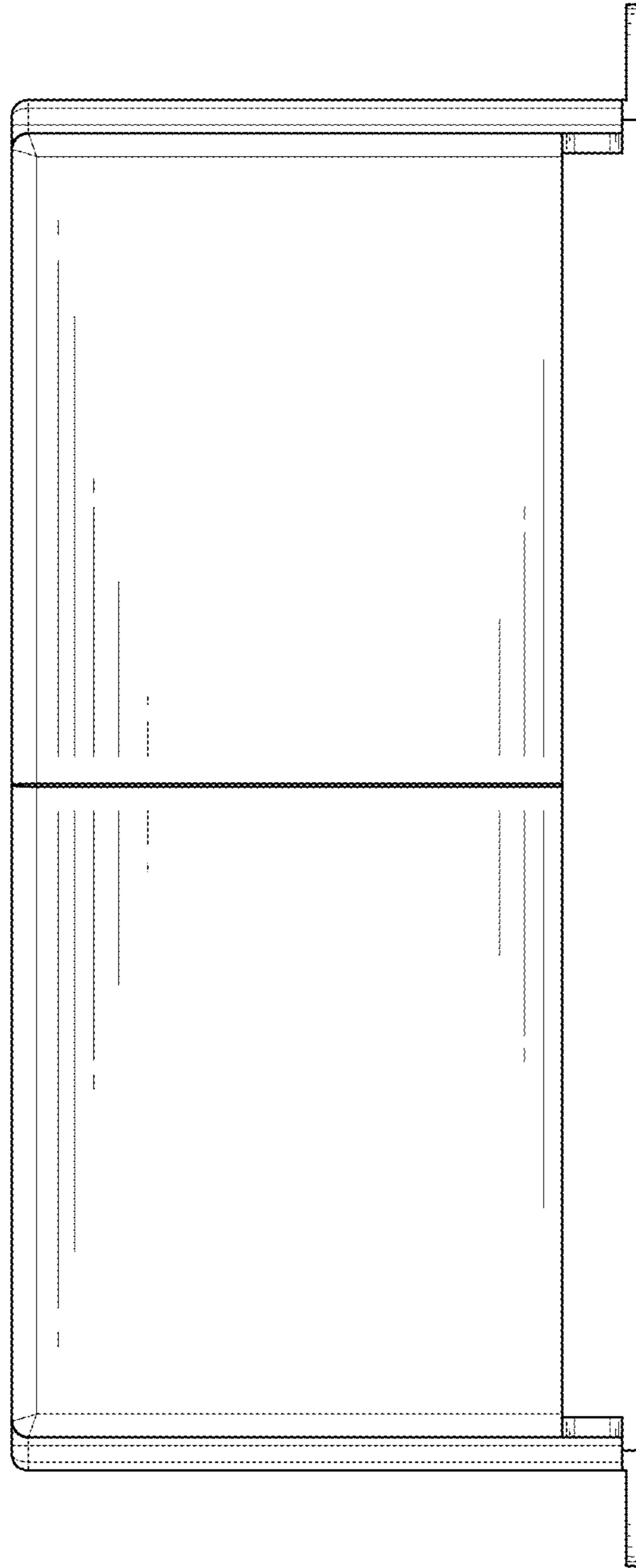


FIG. 5

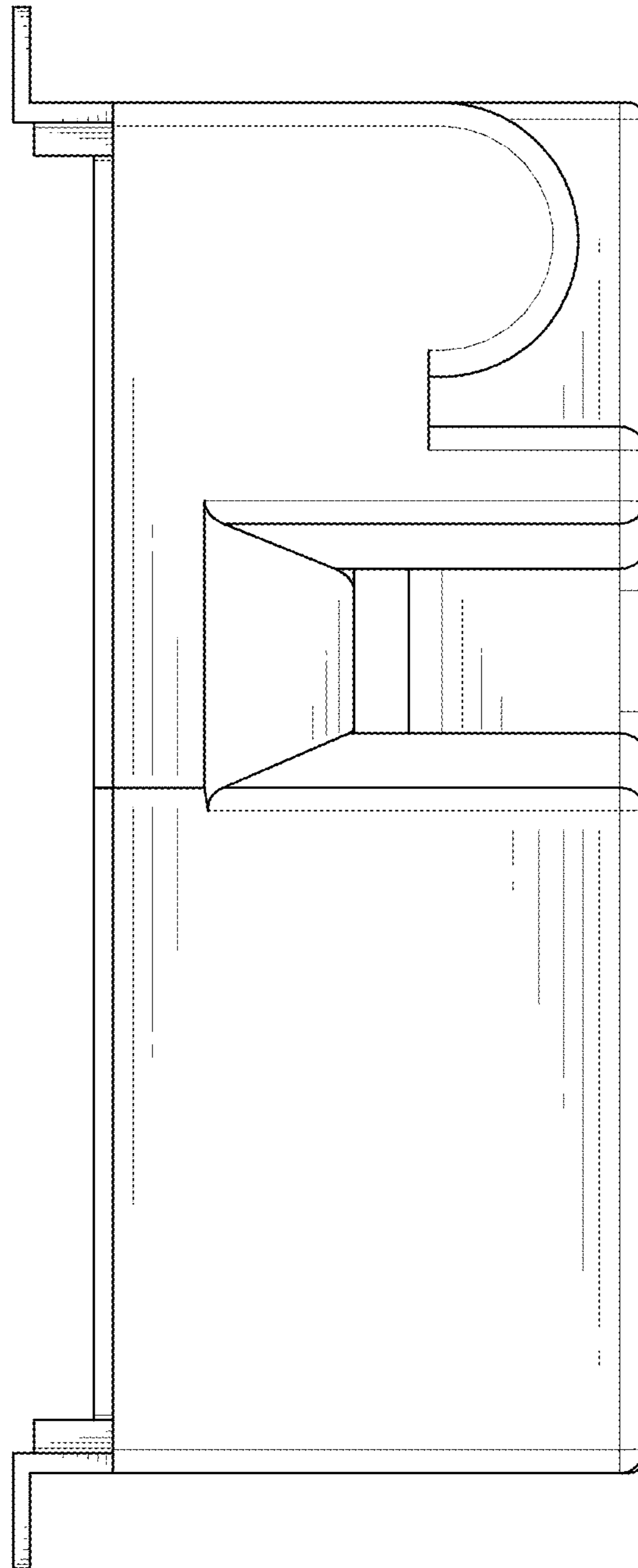


FIG. 6

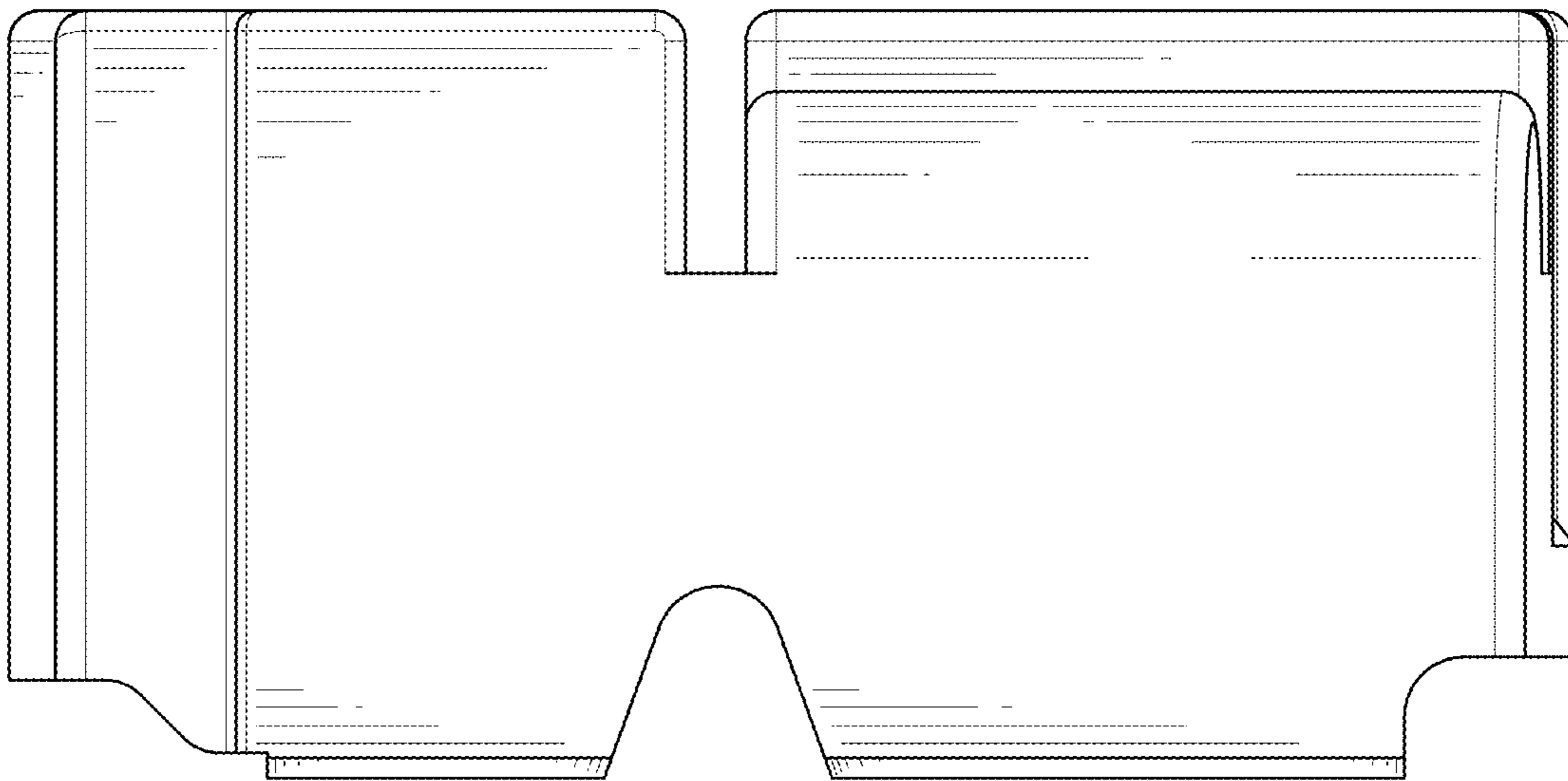


FIG. 7



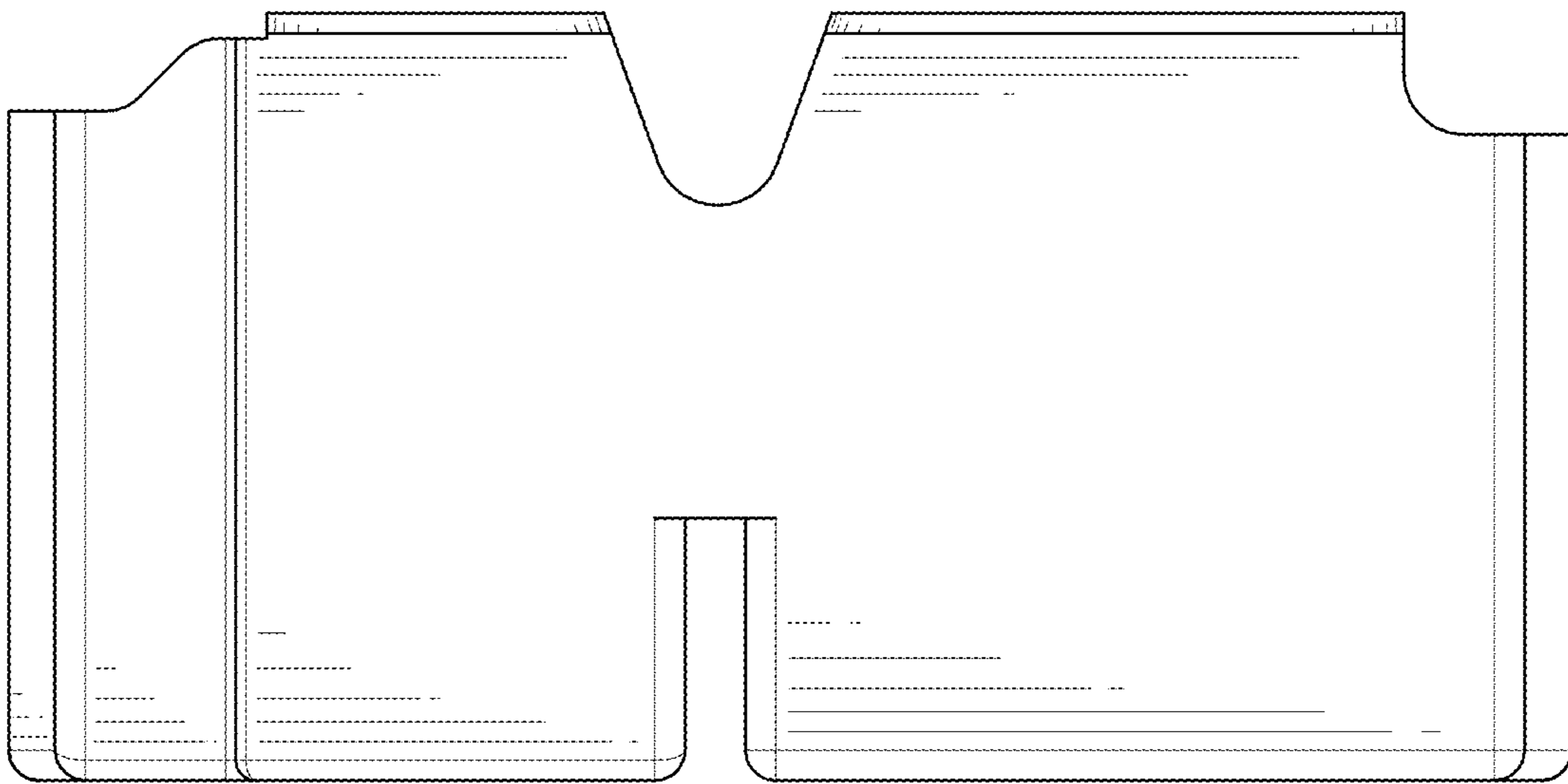


FIG. 8