



US00D949772S

(12) **United States Design Patent**  
**Zheng**

(10) **Patent No.:** **US D949,772 S**  
(45) **Date of Patent:** **\*\* Apr. 26, 2022**

- (54) **SKI SNOWBOARD VISE**
- (71) Applicant: **Zhouyang Zheng**, Longyan (CN)
- (72) Inventor: **Zhouyang Zheng**, Longyan (CN)
- (\*\*) Term: **15 Years**
- (21) Appl. No.: **29/778,752**
- (22) Filed: **Apr. 14, 2021**
- (51) **LOC (13) Cl.** ..... **12-16**
- (52) **U.S. Cl.**  
USPC ..... **D12/406**
- (58) **Field of Classification Search**  
USPC ..... D12/401-411; D6/510-611;  
D3/304-306  
CPC .... B60R 9/00; B60R 9/02; B60R 9/04; B60R  
9/08; B60R 9/042; B60R 9/0423; B60R  
9/0426; B60R 9/045; B60R 9/048; B60R  
9/0485; B60R 9/05; B60R 9/052; B60R  
9/055; B60R 9/058; B60R 9/06; B60R  
9/065; B60R 9/10; B60R 9/12  
See application file for complete search history.

- D834,495 S \* 11/2018 Fenoglio ..... D12/406
- D845,872 S \* 4/2019 Monroe ..... D12/406
- D873,758 S \* 1/2020 Adler ..... D12/407
- D888,648 S \* 6/2020 Stoneburner ..... D12/406
- D895,530 S \* 9/2020 Lathrop ..... D12/412
- D906,223 S \* 12/2020 Larsson ..... D12/406
- D908,593 S \* 1/2021 Wang ..... D12/406
- D919,550 S \* 5/2021 Teng ..... D12/412
- D924,780 S \* 7/2021 Stoner ..... D12/406
- D929,930 S \* 9/2021 Park ..... D12/406
- D929,931 S \* 9/2021 Wang ..... D12/406
- D933,579 S \* 10/2021 Gaddis ..... D12/406

\* cited by examiner

*Primary Examiner* — Katrina A Betton

(74) *Attorney, Agent, or Firm* — Xiaofang Zhong; Law Office of Xiaofang Zhong, PLLC

(57) **CLAIM**

The ornamental design for a ski snowboard vise, as shown and described.

**DESCRIPTION**

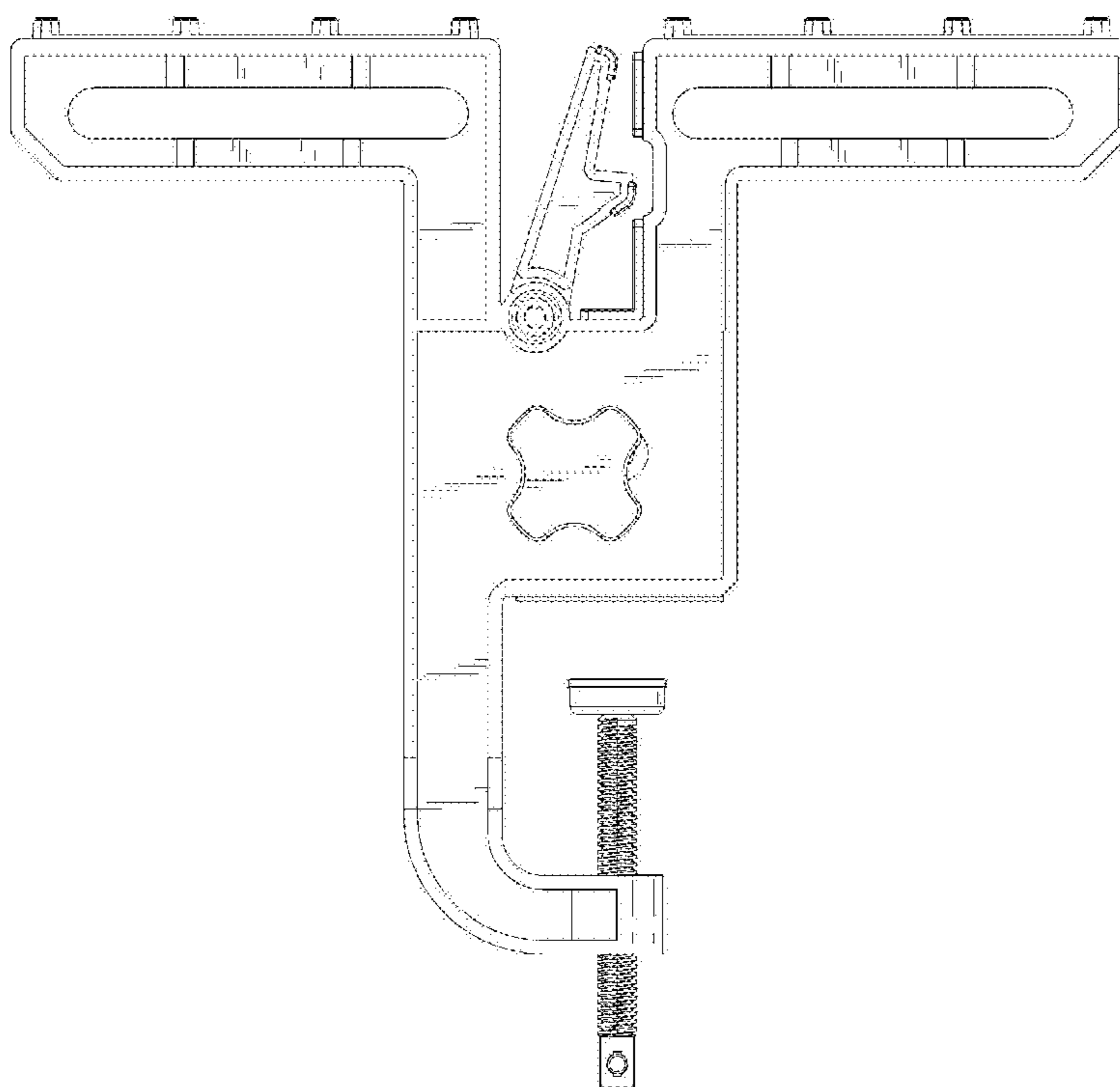
FIG. 1 is a perspective view of a ski snowboard vise showing my new design;  
 FIG. 2 is a right side elevational view thereof;  
 FIG. 3 is a left side elevational view thereof;  
 FIG. 4 is a front elevational view thereof;  
 FIG. 5 is a rear elevational view thereof;  
 FIG. 6 is a top plan view thereof; and,  
 FIG. 7 is a bottom plan view thereof.  
 The broken lines in the drawings depict portions of the ski snowboard vise that form no part of the claimed design.

(56) **References Cited**

**U.S. PATENT DOCUMENTS**

- 3,854,712 A 12/1974 Mcgee
- D234,245 S 2/1975 McGee
- D245,475 S 8/1977 Bourgeois
- D389,888 S 1/1998 Weissenborn
- 6,663,094 B2 12/2003 Weissenborn
- D736,586 S 8/2015 Fukui et al.
- D742,711 S 11/2015 Maxfield
- D830,947 S \* 10/2018 Adler ..... D12/406

**1 Claim, 7 Drawing Sheets**



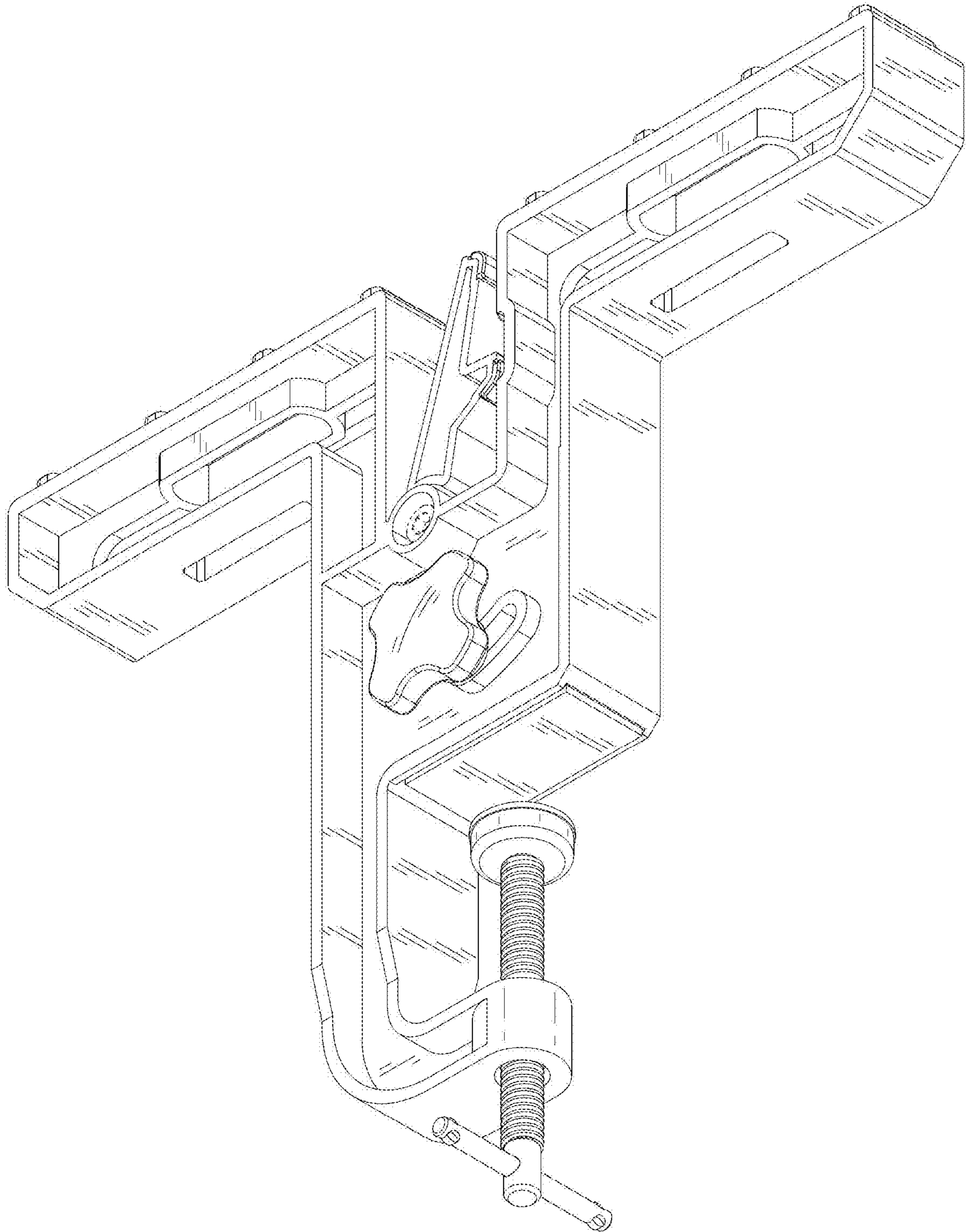


FIG. 1

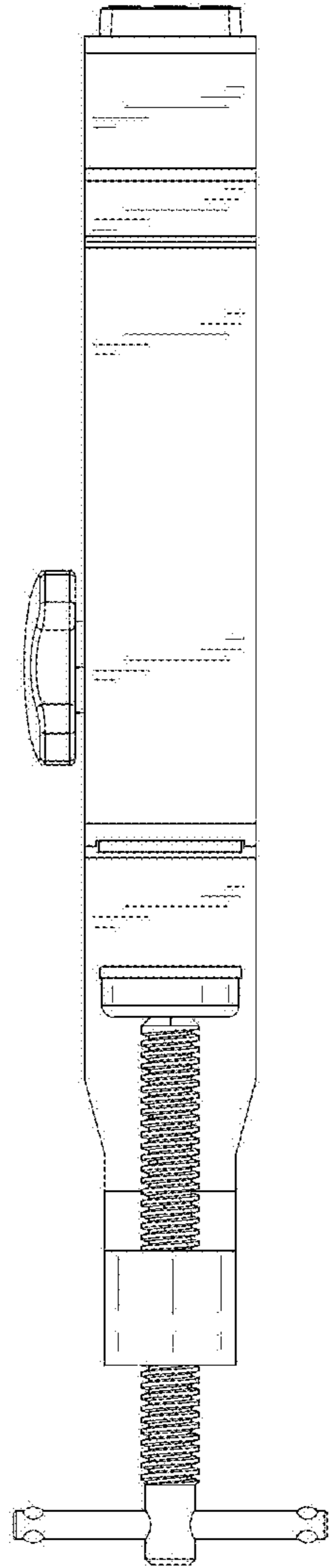


FIG. 2

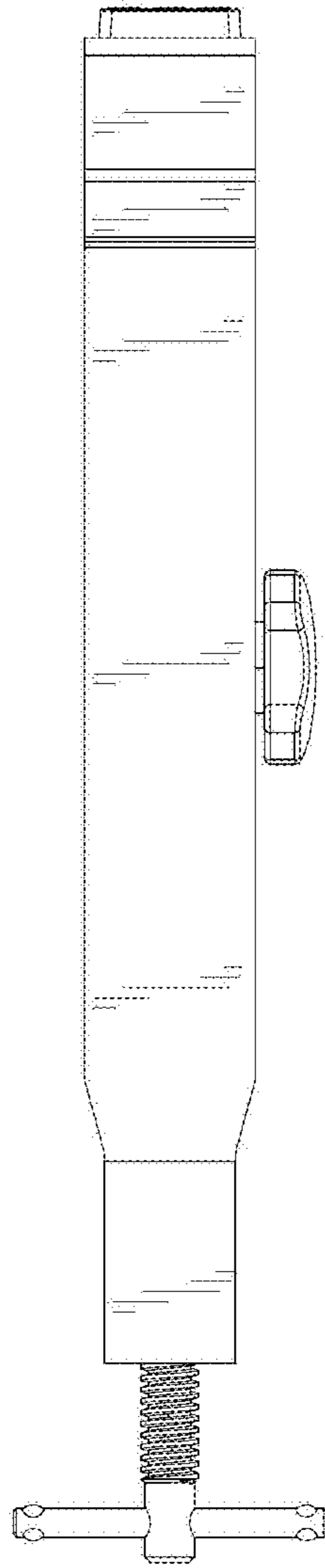


FIG. 3

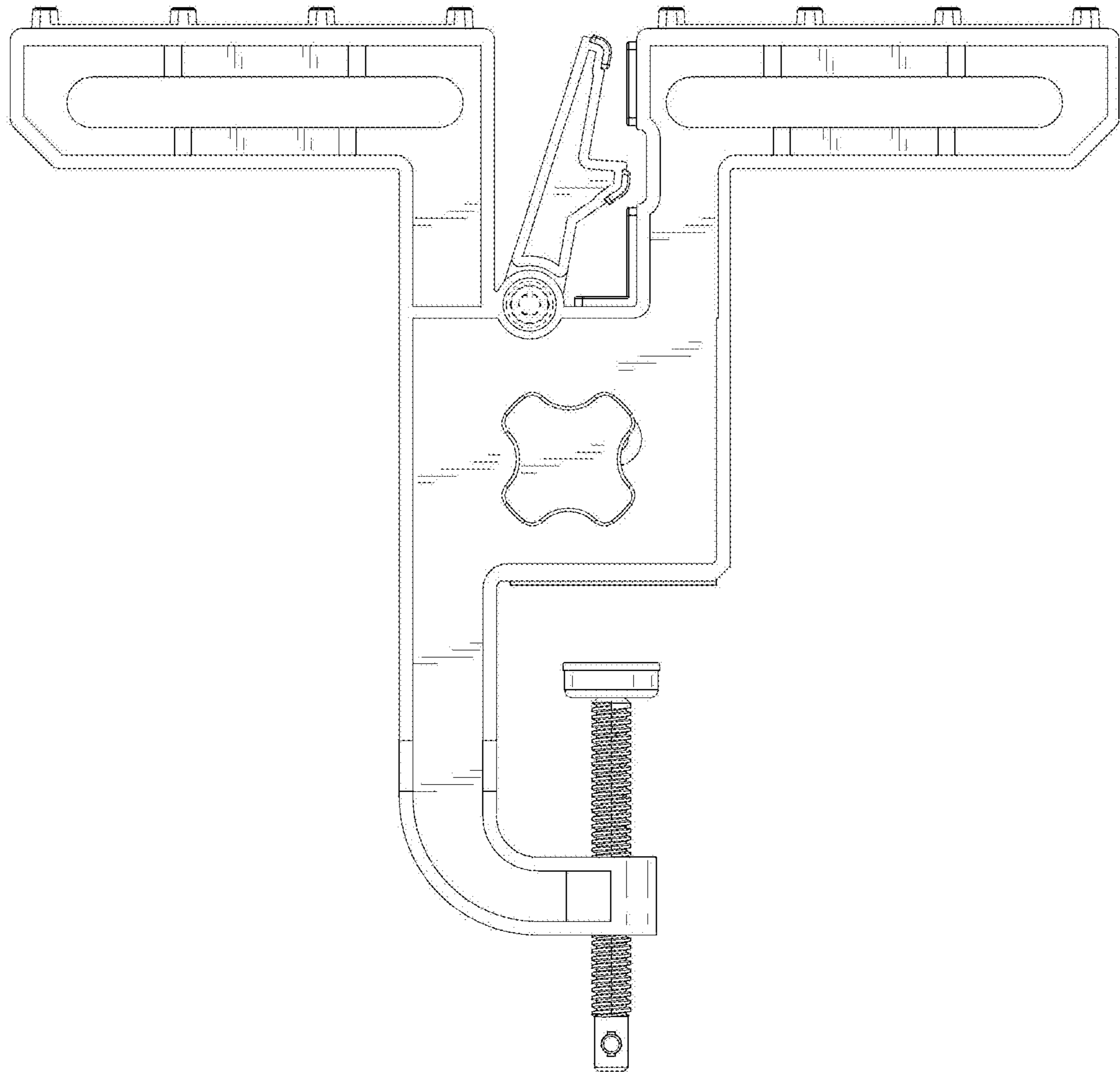


FIG. 4

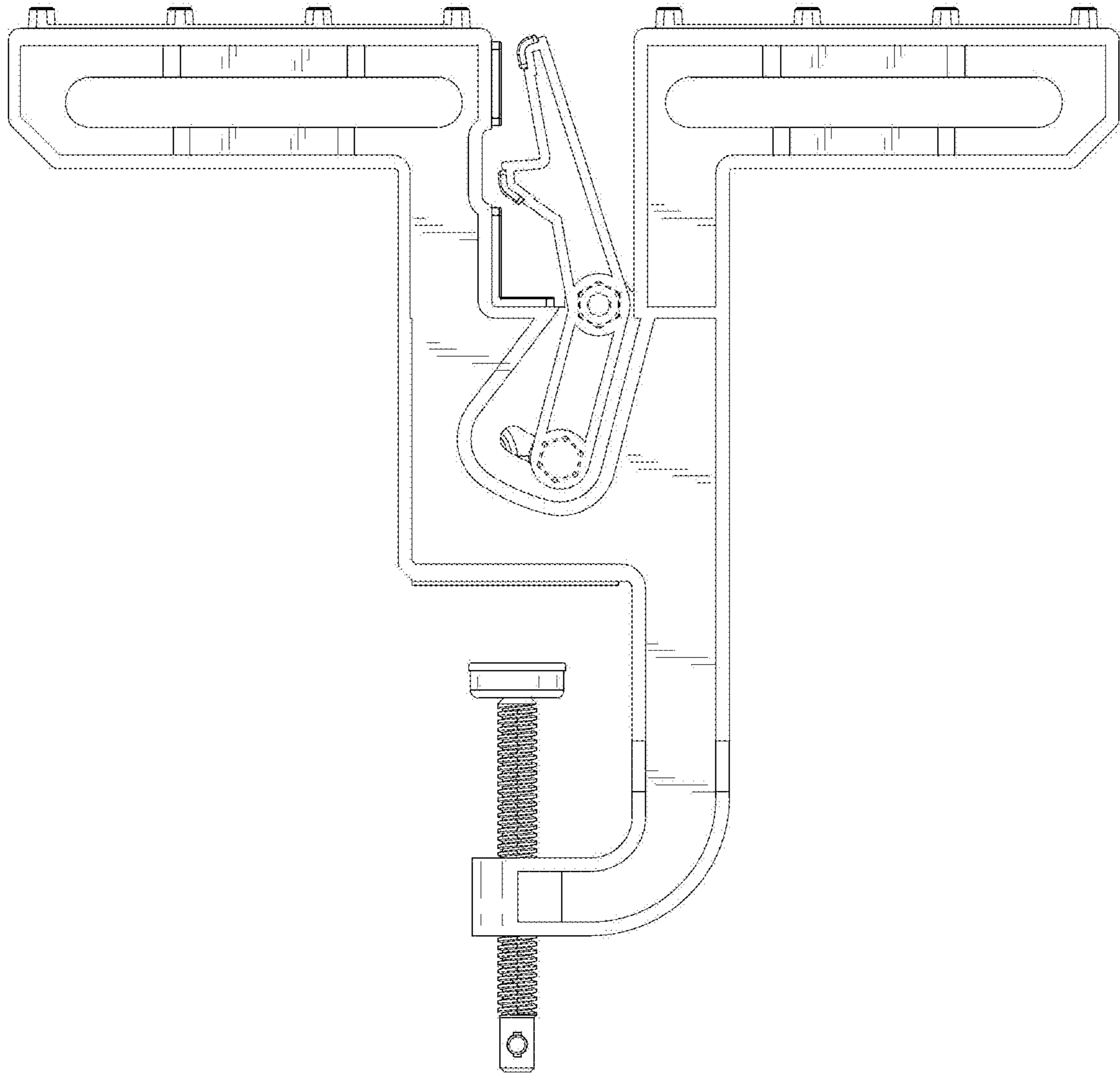


FIG. 5

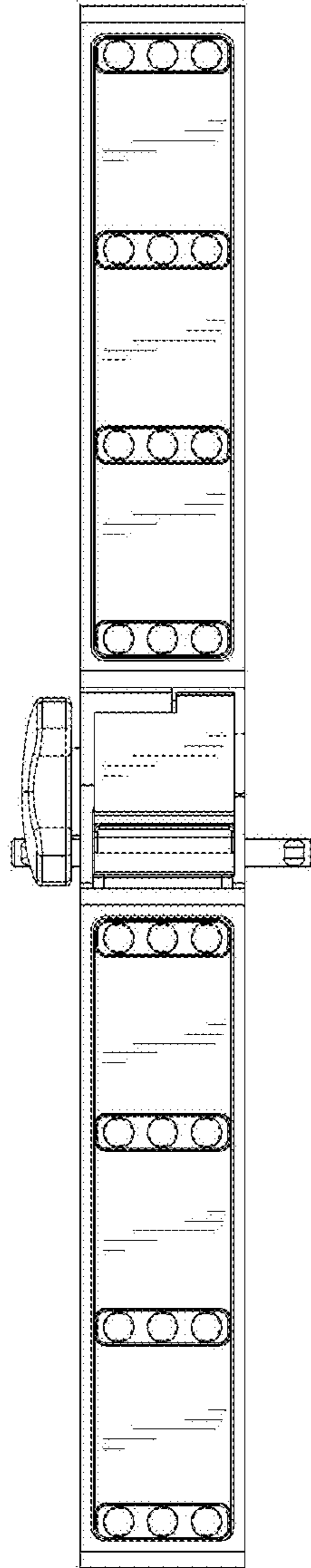


FIG. 6

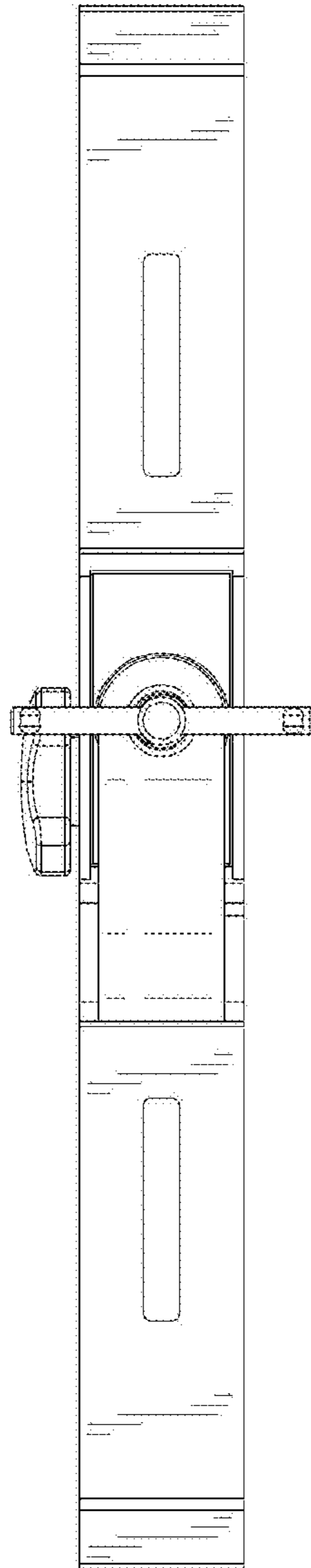


FIG. 7