



US00D949768S

(12) **United States Design Patent** (10) **Patent No.:** **US D949,768 S**
Yeh (45) **Date of Patent:** **** Apr. 26, 2022**

(54) **CAR FRONT BUMPER LIP**

(71) Applicant: **Tzu-Ling Yeh**, Jiangsu (CN)

(72) Inventor: **Tzu-Ling Yeh**, Jiangsu (CN)

(**) Term: **15 Years**

(21) Appl. No.: **29/760,860**

(22) Filed: **Dec. 4, 2020**

(51) **LOC (13) Cl.** **12-16**

(52) **U.S. Cl.**
USPC **D12/196**

(58) **Field of Classification Search**

USPC D12/82, 85, 86, 88, 89, 90, 91, 92, 93,
D12/96, 98, 99, 101, 102, 106, 163, 164,
D12/165, 166, 167, 169, 170, 171, 172,
D12/173, 181, 184, 185, 190, 192, 196,
D12/216, 223, 400; D21/533, 548, 552,
D21/561

CPC B60R 19/00; B60R 19/02; B60R 19/04;
B60R 19/16; B60R 19/18; B60R 19/24;
B60R 19/26; B60R 19/44; B60R 19/48;
B60R 19/52; B60R 2019/007; B60R
2019/026; B60R 2019/522; B60R
2019/525; B60R 2019/527; B60R

(Continued)

(56) **References Cited**

U.S. PATENT DOCUMENTS

D542,196 S * 5/2007 Levy D12/169
D601,063 S * 9/2009 Lamm D12/169

(Continued)

Primary Examiner — Cary M Robinson

Assistant Examiner — Adam C Mager

(57) **CLAIM**

The ornamental design for a car front bumper lip, as shown and described.

DESCRIPTION

FIG. 1 is a perspective view of a car front bumper lip in an assembled state showing our new design;

FIG. 2 is another perspective view in an assembled state thereof;

FIG. 3 is a front view in an assembled state thereof;

FIG. 4 is a back view in an assembled state thereof;

FIG. 5 is an enlarged left view in an assembled state thereof;

FIG. 6 is an enlarged right view in an assembled state thereof;

FIG. 7 is a top view in an assembled state thereof;

FIG. 8 is a bottom view in an assembled state thereof;

FIG. 9 is a partially enlarged view of FIG. 1;

FIG. 10 is a partially enlarged view of FIG. 2;

FIG. 11 is a partially enlarged view of FIG. 3;

FIG. 12 is a partially enlarged view of FIG. 4;

FIG. 13 is a partially enlarged view of FIG. 7;

FIG. 14 is a partially enlarged view of FIG. 8;

FIG. 15 is a perspective view of a car front bumper lip in a disassembled state showing our new design;

FIG. 16 is another perspective view in a disassembled state thereof;

FIG. 17 is a front view in a disassembled state thereof;

FIG. 18 is a back view in a disassembled state thereof;

FIG. 19 is an enlarged left view in a disassembled state thereof;

FIG. 20 is an enlarged right view in a disassembled state thereof;

FIG. 21 is a top view in a disassembled state thereof;

FIG. 22 is a bottom view in a disassembled state thereof;

FIG. 23 is a partially enlarged view of FIG. 15;

FIG. 24 is a partially enlarged view of FIG. 16;

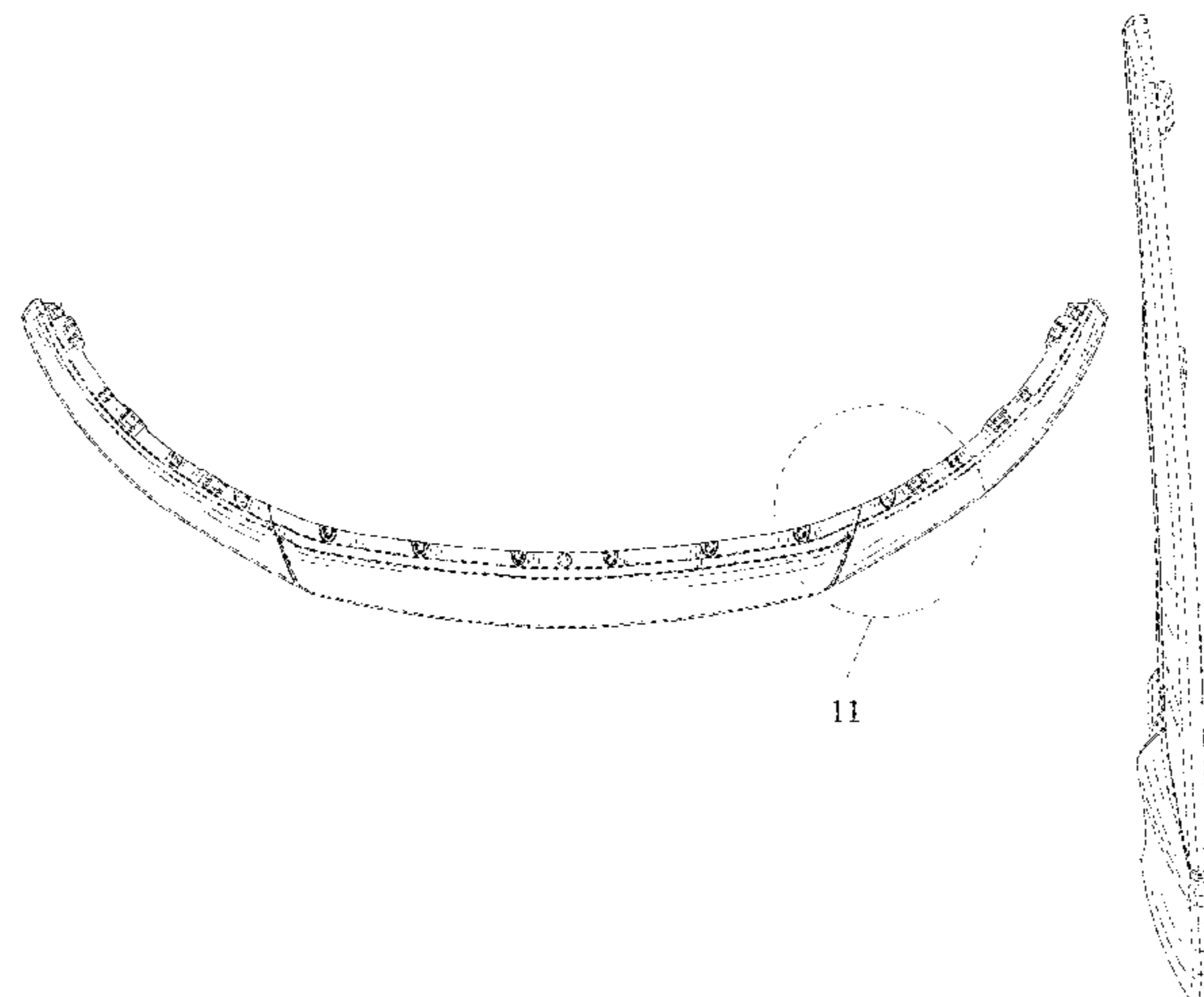
FIG. 25 is a partially enlarged view of FIG. 17;

FIG. 26 is a partially enlarged view of FIG. 18;

FIG. 27 is a partially enlarged view of FIG. 21; and,

FIG. 28 is a partially enlarged view of FIG. 22.

(Continued)



The broken lines shown on the drawings depict portions of the car front bumper lip that form no part of the claimed design.

1 Claim, 28 Drawing Sheets

(58) **Field of Classification Search**

CPC 2019/1813; B60R 2019/1833; B60R
2019/1886; B62D 25/02; B62D 25/08;
B62D 25/16; B62D 37/02; B60K 11/08;
B60K 11/085

See application file for complete search history.

(56) **References Cited**

U.S. PATENT DOCUMENTS

D614,099	S	*	4/2010	Ectors	D12/169
D614,555	S	*	4/2010	Ectors	D12/169
D678,142	S	*	3/2013	Behmer	D12/169
D826,112	S	*	8/2018	DiCanzio	D12/169
D828,258	S	*	9/2018	Zipfel	D12/190
D888,625	S	*	6/2020	Bentzen	D12/169
D891,334	S	*	7/2020	Woodhouse	D12/181
D899,980	S	*	10/2020	von Holzhausen	D12/181
D922,276	S	*	6/2021	Chen	D12/169
D942,904	S	*	2/2022	Fischer	D12/172

* cited by examiner

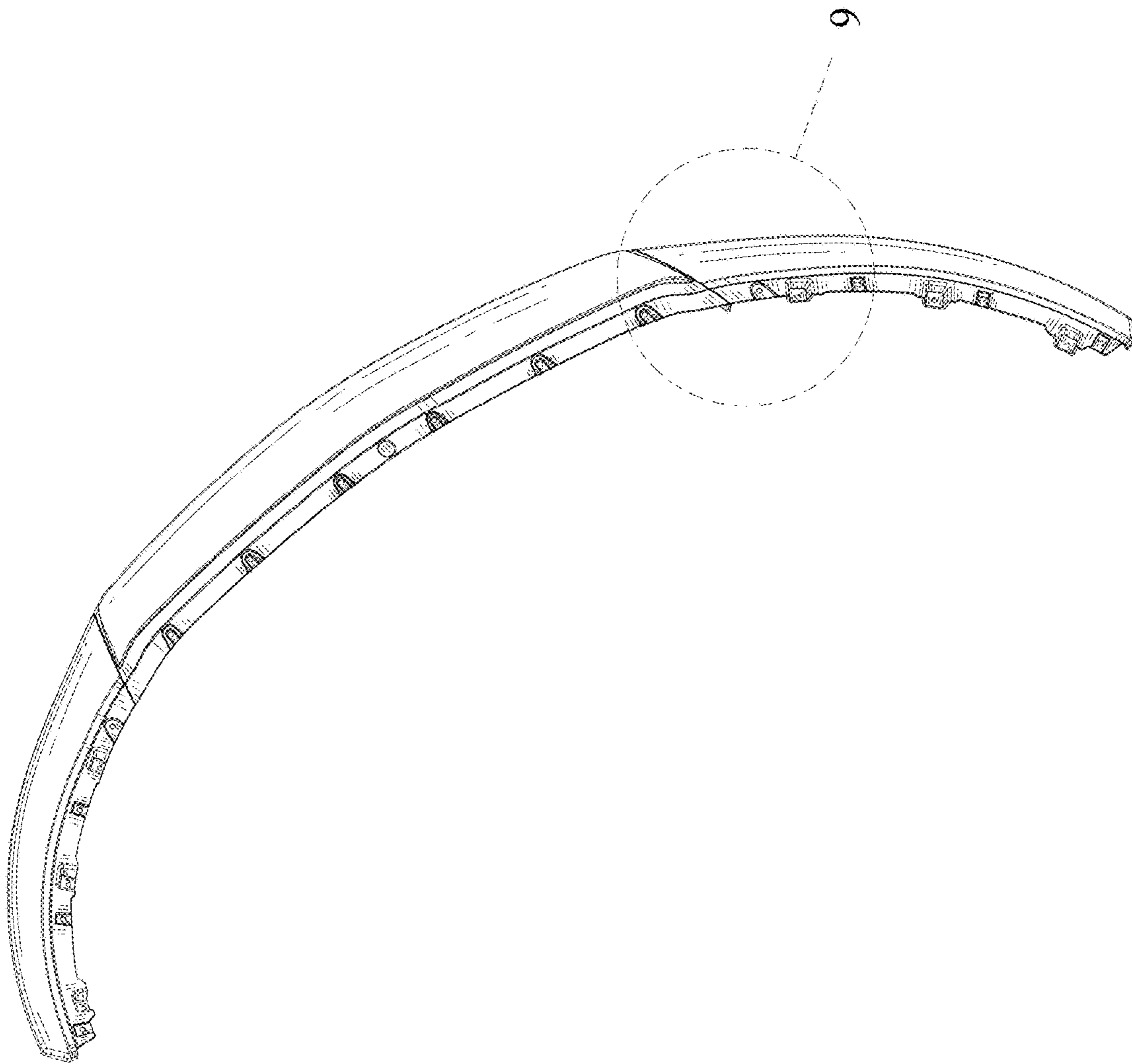


FIG. 1

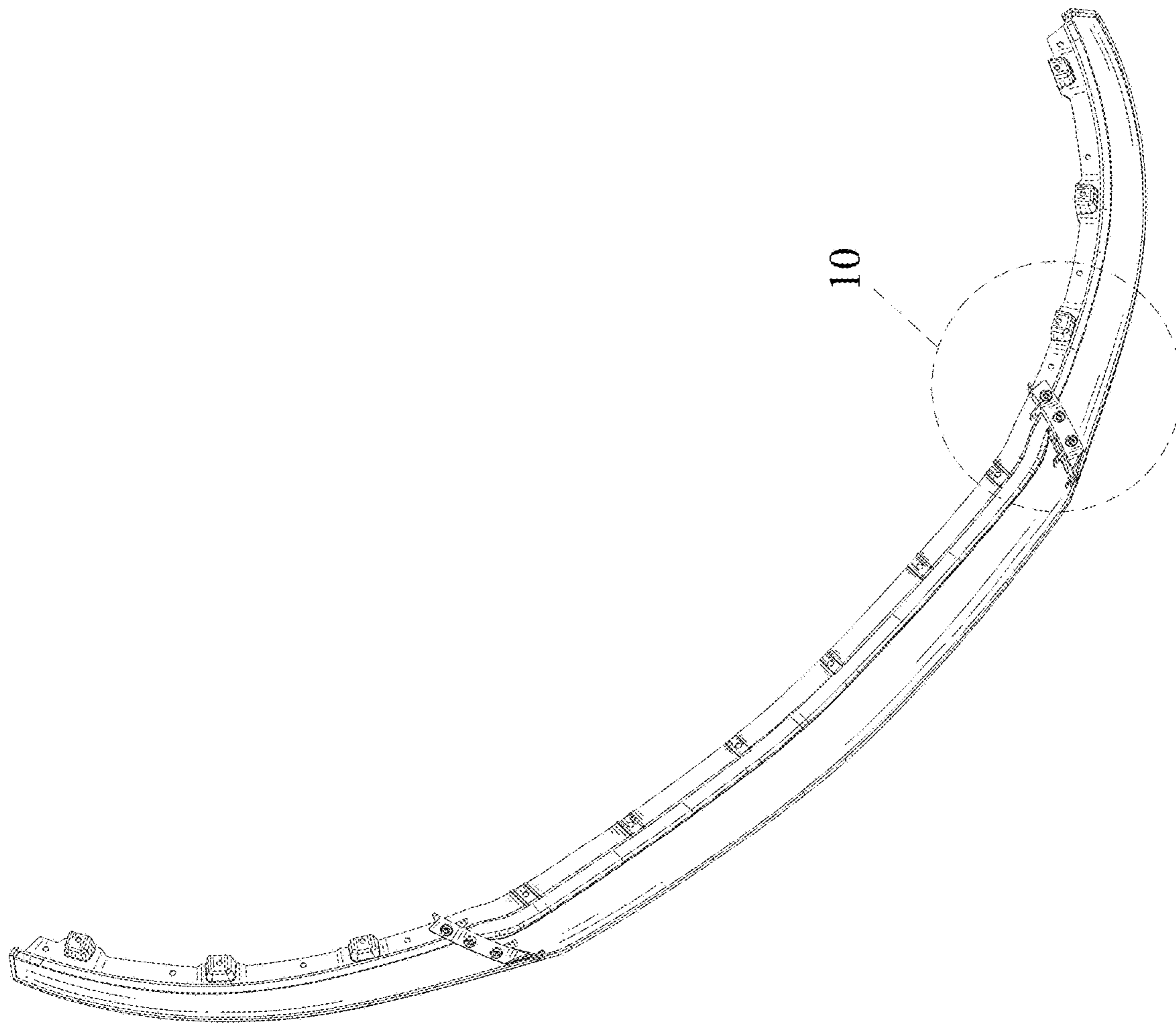


FIG. 2

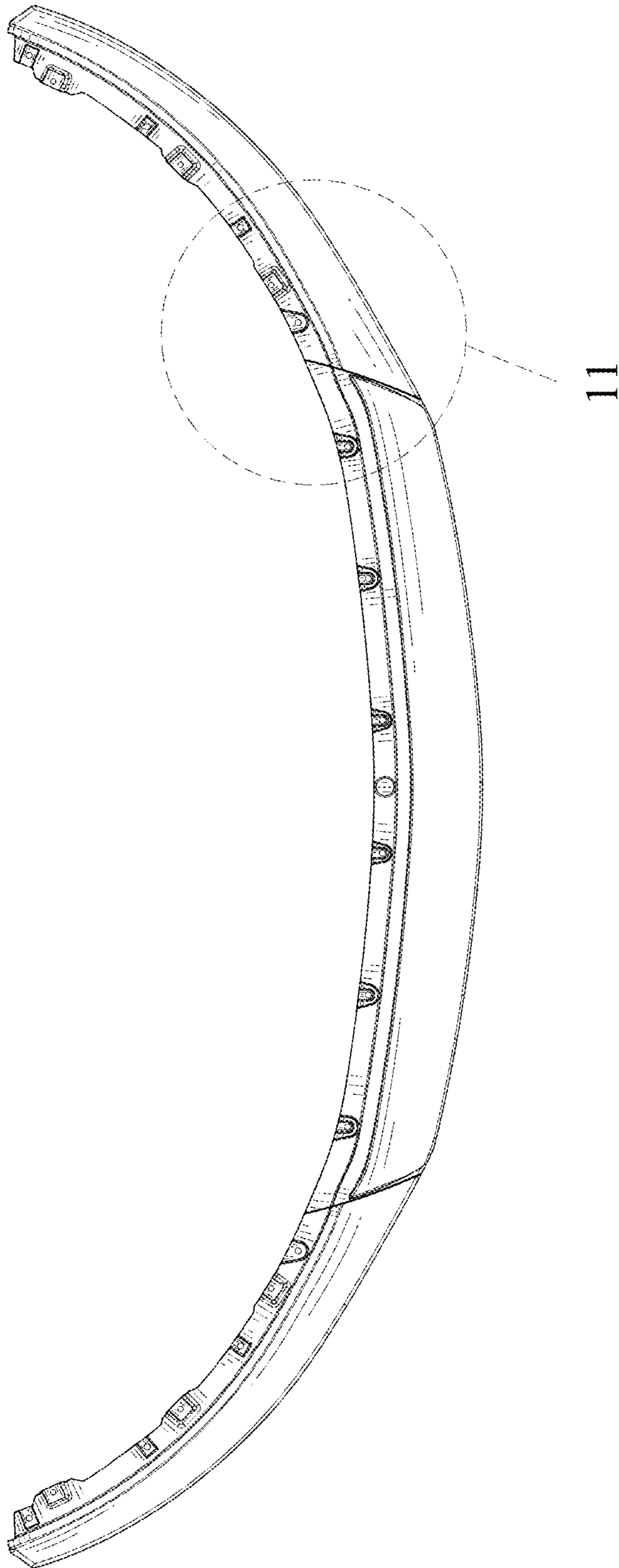


FIG. 3

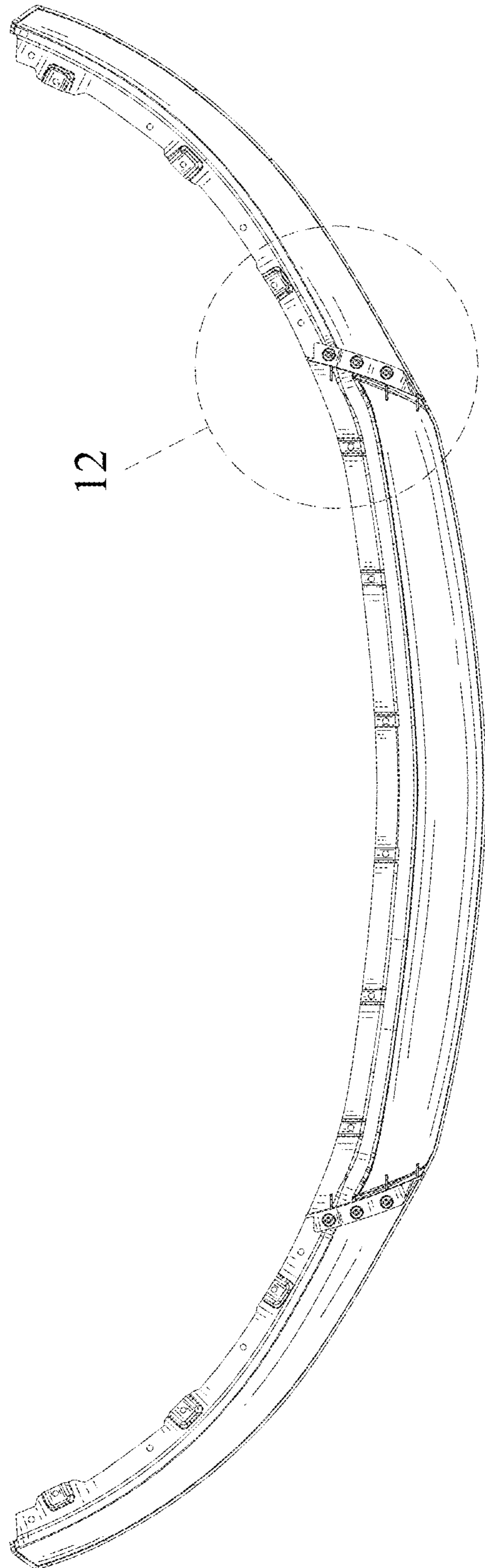


FIG. 4

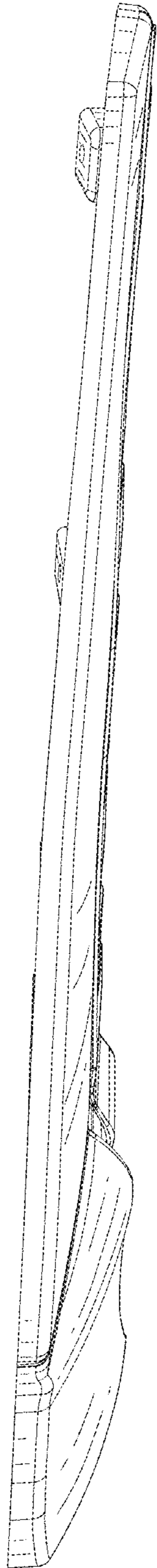


FIG. 5

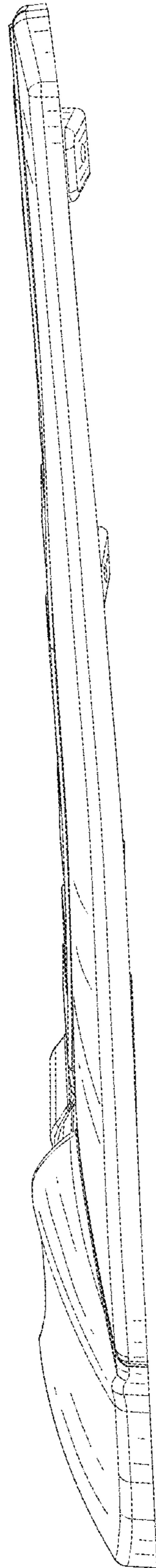


FIG. 6

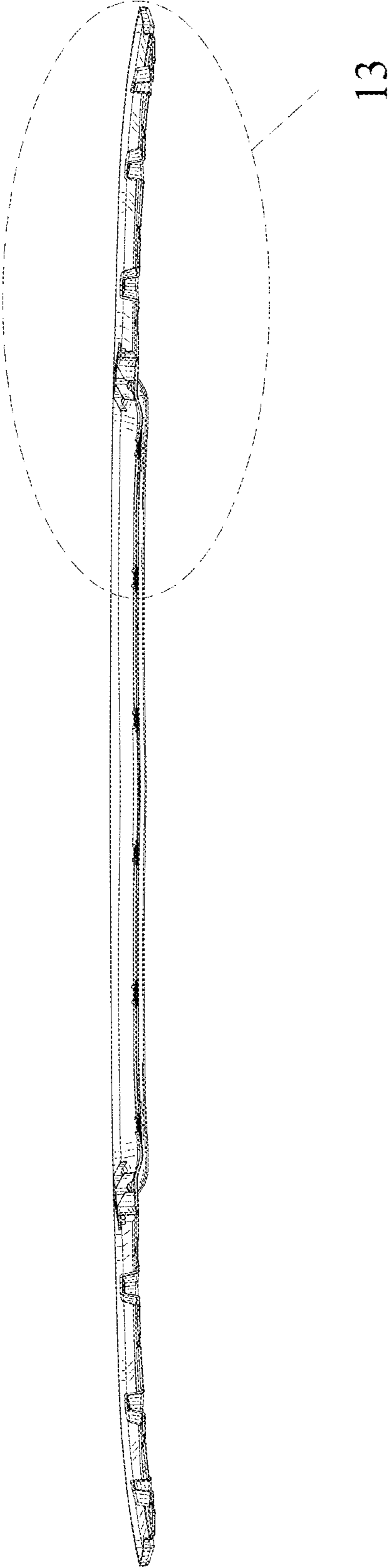


FIG. 7

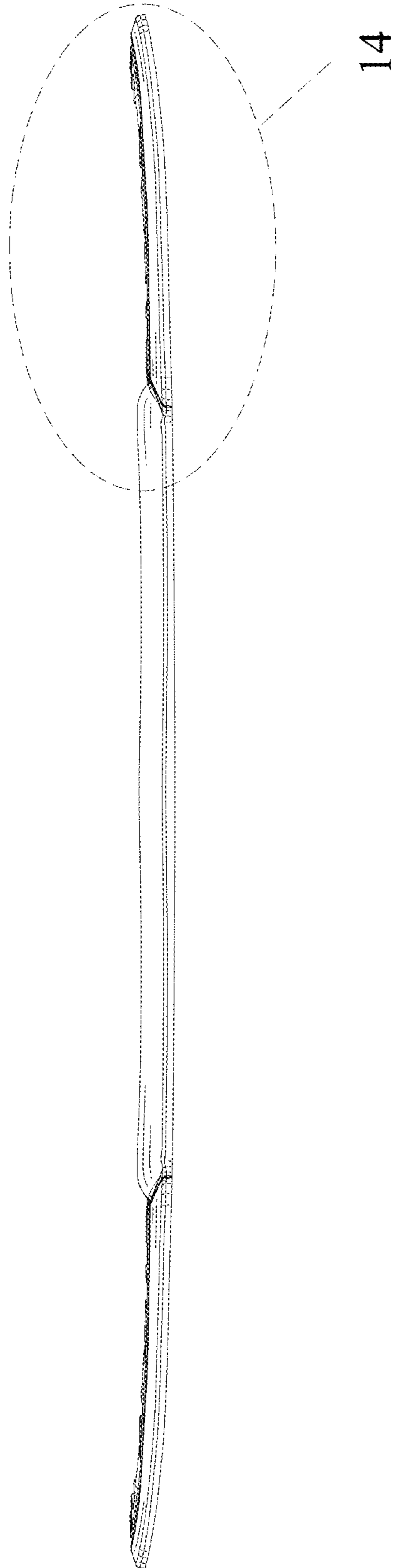


FIG. 8

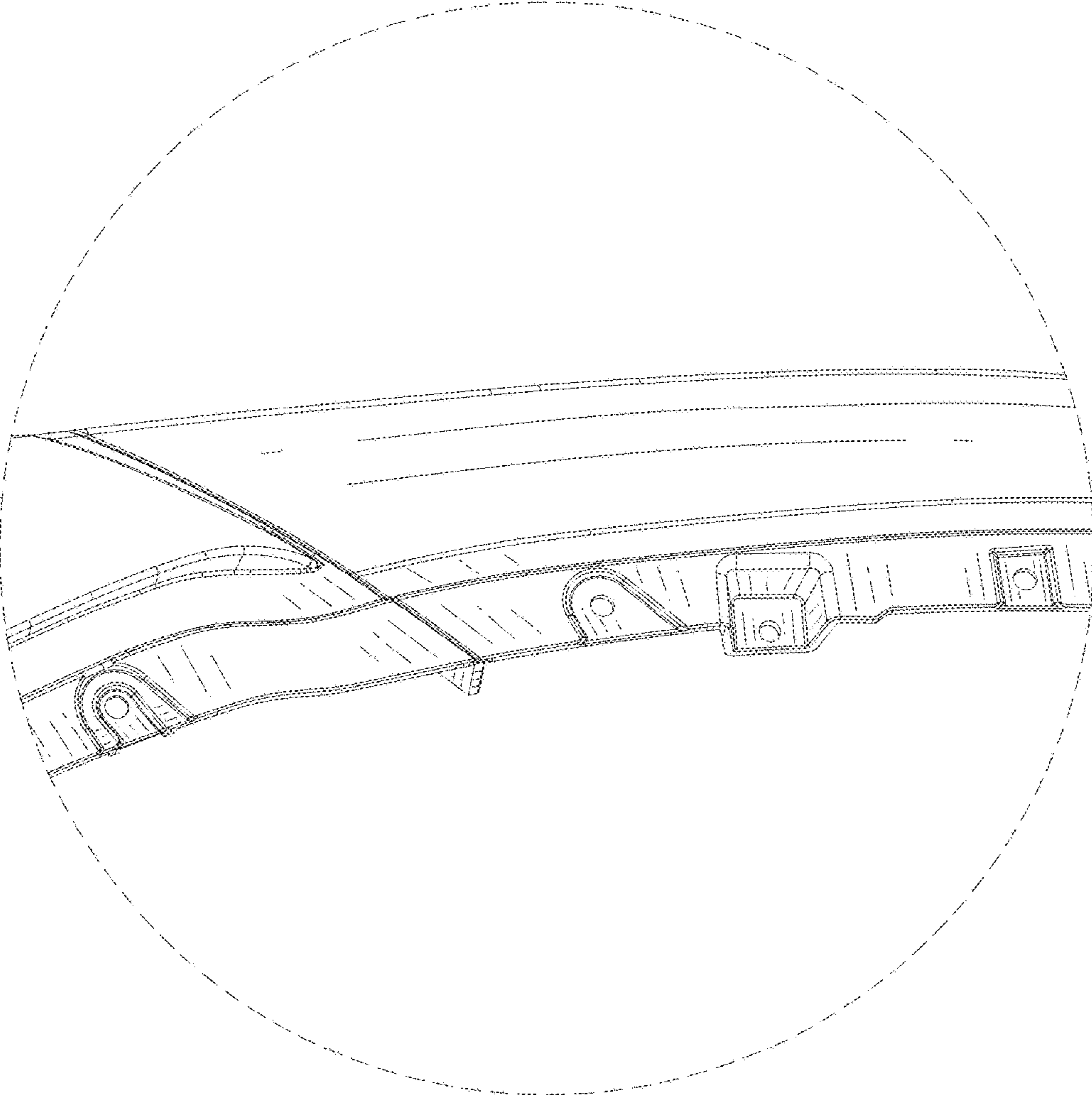


FIG. 9

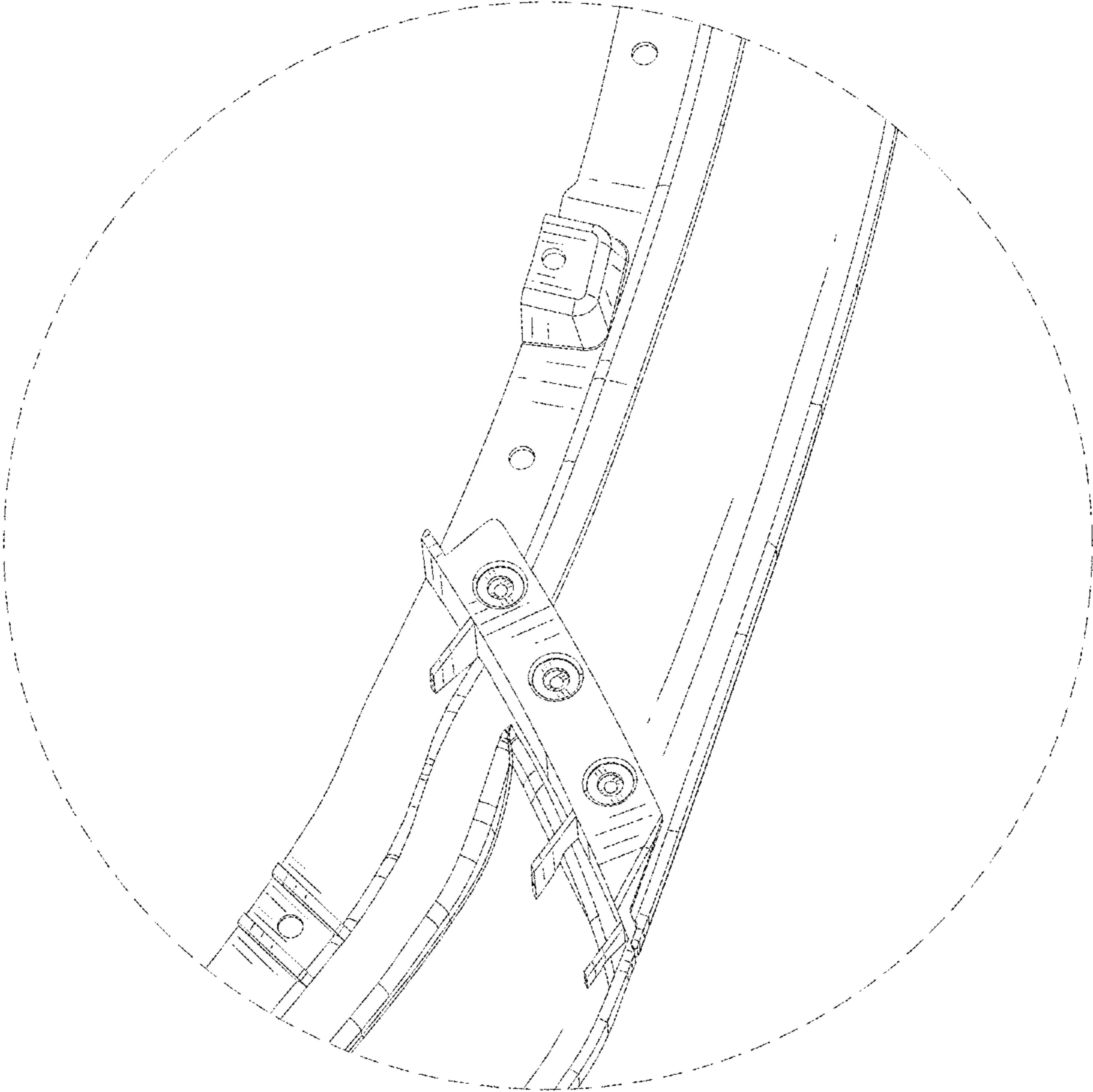


FIG. 10

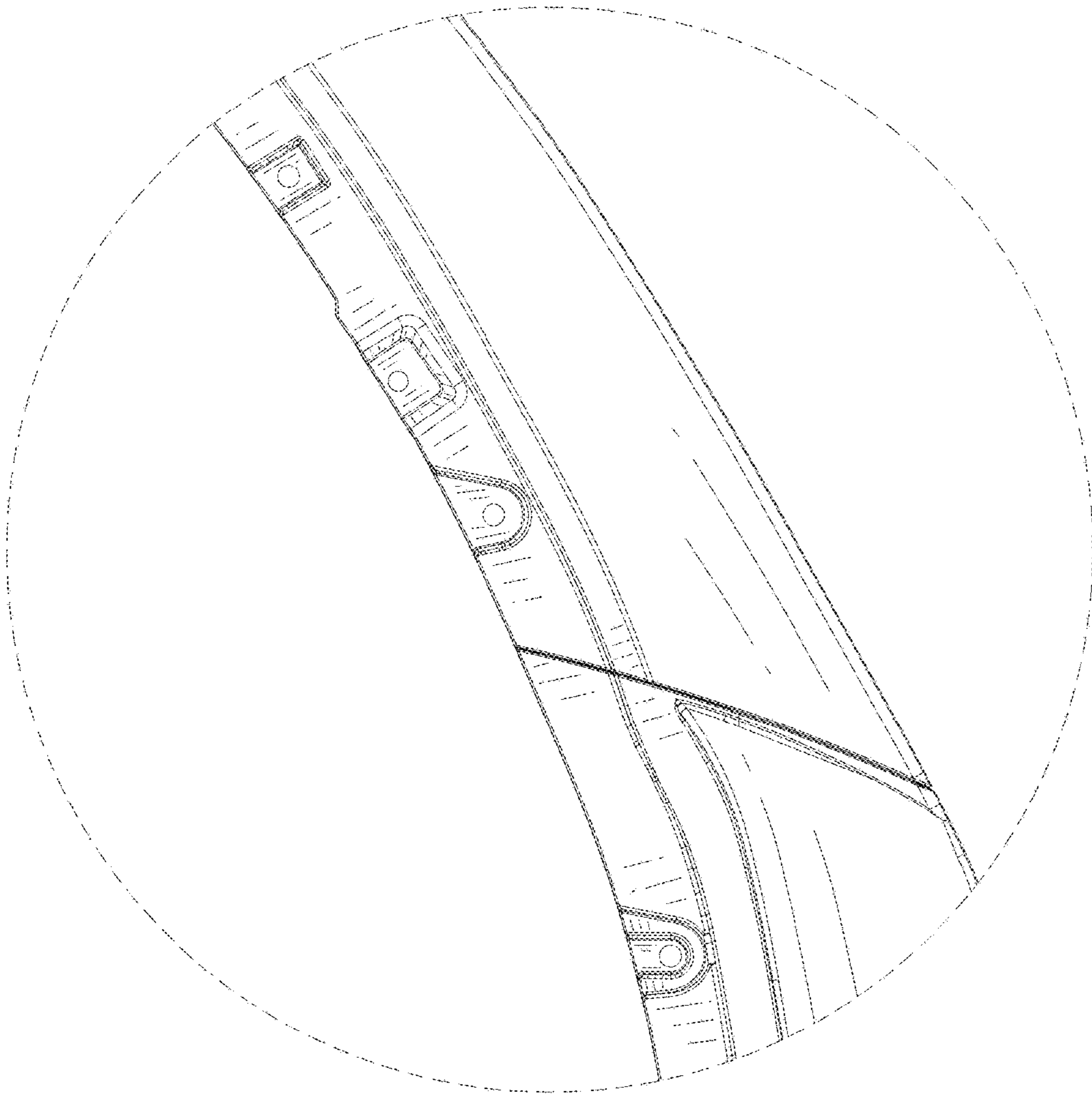


FIG. 11

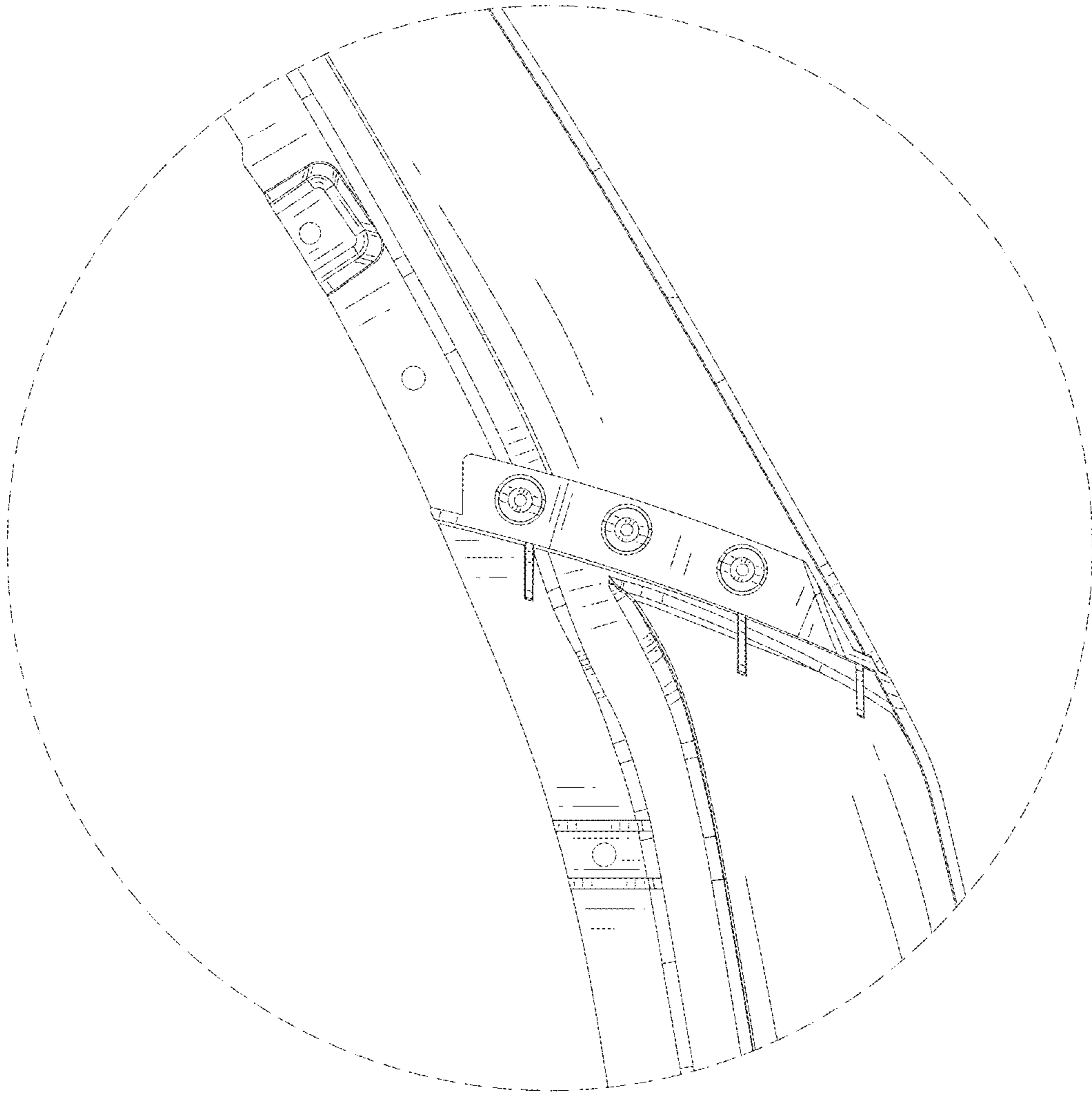


FIG. 12

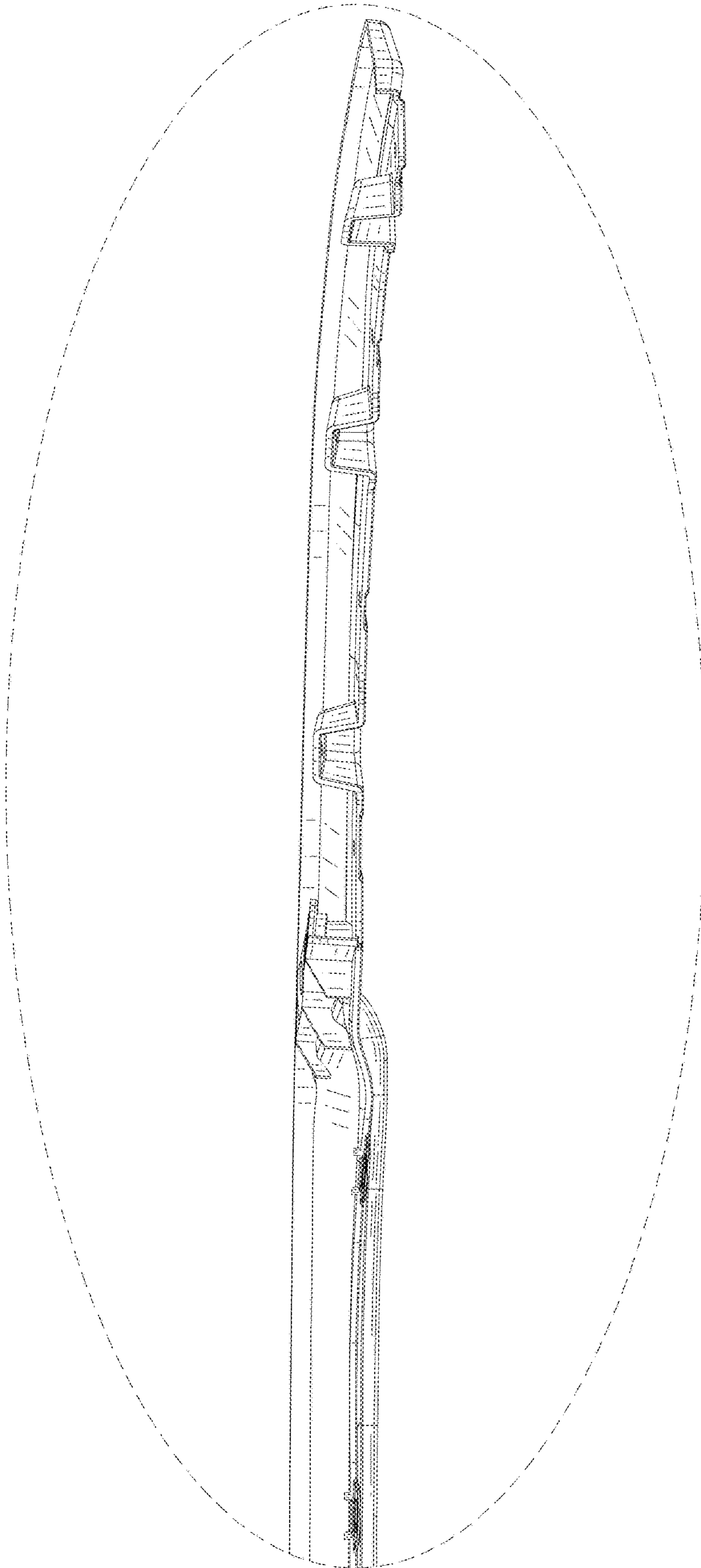


FIG. 13

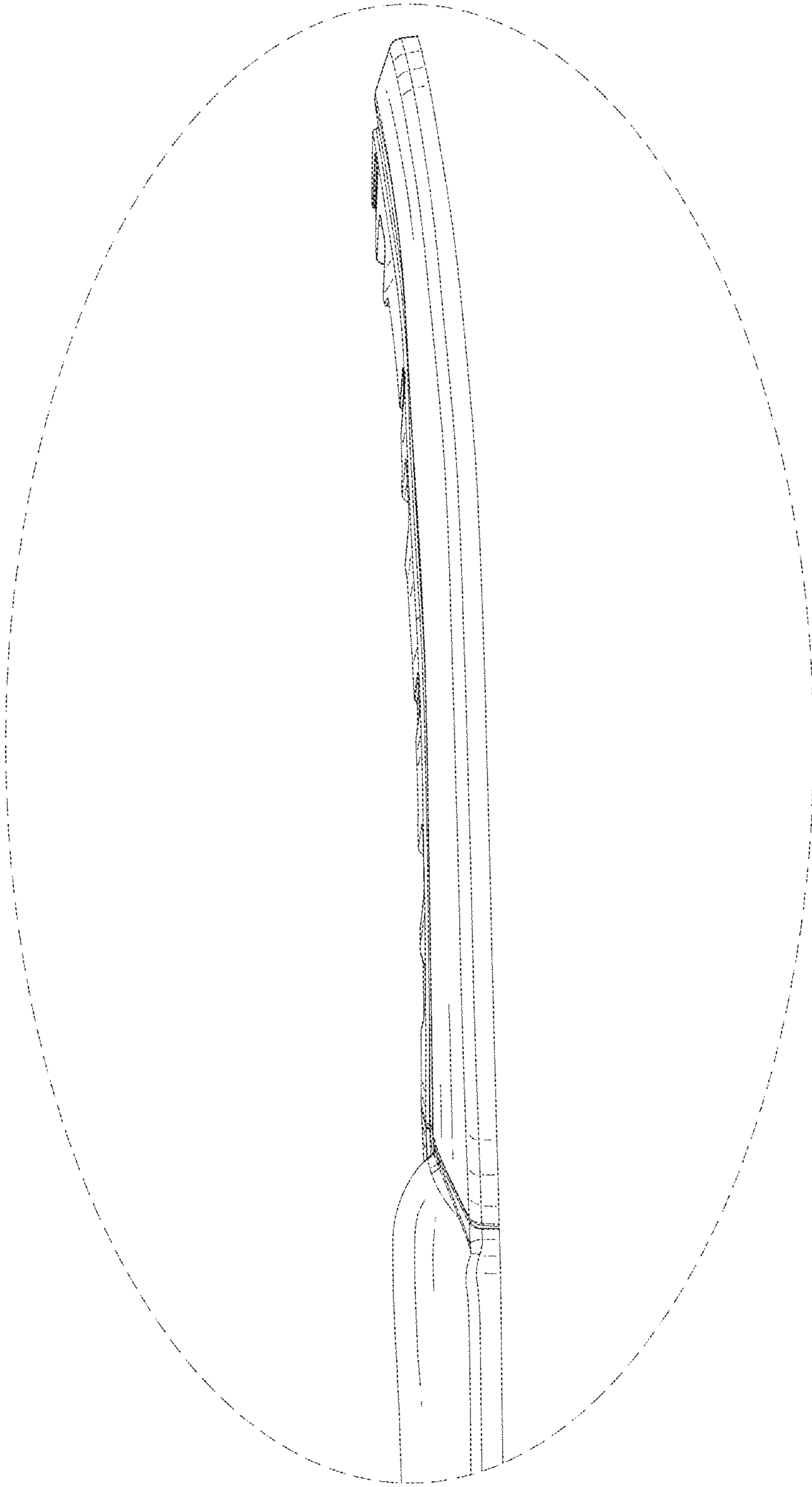


FIG. 14

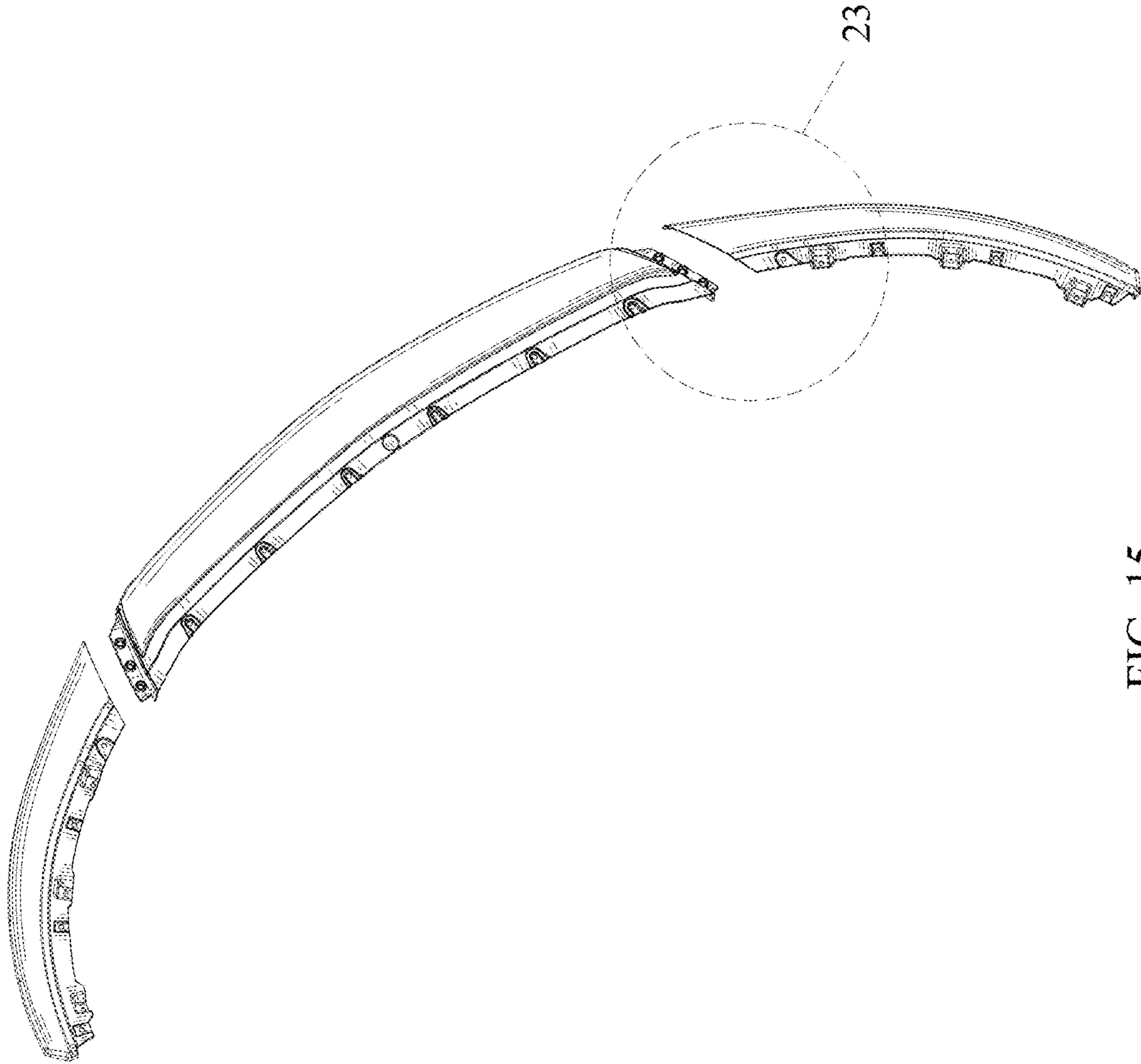


FIG. 15

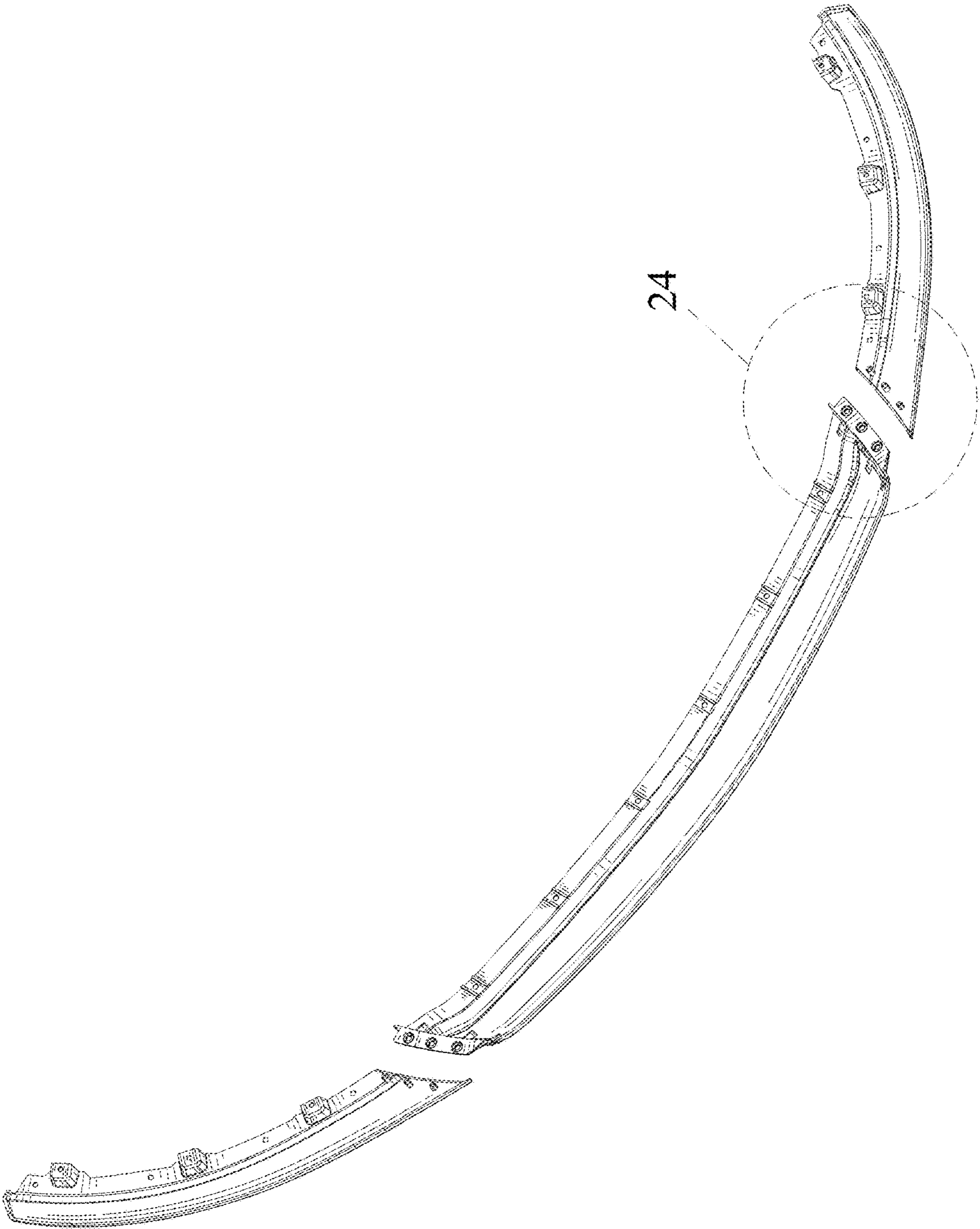


FIG. 16

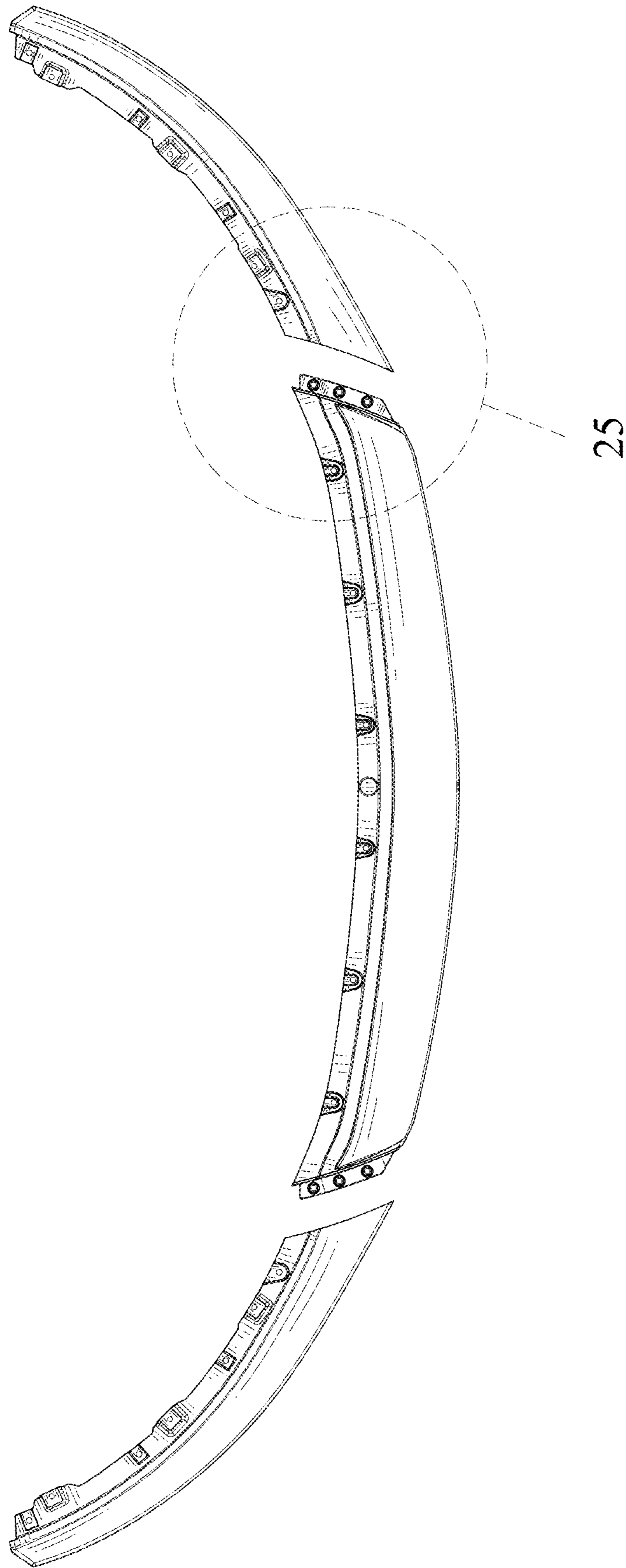


FIG. 17

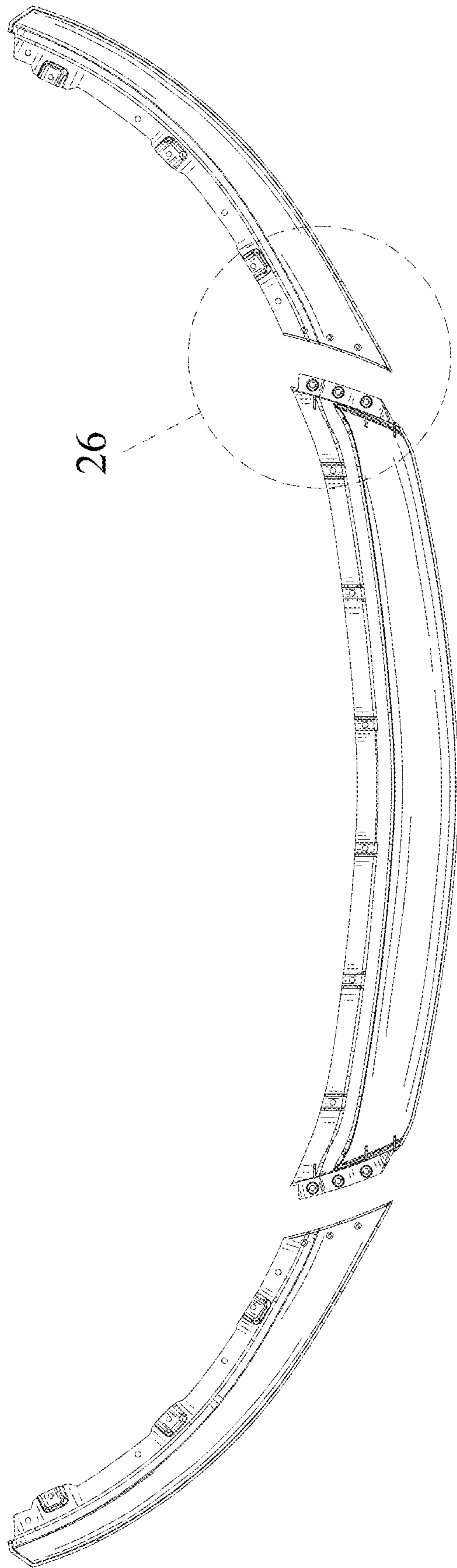


FIG. 18

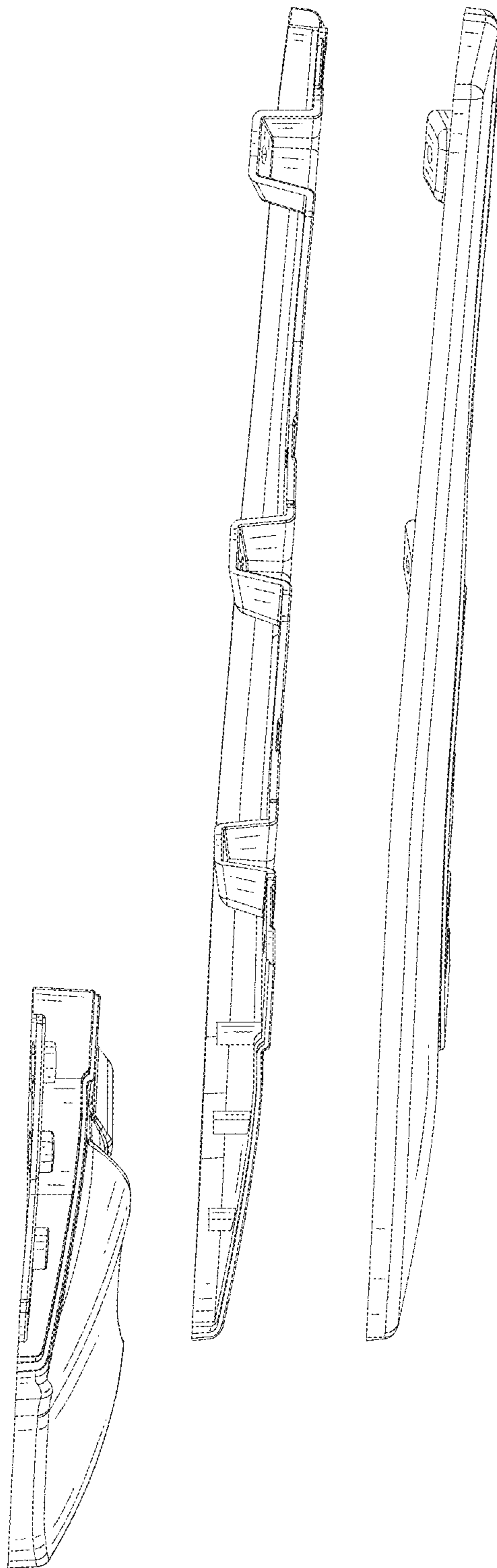


FIG. 19

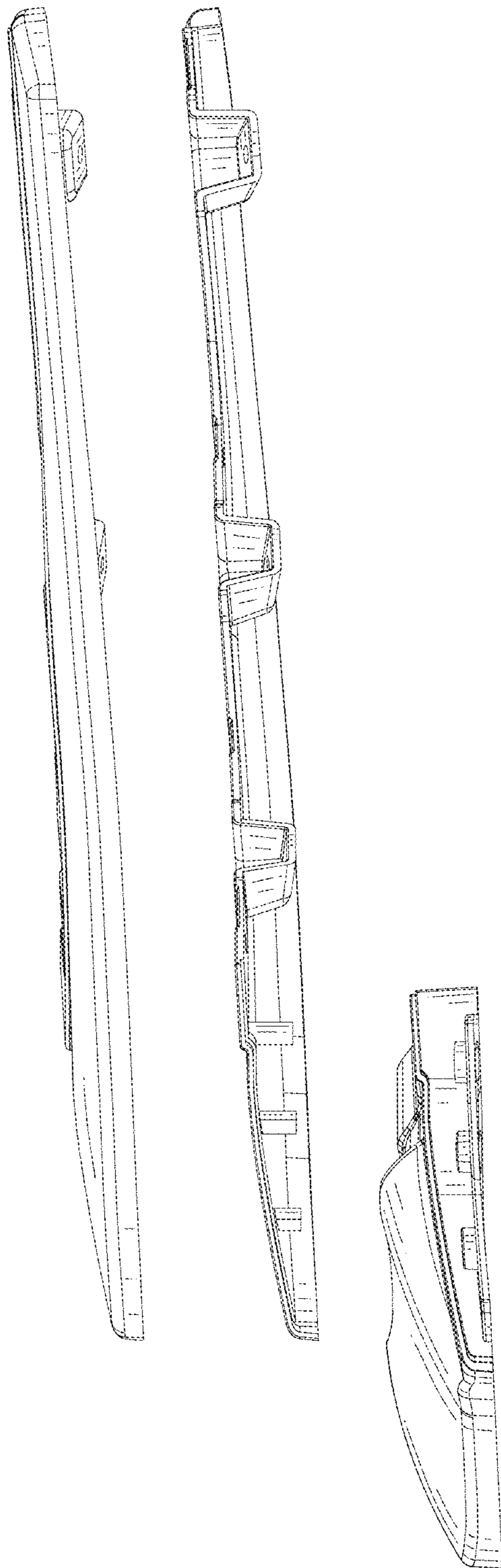


FIG. 20

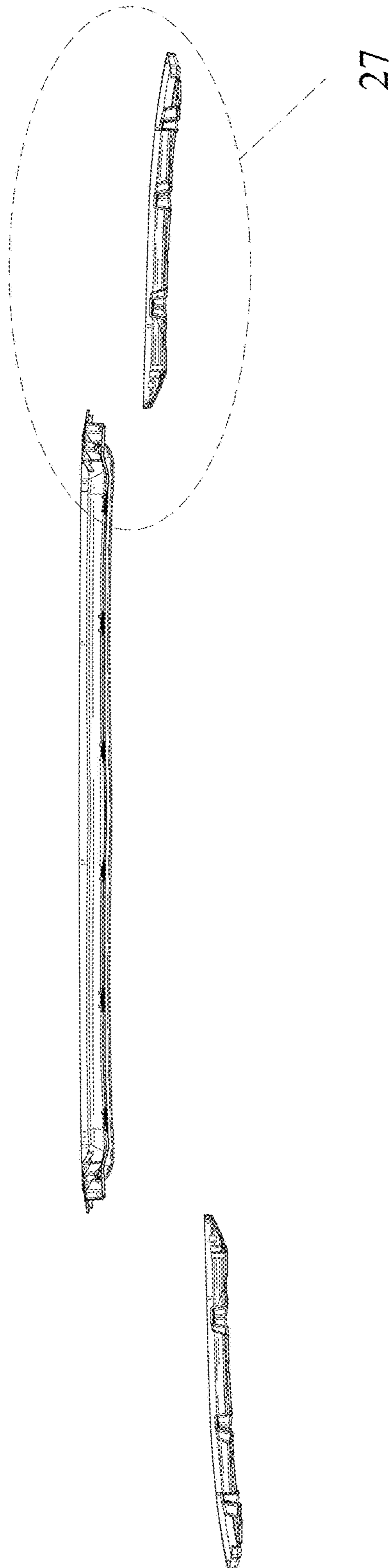


FIG. 21

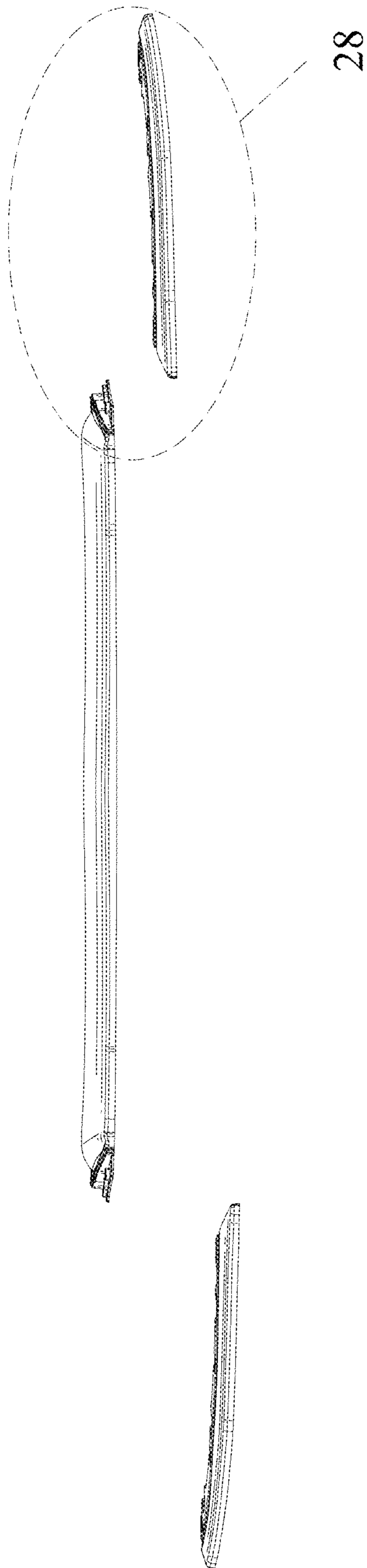


FIG. 22

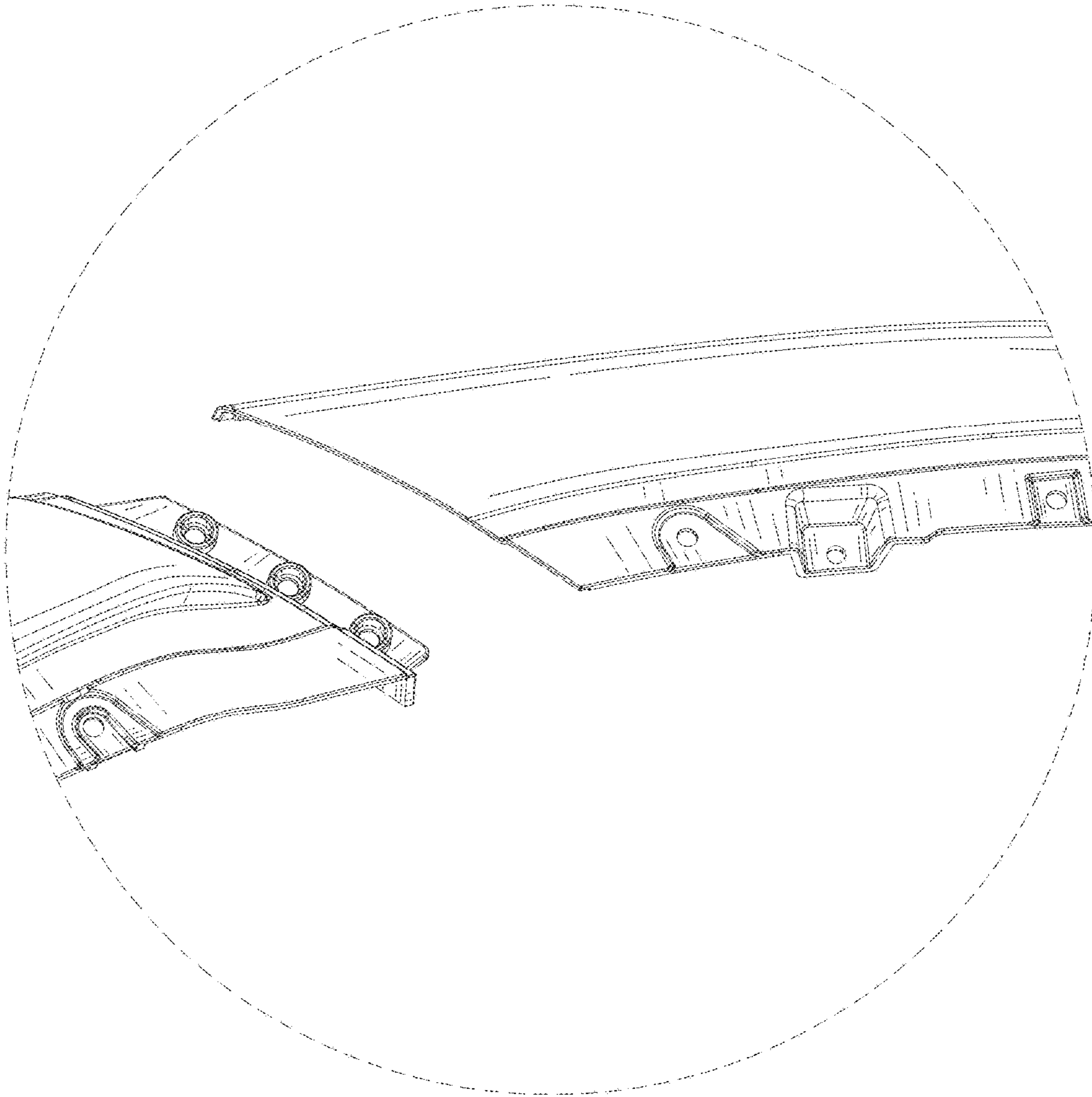


FIG. 23

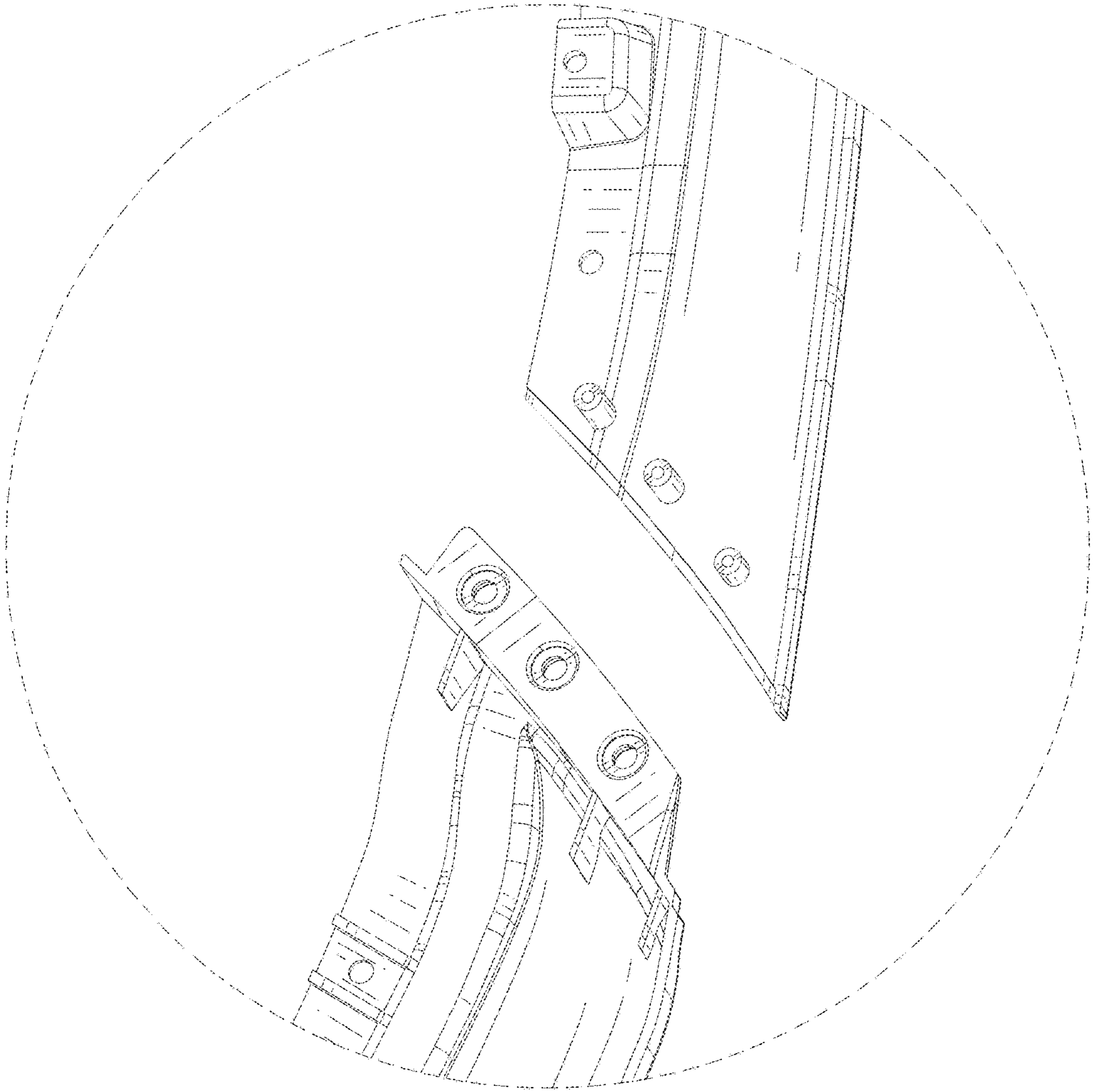


FIG. 24

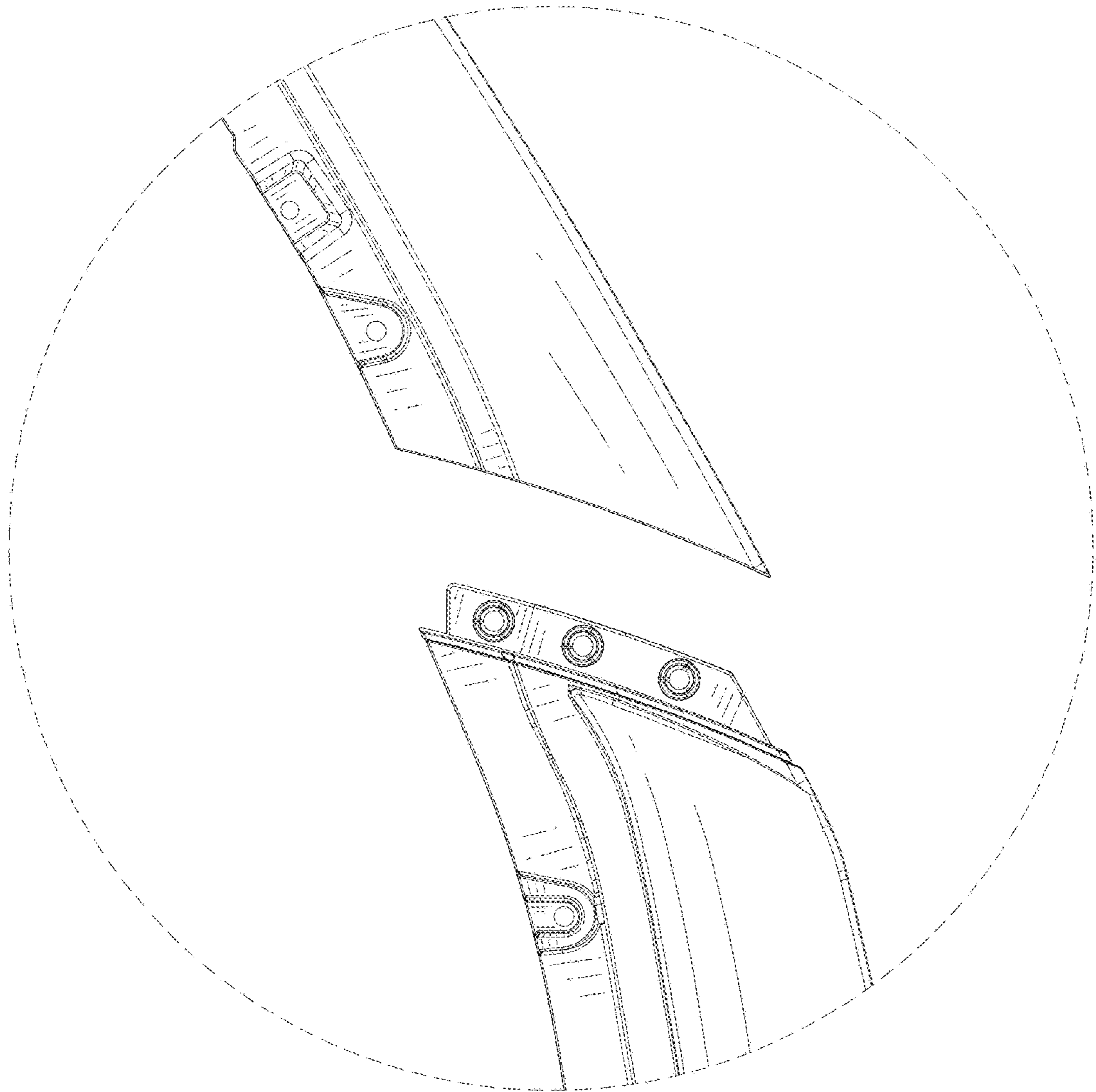


FIG. 25

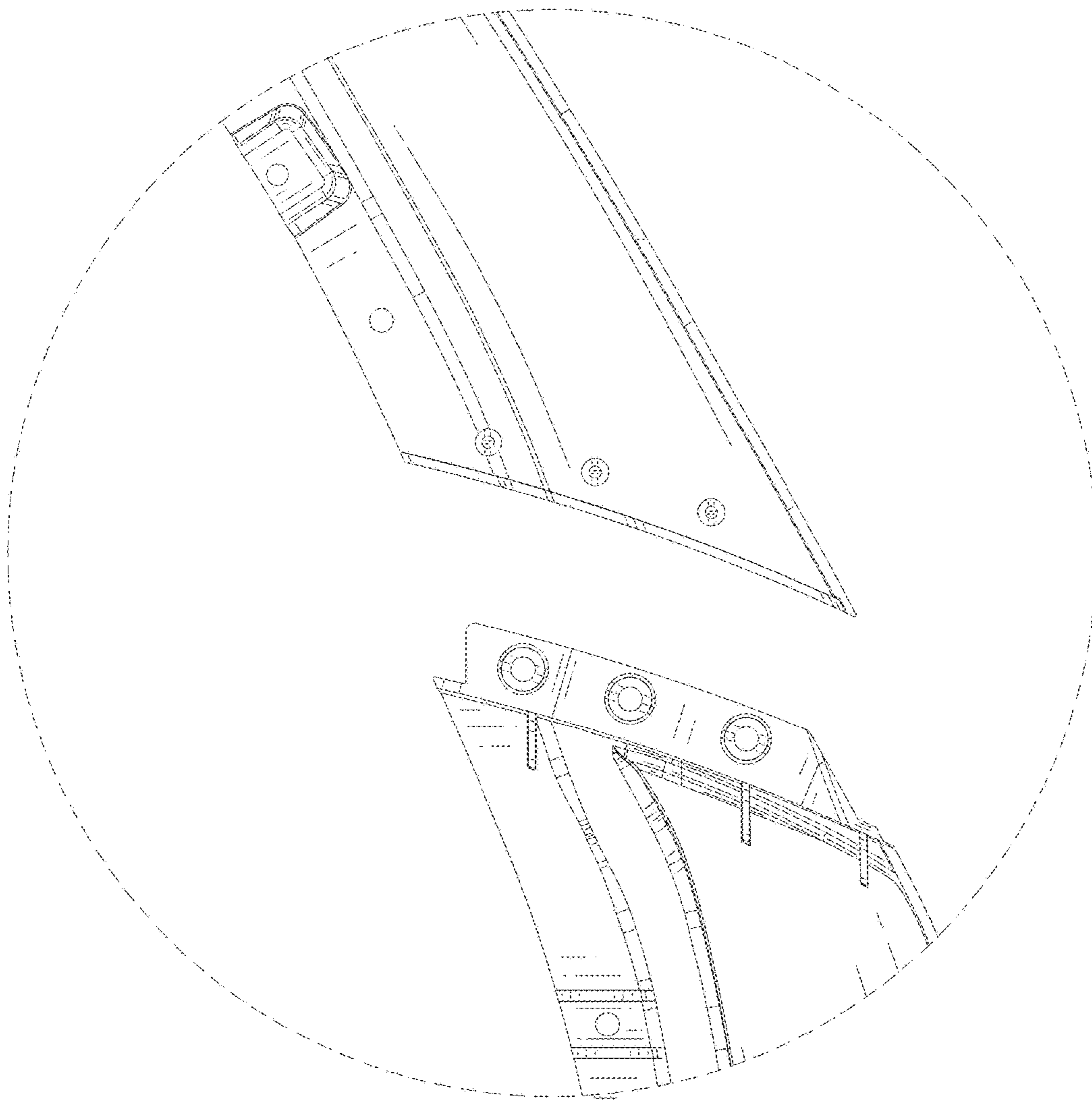


FIG. 26

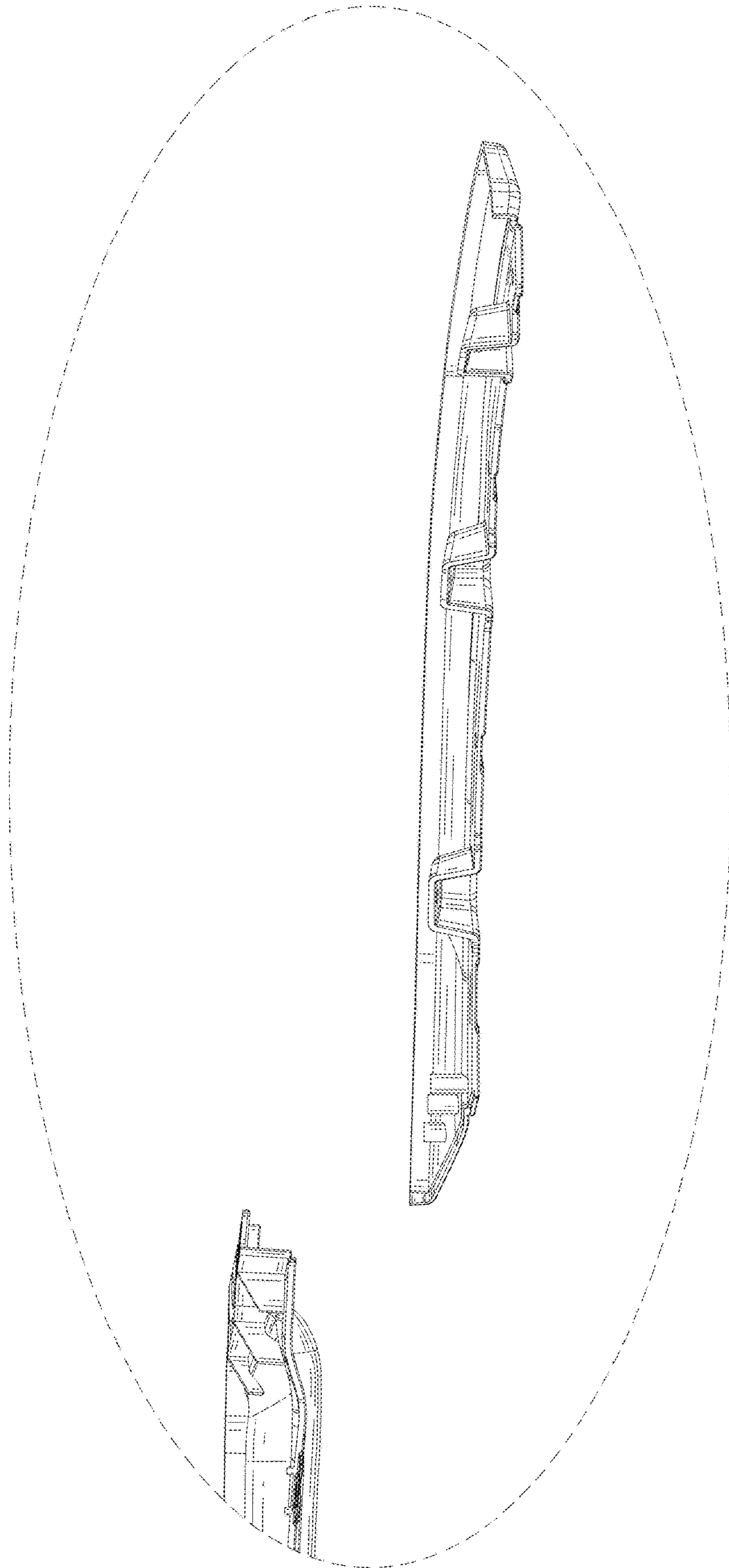


FIG. 27

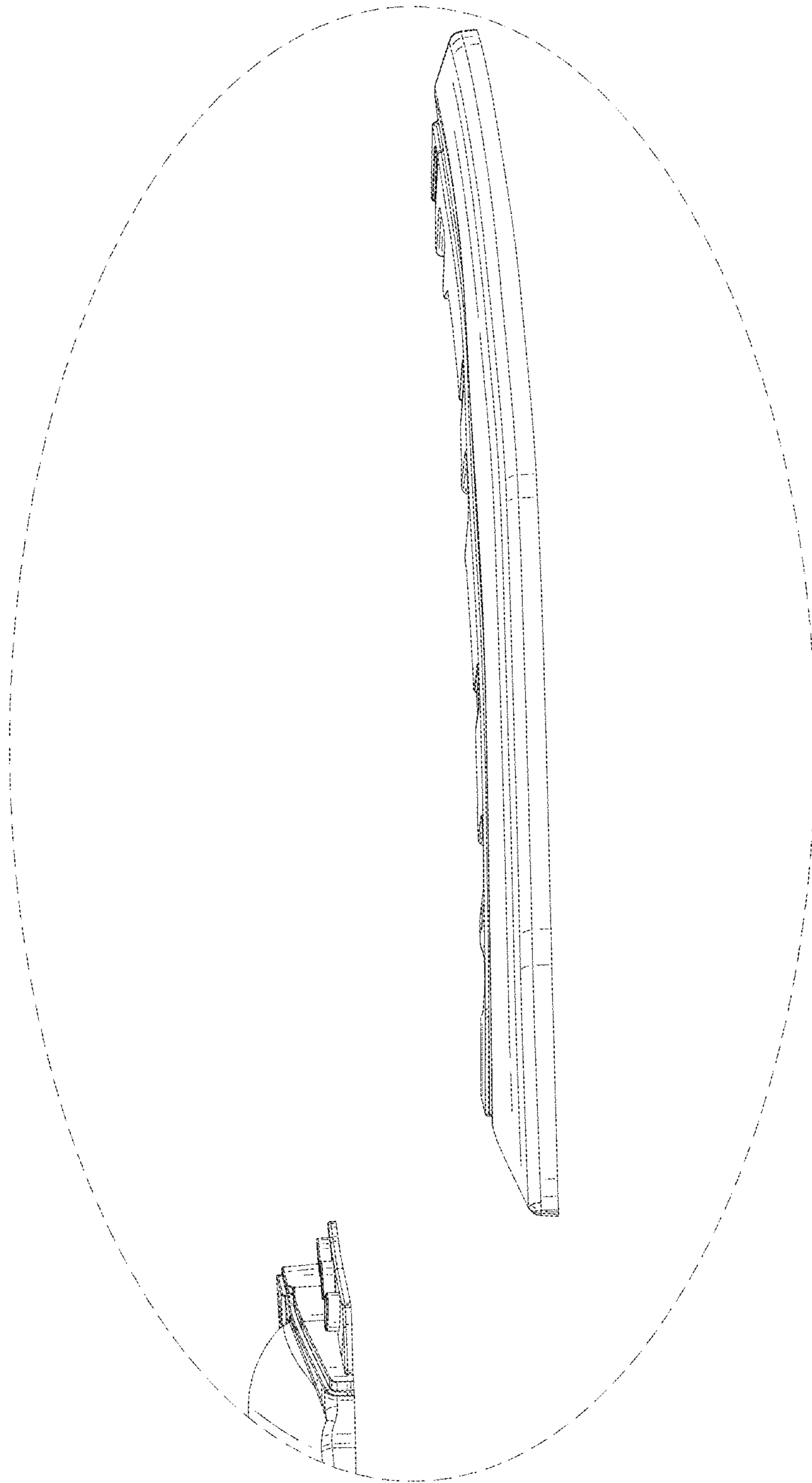


FIG. 28