



US00D949767S

(12) **United States Design Patent**  
**Kaoud et al.**

(10) **Patent No.:** **US D949,767 S**

(45) **Date of Patent:** **\*\* Apr. 26, 2022**

- (54) **VEHICLE INNER TAILGATE**
- (71) Applicant: **Ford Global Technologies, LLC**,  
Dearborn, MI (US)
- (72) Inventors: **Ehab N. Kaoud**, Livonia, MI (US);  
**William K. Moore**, West Bloomfield,  
MI (US); **David Root**, Wyandotte, MI  
(US)
- (73) Assignee: **Ford Global Technologies, LLC**,  
Dearborn, MI (US)
- (\*\*) Term: **15 Years**
- (21) Appl. No.: **29/723,977**
- (22) Filed: **Feb. 12, 2020**
- (51) **LOC (13) Cl.** ..... **12-06**
- (52) **U.S. Cl.**  
USPC ..... **D12/196**
- (58) **Field of Classification Search**  
USPC .... D12/86, 91, 93, 163, 164, 165, 166, 167,  
D12/169, 171, 172, 173, 190, 196, 216  
CPC ..... B60R 9/06; B60R 19/02; B60R 19/04;  
B60R 19/18; B60R 19/44; B60R 19/48;  
B62D 35/02; B62D 39/00; B62D 65/16;  
B62D 21/12; B29C 45/16  
See application file for complete search history.

D499,064 S *	11/2004	Hall	.....	D12/221
D701,816 S *	4/2014	Noon	.....	D12/221
D761,185 S *	7/2016	Coyle	.....	D12/221
D798,792 S *	10/2017	Coyle	.....	D12/221
D883,895 S *	5/2020	Kraenzel	.....	D12/221
D921,557 S *	6/2021	Milhoan	.....	D12/221

**OTHER PUBLICATIONS**

Vehicle Tailgates. (Design—© Questel) orbit.com. [Online PDF compilation of references] 39 pgs. Print Dates Range Jul. 16, 2020-Nov. 5, 2018 [Retrieved Dec. 14, 2021].\*

Beresford, Colin. "2021 Ford F-150's New Tailgate is Construction Site Ready." Jun. 26, 2020. Car and Driver. <https://www.caranddriver.com/news/a32959088/2021-ford-f-150-tailgate-specs-details/>.\*

Sergeev, Angel. "Ford Flexbed Trademark Could be for a GMC MultiPro Tailgate Revival." Feb. 23, 2021 Motor 1. <https://www.motor1.com/news/490015/ford-flexbed-trademark-rumors/>.\*

(Continued)

*Primary Examiner* — Manpreet S Matharu  
*Assistant Examiner* — Suzanne E Tisdell  
 (74) *Attorney, Agent, or Firm* — Michael Spenner

(57) **CLAIM**

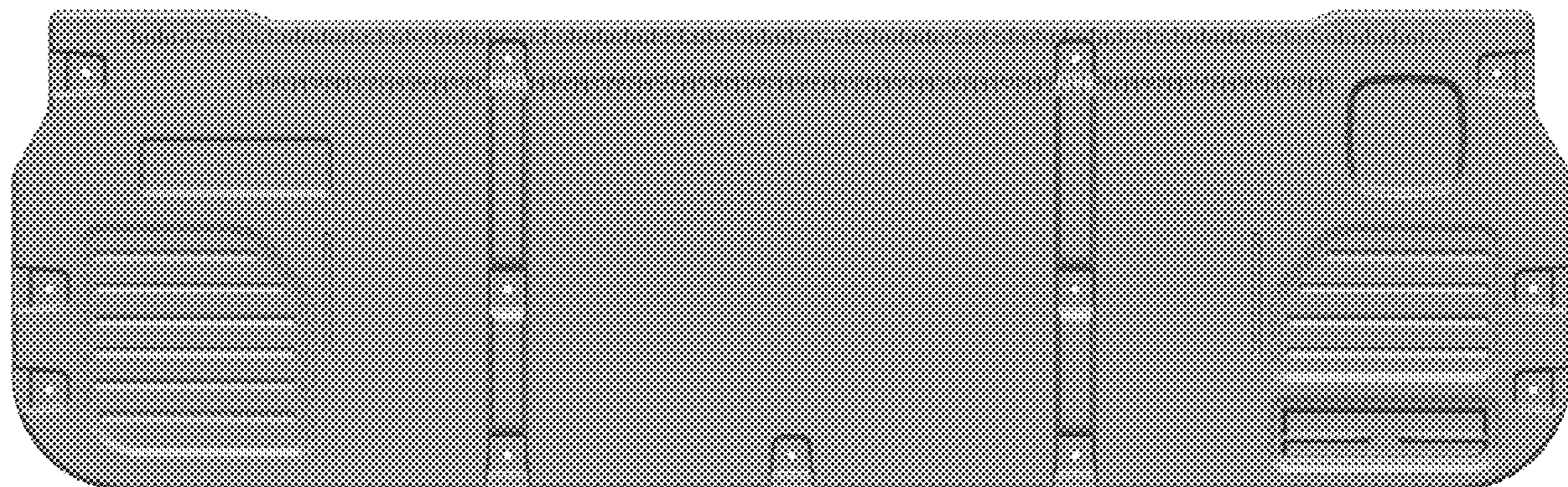
The ornamental design for a vehicle inner tailgate, as shown and described.

**DESCRIPTION**

FIG. 1 is a front elevational view of a vehicle inner tailgate, showing our new design;  
 FIG. 2 is a left side elevational view thereof;  
 FIG. 3 is a right side elevational view thereof;  
 FIG. 4 is a top plan view thereof;  
 FIG. 5 is a bottom plan view thereof;  
 FIG. 6 is a top, front and left side perspective view thereof;  
 and,  
 FIG. 7 is a bottom, front and left side perspective view thereof.

**1 Claim, 7 Drawing Sheets**

- (56) **References Cited**  
U.S. PATENT DOCUMENTS
- |              |         |                |       |         |
|--------------|---------|----------------|-------|---------|
| D259,928 S * | 7/1981  | Weis           | ..... | D12/221 |
| D289,513 S * | 4/1987  | Hankinson, Jr. | ..... | D12/221 |
| D296,885 S * | 7/1988  | Higgins        | ..... | D12/195 |
| D391,545 S * | 3/1998  | Arndt          | ..... | D12/221 |
| D441,340 S * | 5/2001  | Whiteford      | ..... | D12/221 |
| D479,499 S * | 9/2003  | Cameron        | ..... | D12/196 |
| D498,200 S * | 11/2004 | Hall           | ..... | D12/221 |



(56)

**References Cited**

OTHER PUBLICATIONS

Santos, Joe. "5 Fantastic Features on the 2021 Ford F-150." Jun. 26, 2020. Motor Biscuit. <https://www.motorbiscuit.com/5-fantastic-features-on-the-2021-ford-f-150/>.\*

Andrew Wendler, The 2021 Ford F-150, Spied Testing, Looks Pretty Evolutionary, May 8, 2019 <https://www.caranddriver.com/news/a27409108/2021-ford-f-150-pickup-spied/>.

\* cited by examiner



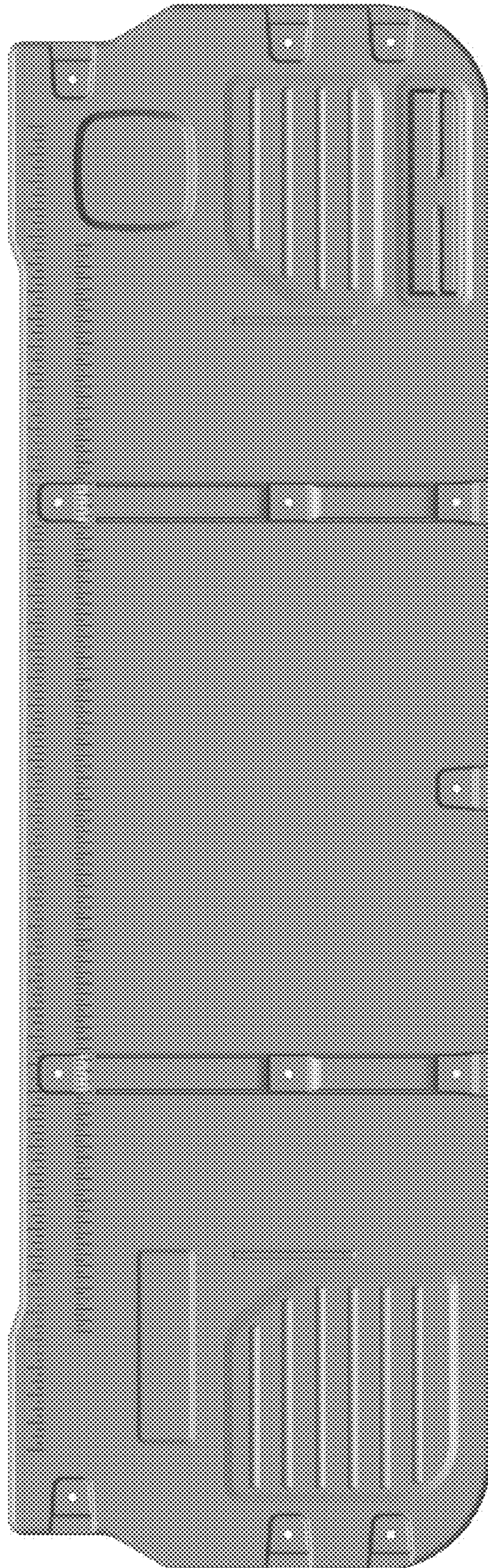


Fig.1





Fig. 2



Fig. 3



Fig.4



Fig. 5

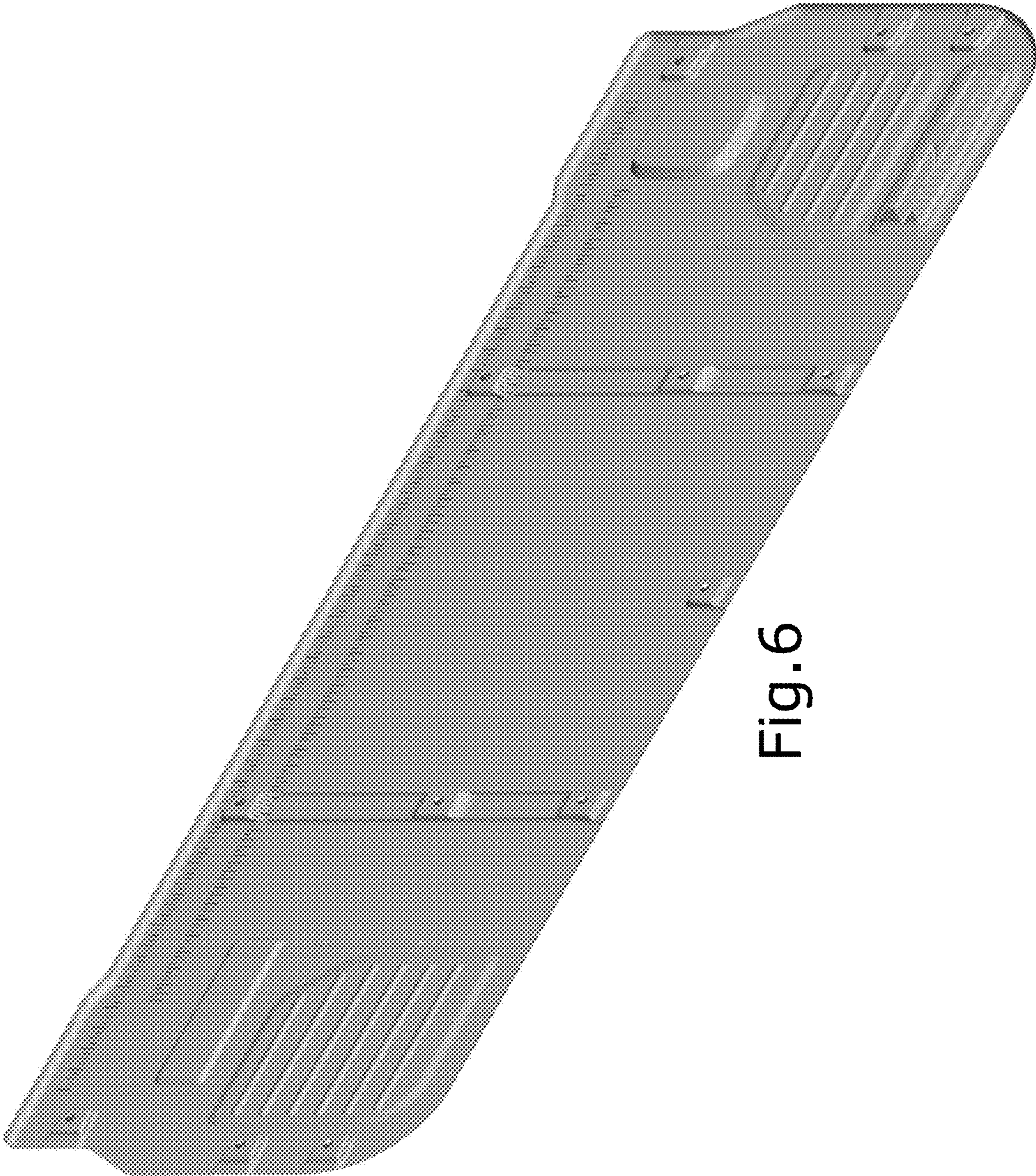


Fig. 6



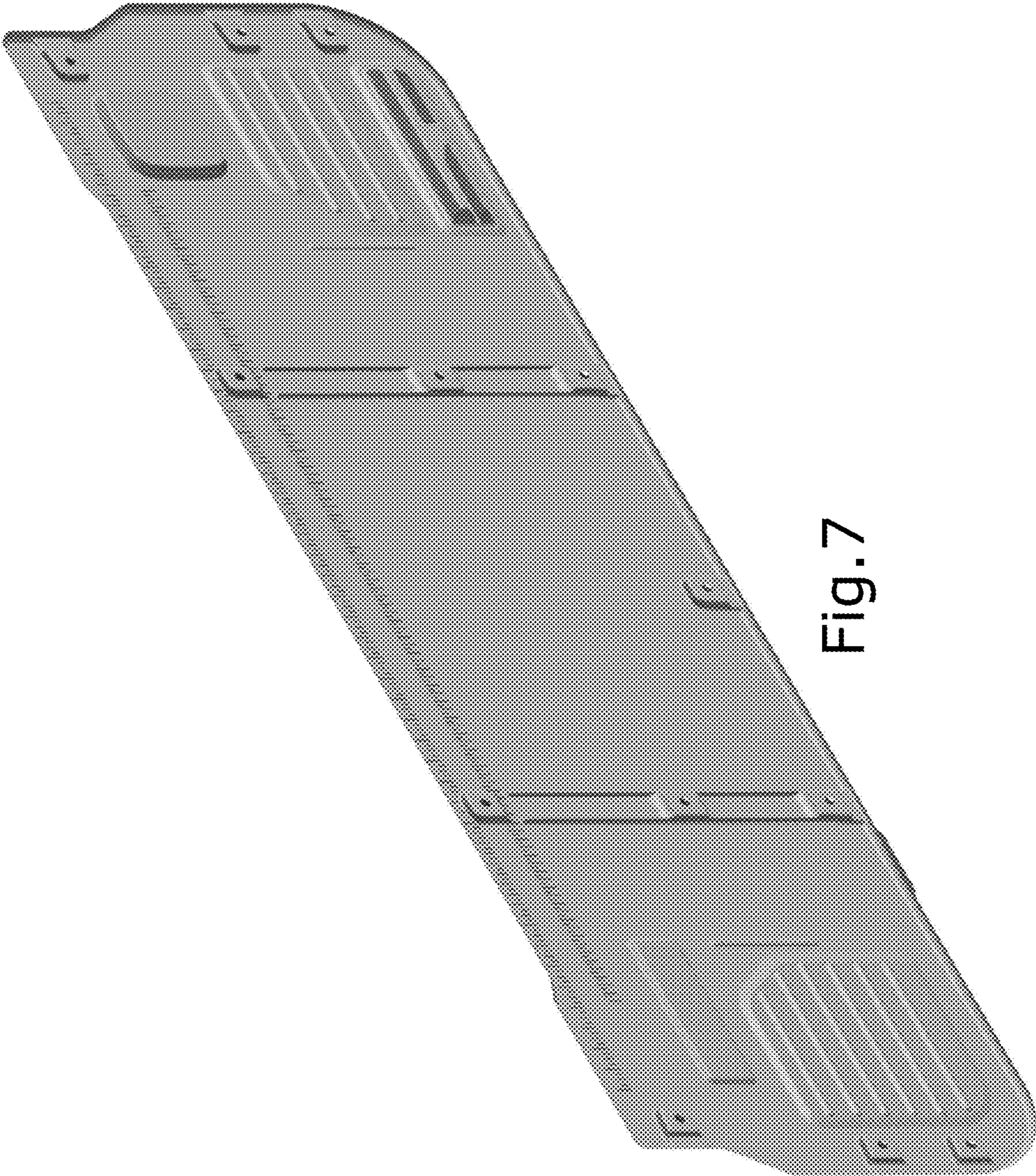


Fig. 7