



US00D949766S

(12) **United States Design Patent** (10) **Patent No.:** **US D949,766 S**  
**Kim et al.** (45) **Date of Patent:** **\*\* Apr. 26, 2022**

(54) **INTERIOR FOR VEHICLES**

(56) **References Cited**

(71) Applicants: **LG ELECTRONICS INC.**, Seoul (KR); **HYUNDAI MOTOR COMPANY**, Seoul (KR); **KIA MOTORS CORPORATION**, Seoul (KR)

U.S. PATENT DOCUMENTS

D83,720	S	*	3/1931	Cleaveland	.....	D6/356
D281,940	S	*	12/1985	Steventon	.....	D12/195
D426,512	S	*	6/2000	Ciuba	.....	D12/425
6,109,679	A	*	8/2000	Futschik	.....	B60K 37/02 296/70
6,386,412	B1	*	5/2002	Konechne	.....	B60R 7/04 224/275
6,422,440	B1	*	7/2002	Stone	.....	B60R 7/043 224/275
D465,344	S	*	11/2002	Siegert	.....	D6/356
D486,121	S	*	2/2004	Bergh	.....	D12/425
D491,880	S	*	6/2004	Guidry	.....	D12/425
D496,534	S	*	9/2004	Pfeiffer	.....	D6/356
D524,211	S	*	7/2006	Tsuchiya	.....	D12/195
D539,036	S	*	3/2007	Potts	.....	D12/425
D542,041	S	*	5/2007	Moburg	.....	D6/356
D577,644	S	*	9/2008	Wyszogrod	.....	D12/192
D611,401	S	*	3/2010	Saint-Jaimes	.....	D12/425
D630,159	S	*	1/2011	Saint-Jaimes	.....	D12/425
D632,237	S	*	2/2011	Green	.....	D12/195

(72) Inventors: **Dongeun Kim**, Seoul (KR); **Seungil Lee**, Seoul (KR); **Hophil Lee**, Seoul (KR)

(73) Assignees: **LG ELECTRONICS INC.**, Seoul (KR); **HYUNDAI MOTOR COMPANY**, Seoul (KR); **KIA MOTORS CORPORATION**, Seoul (KR)

(\*\*) **Term:** **15 Years**

(21) **Appl. No.:** **35/510,291**

(22) **Filed:** **Aug. 18, 2020**

(80) **Hague Agreement Data**

Int. Filing Date: **Aug. 18, 2020**  
Int. Reg. No.: **DM/210115**  
Int. Reg. Date: **Aug. 18, 2020**  
Int. Reg. Pub. Date: **Sep. 11, 2020**

(30) **Foreign Application Priority Data**

Feb. 24, 2020 (KR) ..... 30-2020-0008144

(51) **LOC (13) Cl.** ..... **12-08**

(52) **U.S. Cl.**  
USPC ..... **D12/195**  
CPC ..... **B62D 25/00 (2013.01)**

(58) **Field of Classification Search**  
USPC ..... D12/190-196, 414; D10/46, 98,  
D10/102-103; D8/302-303; D15/17, 28  
CPC ..... B62D 25/00; B62D 31/00; B62D 39/00  
See application file for complete search history.

(Continued)

*Primary Examiner* — Richard E Chilcot  
(74) *Attorney, Agent, or Firm* — Birch, Stewart, Kolasch & Birch, LLP

(57) **CLAIM**

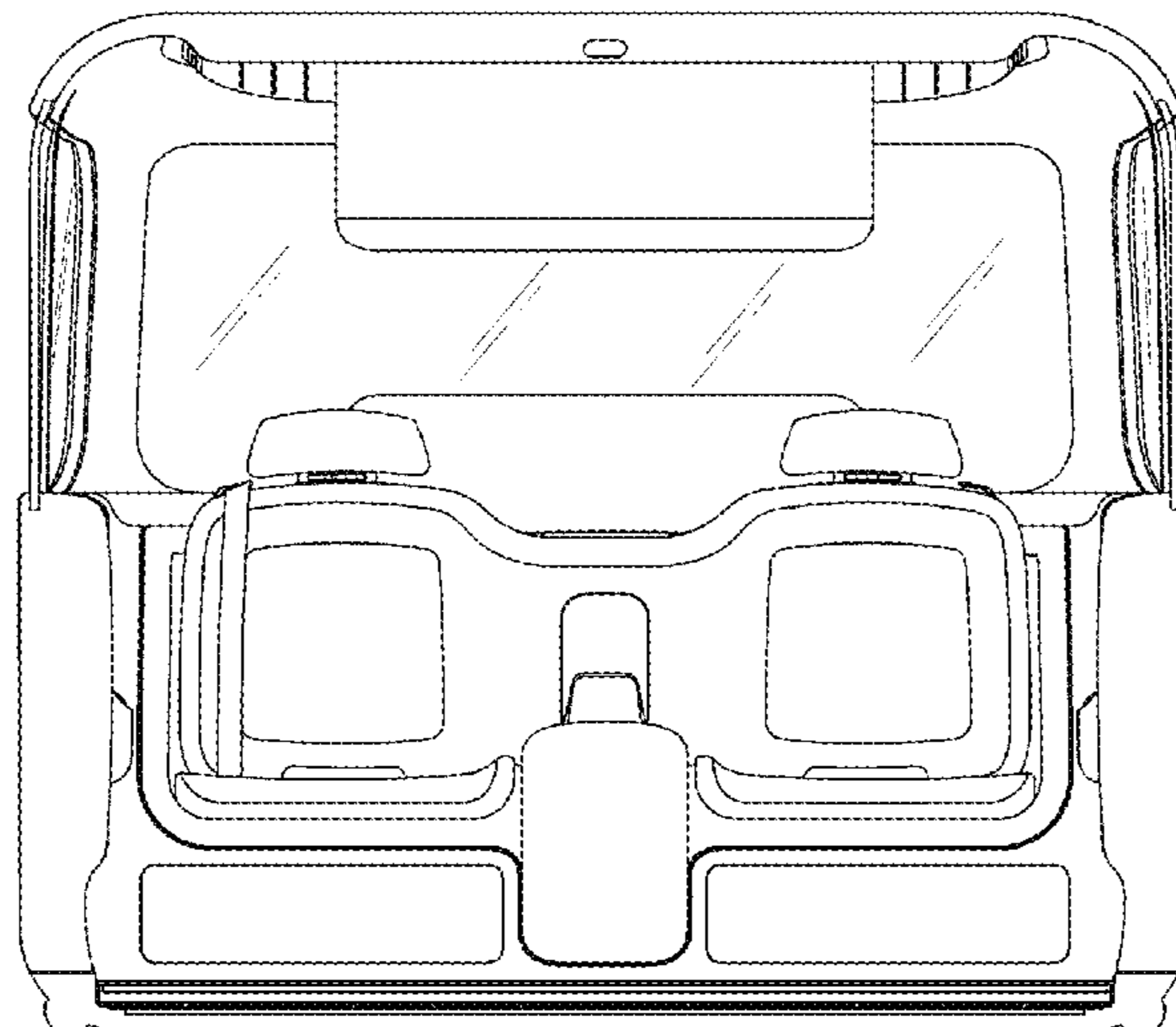
The ornamental design for an interior for vehicles, as shown and described.

**DESCRIPTION**

- 1. Interior for vehicles
- 1.1 : Perspective
- 1.2 : Bottom perspective view
- 1.3 : Front
- 1.4 : Back
- 1.5 : Left
- 1.6 : Top
- 1.7 : Bottom

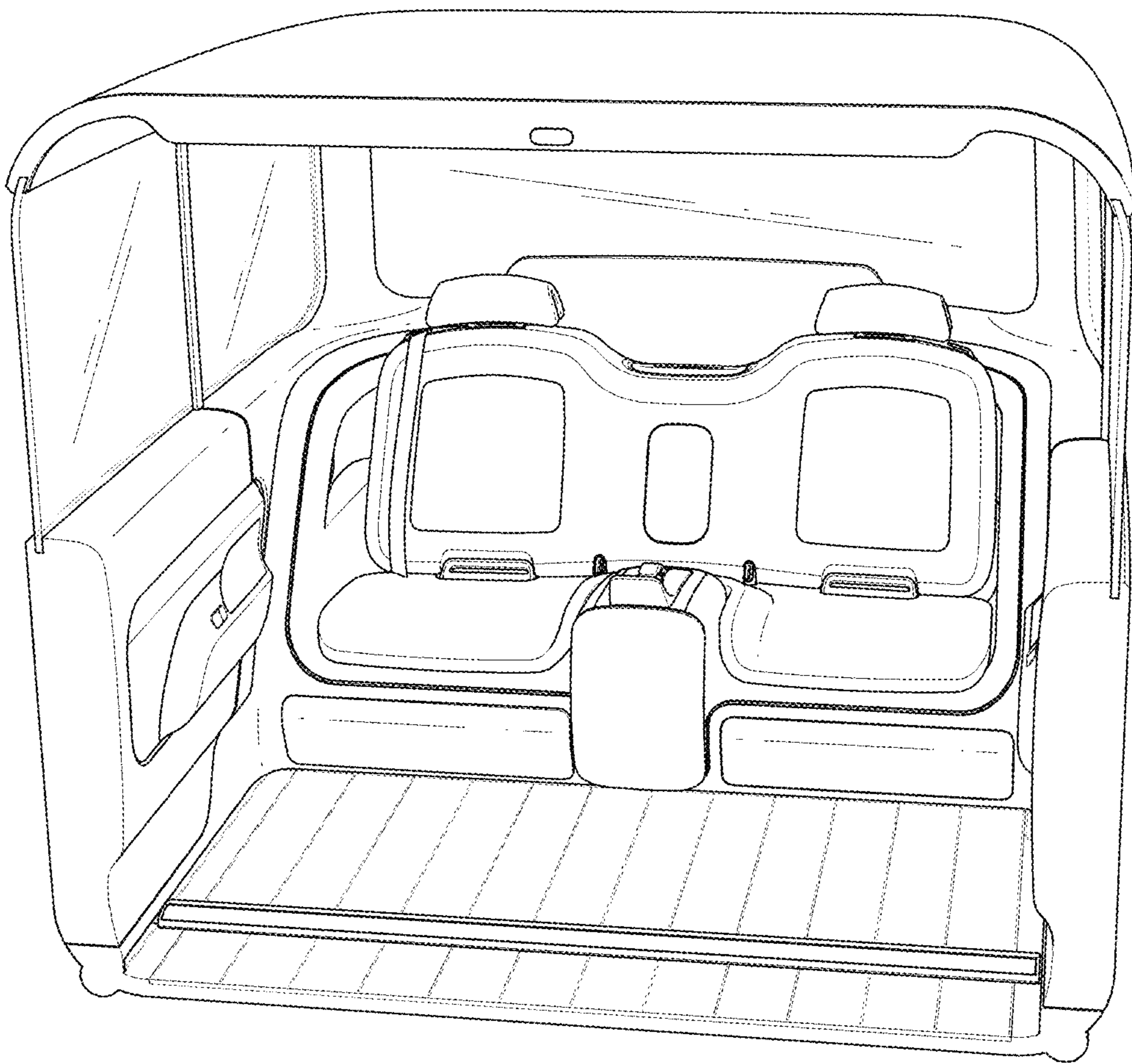
The right side view which is symmetrical with the left side view is omitted.

**1 Claim, 7 Drawing Sheets**



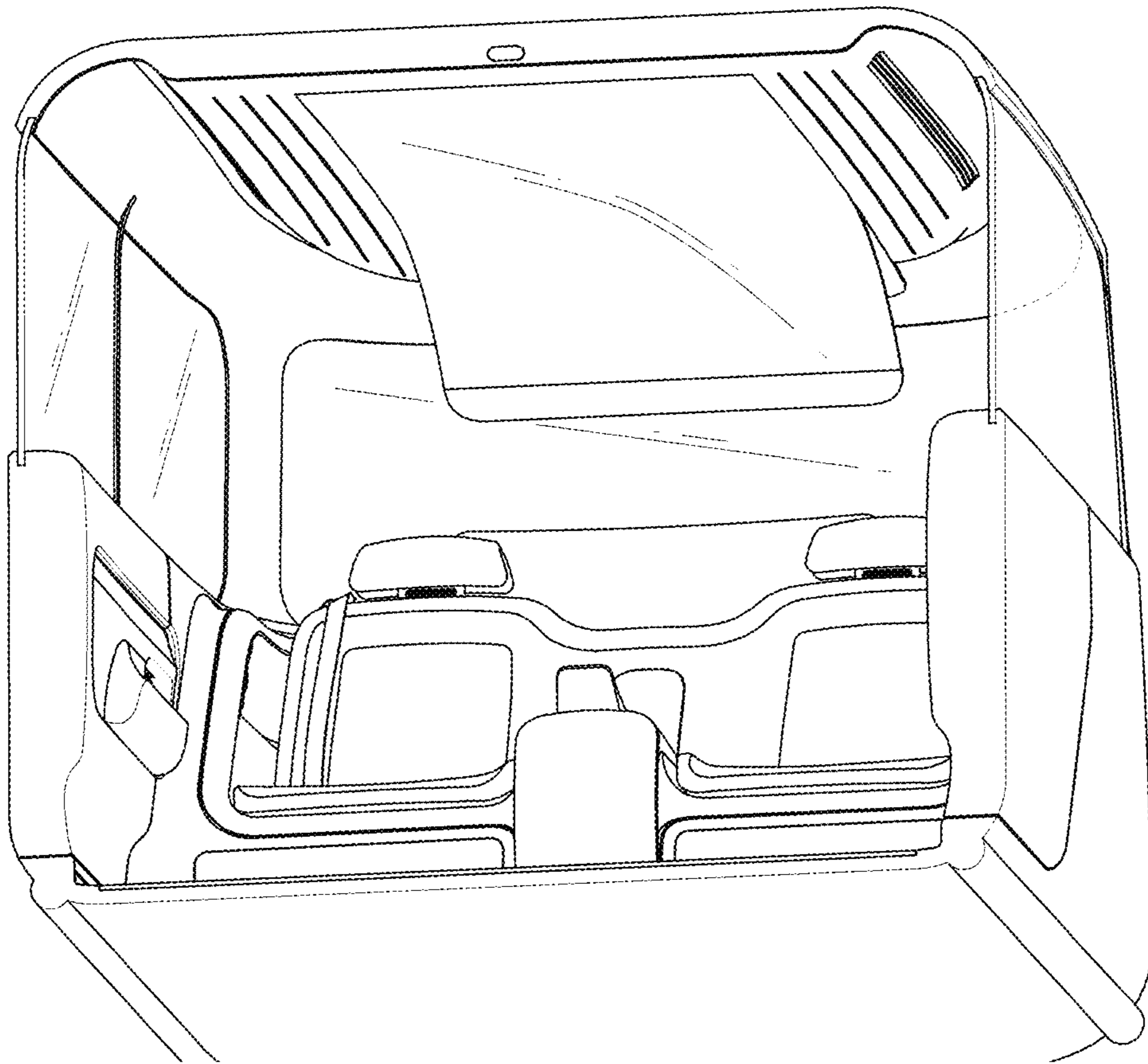


1.1

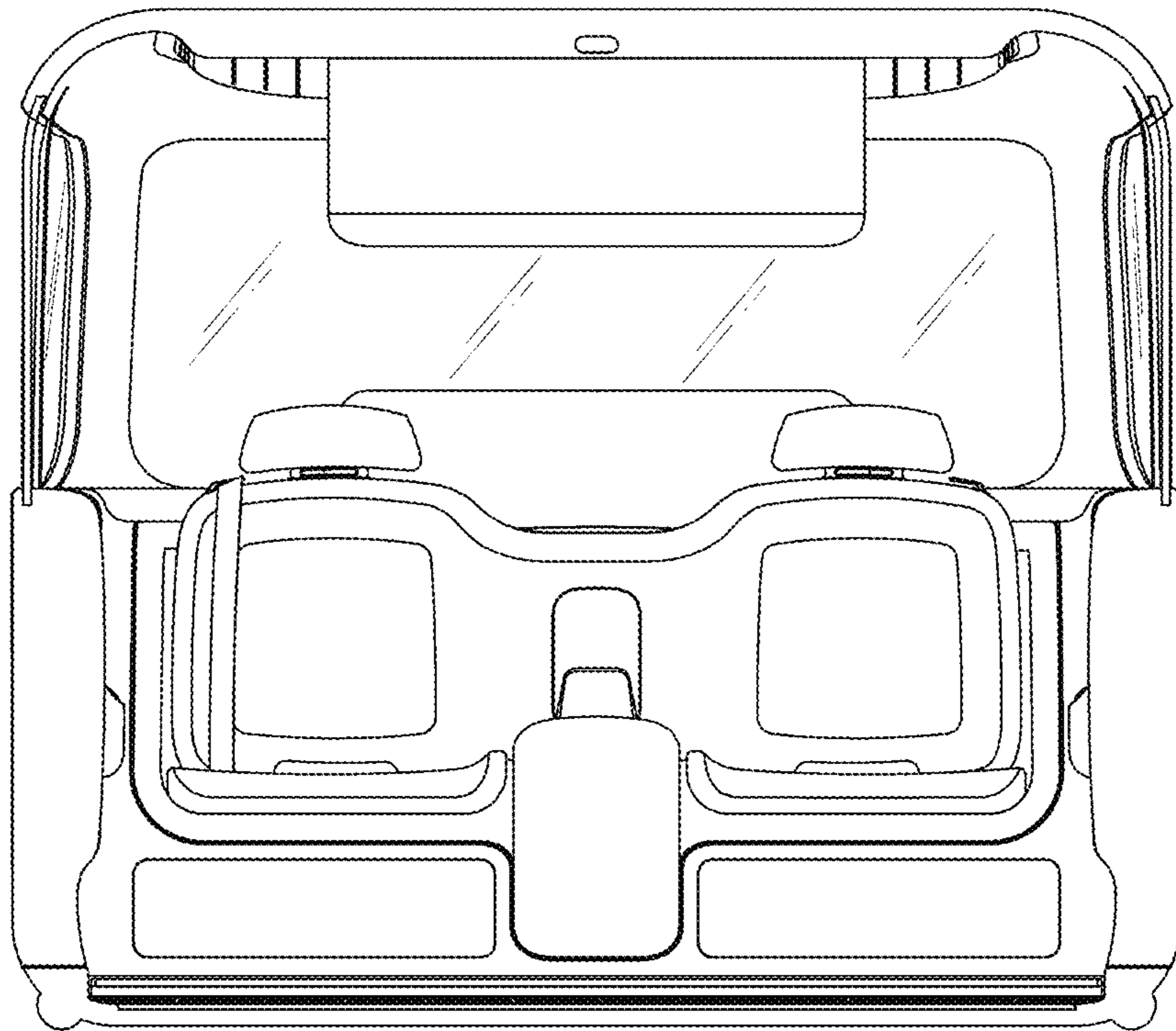




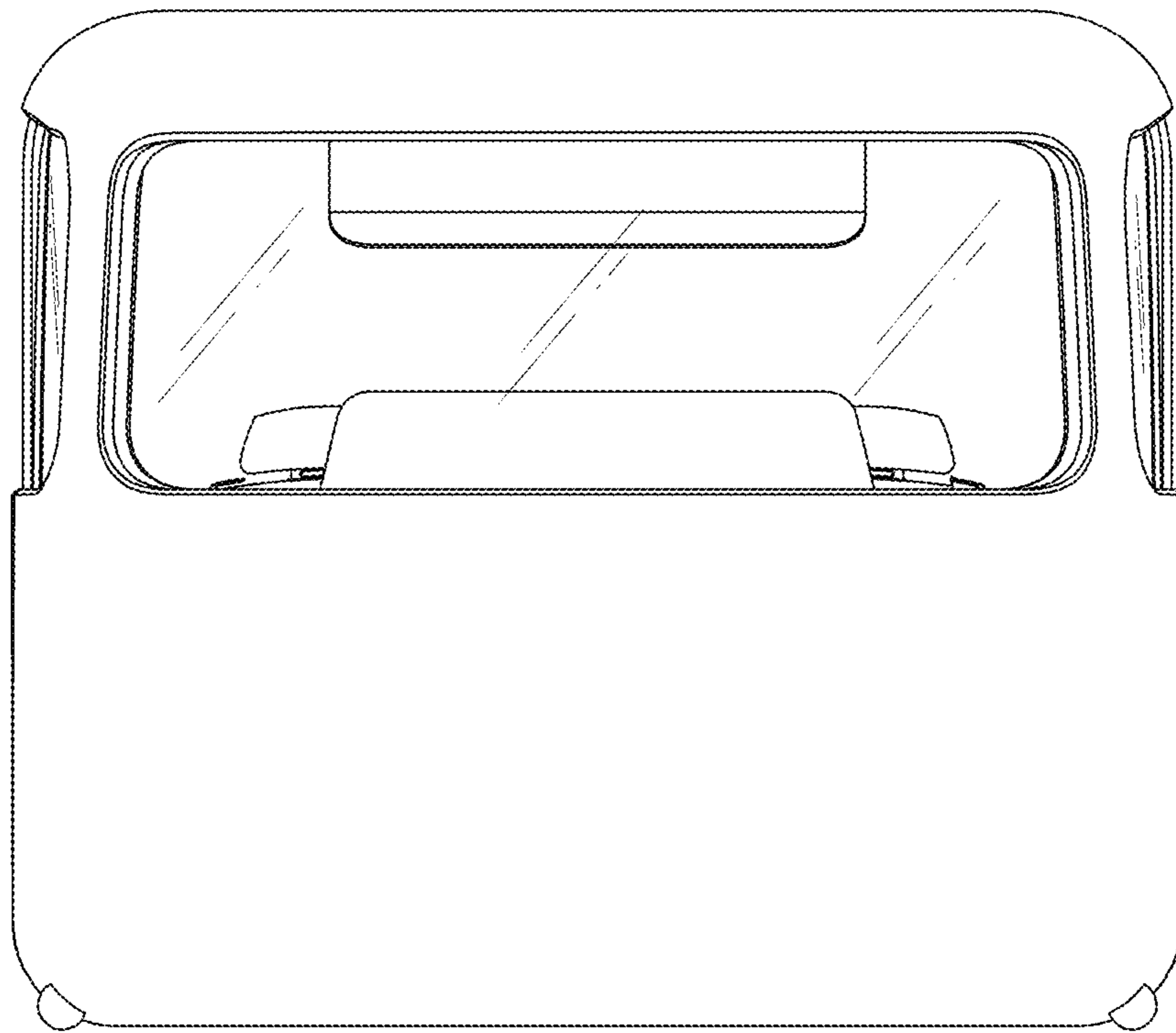
1.2



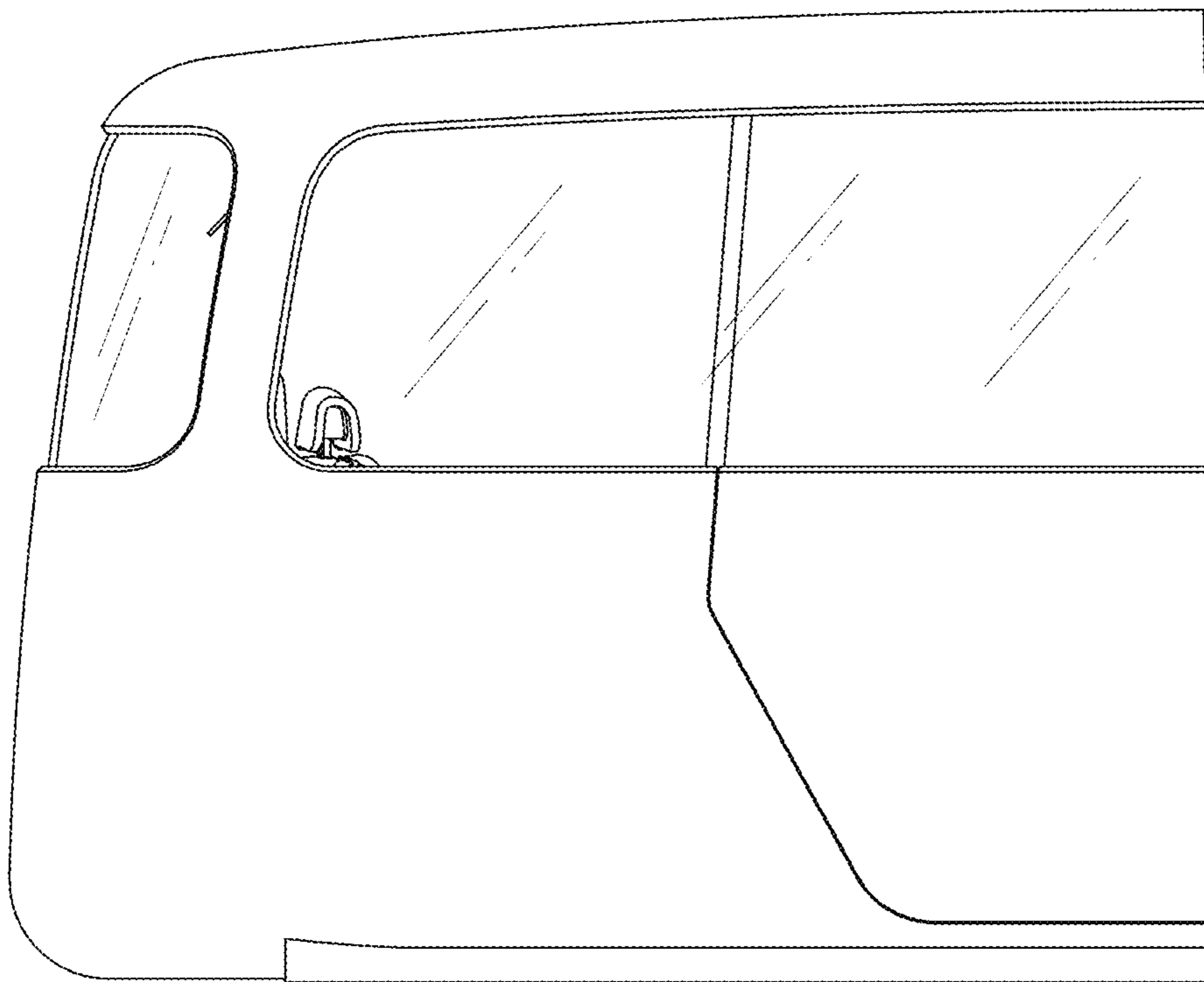
1.3



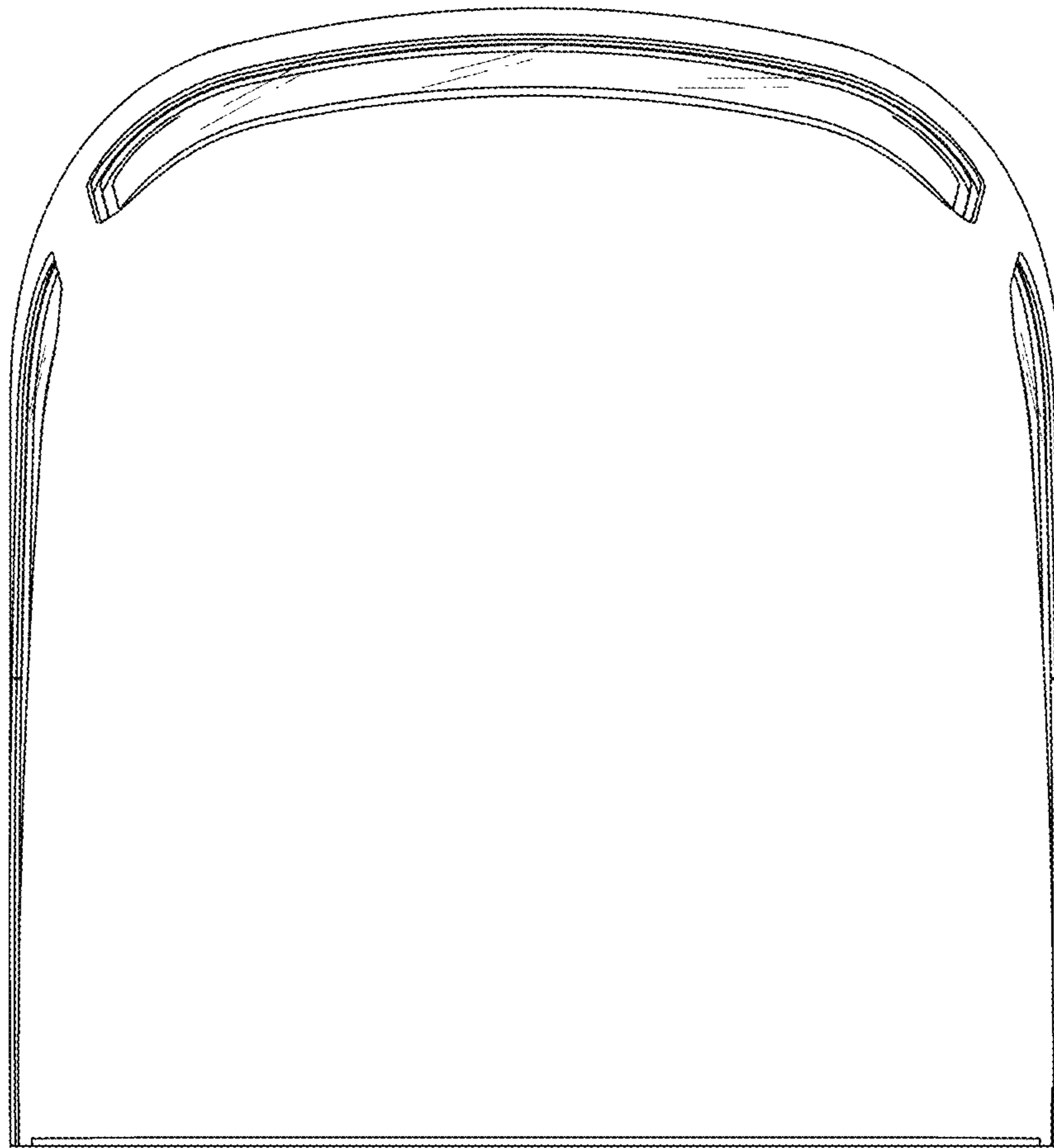
1.4



1.5



1.6





1.7

