



US00D949765S

(12) **United States Design Patent**  
**Kincaid et al.**

(10) **Patent No.:** **US D949,765 S**

(45) **Date of Patent:** **\*\* Apr. 26, 2022**

- (54) **BUREAU FOR AN AIRCRAFT**
- (71) Applicant: **Gulfstream Aerospace Corporation,**  
Savannah, GA (US)
- (72) Inventors: **Kyle Kincaid,** Savannah, GA (US);  
**Kevin Sethapun,** Savannah, GA (US);  
**Salvador Gonzalez,** Savannah, GA  
(US)
- (73) Assignee: **Gulfstream Aerospace Corporation,**  
Savannah, GA (US)
- (\*\*) Term: **15 Years**
- (21) Appl. No.: **29/709,945**
- (22) Filed: **Oct. 18, 2019**
- (51) **LOC (13) Cl.** ..... **12-16**
- (52) **U.S. Cl.**  
USPC ..... **D12/195**
- (58) **Field of Classification Search**  
USPC ..... D12/195, 345; D6/334–336, 356–357,  
D6/360, 361, 367, 368, 381, 643, 716,  
D6/716.1–716.5  
CPC ..... B60N 2/4693; B64C 1/14; B64C 1/1484  
See application file for complete search history.

- D835,554 S \* 12/2018 Yamamoto ..... D12/195
- D842,785 S \* 3/2019 Balicki ..... D12/195
- D842,786 S \* 3/2019 Burd ..... E05C 3/004  
D12/195
- D849,623 S \* 5/2019 Wilczynski ..... D12/195
- D908,054 S \* 1/2021 Perkins ..... D12/195
- D913,178 S \* 3/2021 Hernandez ..... D12/195
- D915,968 S \* 4/2021 Robinson ..... D12/195
- D916,637 S \* 4/2021 Tian ..... D12/195
- D931,175 S \* 9/2021 Kentley-Klay ..... D12/195
- D932,405 S \* 10/2021 Setina ..... D12/195

\* cited by examiner

*Primary Examiner* — Katrina A Betton

(74) *Attorney, Agent, or Firm* — LKGlobal | Lorenz & Kopf, LLP

(57) **CLAIM**

The ornamental design of a bureau for an aircraft, as shown and described.

**DESCRIPTION**

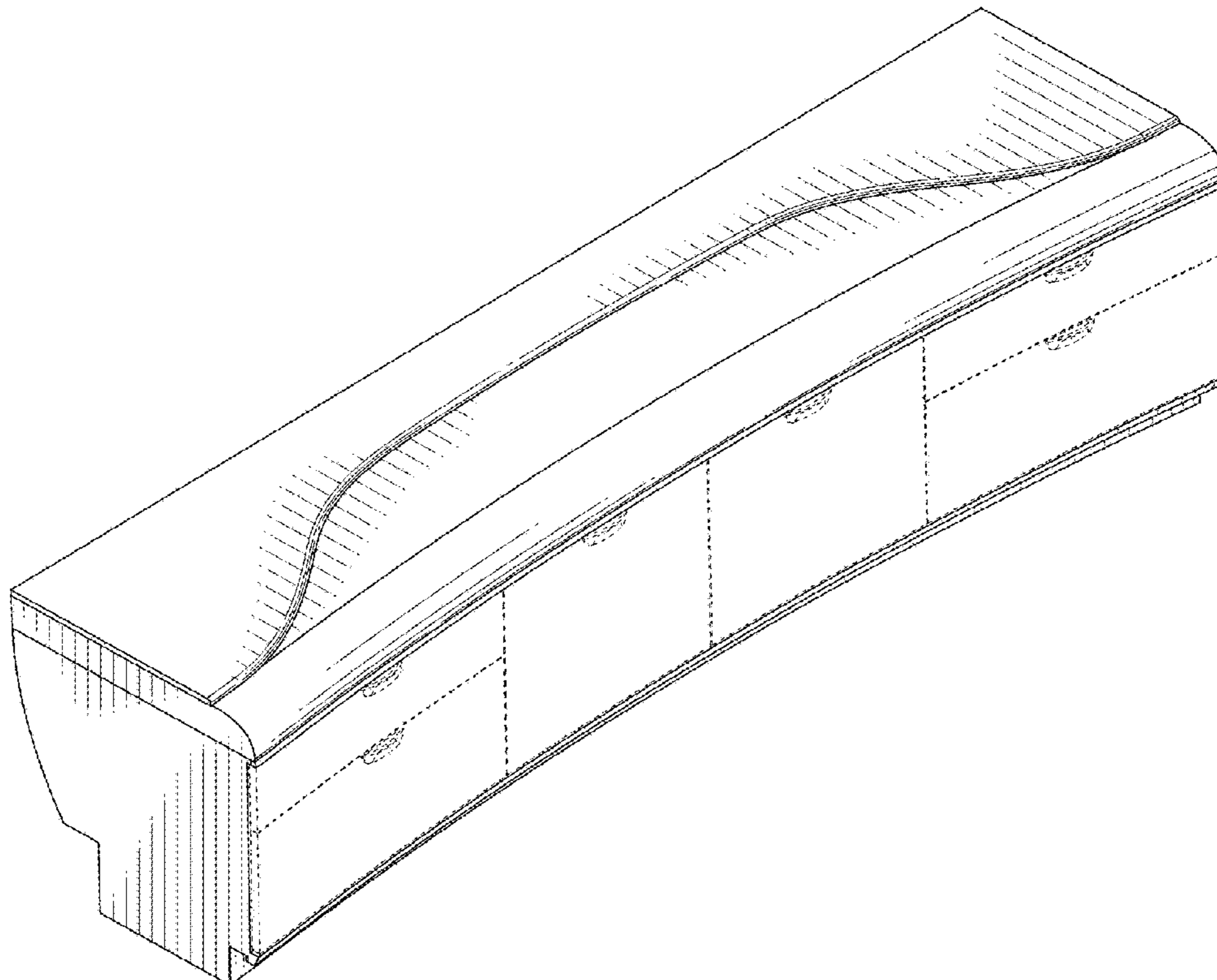
FIG. 1 is an upper perspective view of the bureau for an aircraft;  
 FIG. 2 is a front view of the bureau shown in FIG. 1;  
 FIG. 3 is a right-end view of the bureau shown in FIG. 1;  
 FIG. 4 is a left-end view of the bureau shown in FIG. 1; and,  
 FIG. 5 is a top view of the bureau shown in FIG. 1.  
 The bottom view and the rear view of the bureau form no part of the claimed subject matter and are therefore omitted. The broken lines shown in the figures represent portions of the bureau that form no part of the claimed design.

**1 Claim, 4 Drawing Sheets**

(56) **References Cited**

U.S. PATENT DOCUMENTS

- D821,947 S \* 7/2018 Kasparian ..... D12/195
- D829,142 S \* 9/2018 Sheffield ..... D12/195



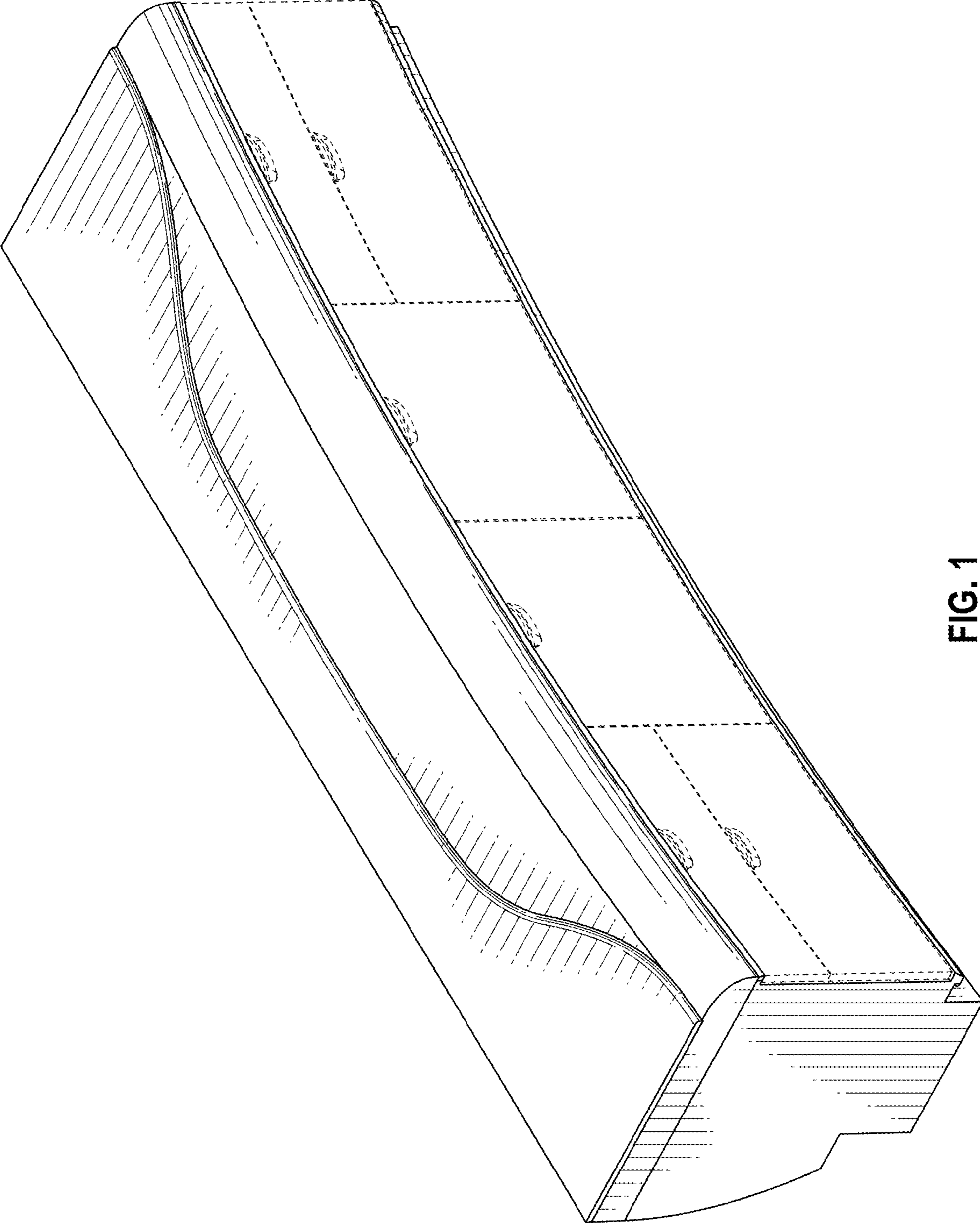


FIG. 1

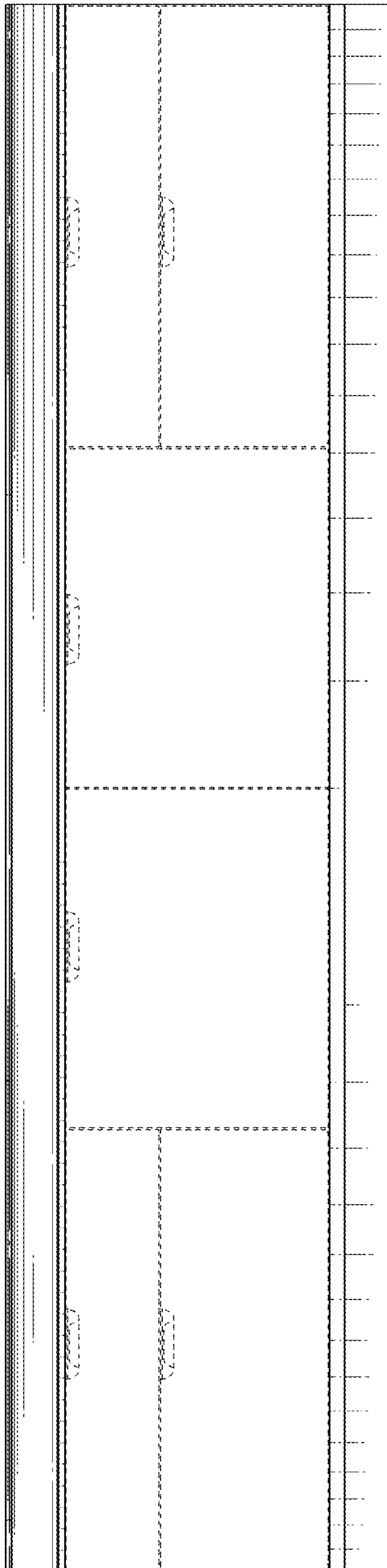


FIG. 2

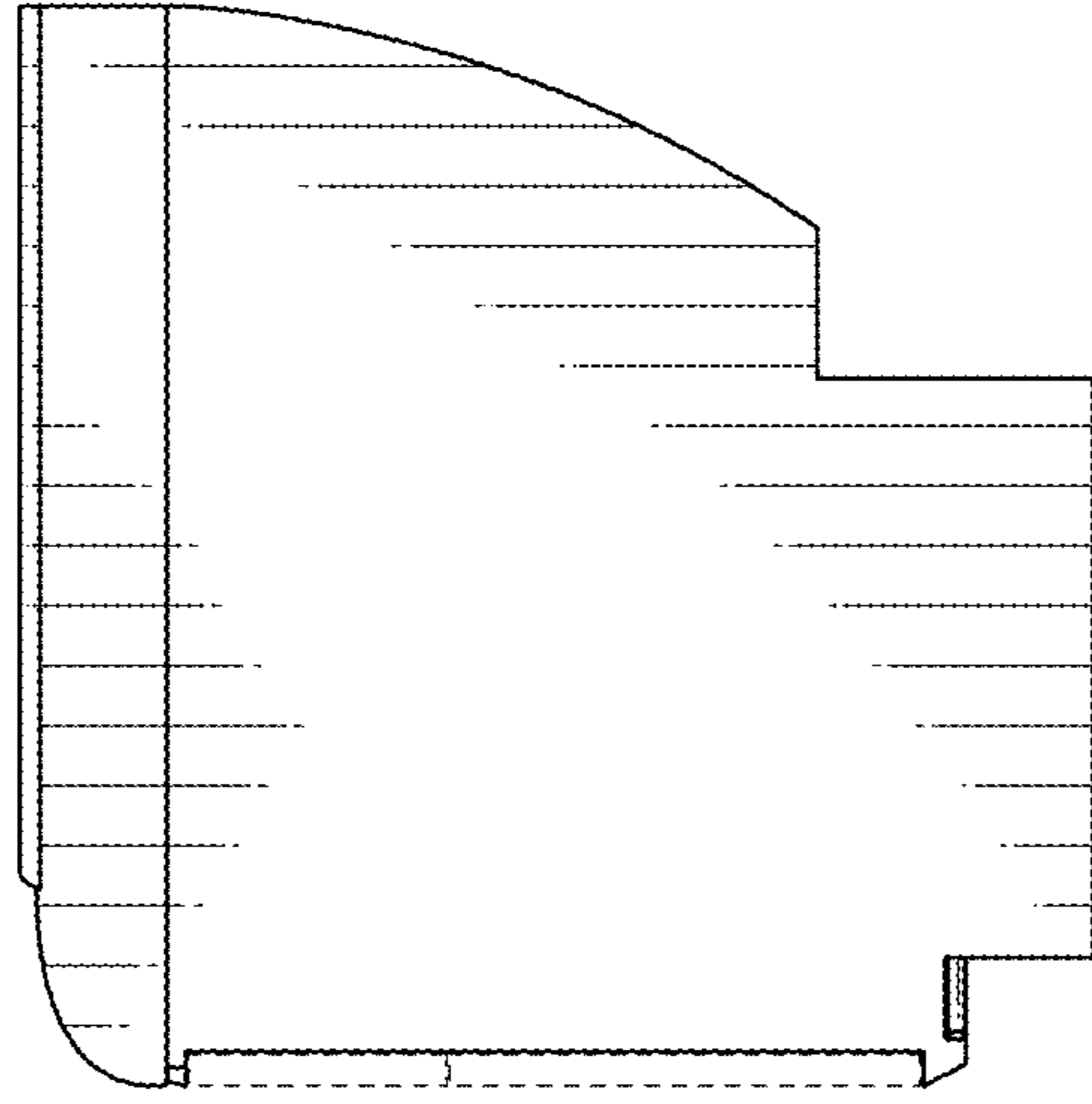


FIG. 4

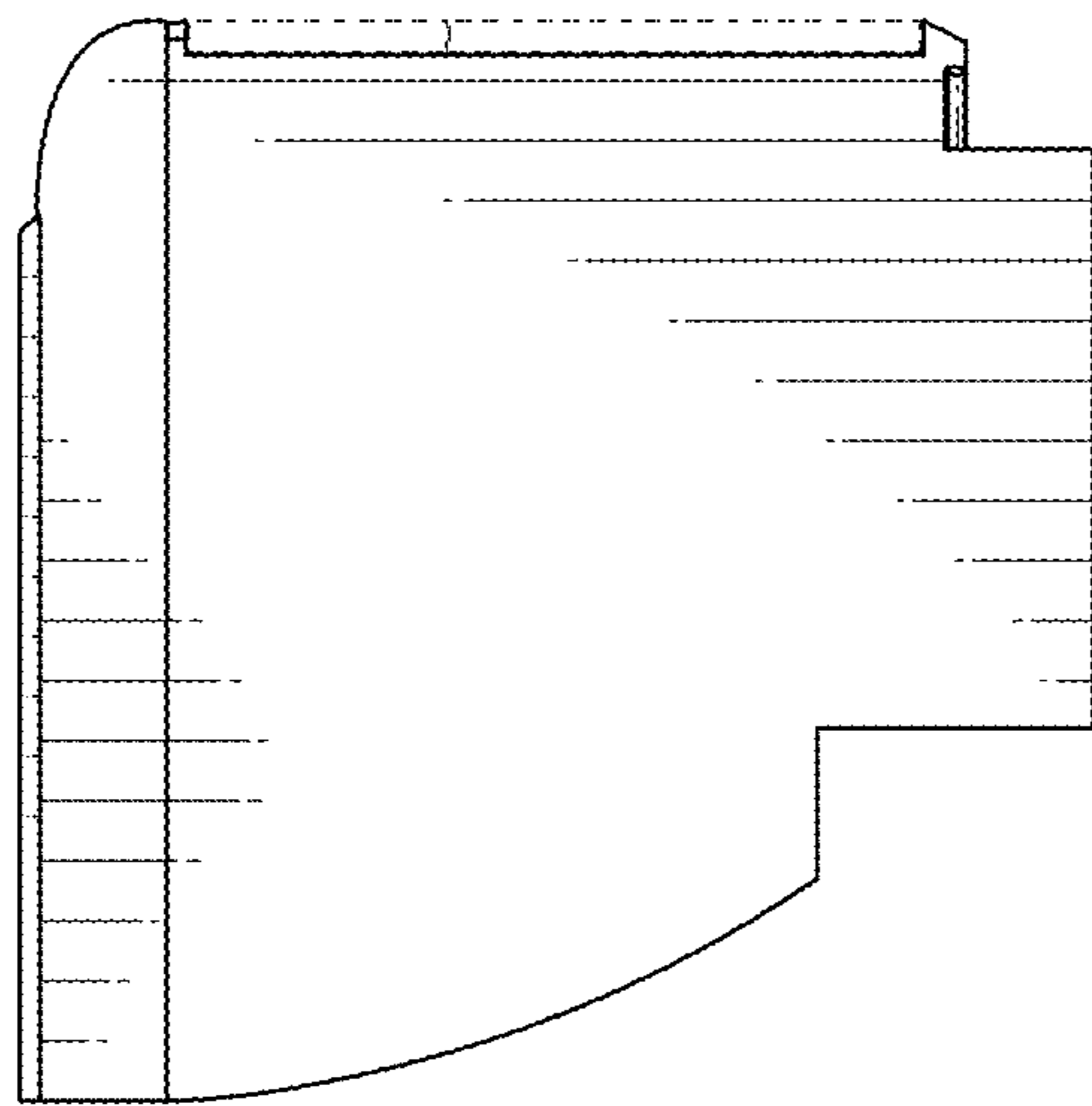


FIG. 3

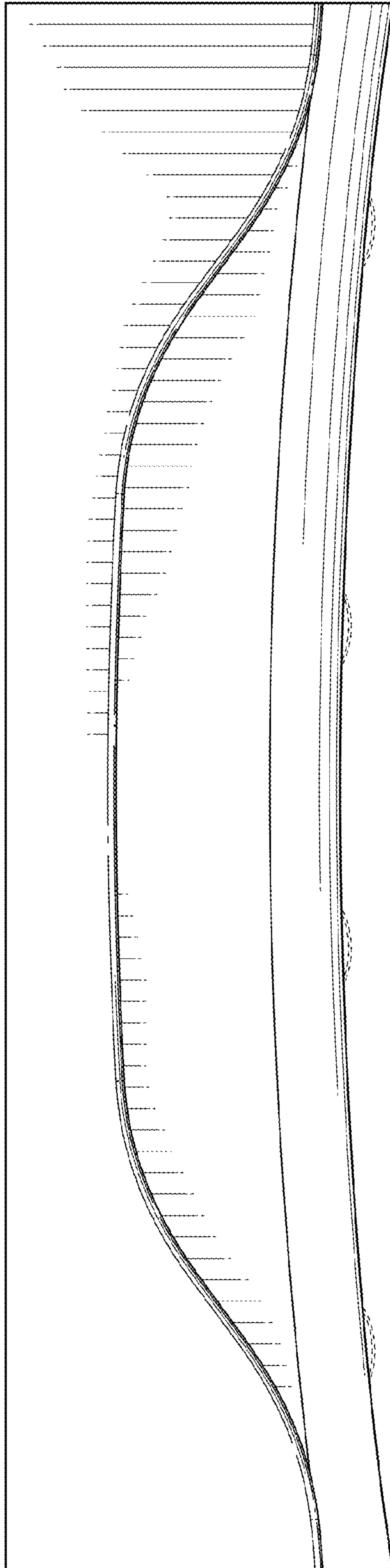


FIG. 5