



US00D949764S

(12) **United States Design Patent**
Fowler et al.

(10) **Patent No.:** **US D949,764 S**
(45) **Date of Patent:** **** Apr. 26, 2022**

(54) **CONTROL PANEL**

(71) Applicant: **MTD Products Inc**, Valley City, OH (US)

(72) Inventors: **Dennis Wayne Fowler**, Valley City, OH (US); **Duke Matelske**, Columbia Station, OH (US); **Jeremy Daniel Powell**, Olmsted Township, OH (US)

(73) Assignee: **MTD PRODUCTS INC**, Valley City, OH (US)

(**) Term: **15 Years**

(21) Appl. No.: **29/758,089**

(22) Filed: **Nov. 12, 2020**

(51) **LOC (13) Cl.** **12-06**

(52) **U.S. Cl.**
USPC **D12/192; D13/162; D15/28**

(58) **Field of Classification Search**
USPC D13/162, 164; D12/190, 192; D15/28; D23/324; D34/35; D14/157, 257, 258
CPC .. H05K 5/0017; H01H 9/181; B60R 11/0235; A01D 354/006; A01D 354/008; B60K 37/06; B60N 2/14; B60N 2/797; G01C 21/16; G08G 1/096883
See application file for complete search history.

(56) **References Cited**

U.S. PATENT DOCUMENTS

D251,727 S * 5/1979 Erlacher D12/192
D327,858 S * 7/1992 Avitan D10/101

D353,118 S * 12/1994 Avitan D10/102
D382,569 S * 8/1997 Esposito D15/28
D439,257 S * 3/2001 Rossow D12/192
D557,645 S * 12/2007 Akagawa D12/192
D588,250 S * 3/2009 Lohrding D23/324
D599,075 S * 8/2009 Shibata D34/35
D768,580 S * 10/2016 Thompson D13/164
D821,454 S * 6/2018 Maibach D15/28
D915,256 S * 4/2021 Dellemann D12/192
2007/0137904 A1 * 6/2007 Rose B66F 9/24
180/19.1
2018/0143734 A1 * 5/2018 Ochenas G06F 3/04883
2020/0305341 A1 * 10/2020 Mayefske A01D 34/008

* cited by examiner

Primary Examiner — Selina Sikder

(74) *Attorney, Agent, or Firm* — Wegman Hessler

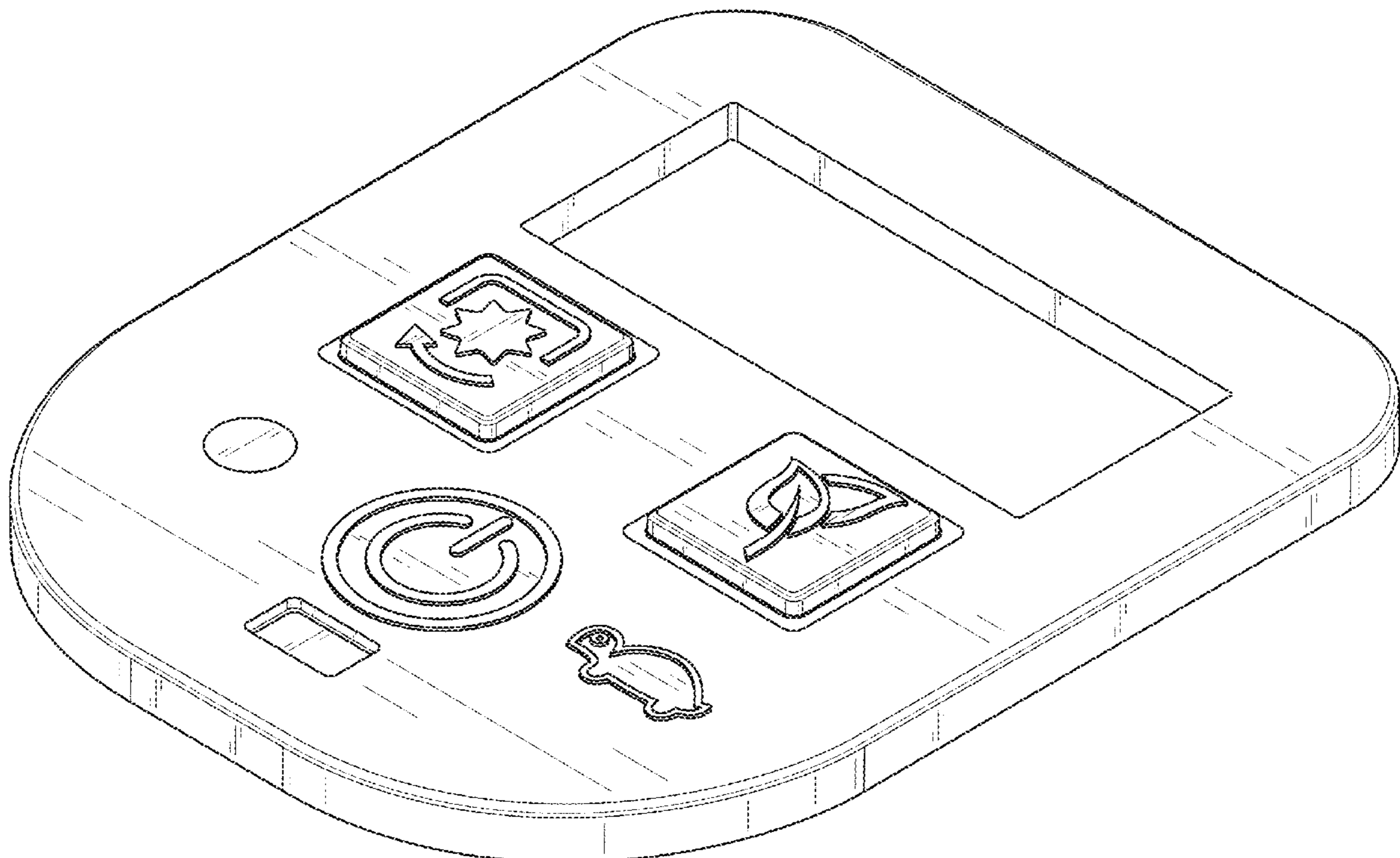
(57) **CLAIM**

The ornamental design for a control panel, as shown and described.

DESCRIPTION

FIG. 1 is a perspective view of a control panel showing our new design;
FIG. 2 is a front view of the control panel of FIG. 1;
FIG. 3 is a rear view of the control panel of FIG. 1;
FIG. 4 is a right side view of the control panel of FIG. 1;
FIG. 5 is a left side view of the control panel of FIG. 1;
FIG. 6 is a top view of the control panel of FIG. 1; and,
FIG. 7 is a bottom view of the control panel of FIG. 1.

1 Claim, 5 Drawing Sheets



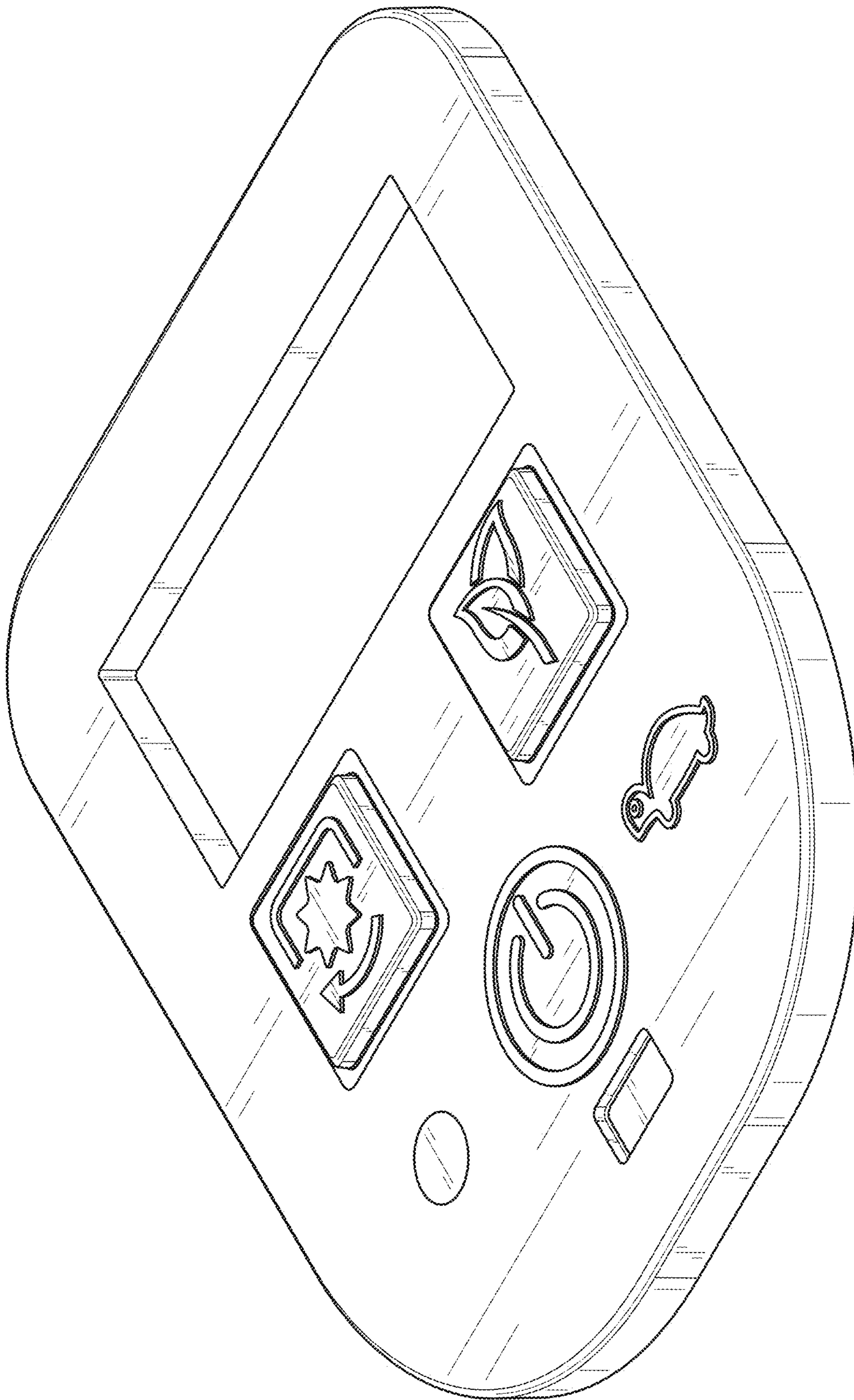


FIG. 1

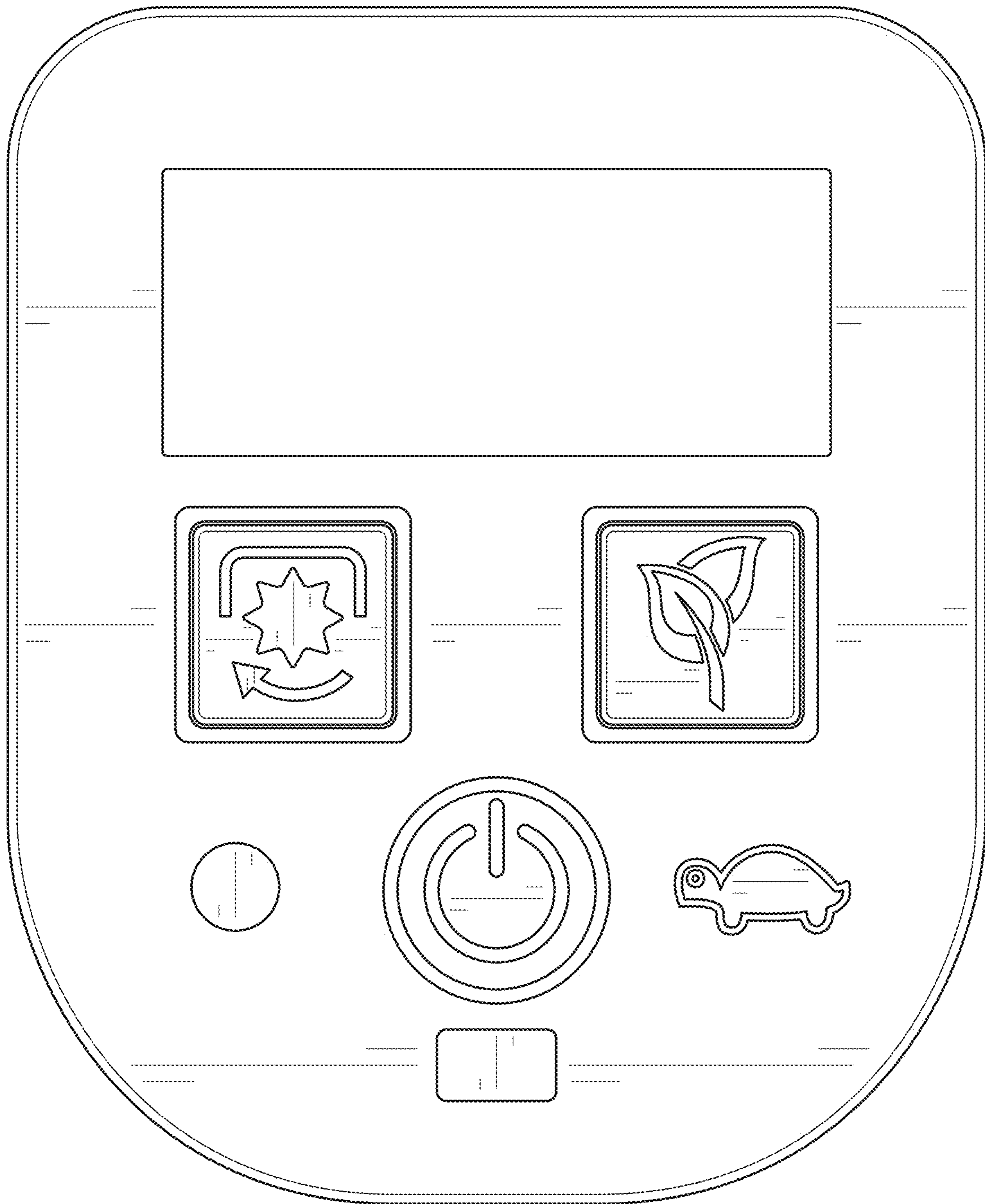


FIG. 2

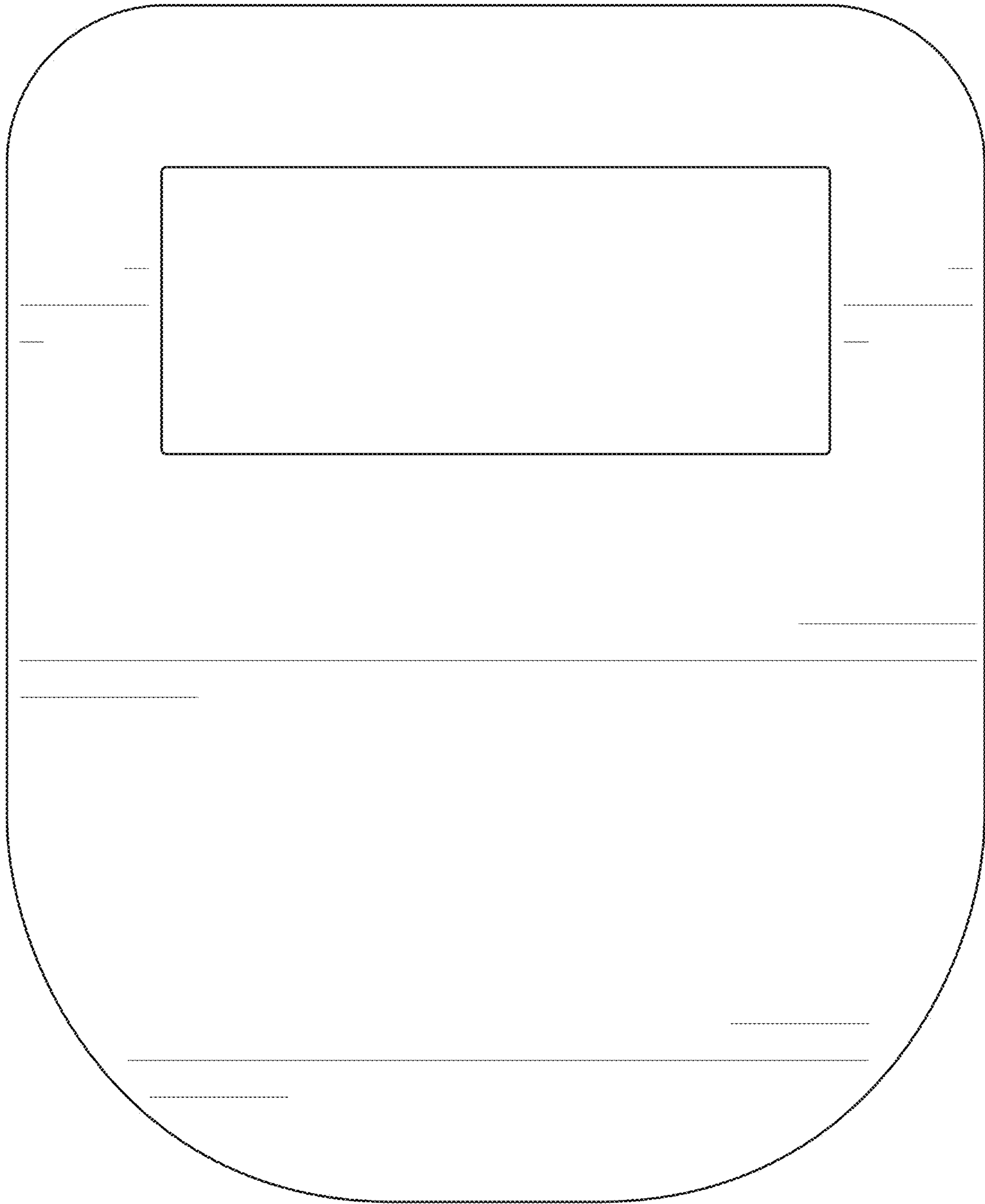


FIG. 3

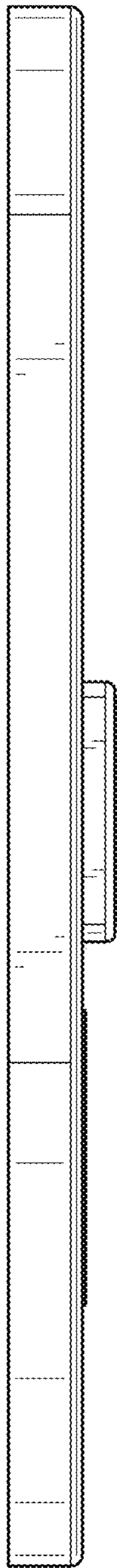


FIG. 4

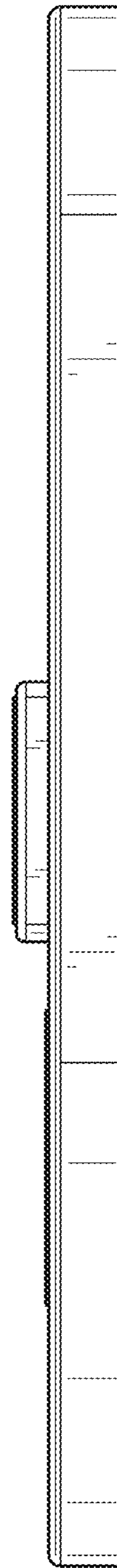


FIG. 5

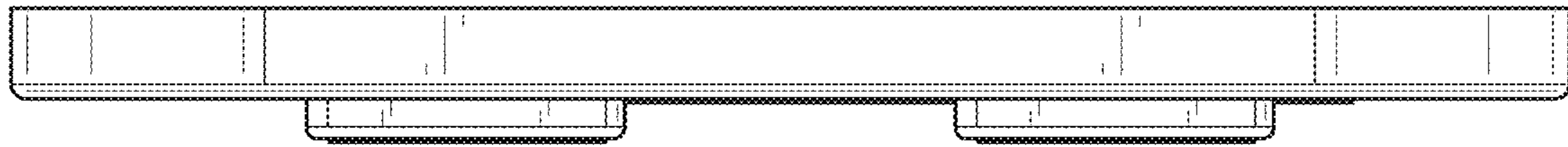


FIG. 6

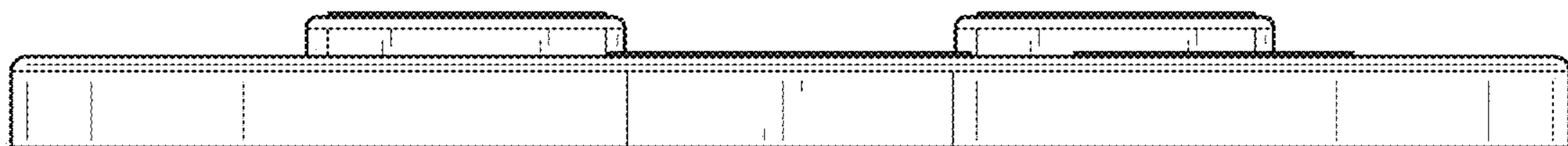


FIG. 7