



US00D949761S

(12) **United States Design Patent**
Heavrin

(10) **Patent No.:** **US D949,761 S**

(45) **Date of Patent:** **** Apr. 26, 2022**

(54) **AUTOMOTIVE SHIFT GATE KIT**

FOREIGN PATENT DOCUMENTS

(71) Applicant: **David Heavrin**, Lutherville, MD (US)

JP 1063835 * 3/2000

(72) Inventor: **David Heavrin**, Lutherville, MD (US)

OTHER PUBLICATIONS

(**) Term: **15 Years**

“GRP Gated Shifter Plate Kit” GRP., posted date Jul. 9, 2019 [online], [retrieved on Jan. 27, 2022]. Retrieved from the Internet <URL:https://www.gregsraceparts.com/products/grp-gated-shifter-plate-kit-for-elise-exige> (Year: 2019).*

(21) Appl. No.: **29/811,042**

(Continued)

(22) Filed: **Oct. 11, 2021**

(51) **LOC (13) Cl.** **12-16**

(52) **U.S. Cl.**
USPC **D12/179**

(58) **Field of Classification Search**

USPC D12/400, 415, 162, 174–177, 179, 180,
D12/181, 190–192, 196, 218; D14/412;
D21/566

CPC B60T 17/00; B60D 1/01; B60R 25/02105;
B60R 2011/001

See application file for complete search history.

Primary Examiner — Darlington Ly
Assistant Examiner — Nasim Abdulaziz Ali
(74) *Attorney, Agent, or Firm* — Quickpatents, LLC;
Kevin Prince

(57) **CLAIM**

The ornamental design for an automotive shift gate kit, as shown and described.

(56) **References Cited**

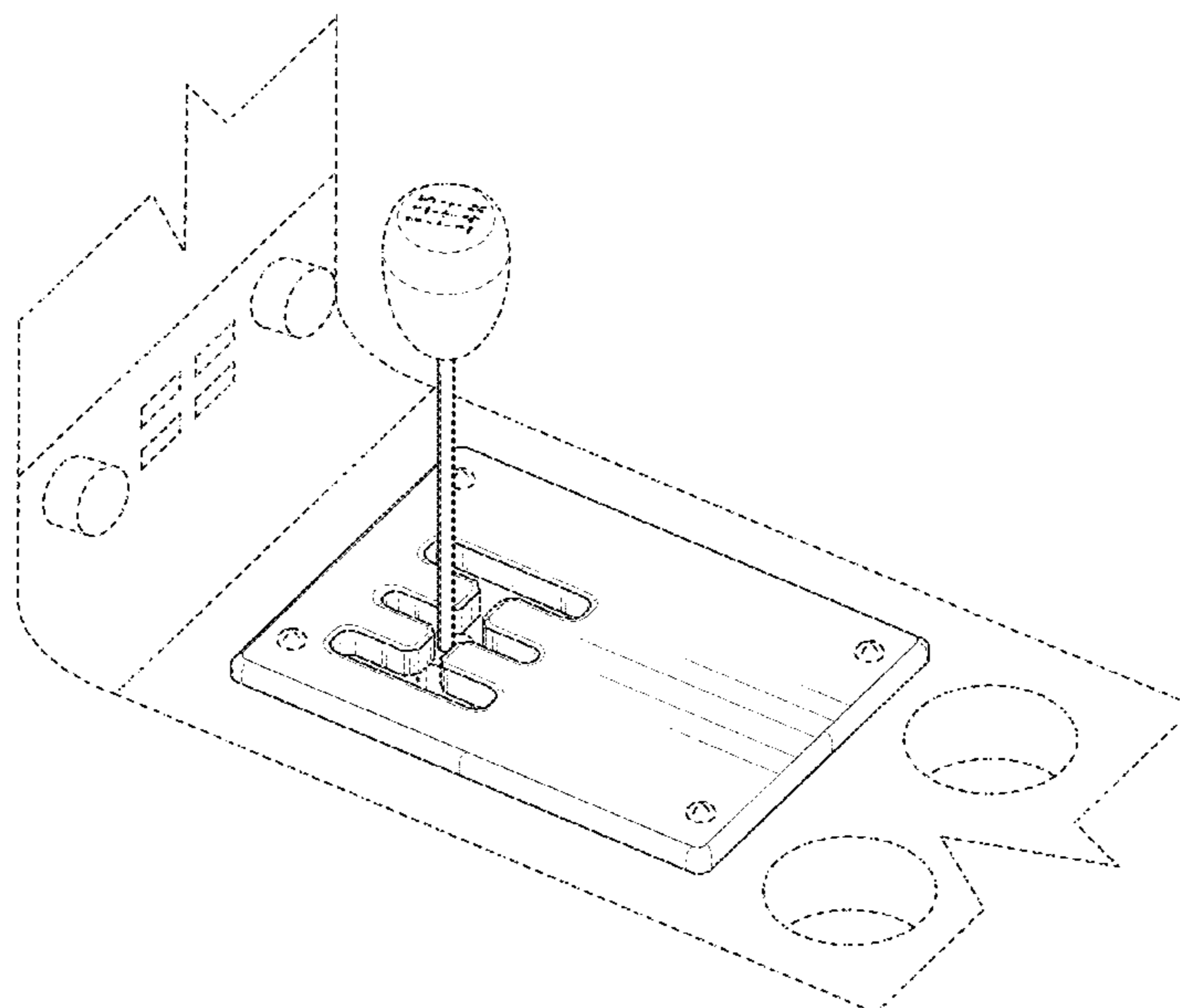
DESCRIPTION

U.S. PATENT DOCUMENTS

| | | | | | |
|--------------|------|---------|-----------|-------|---------------------------|
| 5,406,860 | A * | 4/1995 | Easton | | F16H 59/02 74/335 |
| 5,560,253 | A * | 10/1996 | Ishikawa | | F16H 61/36 403/50 |
| 5,852,953 | A * | 12/1998 | Ersoy | | F16H 59/0204 74/471 XY |
| 6,231,476 | B1 * | 5/2001 | Reasoner | | F16H 59/10 477/99 |
| D448,720 | S * | 10/2001 | Nash | | D12/419 |
| D568,232 | S * | 5/2008 | Motozaki | | D12/423 |
| D576,931 | S * | 9/2008 | Ravindra | | D12/179 |
| D693,752 | S * | 11/2013 | Jovanoski | | D12/192 |
| D702,165 | S * | 4/2014 | Geberth | | D12/174 |
| 9,752,674 | B2 * | 9/2017 | Jeong | | F16H 59/105 |
| D826,813 | S * | 8/2018 | Carr | | D12/192 |
| D840,325 | S * | 2/2019 | Sandys | | D12/415 |
| D911,256 | S * | 2/2021 | Sham | | D12/415 |
| 2015/0135878 | A1 * | 5/2015 | Park | | F16H 59/0278 74/473.24 |

FIG. 1 is a top perspective view of an automotive shift gate kit, showing my new design;
FIG. 2 is an exploded top perspective view thereof;
FIG. 3 is a bottom perspective view thereof;
FIG. 4 is a top plan view thereof;
FIG. 5 is a bottom plan view thereof;
FIG. 6 is a right-side elevational view thereof;
FIG. 7 is a left-side elevational view thereof;
FIG. 8 is a front elevational view thereof; and,
FIG. 9 is a rear elevational view thereof.
The broken lines showing a vehicle and gear shift knob in FIG. 1 depict environmental matter and form no part of the claimed design. The remaining broken lines depict portions of the automotive shift gate kit that form no part of the claimed design.

1 Claim, 7 Drawing Sheets



(56)

References Cited

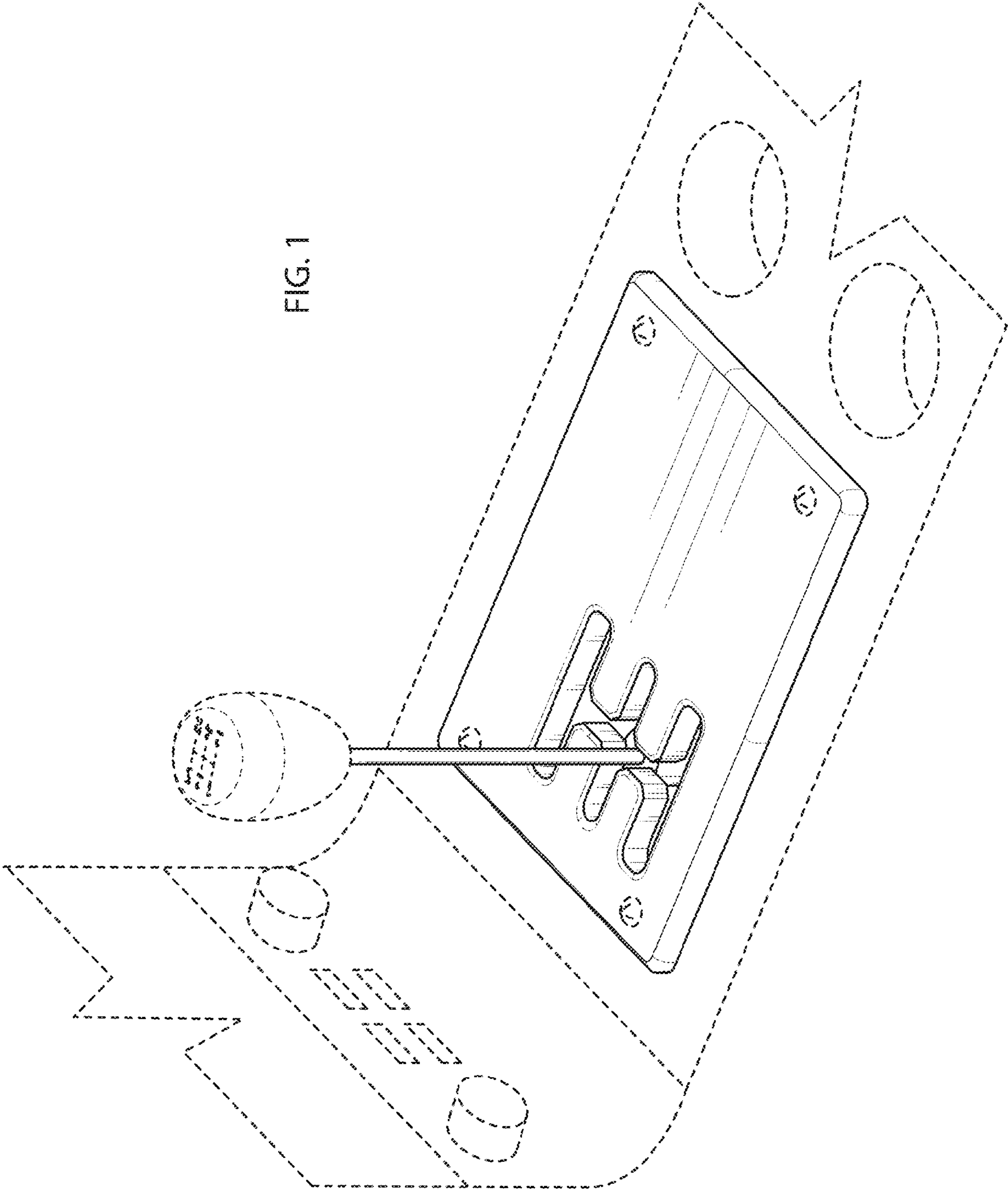
OTHER PUBLICATIONS

“2015-19 Focus ST/RS Shift Plate + Knob” Brothers Tuning., posted date Aug. 7, 2019 [online], [retrieved on Jan. 27, 2022]. Retrieved from the Internet <URL:<https://www.brotherstuning.com/product-page/2015-focus-st-rs-shift-plate-knob>> (Year: 2019).*

“Can Am Maverick X3 shifter plate shift gate” BRP., posted date Mar. 22, 2018 [online], [retrieved on Jan. 27, 2022]. Retrieved from the Internet <URL:<https://www.amazon.com/Maverick-shifter-plate-shift-715004866/dp/B07BL61BTT>> (Year: 2018).*

* cited by examiner

FIG. 1



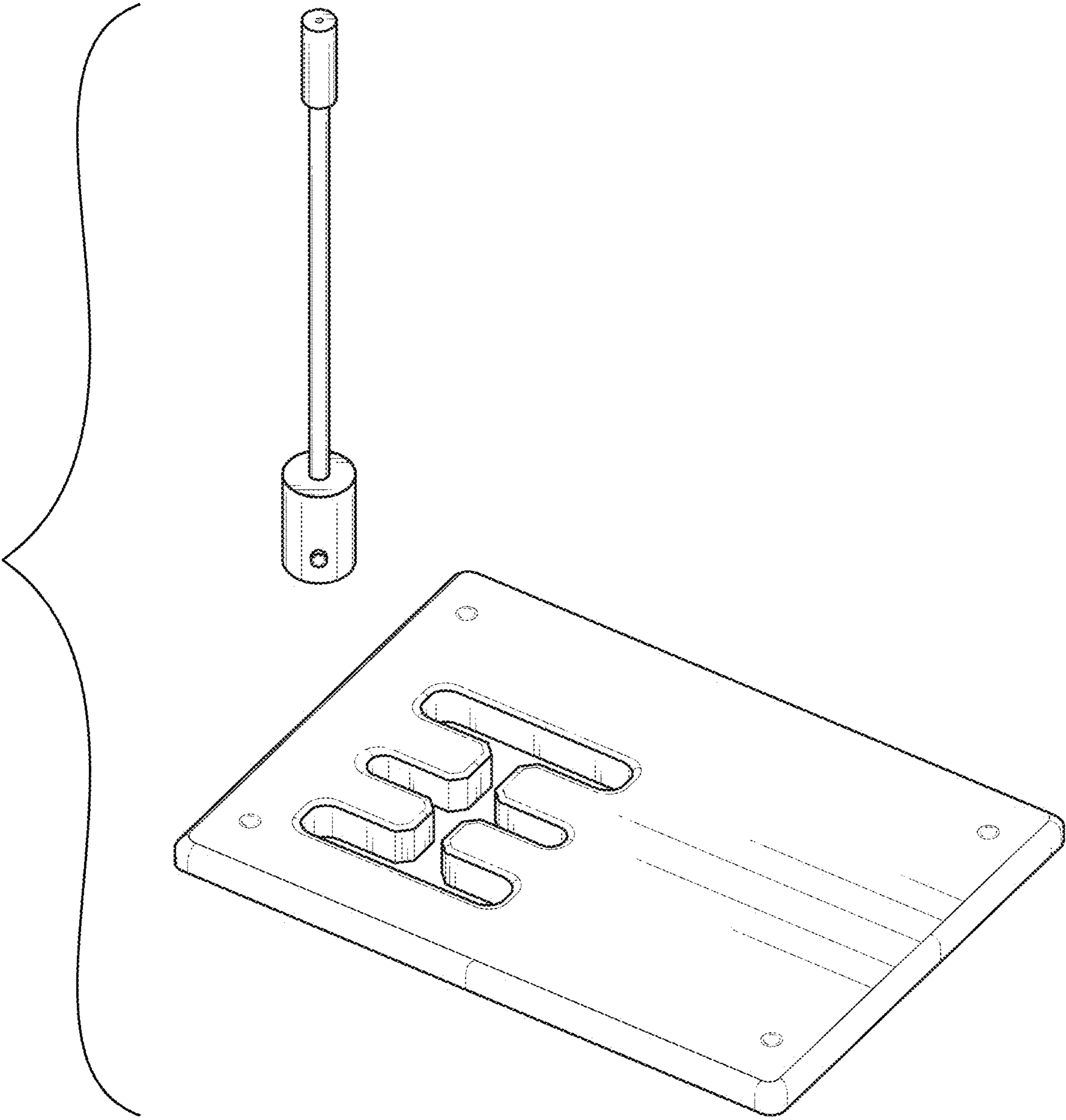


FIG. 2

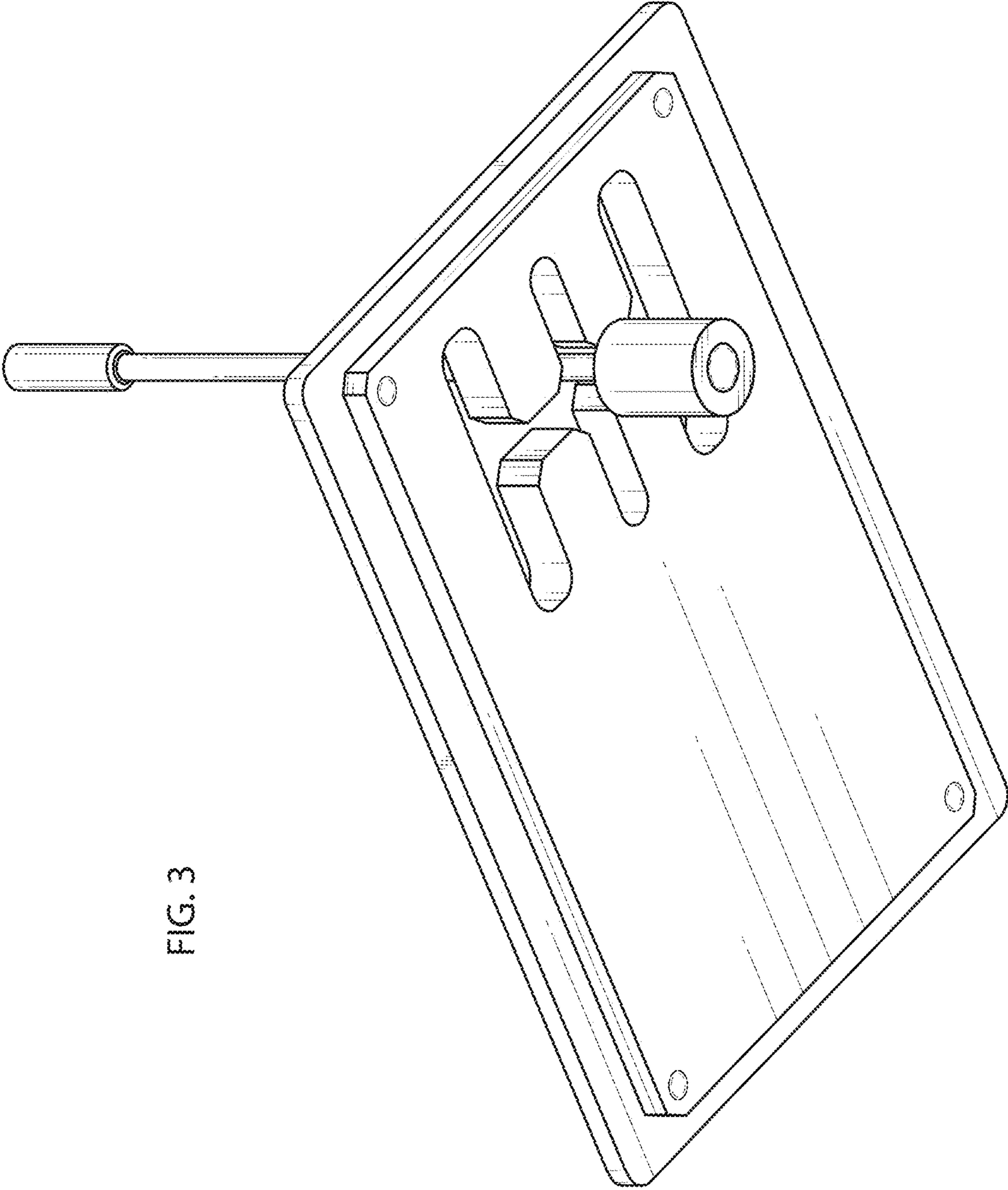


FIG. 3

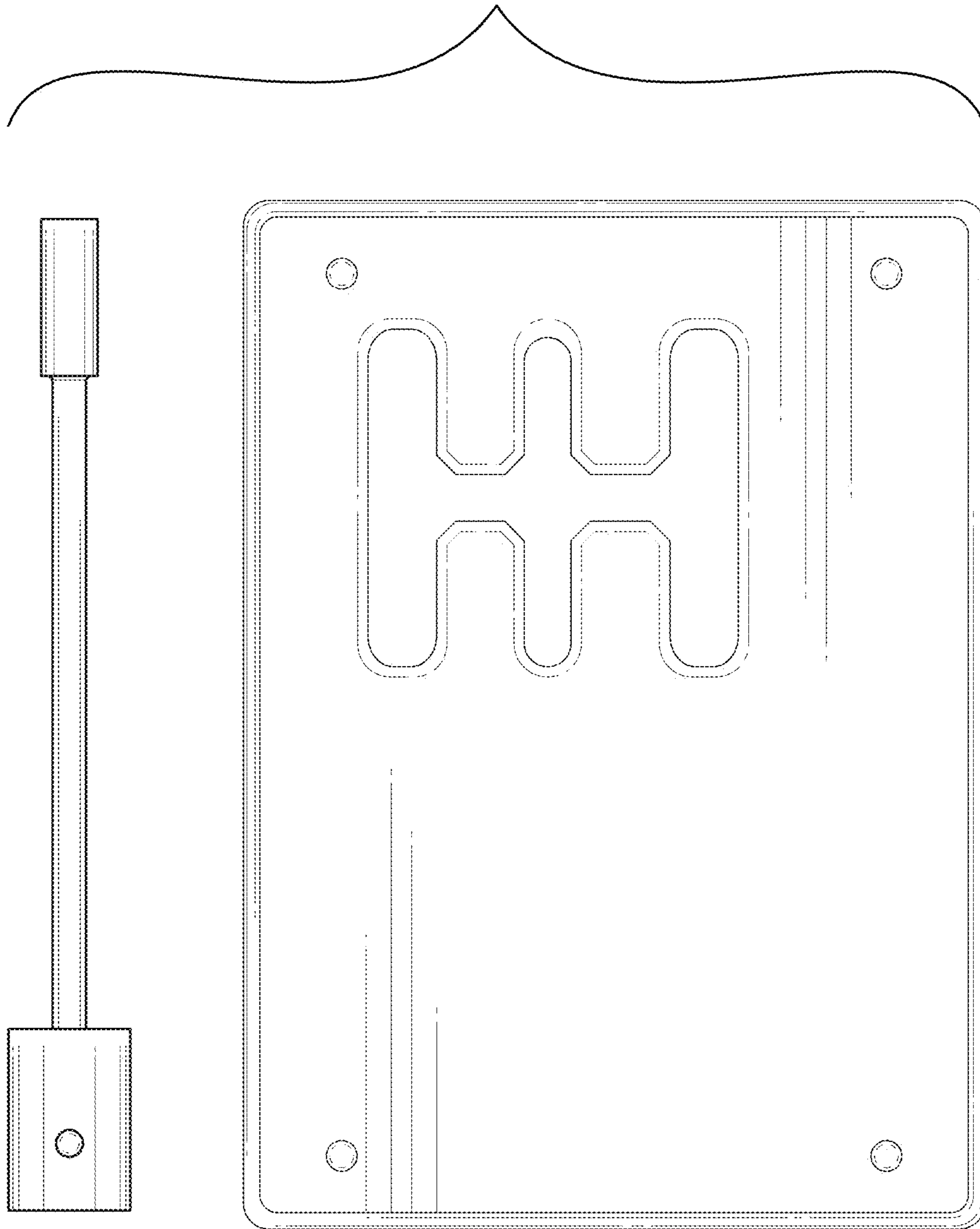


FIG. 4

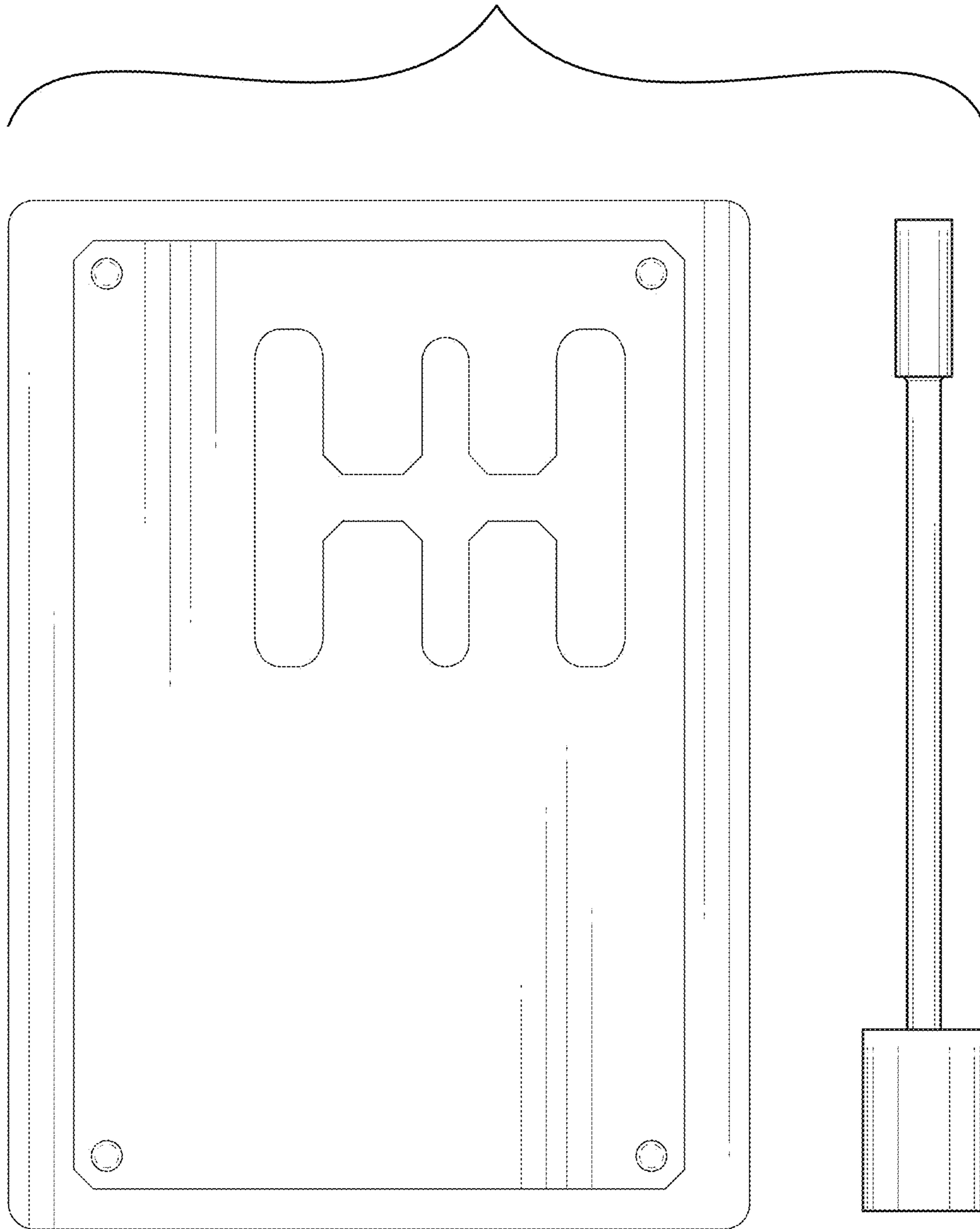


FIG. 5

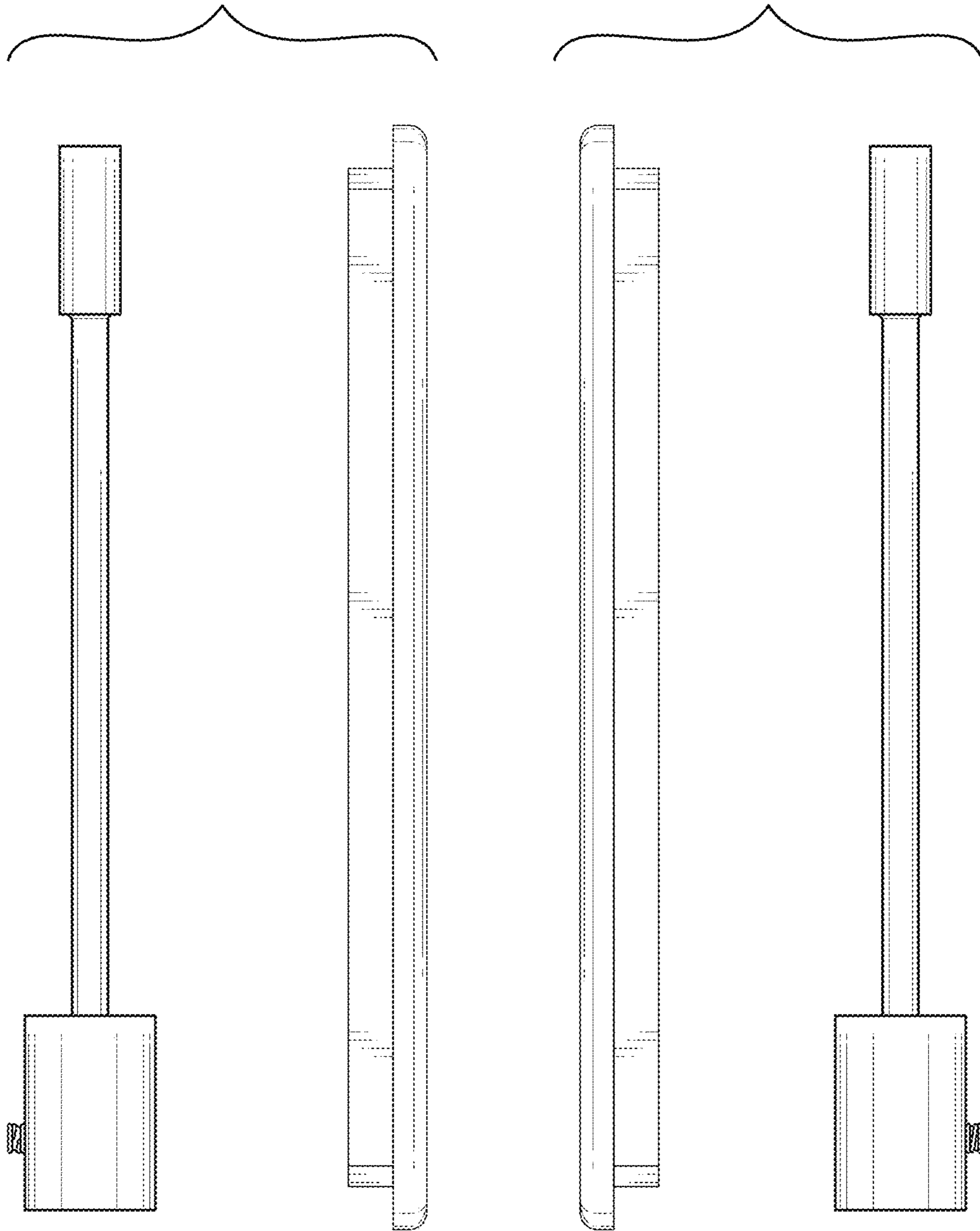


FIG. 6

FIG. 7

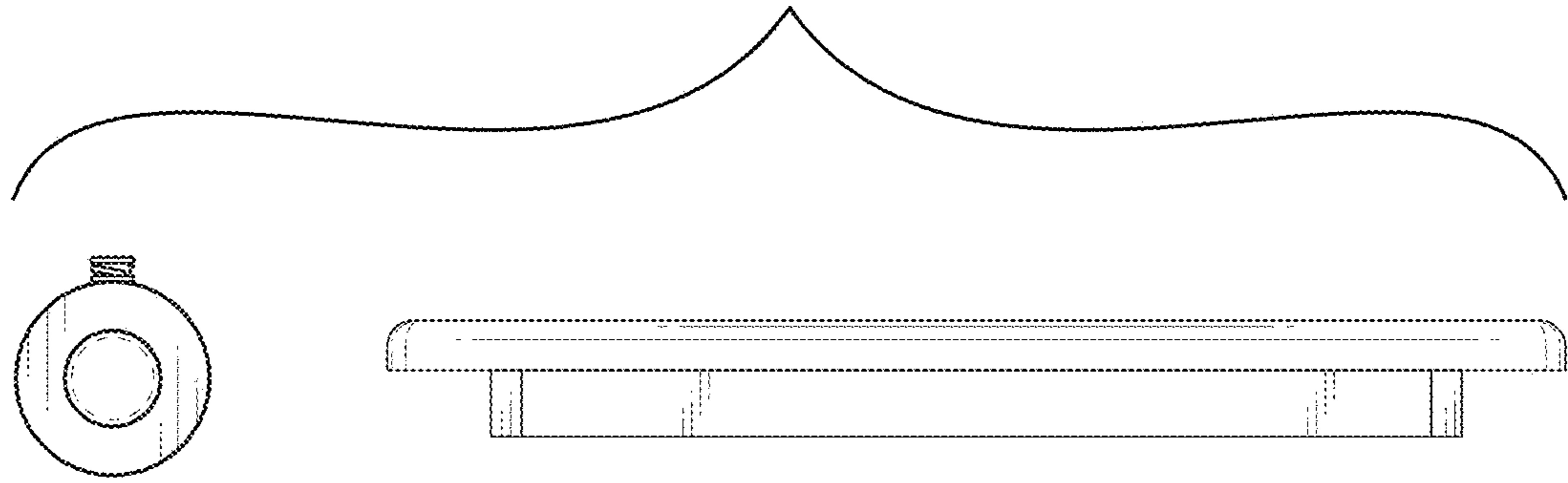


FIG. 8

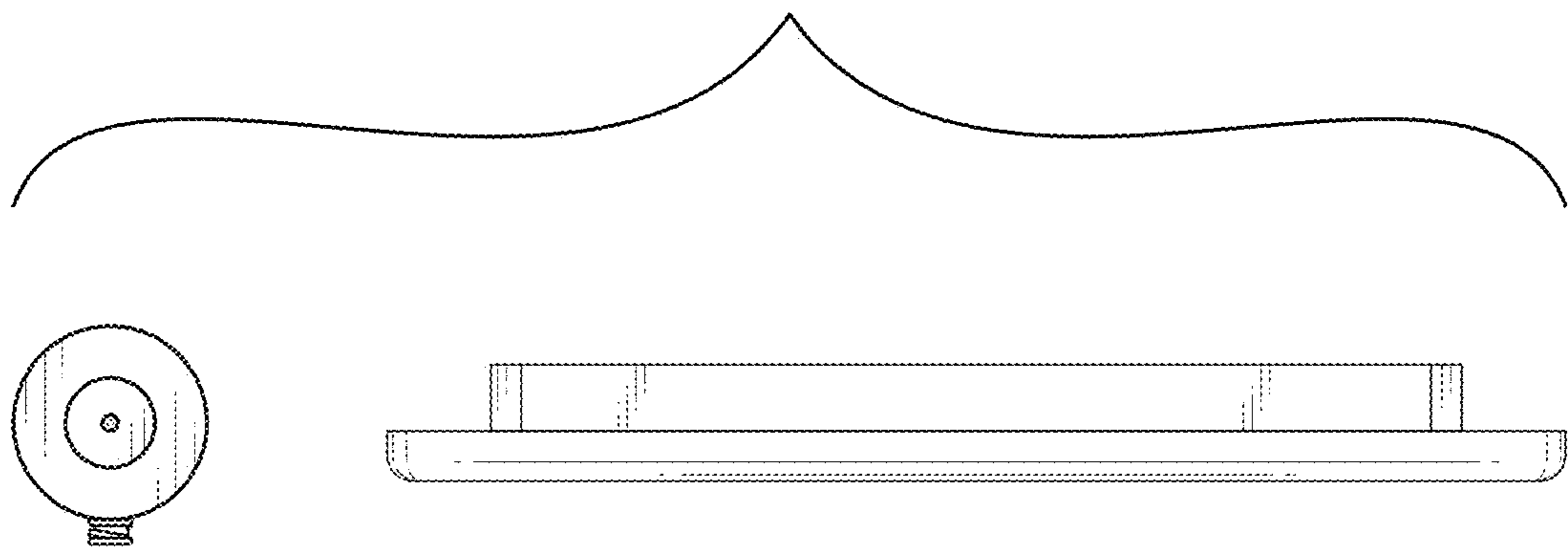


FIG. 9