



US00D949759S

(12) **United States Design Patent** (10) **Patent No.:** **US D949,759 S**
Anscheidt et al. (45) **Date of Patent:** **** Apr. 26, 2022**

(54) **VEHICLE HOOD**
(71) Applicant: **Bugatti International SA**, Luxembourg (LU)
(72) Inventors: **Achim Anscheidt**, Berlin (DE); **Etienne Salome**, Wolfsburg (DE)
(73) Assignee: **Bugatti International SA**, Luxembourg (LU)

(**) Term: **15 Years**
(21) Appl. No.: **29/718,551**
(22) Filed: **Dec. 26, 2019**

(30) **Foreign Application Priority Data**
Jul. 19, 2019 (EM) 006636627-0011

(51) **LOC (13) Cl.** **12-08**
(52) **U.S. Cl.**
USPC **D12/173**

(58) **Field of Classification Search**
USPC D12/86, 91, 93, 163, 164, 165, 166, 167, D12/169, 171, 172, 173, 190, 216
CPC .. B60Q 1/2696; B60Q 1/0017; B60Q 1/0094; B62D 25/12; F21Y 2115/10; F21S 41/151; F21S 41/19; F21S 45/10
See application file for complete search history.

(56) **References Cited**

U.S. PATENT DOCUMENTS

D910,508 S * 2/2021 Wiltshire D12/173
D913,171 S * 3/2021 Wiltshire D12/181
D918,804 S * 5/2021 Frank D12/173
D928,045 S * 8/2021 Rogers D12/173
D929,920 S * 9/2021 Metros D12/190
D935,962 S * 11/2021 Grand D12/173
D938,869 S * 12/2021 Frank D12/173
2006/0201727 A1 * 9/2006 Chan B62D 29/043
180/69.25

2013/0270870 A1 * 10/2013 O'Brien B62D 25/10
296/193.11
2014/0231161 A1 * 8/2014 Lehti B62D 25/105
180/68.1
2018/0251162 A1 * 9/2018 Overgaard B62D 25/24
2020/0130490 A1 * 4/2020 Lee B60J 10/24
2020/0130565 A1 * 4/2020 Lanini B62D 65/16

OTHER PUBLICATIONS

Hoods. (Design—© Questel) orbit.com. [Online PDF compilation of references] 58 pgs. Print Dates Range Mar. 24, 2021-Dec. 4, 2019 [Retrieved Jan. 21, 2022].*
Horncastle, Rowan. "These are Bugatti's Secret Concept Cars." Feb. 2020. Top Gear, <https://www.topgear.com/car-news/concept-these-are-bugattis-secret-concept-cars>.*
Smith, Benjamin. A Closer Look at the 1825 HP Bugatti Bolide. Nov. 2021. Money Inc. <https://moneyinc.com/1825-hp-bugatti-bolide/>.*
"Design Concept: Bugatti Type 251 Evo (2020)." Nov. 13, 2020. Auto Exotica, <https://wearemotordriven.com/inside-lane/design-concept-bugatti-type-251-evo-2020/>.*

* cited by examiner

Primary Examiner — Manpreet S Matharu
Assistant Examiner — Suzanne E Tisdell
(74) *Attorney, Agent, or Firm* — Blank Rome LLP

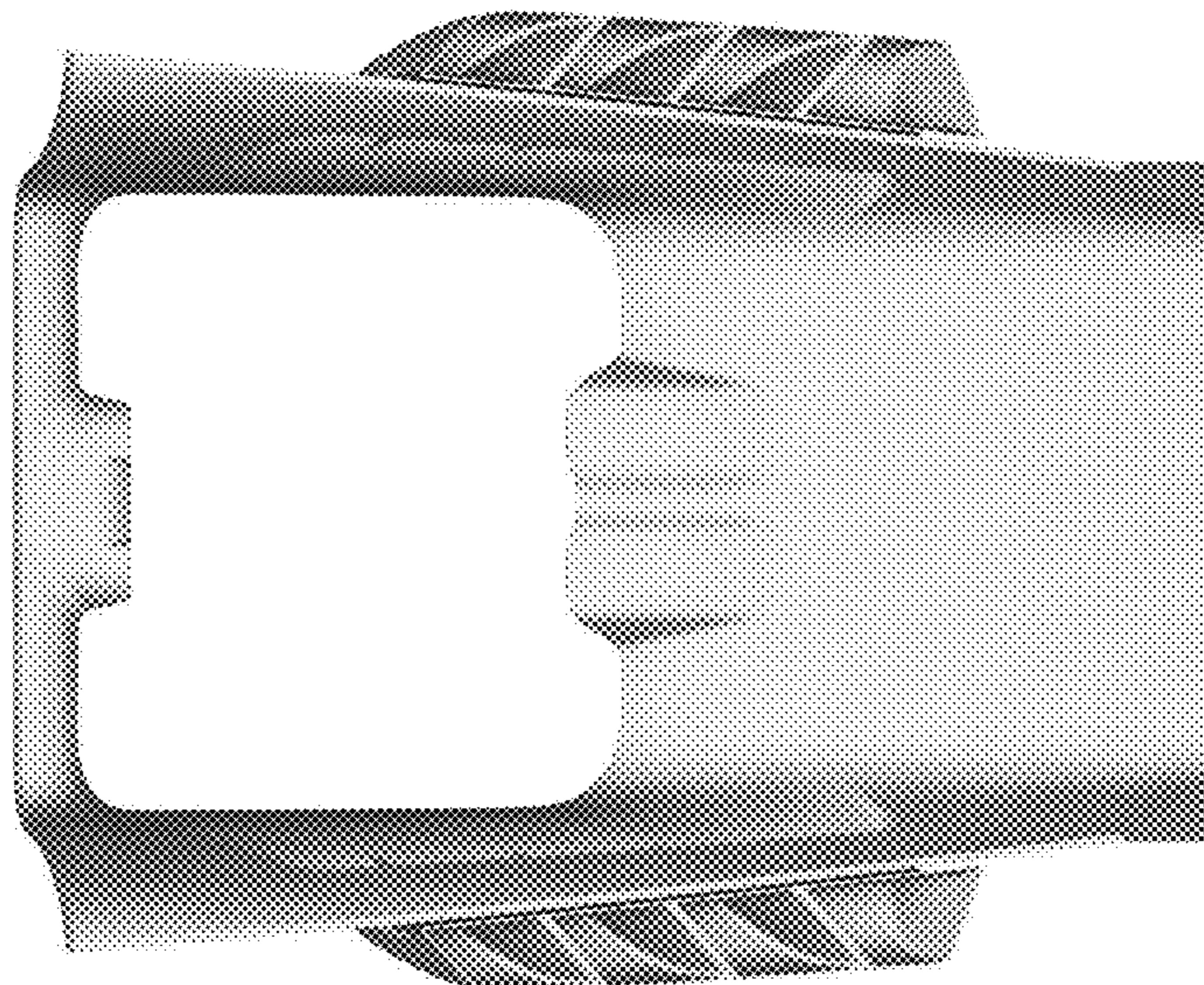
(57) **CLAIM**

The ornamental design for a vehicle hood, as shown and described.

DESCRIPTION

FIG. 1 is a top view of a vehicle hood of our present design; FIG. 2 is a rear view thereof; FIG. 3 is a top rear left perspective view thereof; FIG. 4 is a top front perspective view thereof; and, FIG. 5 is a top rear perspective view thereof.

1 Claim, 5 Drawing Sheets



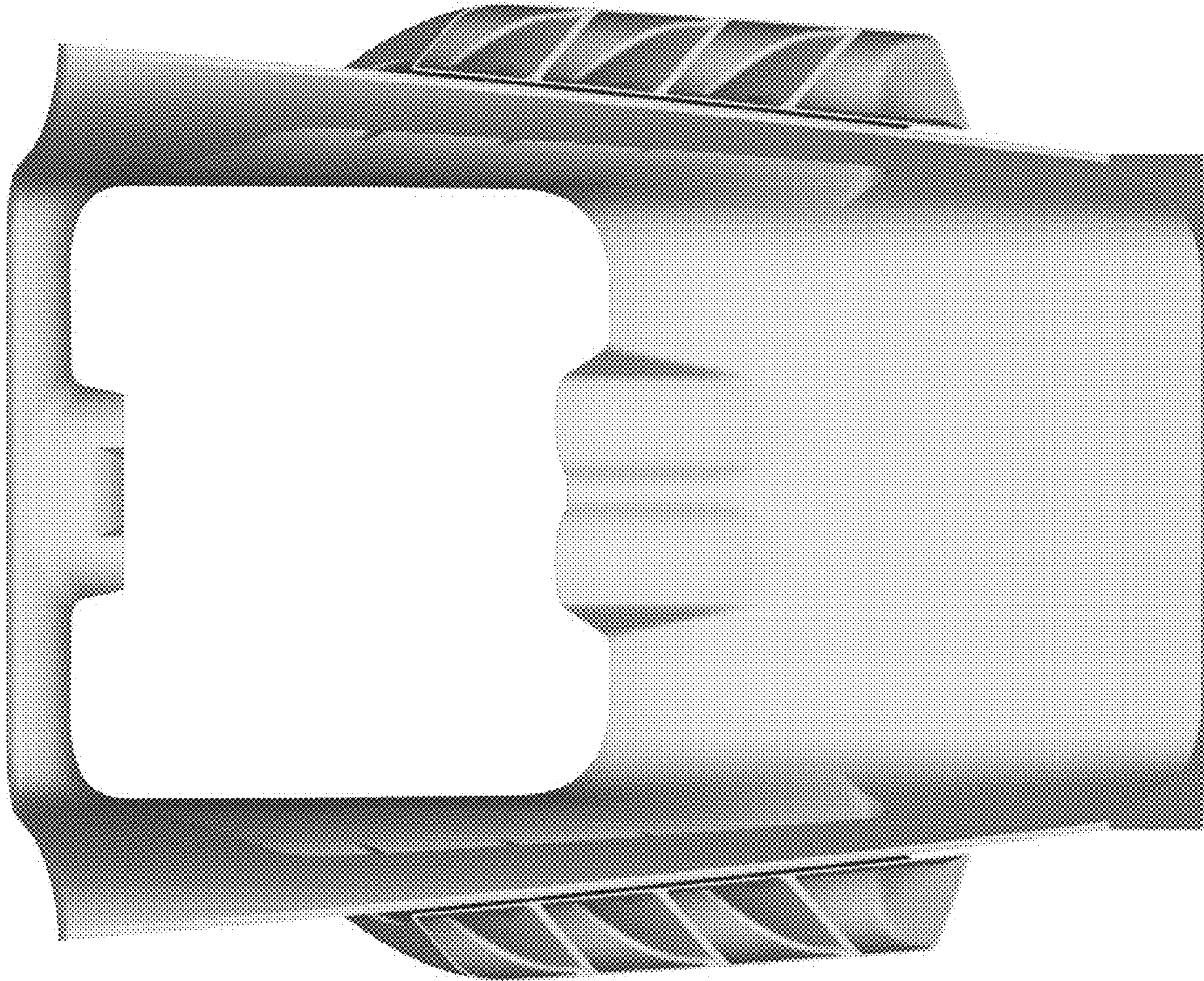


FIG 1

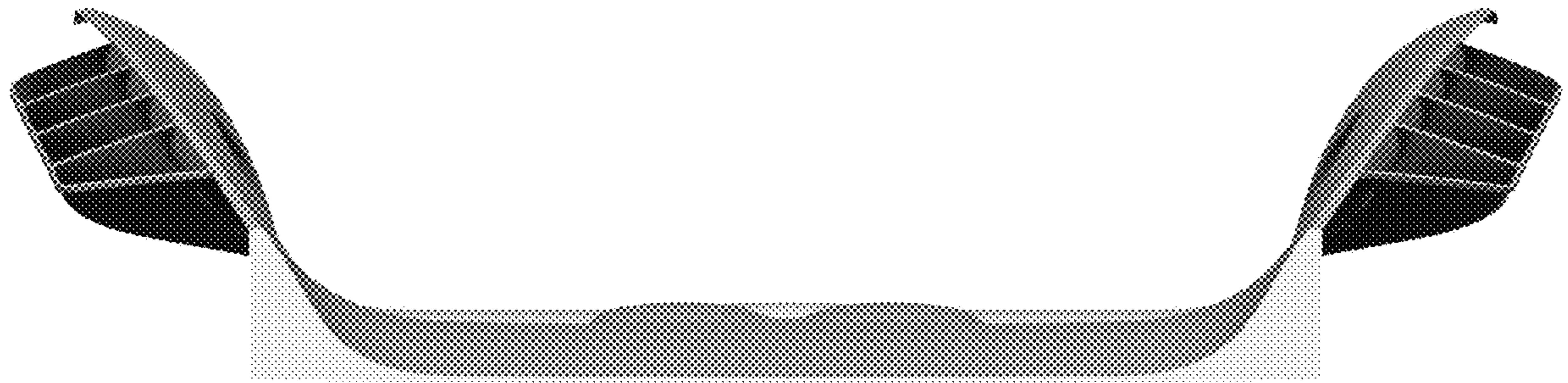


FIG 2

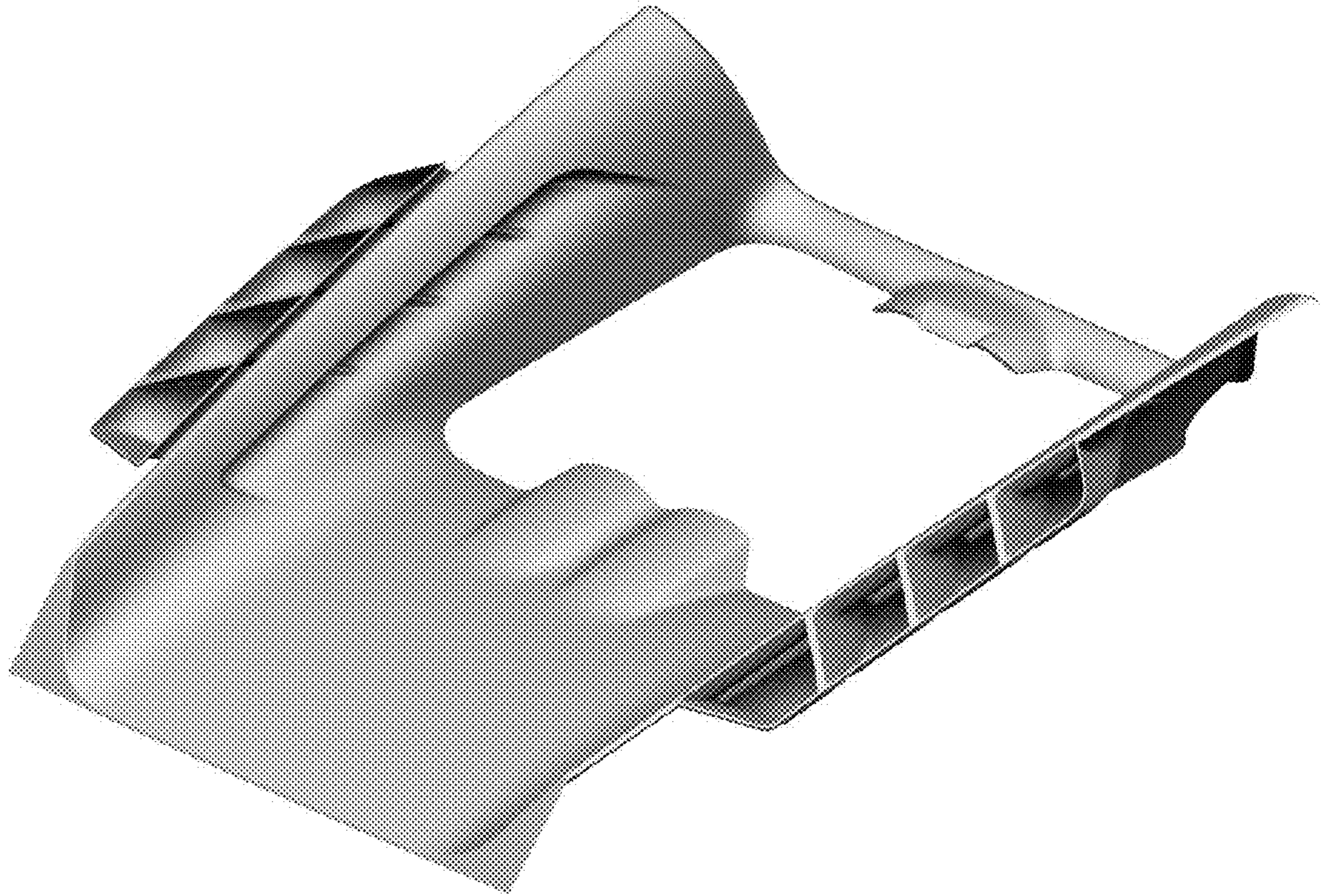


FIG 3

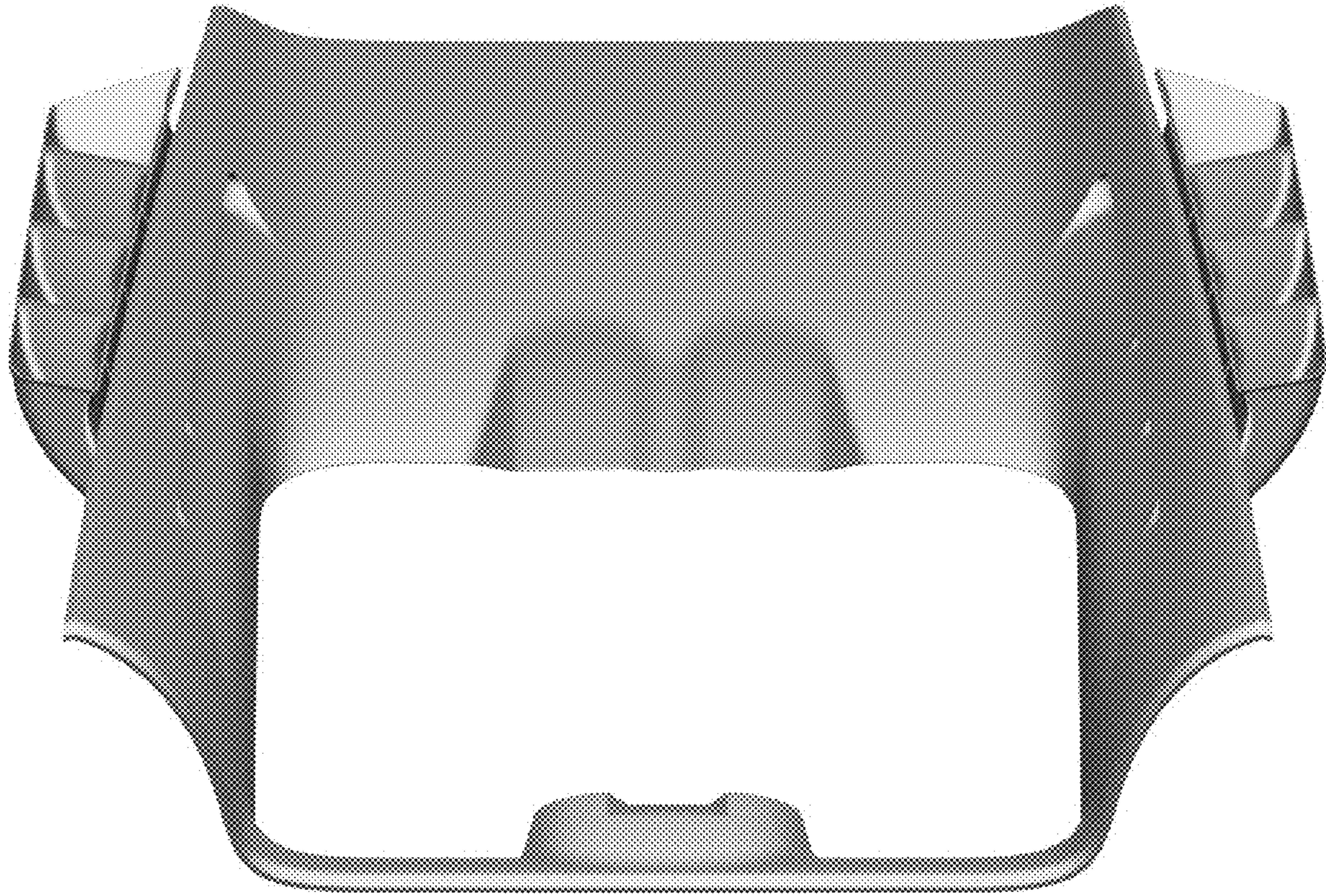


FIG 4

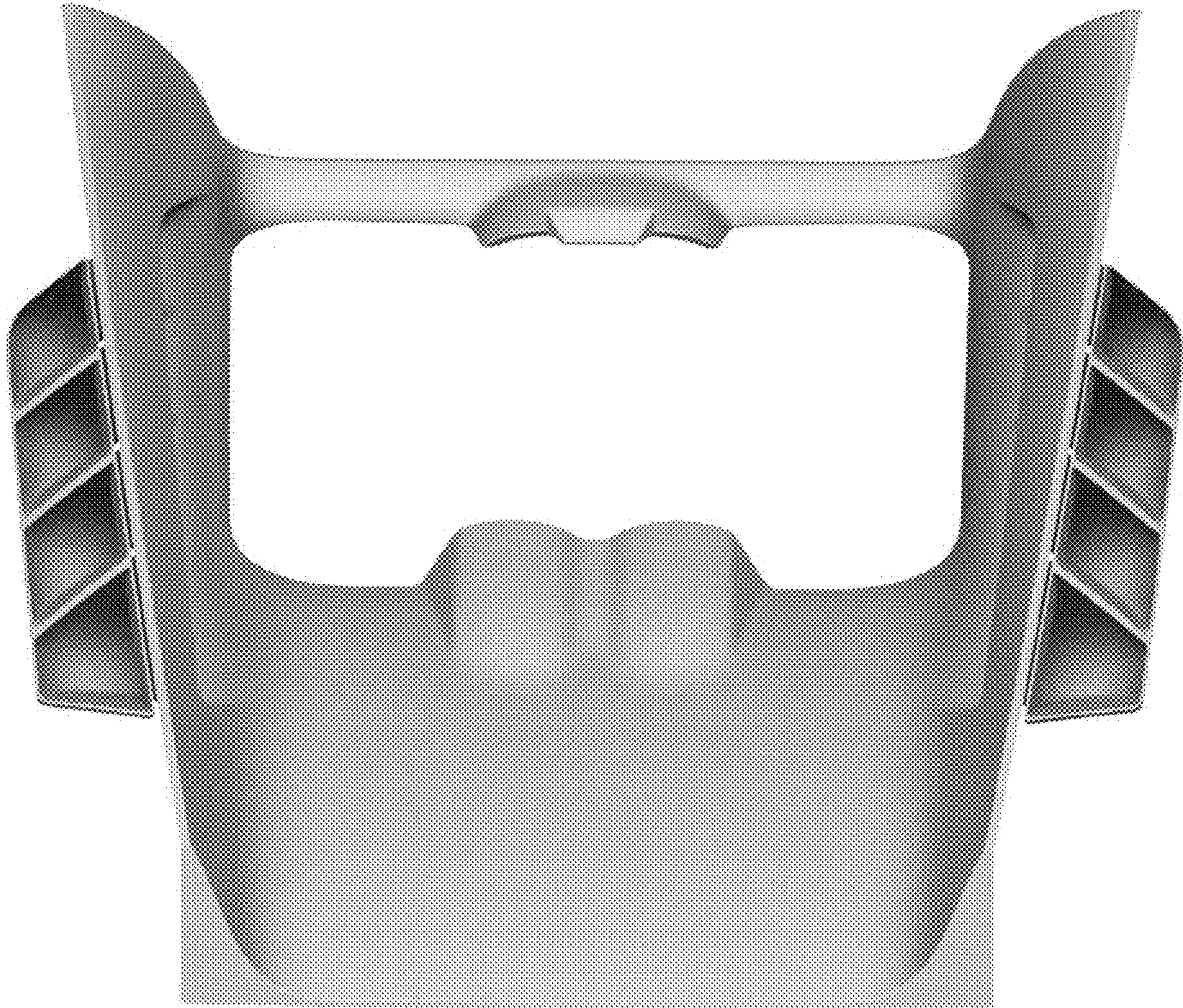


FIG 5