



US00D949758S

(12) **United States Design Patent**
Lee et al.

(10) **Patent No.:** **US D949,758 S**
(45) **Date of Patent:** **** Apr. 26, 2022**

(54) **FRONT BUMPER COVER FOR VEHICLES**
(71) Applicants: **HYUNDAI MOTOR COMPANY**,
Seoul (KR); **KIA MOTORS**
CORPORATION, Seoul (KR)
(72) Inventors: **Seung-Jin Lee**, Hwaseong-si (KR);
Seung-Yeon Lee, Gwacheon-si (KR)
(73) Assignees: **Hyundai Motor Company**, Seoul
(KR); **Kia Motors Corporation**, Seoul
(KR)
(**) Term: **15 Years**

6,676,179 B2 * 1/2004 Sato B60R 19/12
293/115
6,886,872 B2 * 5/2005 Matsumoto B60R 19/12
293/115
7,192,068 B1 * 3/2007 Kim B60R 19/18
293/133
7,434,872 B2 * 10/2008 Steller B60R 19/18
296/155
8,132,851 B2 * 3/2012 Steller B60R 19/12
296/187.04
8,157,303 B2 * 4/2012 Fortin B62D 25/085
293/115
9,079,551 B2 * 7/2015 Imamura B60R 19/24
9,580,030 B2 * 2/2017 Hammer B60R 19/18
9,821,739 B2 * 11/2017 Yabu B60R 19/18
D817,826 S * 5/2018 Seo D12/169
(Continued)

(21) Appl. No.: **35/510,927**
(22) Filed: **Nov. 19, 2020**

(80) **Hague Agreement Data**
Int. Filing Date: **Nov. 19, 2020**
Int. Reg. No.: **DM/211468**
Int. Reg. Date: **Nov. 19, 2020**
Int. Reg. Pub. Date: **Dec. 11, 2020**

(51) **LOC (13) Cl.** **12-16**
(52) **U.S. Cl.**
USPC **D12/169**
(58) **Field of Classification Search**
USPC D12/86, 90, 91, 92, 163, 164, 169, 171,
D12/196, 216
CPC B60R 19/02; B60R 19/12; B60R 19/18;
B60R 19/24; B60R 19/52; B60R 19/56;
B60R 2019/007; B62D 25/0845
See application file for complete search history.

(56) **References Cited**
U.S. PATENT DOCUMENTS
4,597,603 A * 7/1986 Trabert B60K 11/08
293/115
5,071,500 A * 12/1991 Kumagai B29C 66/7212
156/152

OTHER PUBLICATIONS

“Hyundai—2022 Tucson.” Hyundai., Apr. 13, 2021 [online], [retrieved on Nov. 29, 2021]. Retrieved from the Internet <URL: <https://cdn.dealereprocess.org/cdn/brochures/hyundai/2022-tucson.pdf>>.*
(Continued)

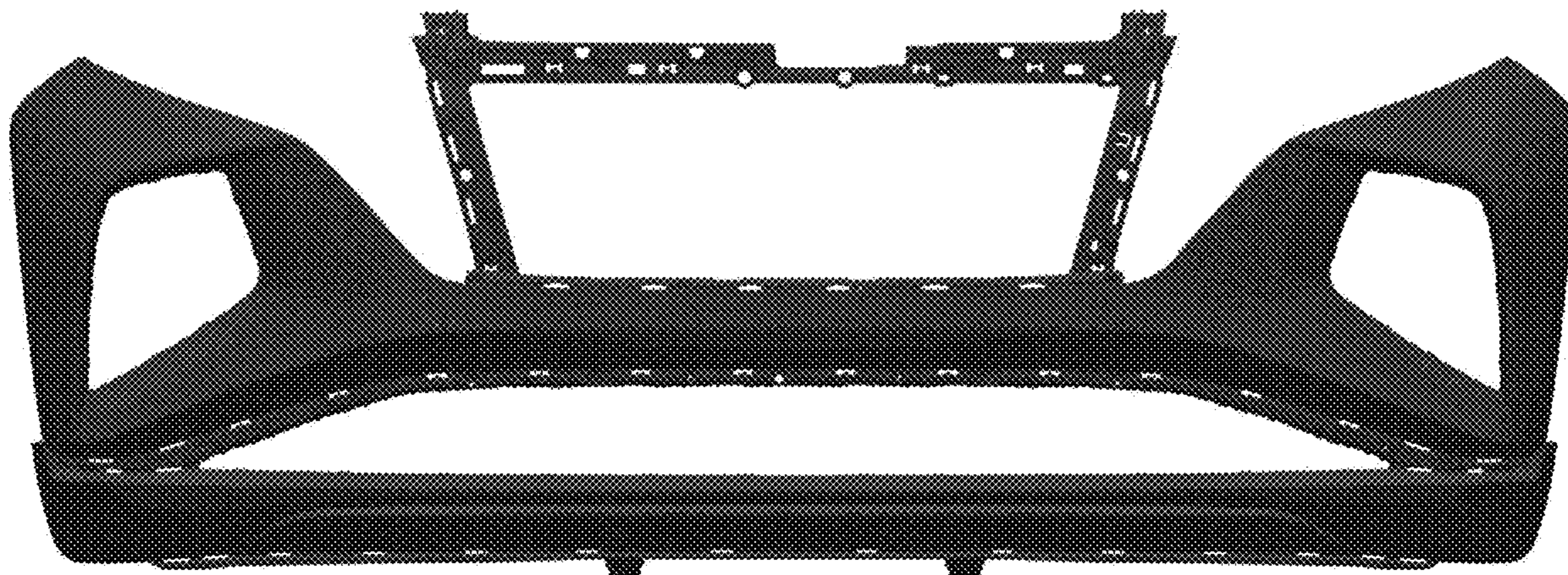
Primary Examiner — Darlington Ly
(74) *Attorney, Agent, or Firm* — Mintz Levin Cohn Ferris Glovsky and Popeo, P.C.; Peter F. Corless

(57) **CLAIM**
The ornamental design for a front bumper cover for vehicles, as shown and described.

DESCRIPTION

1. Front bumper cover for vehicles
1.1 is a front perspective view of a front bumper cover for vehicles embodying our new design;
1.2 is a front elevation view thereof;
1.3 is a rear elevation view thereof;
1.4 is a right side elevation view thereof;
1.5 is a left side elevation view thereof;
1.6 is a top plan view thereof; and
1.7 is a bottom plan view thereof.

1 Claim, 7 Drawing Sheets



(56)

References Cited

U.S. PATENT DOCUMENTS

D823,748	S	*	7/2018	Sunhwan	D12/169
D825,411	S	*	8/2018	Gueler	D12/169
D827,515	S	*	9/2018	Whang	D12/169
D839,154	S	*	1/2019	Kim	D12/169
D850,996	S	*	6/2019	Betancourt	D12/169
D856,226	S	*	8/2019	Shin	D12/169
D856,873	S	*	8/2019	Kim	D12/169
D870,610	S	*	12/2019	Tonello	D12/169
D870,613	S	*	12/2019	Lee	D12/169
D871,282	S	*	12/2019	Lee	D12/169
D871,983	S	*	1/2020	Kim	D12/169
10,596,994	B2	*	3/2020	Yoshimoto	B60R 19/52
D881,083	S	*	4/2020	Blanski	D12/169
D883,152	S	*	5/2020	Metros	D12/169
D892,687	S	*	8/2020	Kim	D12/169
D909,931	S	*	2/2021	Toriyama	D12/169
D915,958	S	*	4/2021	Lee	D12/169
D918,792	S	*	5/2021	Koo	D12/169

OTHER PUBLICATIONS

“Hyundai Tucson.” Hyundai., Jan. 21, 2021 [online], [retrieved on Nov. 29, 2021]. Retrieved from the Internet <URL: <https://www.hyundai.com/content/dam/hyundai/ww/en/images/footer/downloads/suv/e-brochure/tucson-ebrochure-2021.pdf>>.*

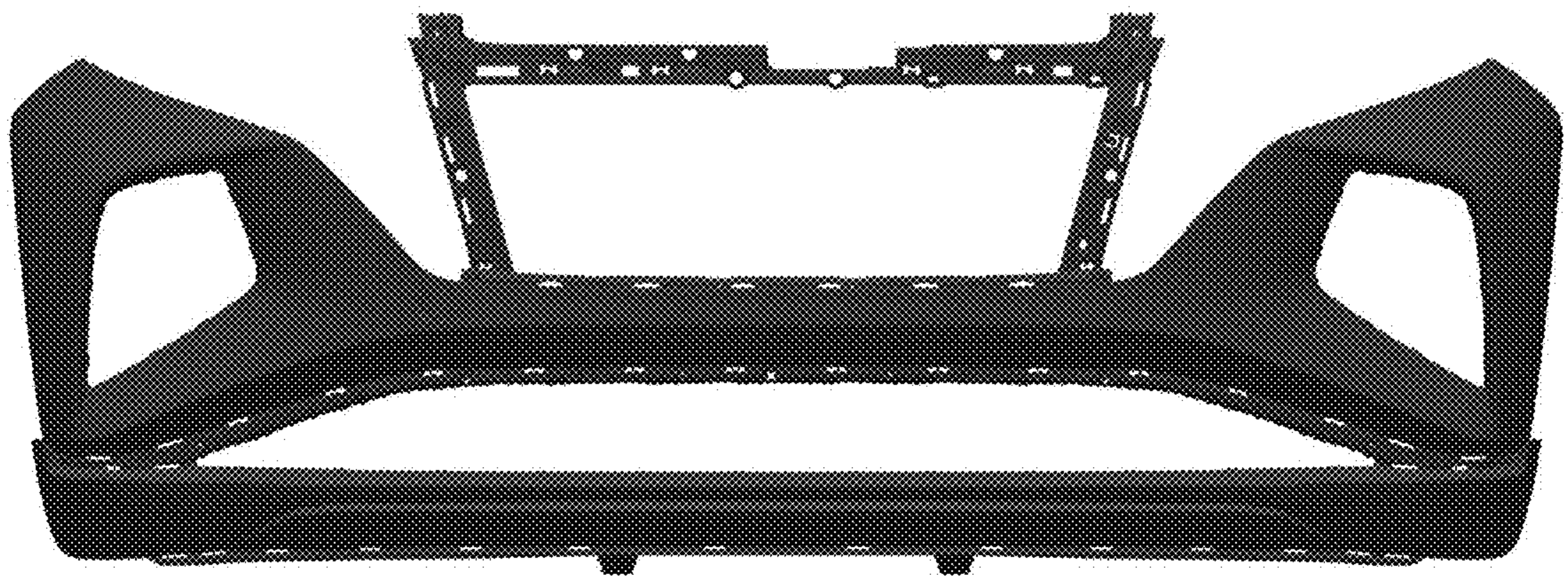
“2020 Hyundai Tucson.” Hyundai., Aug. 2, 2019 [online], [retrieved on Nov. 29, 2021]. Retrieved from the Internet <URL: <https://cdn.dealereprocess.org/cdn/brochures/hyundai/2020-tucson.pdf>>.*

* cited by examiner

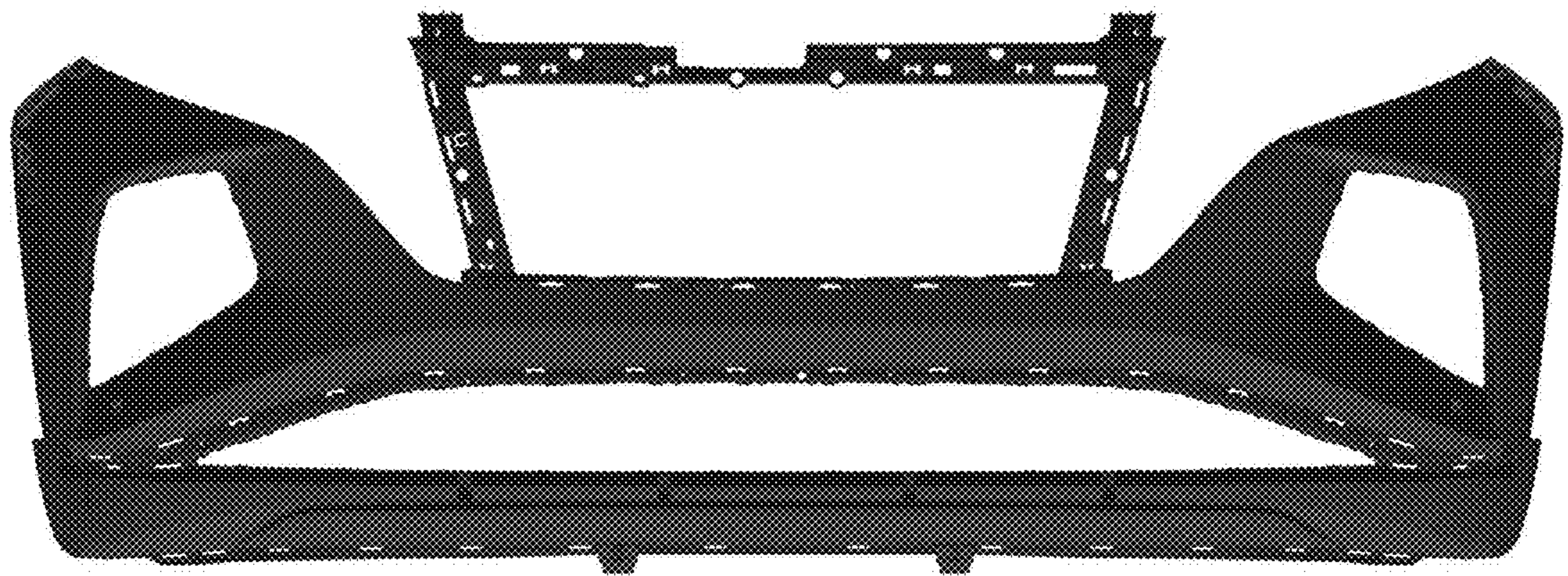
1.1



1.2



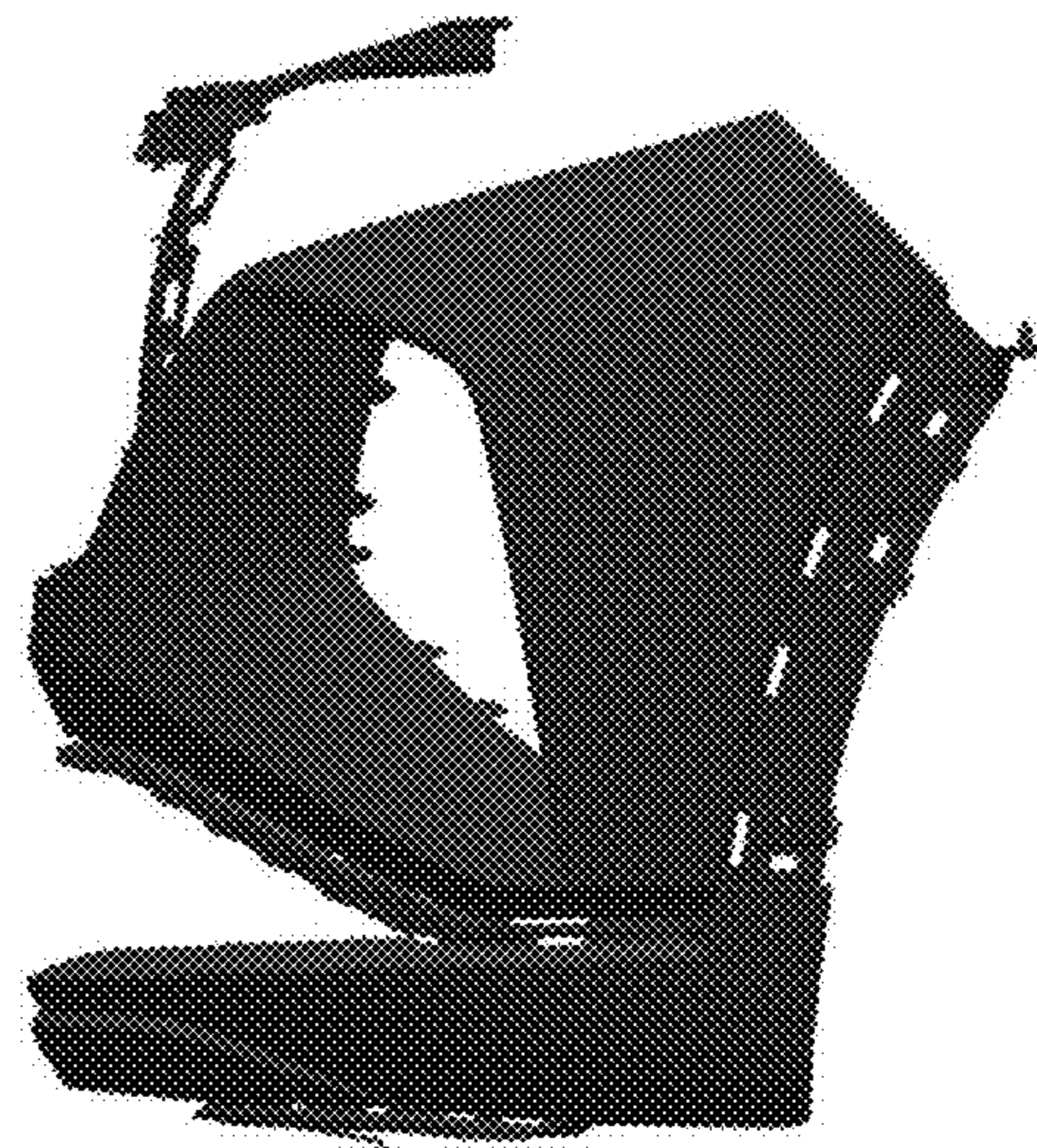
1.3



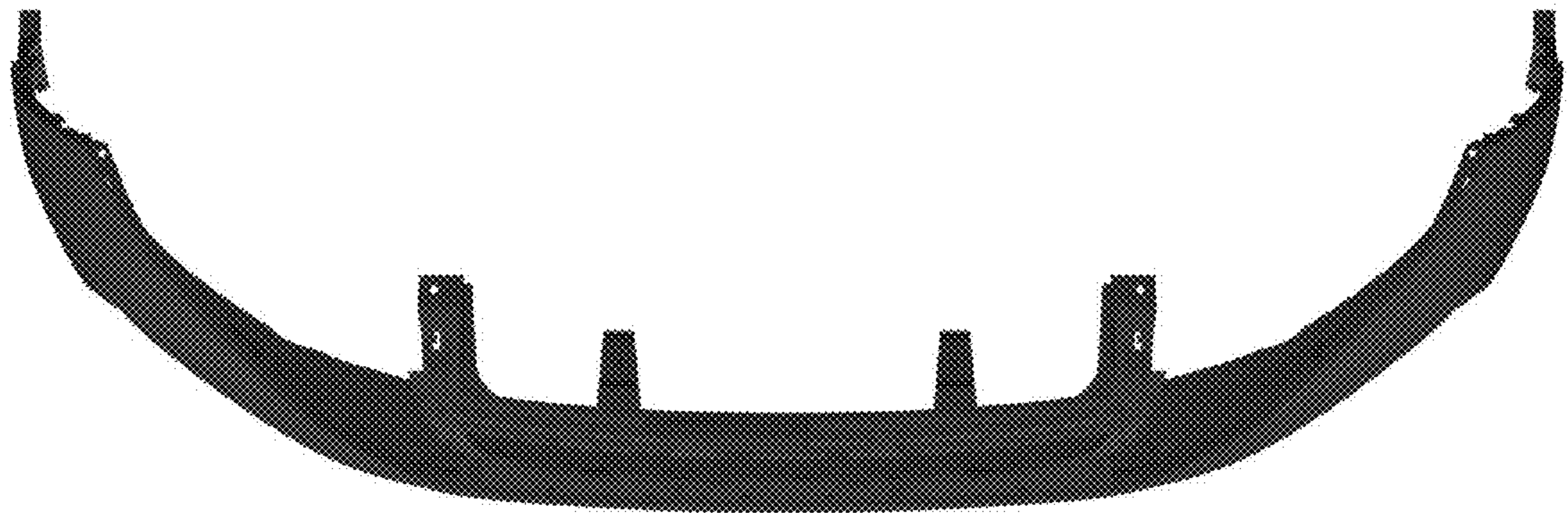
1.4



1.5



1.6



1.7

