



US00D949756S

(12) **United States Design Patent** (10) **Patent No.:** **US D949,756 S**
Kaoud et al. (45) **Date of Patent:** **** Apr. 26, 2022**

(54) **VEHICLE FRONT LOWER GRILLE**

(71) Applicant: **Ford Global Technologies, LLC,**
Dearborn, MI (US)

(72) Inventors: **Ehab N. Kaoud,** Livonia, MI (US);
William K. Moore, West Bloomfield,
MI (US); **David Root,** Wyandotte, MI
(US); **Joshua Henry,** Detroit, MI (US);
Marc Cammeyer, Berkley, MI (US)

(73) Assignee: **Ford Global Technologies, LLC,**
Dearborn, MI (US)

(**) Term: **15 Years**

(21) Appl. No.: **29/723,959**

(22) Filed: **Feb. 12, 2020**

(51) **LOC (13) Cl.** **12-06**

(52) **U.S. Cl.**
USPC **D12/163**

(58) **Field of Classification Search**
USPC D12/86, 90, 91, 92, 163, 169, 171, 196,
D12/216

CPC B62D 25/08; B62B 9/16; B60K 11/08;
B60R 19/52

See application file for complete search history.

(56) **References Cited**

U.S. PATENT DOCUMENTS

D606,461 S	12/2009	Richards	
D720,667 S	1/2015	Platto	
D823,179 S	7/2018	Platto	
D860,877 S *	9/2019	Tang	D12/163
D864,801 S *	10/2019	Morita	D12/163
D870,000 S *	12/2019	Joudo	D12/163
D874,359 S *	2/2020	Karras	D12/163
D889,325 S *	7/2020	Geoppel	D12/163
D893,360 S *	8/2020	Escobedo	D12/163

D903,541 S *	12/2020	Russo	D12/163
D903,543 S *	12/2020	Myrberg	D12/163
D908,050 S *	1/2021	Gittin, Jr.	D12/163
D910,501 S *	2/2021	Cox	D12/163
D913,869 S *	3/2021	Piaskowski	D12/163
D918,789 S *	5/2021	Izard	D12/163
D919,490 S *	5/2021	Ponomarenko	D12/163

OTHER PUBLICATIONS

Vehicle Grilles. (Design—© Questel) orbit.com. [Online PDF compilation of references] 27pgs. Print Dates Range Dec. 14, 2020-Jun. 5, 2020 [Retrieved Aug. 11, 2021.*
Gonzales, Matt. "2018 Ford F150 Grille Inserts." Mar. 29, 2018. Youtube. <https://www.youtube.com/watch?v=ATLZY-9PcNQ>.*

(Continued)

Primary Examiner — Manpreet S Matharu
Assistant Examiner — Suzanne E Tisdell

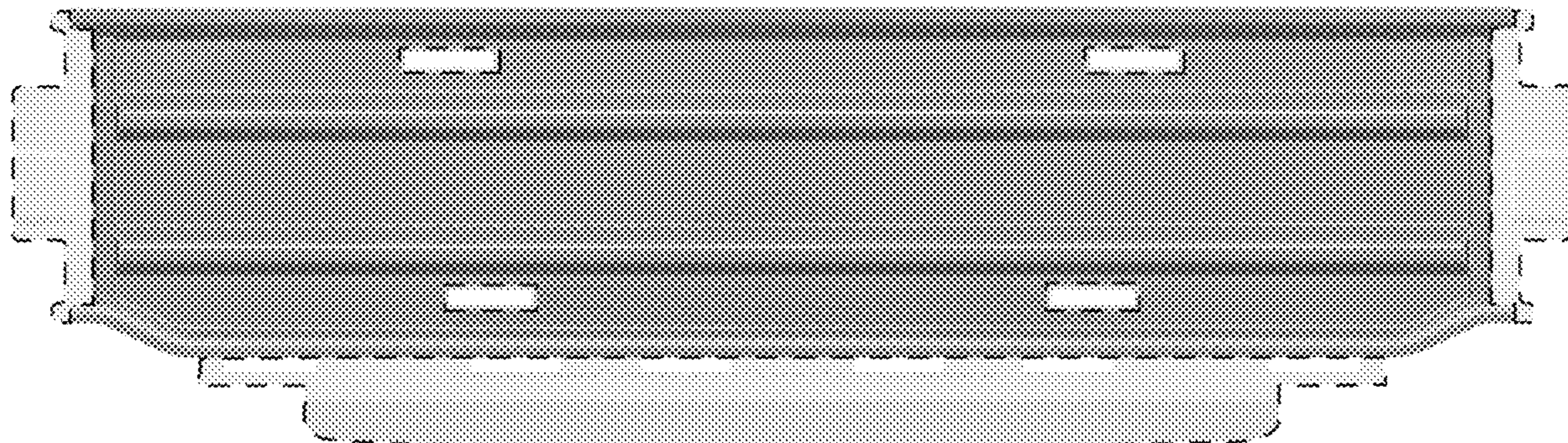
(57) **CLAIM**

The ornamental design for a vehicle front lower grille, as shown and described.

DESCRIPTION

FIG. 1 is a front elevational view of a vehicle front lower grille showing our new design;
FIG. 2 is a left side elevational view thereof;
FIG. 3 is a right side elevational view thereof;
FIG. 4 is a top plan view thereof;
FIG. 5 is a bottom plan view thereof;
FIG. 6 is a bottom, front and left side perspective view thereof; and,
FIG. 7 is a top, front and left side perspective view thereof. Broken lines included in the drawing form an unclaimed boundary around the claimed design. Neither the broken line itself nor the portion of the vehicle front lower grille in half-tone shading form any part of the claimed design.

1 Claim, 7 Drawing Sheets



(56)

References Cited

OTHER PUBLICATIONS

“Starkey Ford F-150 Raptor Style Grille Light Kit.” Before Apr. 27, 2019. Starkey Products, <https://www.starkey-products.com/starkey-ford-f-150-raptor-style-grille-lights-kit-2018-2019-xl-xlt-lariat>.*

“Boost Bars.com F150 Lower Grille Kit Installation.” Jul. 24, 2014. Youtube. https://www.youtube.com/watch?v=eB0H0_2c06Q&t=3s.*

Andrew Wendler, The 2021 Ford F-150, Spied Testing, Looks Pretty Evolutionary, May 8, 2019 <https://www.caranddriver.com/news/a27409108/2021-ford-f-150-pickup-spied/>.

* cited by examiner

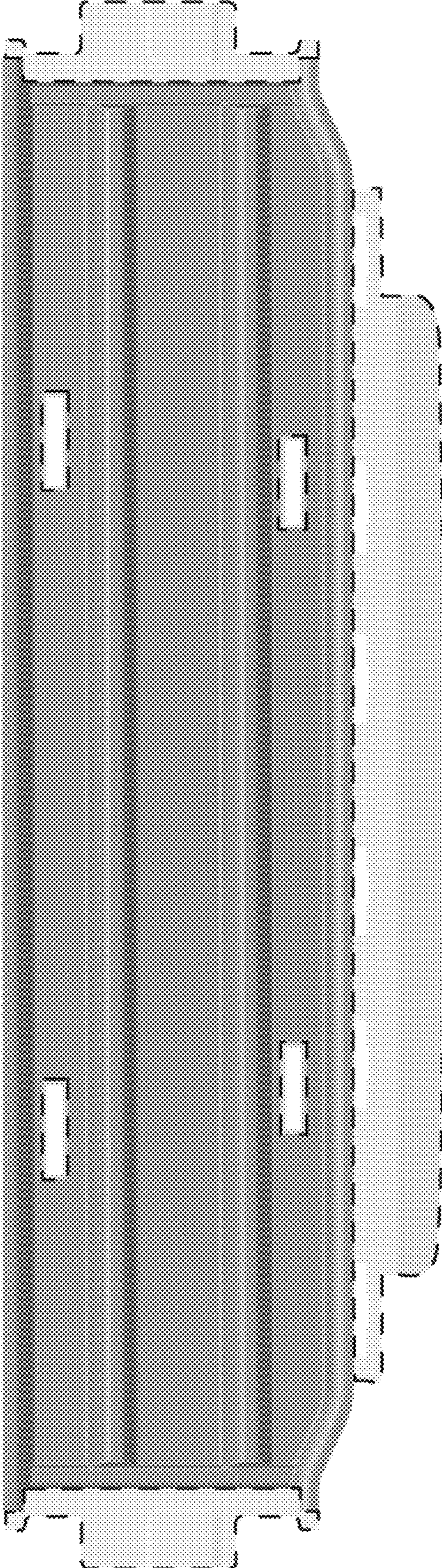


Fig. 1



FIG. 2

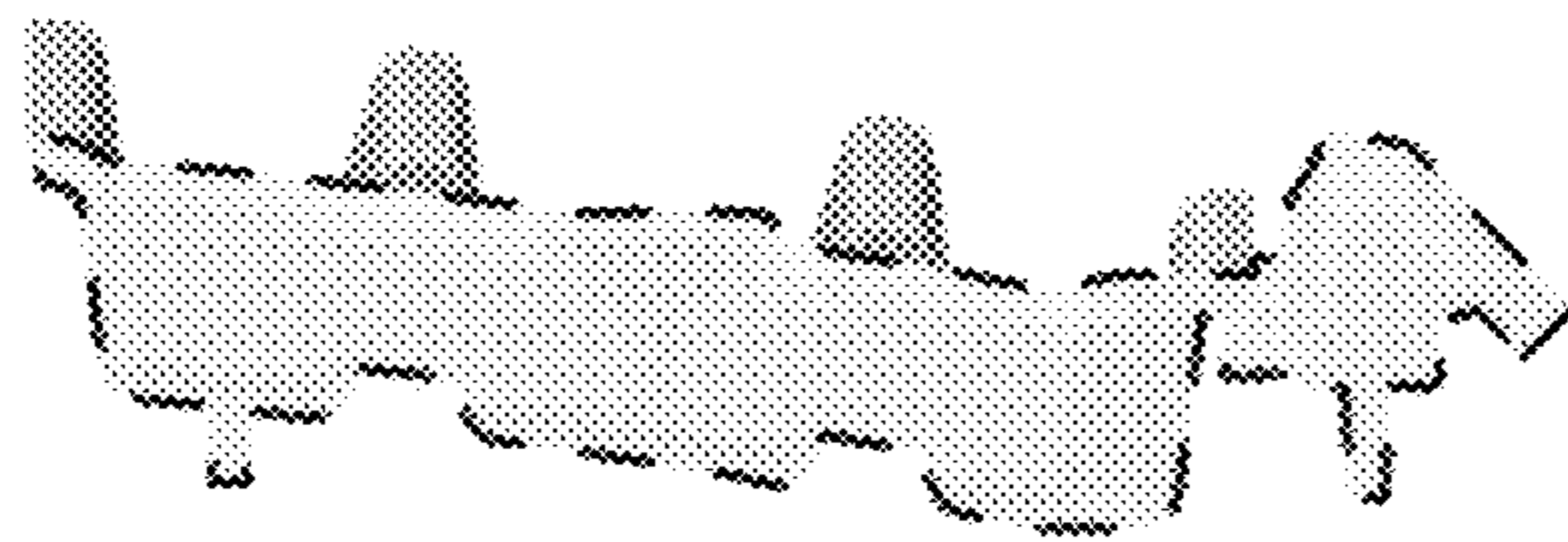


Fig. 3

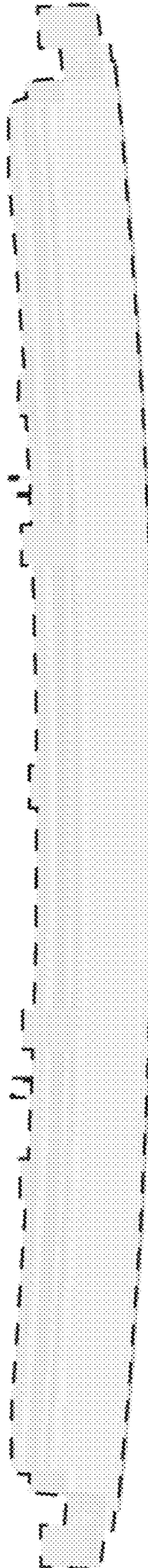


Fig.4

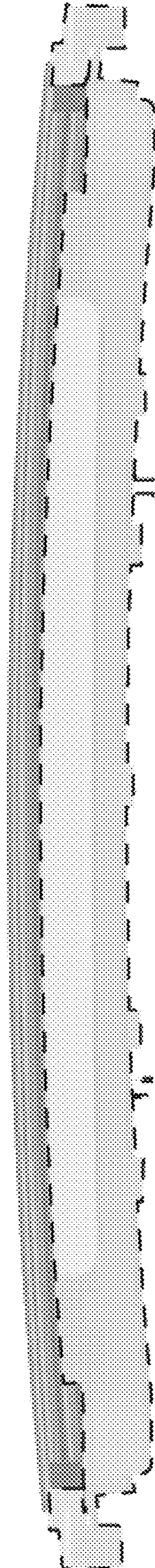


Fig. 5

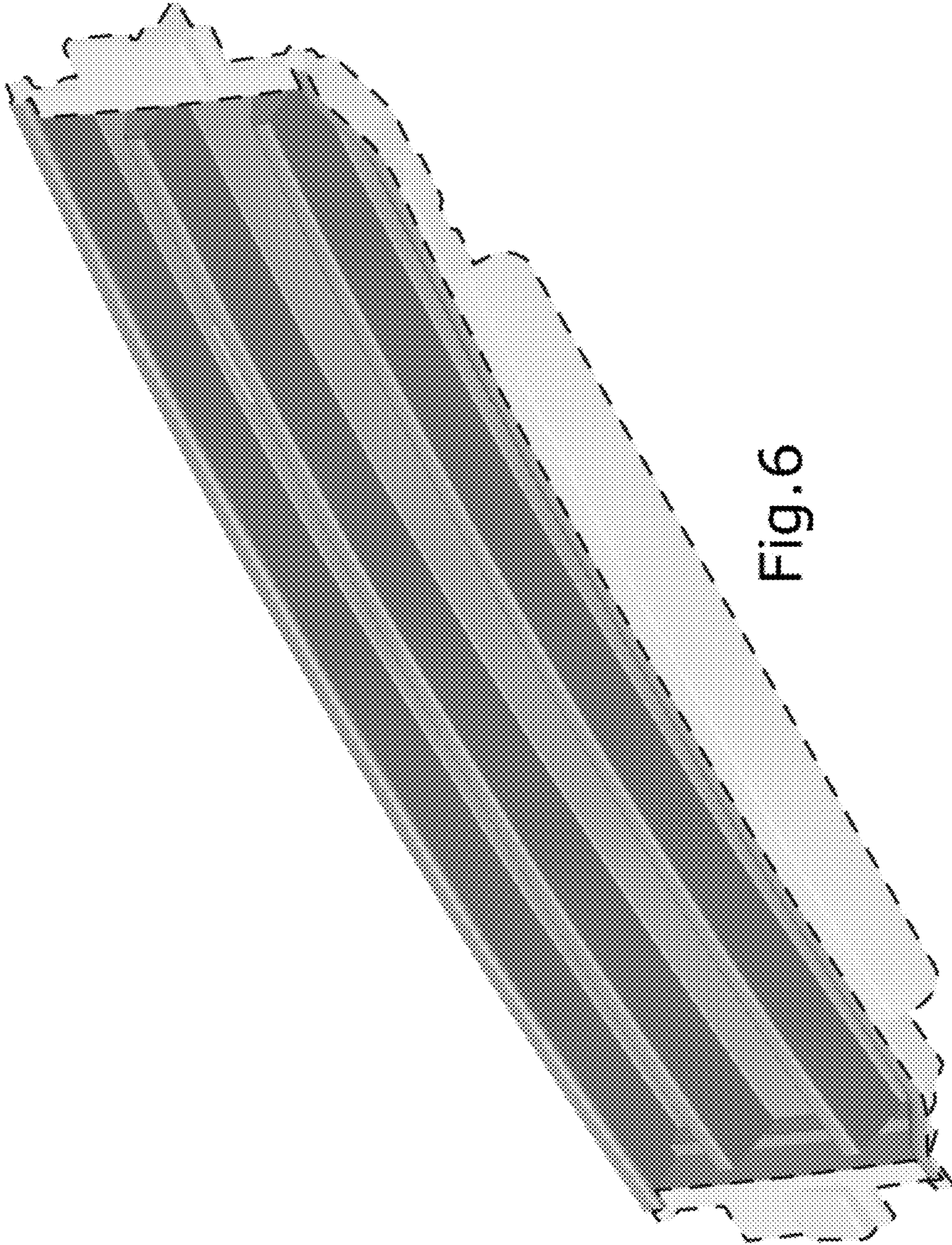


Fig. 6

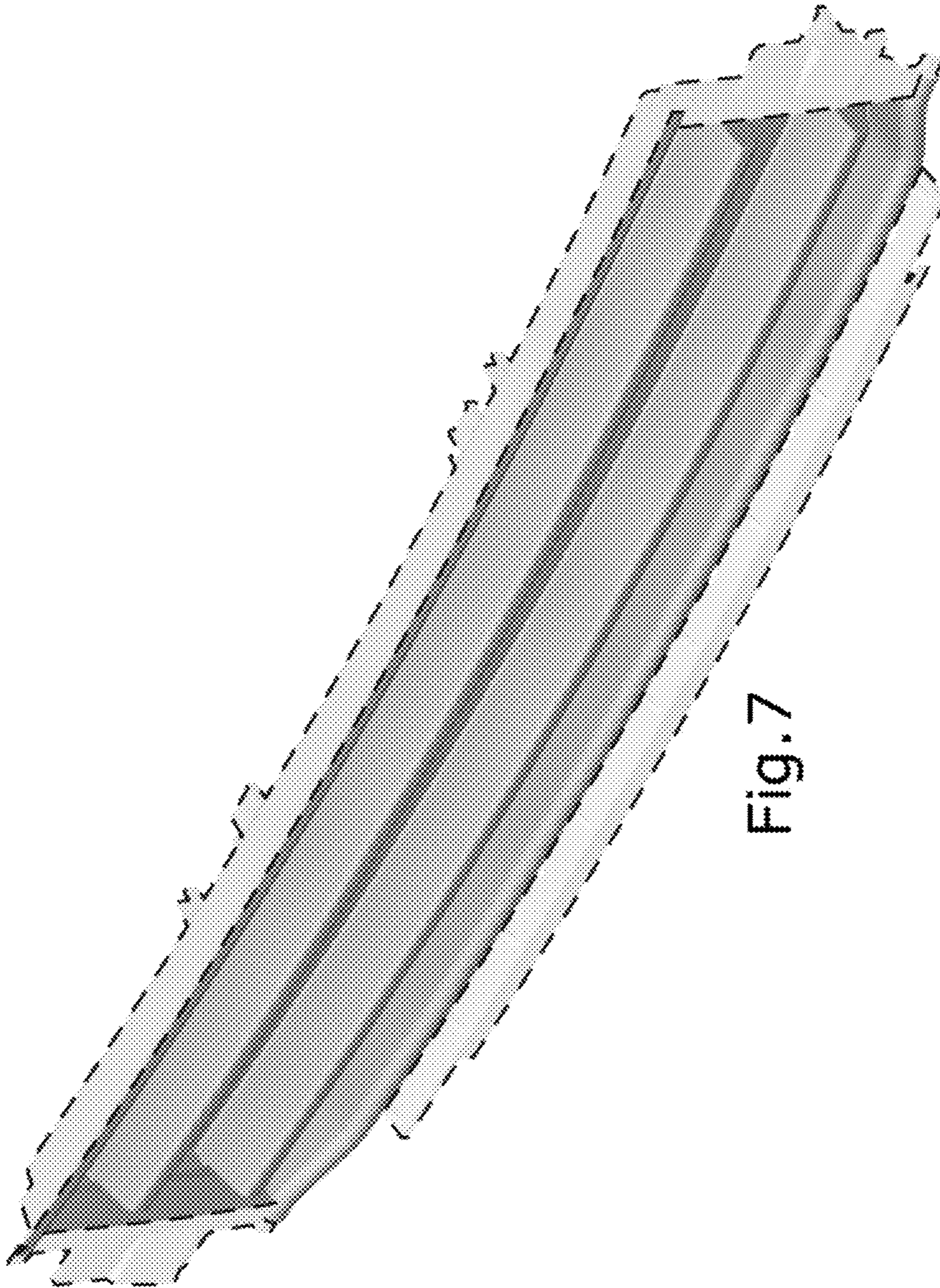


Fig. 7