

US00D949755S

(12) **United States Design Patent** (10) **Patent No.:** **US D949,755 S**  
**Kaoud et al.** (45) **Date of Patent:** **\*\* Apr. 26, 2022**

(54) **VEHICLE FRONT LOWER GRILLE**

D823,183 S \* 7/2018 Yates ..... D12/163  
D847,040 S \* 4/2019 Von Holzhausen ..... D12/163  
D881,079 S \* 4/2020 Dewitt ..... D12/163  
D904,240 S \* 12/2020 Heilaneh ..... D12/163

(71) Applicant: **Ford Global Technologies, LLC**,  
Dearborn, MI (US)

(72) Inventors: **Ehab N. Kaoud**, Livonia, MI (US);  
**William K. Moore**, West Bloomfield,  
MI (US); **David Root**, Wyandotte, MI  
(US); **Joshua Henry**, Detroit, MI (US);  
**Marc Cammeyer**, Berkley, MI (US)

(73) Assignee: **Ford Global Technologies, LLC**,  
Dearborn, MI (US)

(\*\*) Term: **15 Years**

(21) Appl. No.: **29/723,957**

(22) Filed: **Feb. 12, 2020**

(51) **LOC (13) Cl.** ..... **12-16**

(52) **U.S. Cl.**  
USPC ..... **D12/163**

(58) **Field of Classification Search**  
USPC ..... D12/86, 90, 91, 92, 163, 169, 171, 196,  
D12/216

CPC ..... B62D 25/08; B62B 9/16; B60K 11/08;  
B60R 19/52

See application file for complete search history.

(56) **References Cited**

**U.S. PATENT DOCUMENTS**

D685,690 S \* 7/2013 Svensson ..... D12/163  
D720,667 S 1/2015 Platto  
D721,301 S \* 1/2015 Platto ..... D12/163  
D754,571 S \* 4/2016 Boniface ..... D12/163  
D769,159 S 10/2016 Platto  
D777,613 S \* 1/2017 Rugar ..... D12/163  
D784,213 S \* 4/2017 Karras ..... D12/163  
D786,744 S \* 5/2017 Nurnberger ..... D12/163  
D805,968 S \* 12/2017 Piscitelli ..... D12/163  
D815,995 S \* 4/2018 Nurnberger ..... D12/163  
D822,546 S \* 7/2018 Platto ..... D12/163

**OTHER PUBLICATIONS**

Vehicle Grille. (Design—© Questel) orbit.com. [Online PDF compilation of references] 33 pgs. Print Dates Range Dec. 14, 2020-Nov. 8, 2020 [Retrieved Aug. 11, 2021].\*

“New OEM Ford 18-20 F150 Front Bumper Lower Center Grill Cover.” Before Mar. 23, 2019. Ebay. <https://www.ebay.com/itm/254727775435?chn=ps&norover=1&mkevt=1&mkrid=711-117182-37290-0&mkcid=2&itemid=254727775435&targetid=1263433205494&device=c&mktype=pla&googleloc=1027067&poi=&campaignid=13822837156&mkgroupid=12188640>.\*

(Continued)

*Primary Examiner* — Manpreet S Matharu

*Assistant Examiner* — Suzanne E Tisdell

(57) **CLAIM**

The ornamental design for a vehicle front lower grille, as shown and described.

**DESCRIPTION**

FIG. 1 is a front elevational view of a vehicle front lower grille showing our new design;

FIG. 2 is a left side elevational view thereof;

FIG. 3 is a right side elevational view thereof;

FIG. 4 is a top plan view thereof;

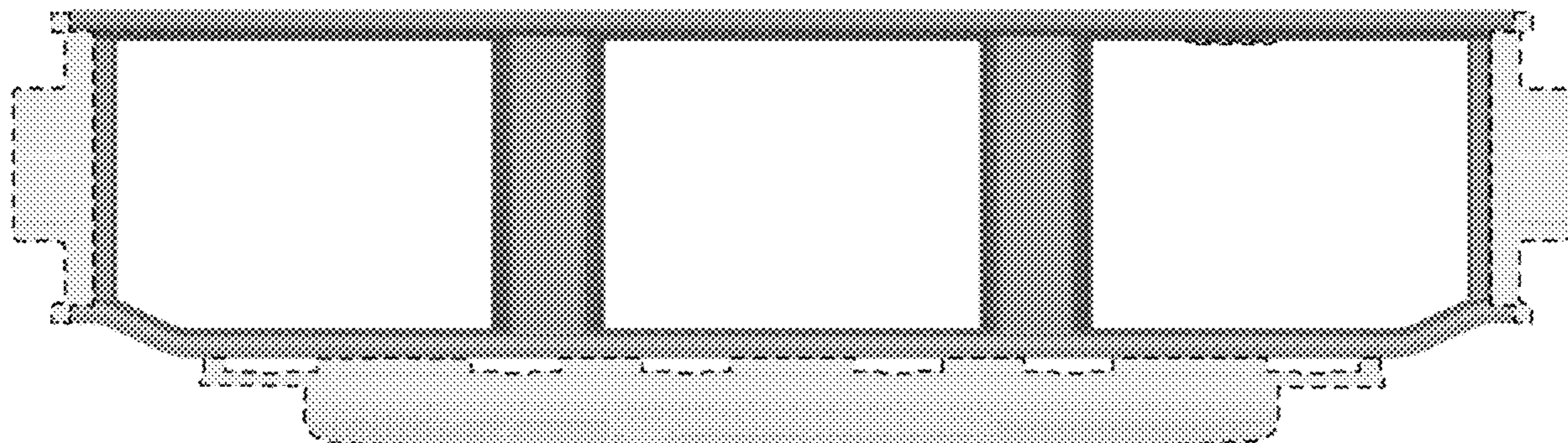
FIG. 5 is a bottom plan view thereof;

FIG. 6 is a bottom, front and left side perspective view thereof; and,

FIG. 7 is a top, front and left side perspective view thereof.

Broken lines included in the drawing form an unclaimed boundary around the claimed design. Neither the broken line itself nor the portion of the vehicle front lower grille in half-tone shading form any part of the claimed design.

**1 Claim, 7 Drawing Sheets**



(56)

**References Cited**

OTHER PUBLICATIONS

Capparella, Joey. "The Ford F-150 Limited is Getting the Raptor's Engine." Jul. 26, 2018. Car and Driver, <https://www.caranddriver.com/news/a22560572/the-ford-f-150-limited-is-getting-the-raptors-engine/>.\*

"2019 F-150 Limited Gains High-Output Ecoboost V6." Jul. 26, 2018. Ford Media. <https://media.ford.com/content/fordmedia/fna/us/en/news/2018/07/26/2019-f-150-limited-gains-high-output-ecoboost-v6.html>.\*

Andrew Wendler, The 2021 Ford F-150, Spied Testing, Looks Pretty Evolutionary, May 8, 2019 <https://www.caranddriver.com/news/a27409108/2021-ford-f-150-pickup-spied/>.

\* cited by examiner

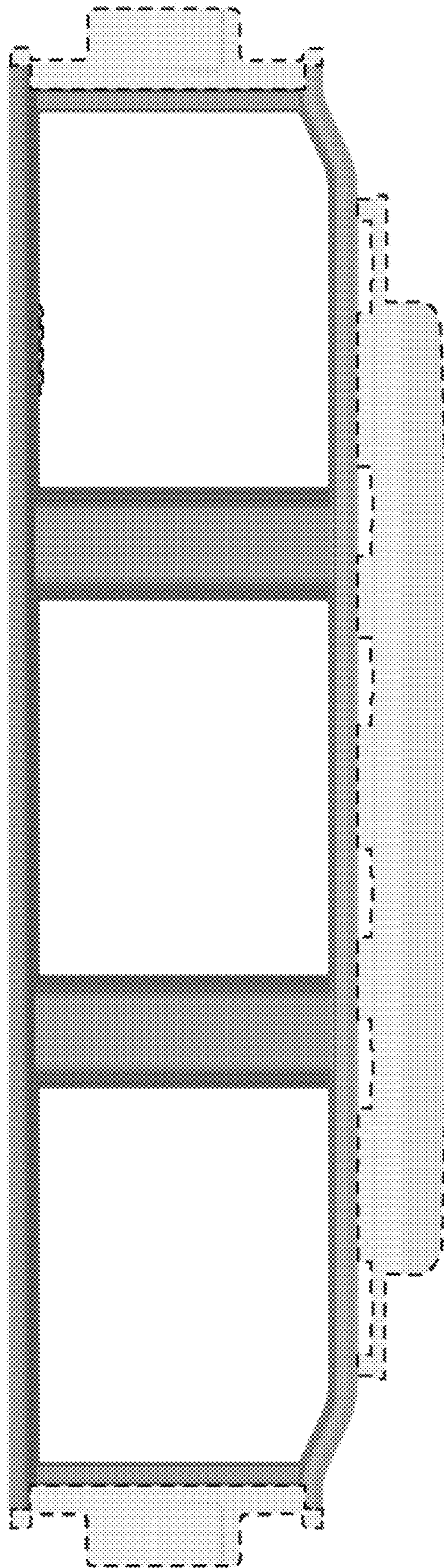


Fig.1



Fig. 2



Fig. 3

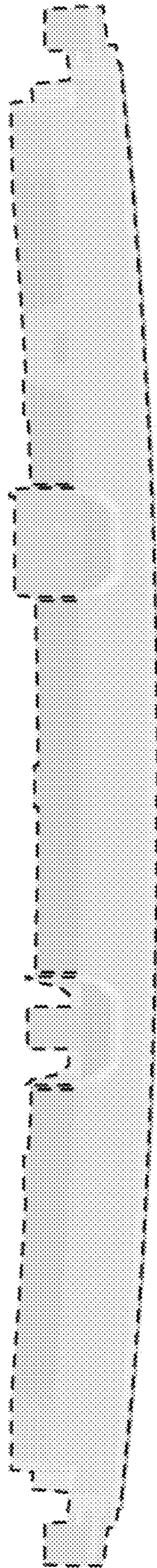


Fig.4

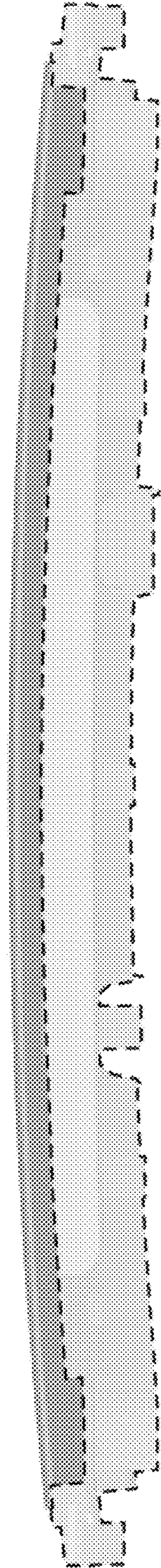


FIG. 5

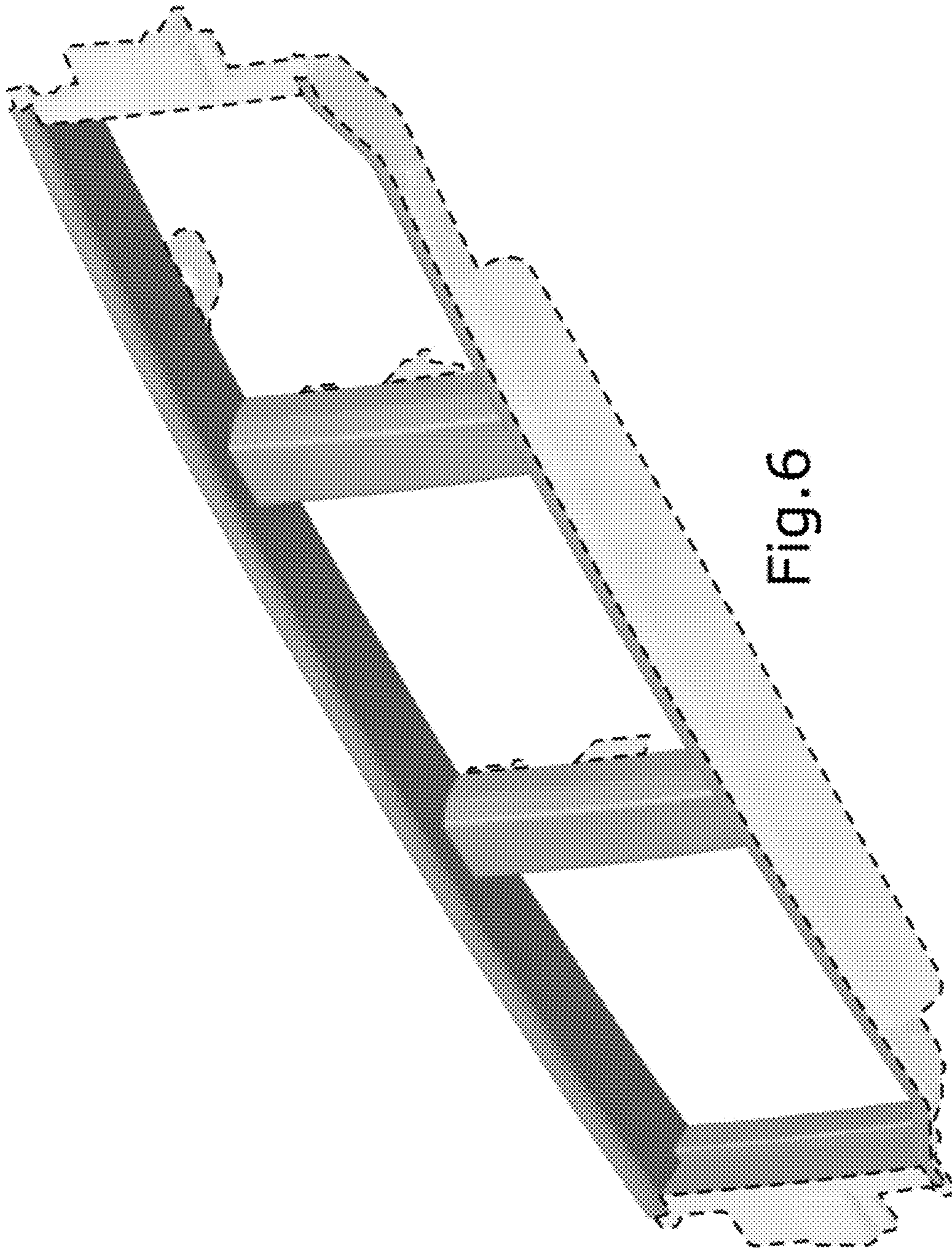


Fig. 6



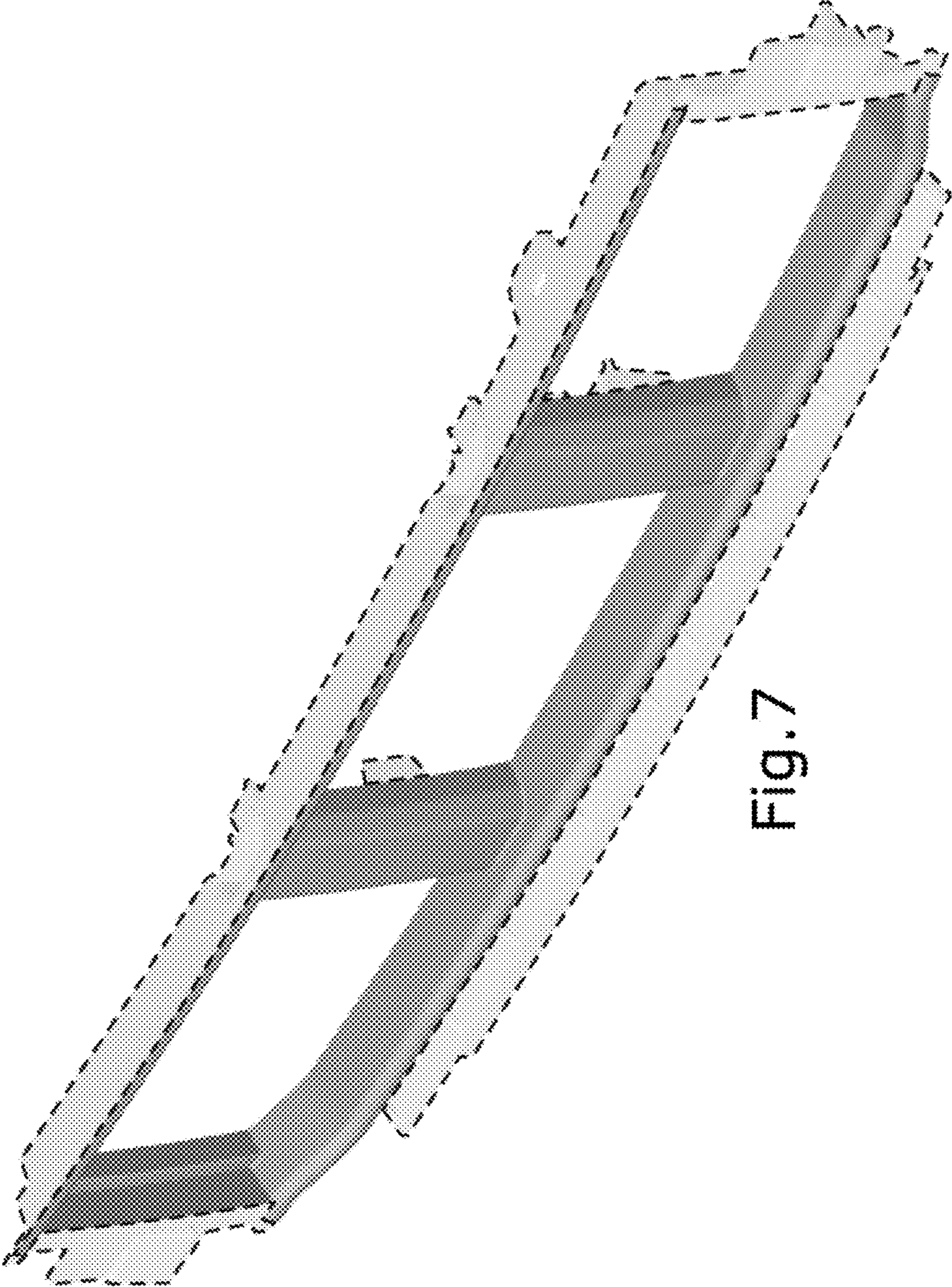


Fig. 7