

US00D949753S

(12) **United States Design Patent** (10) **Patent No.:** **US D949,753 S**
Roberts (45) **Date of Patent:** **** Apr. 26, 2022**

(54) **RAMP MOUNT**

(71) Applicant: **Derrick Roberts**, Villa Rica, GA (US)

(72) Inventor: **Derrick Roberts**, Villa Rica, GA (US)

(**) Term: **15 Years**

(21) Appl. No.: **29/761,733**

(22) Filed: **Dec. 11, 2020**

(51) **LOC (13) Cl.** **12-16**

(52) **U.S. Cl.**

USPC **D12/162; D8/349**

(58) **Field of Classification Search**

USPC D12/162, 400; D8/380, 349

CPC A47B 3/08; B60R 11/00; B60D 1/065;
B60D 1/60; B60D 1/06

See application file for complete search history.

(56) **References Cited**

U.S. PATENT DOCUMENTS

3,510,015	A *	5/1970	Roshaven	B60P 1/435 414/537
4,908,544	A	3/1990	Lau		
5,288,094	A *	2/1994	Putnam	B60D 1/62 248/214
5,443,353	A	8/1995	Raymer		
5,538,308	A	7/1996	Floe		
5,649,732	A	7/1997	Jordan et al.		
D398,835	S *	9/1998	Coll	D8/354
5,813,071	A	9/1998	Breslin et al.		
5,845,356	A	12/1998	Kielinski		
5,897,285	A	4/1999	Wanderscheid et al.		
5,971,465	A	10/1999	Ives et al.		
D427,888	S *	7/2000	Hannon	D8/354
D440,862	S *	4/2001	Kaczmariski	D8/354
6,692,055	B2	2/2004	Schilling		
7,011,036	B1	3/2006	Hill		
7,013,518	B2	3/2006	Leblanc		
7,159,261	B2	1/2007	Carrigan		
D551,420	S *	9/2007	Ezra	D12/406

7,284,781	B2	10/2007	Grant		
7,308,726	B2	12/2007	Schomaker et al.		
7,383,600	B2	6/2008	Carrigan		
D591,208	S *	4/2009	Wubker, Jr.	D12/162
7,966,685	B2	6/2011	Van Beek et al.		
D642,110	S *	7/2011	Lash	D12/317
8,127,389	B1	3/2012	Hannam		
8,276,965	B2	10/2012	Turnbow		

(Continued)

OTHER PUBLICATIONS

“EZ Deck Step Rub Rail Ladder Mounting Brackets” Unique., Apr. 10, 2018 [online], [retrieved on Nov. 4, 2021]. Retrieved from the Internet <URL: <https://www.uniquetruck.com/product/35159/ez-deck-step-rub-rail-ladder-mounting-brackets>> (Year: 2018).*

(Continued)

Primary Examiner — Darlington Ly

Assistant Examiner — Nasim Abdulaziz Ali

(74) *Attorney, Agent, or Firm* — Gardner Groff & Greenwald, PC

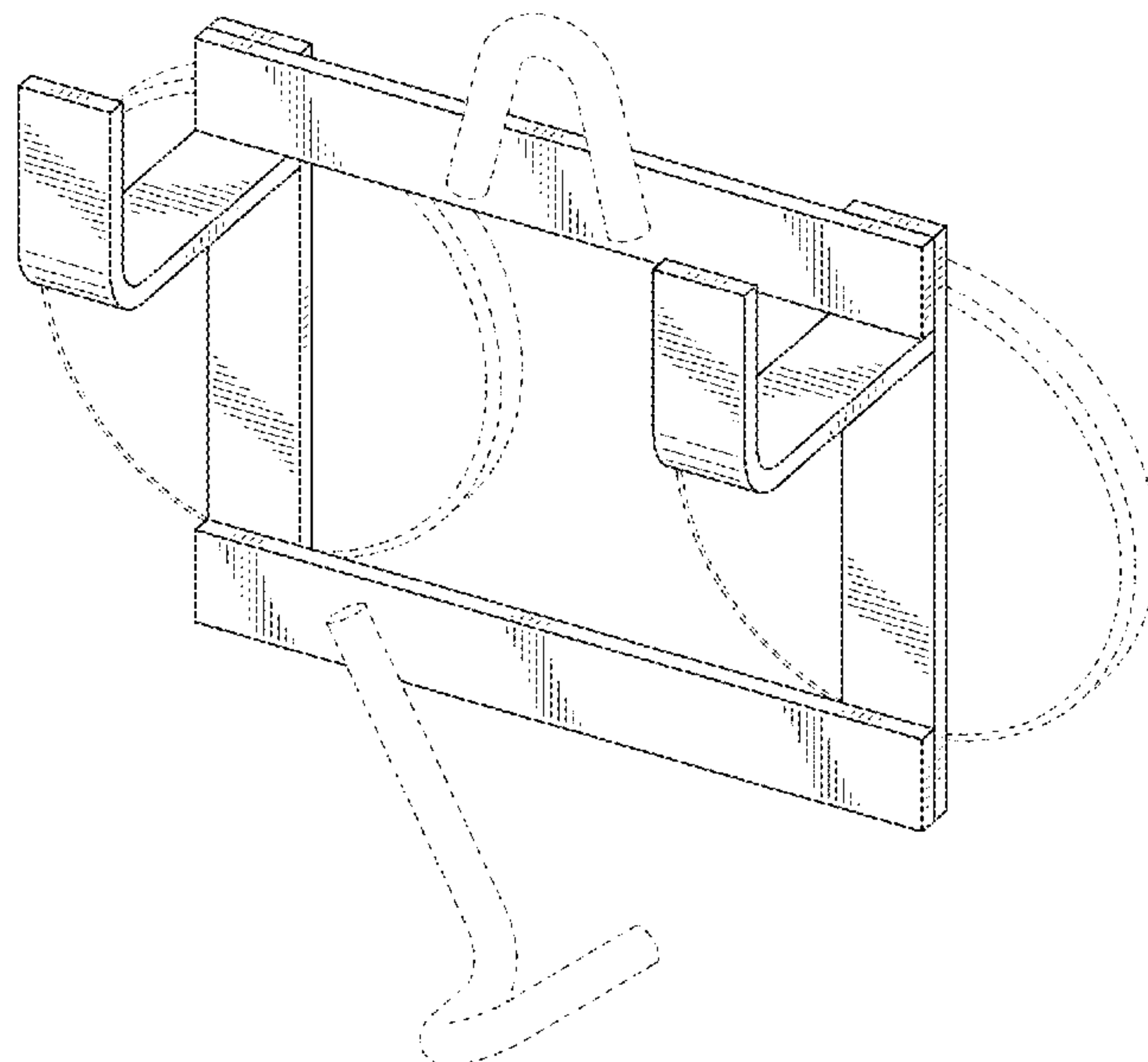
(57) **CLAIM**

The ornamental design for a ramp mount, substantially as shown and described.

DESCRIPTION

FIG. 1 is a front perspective view of a ramp mount, embodying my new design;
FIG. 2 is a rear perspective view thereof.
FIG. 3 is a front elevation view thereof;
FIG. 4 is a rear elevation view thereof;
FIG. 5 is a left side elevation view thereof;
FIG. 6 is a right side elevation view thereof;
FIG. 7 is a top plan view thereof; and,
FIG. 8 is a bottom plan view thereof.
The broken lines in the drawings illustrate portions of the ramp mount that form no part of the claimed design.

1 Claim, 4 Drawing Sheets



(56)

References Cited

U.S. PATENT DOCUMENTS

8,561,238	B1	10/2013	Inget	
8,827,343	B2	9/2014	Peters	
D744,382	S *	12/2015	Woller	D12/162
9,545,867	B2	1/2017	Melancon, Jr.	
10,457,221	B2	10/2019	Roberts	
10,464,464	B2	11/2019	Pendleton et al.	
D876,210	S *	2/2020	Arnall	D8/380
10,683,629	B2 *	6/2020	Creede	E02B 17/0021
2014/0064896	A1	3/2014	Parmar	
2017/0113887	A1	4/2017	Pendleton et al.	
2020/0087872	A1	3/2020	Bunker, II	
2020/0269742	A1	8/2020	Teodorof et al.	

OTHER PUBLICATIONS

“Fairlead Bracket (Standard) Warn Axon / VRX” KFI Products., Oct. 26, 2018 [online], [retrieved on Nov. 4, 2021]. Retrieved from the Internet <URL: <https://www.kfiproducs.com/fairlead-bracket-standard-warn-axon/-vr.html>> (Year: 2018).*

“SuperATV Heavy Duty Winch Mounting Plate” SuperATV., Jul. 25, 2017 [online], [retrieved on Nov. 4, 2021]. Retrieved from the Internet <URL: https://www.amazon.com/SuperATV-Mounting-Polaris-Midsize-Fitment/dp/B07PGWCR68/ref=pd_lpo_2?pd_rd_i=B07PGWCR68&psc=1> (Year: 2017).*

* cited by examiner

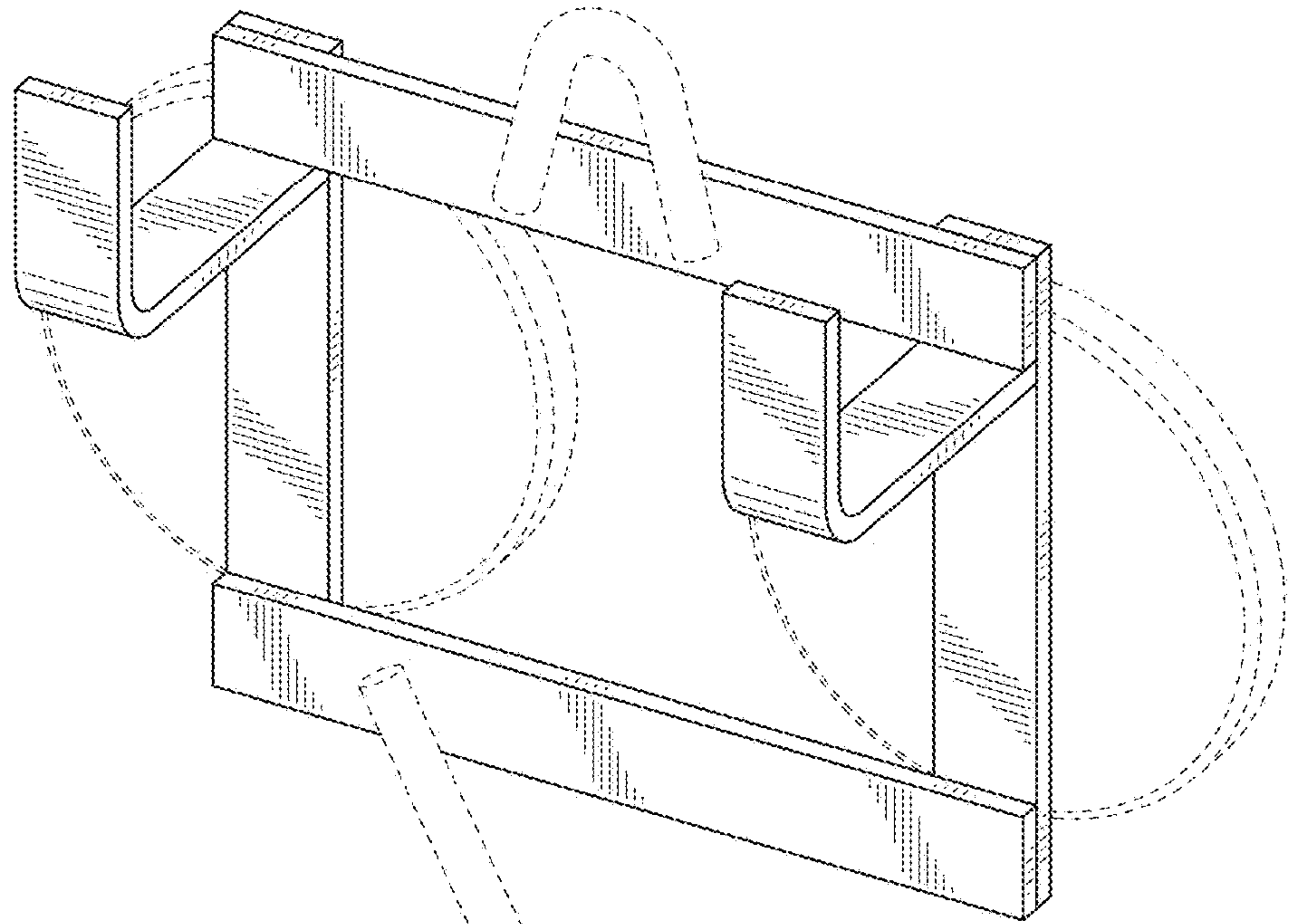


FIG. 1

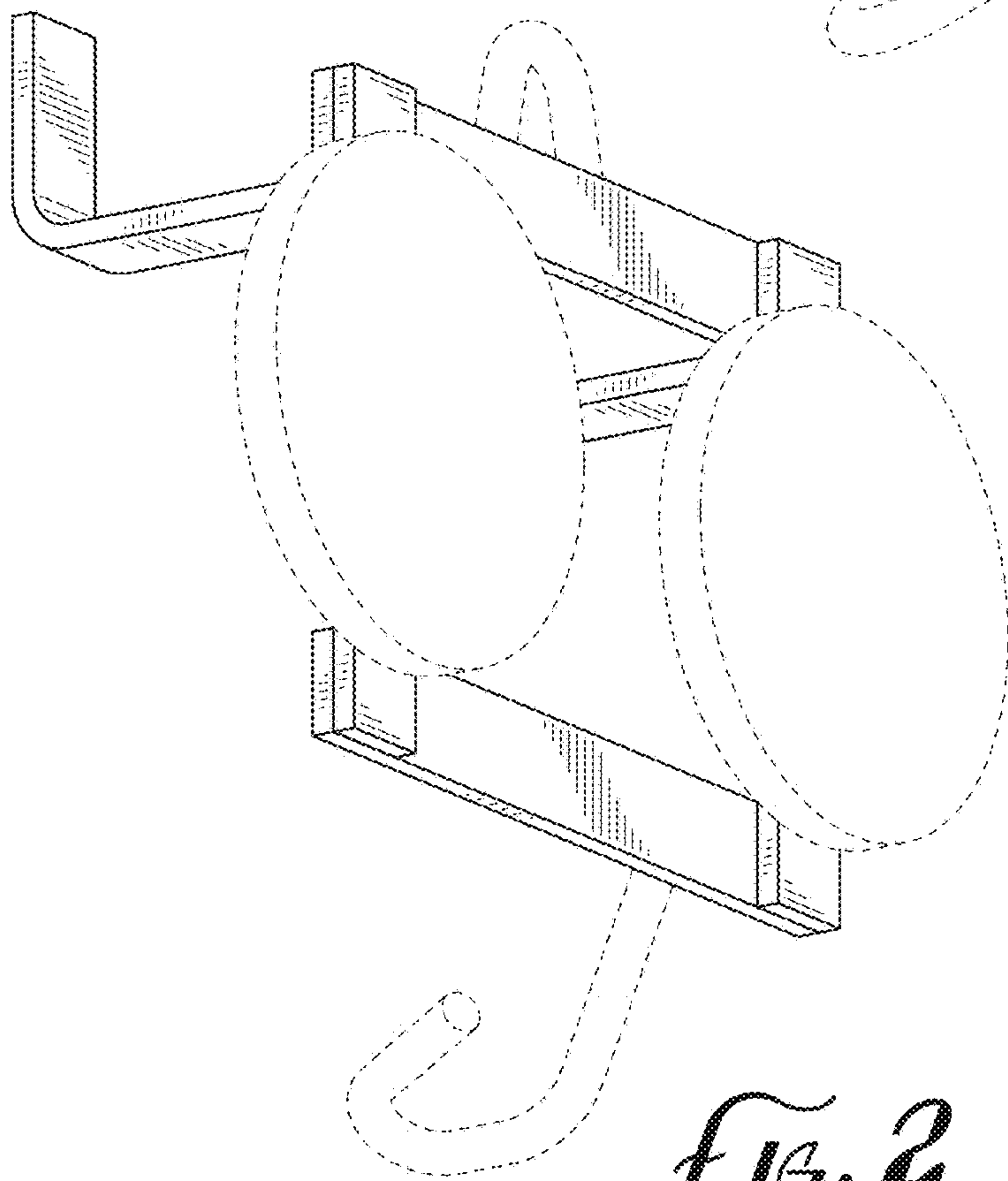


FIG. 2

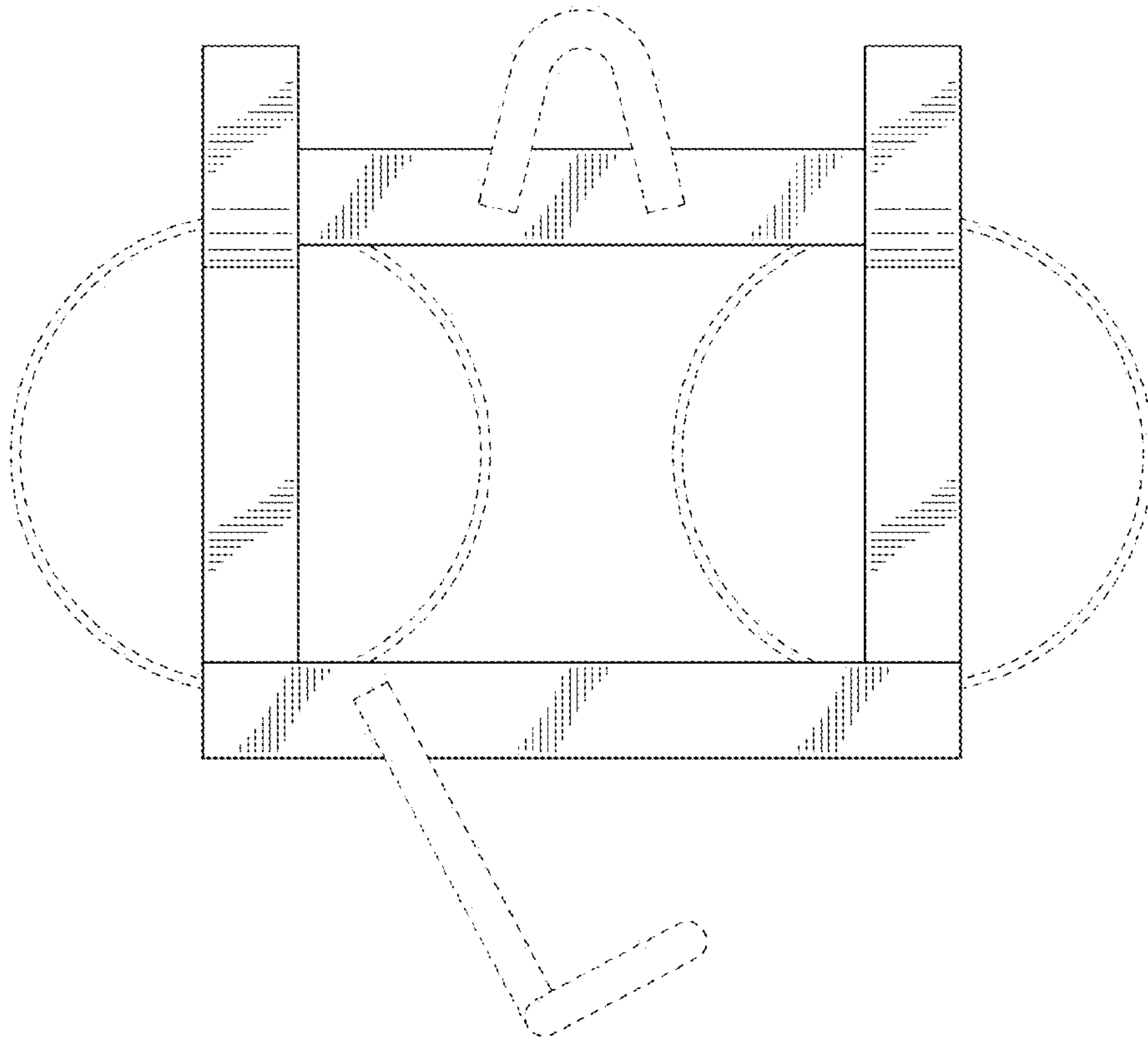


FIG. 3

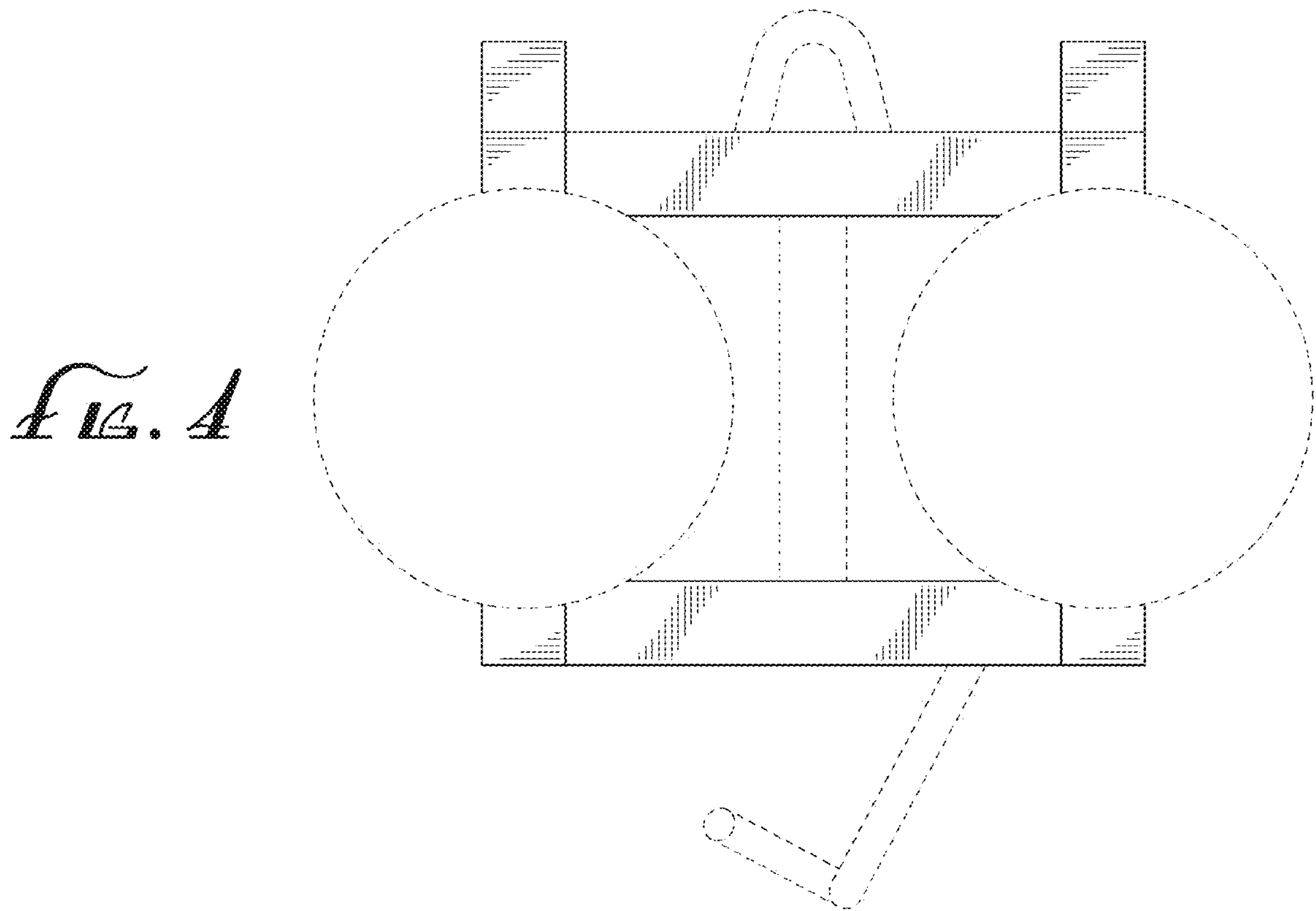


FIG. 4

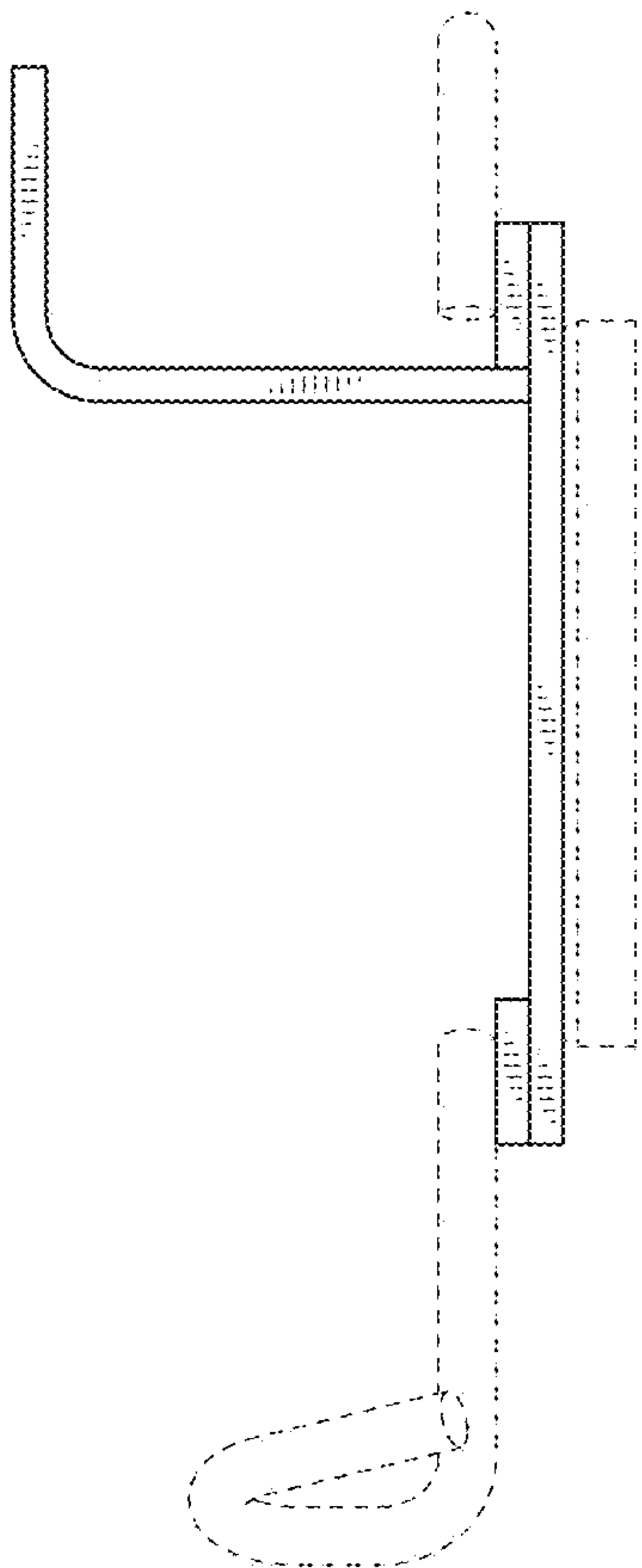


FIG. 5

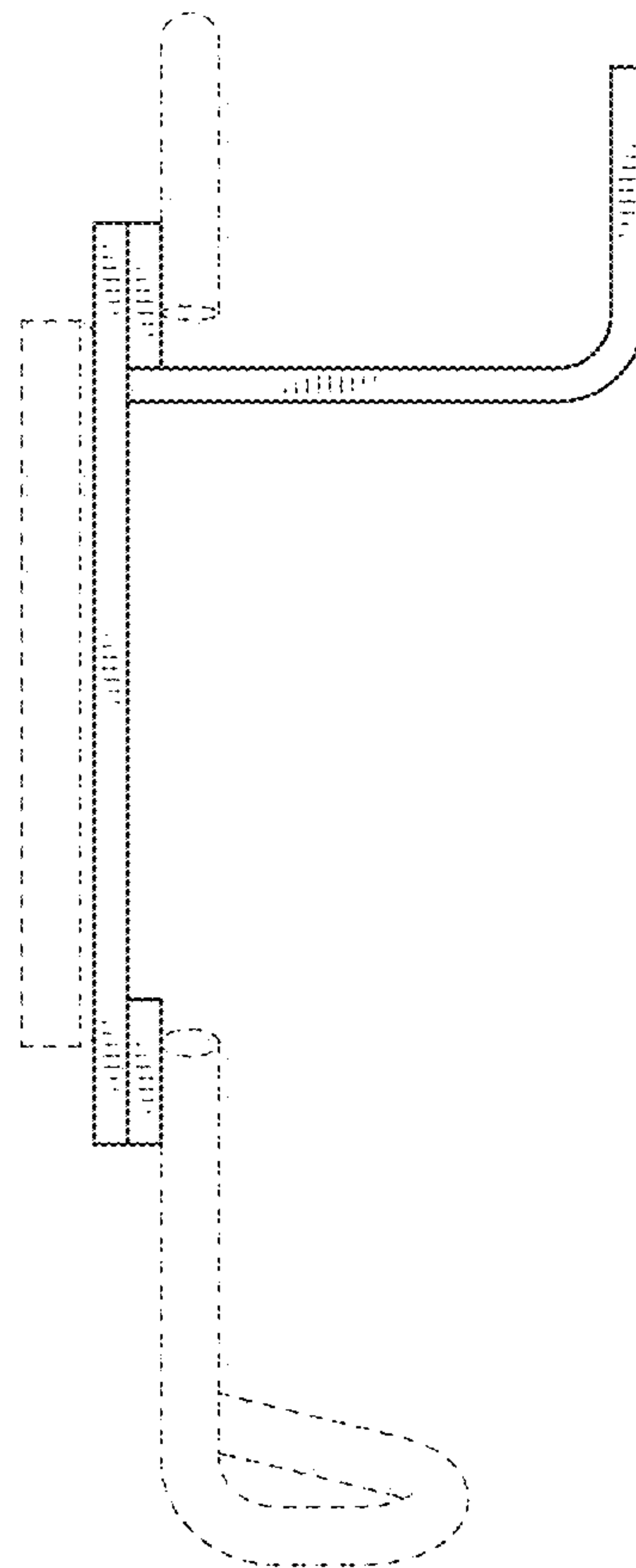


FIG. 6

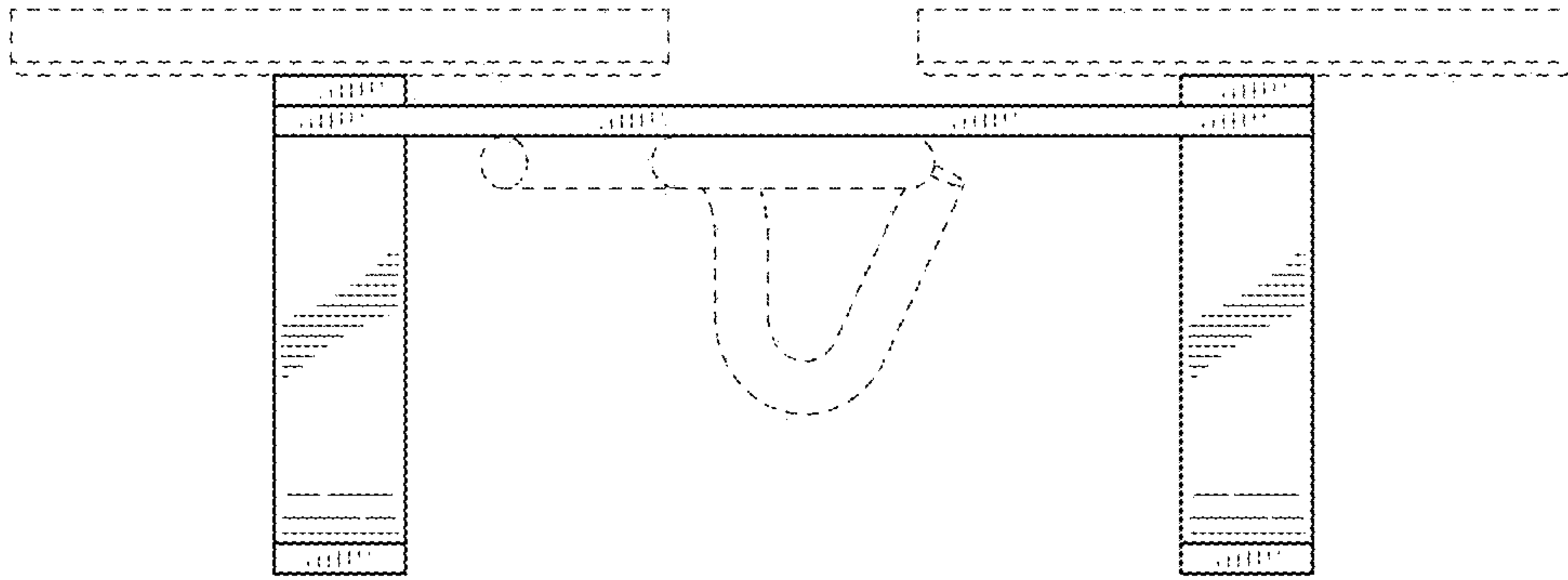


FIG. 7

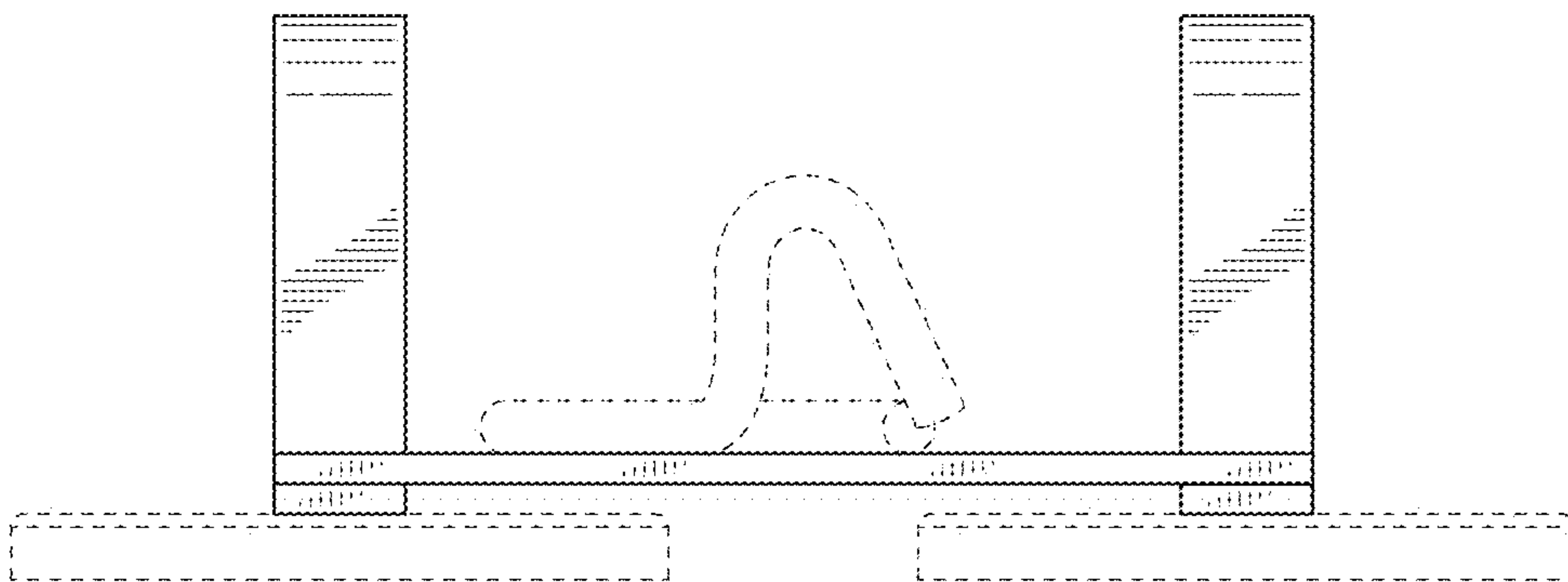


FIG. 8