

US00D949751S

(12) **United States Design Patent**
McGaughy

(10) **Patent No.:** **US D949,751 S**

(45) **Date of Patent:** **** Apr. 26, 2022**

(54) **CROSSMEMBER INSERT FOR VEHICLE**

(71) Applicant: **Steve McGaughy**, Fresno, CA (US)

(72) Inventor: **Steve McGaughy**, Fresno, CA (US)

(**) Term: **15 Years**

(21) Appl. No.: **29/756,982**

(22) Filed: **Nov. 2, 2020**

(51) **LOC (13) Cl.** **12-16**

(52) **U.S. Cl.**
USPC **D12/159**

(58) **Field of Classification Search**
USPC D12/159, 160, 161, 400; D8/349, 354
CPC B62D 21/02; B62D 21/03; B62D 21/09;
B62D 21/11; B62D 25/08; B21D 51/04;
B21D 47/01; B21D 22/02; B21D 53/88;
B60B 35/04

See application file for complete search history.

(56) **References Cited**

U.S. PATENT DOCUMENTS

D58,959 S *	9/1921	Wendland	D12/159
1,908,638 A *	5/1933	Maddock	B62D 21/02
				280/800
D393,826 S *	4/1998	Carter	D12/223
D436,558 S *	1/2001	Fischer	D12/93
D549,291 S *	8/2007	Grider	D21/694
D749,466 S *	2/2016	Nosworthy	D12/159
D751,002 S *	3/2016	Ford	D12/159
D768,544 S *	10/2016	Wen	D12/114
D797,613 S *	9/2017	Bennett	D12/159

D833,346 S *	11/2018	Wicks	D12/179
D920,855 S *	6/2021	Wieczorek	D12/162
11,084,531 B2 *	8/2021	Asai	B62D 21/02
2019/0193792 A1 *	6/2019	Saeki	B62D 25/08

OTHER PUBLICATIONS

Billet Face Plate for Front Crossmember, Published date unavailable [online], [retrieved on Feb. 4, 2022], Retrieved from the Internet: <http://mcgaughys.com/products/billet-face-plate-for-crossmember-gloss-black-part-number-51009> (Year: 2022).*

* cited by examiner

Primary Examiner — Cary M Robinson

Assistant Examiner — Adam C Mager

(74) *Attorney, Agent, or Firm* — Acuity IP, LLC; Nathan S. Cassell

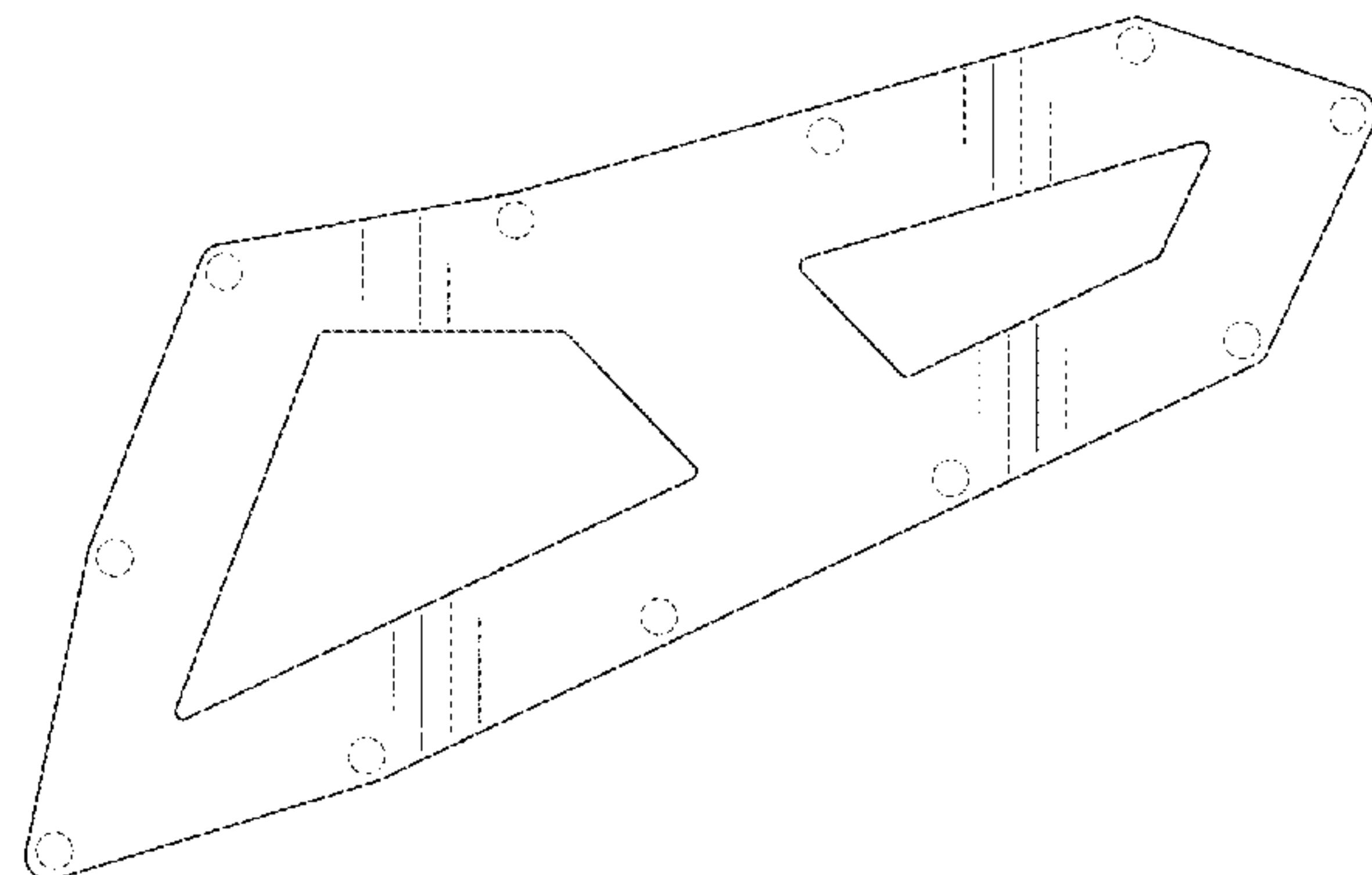
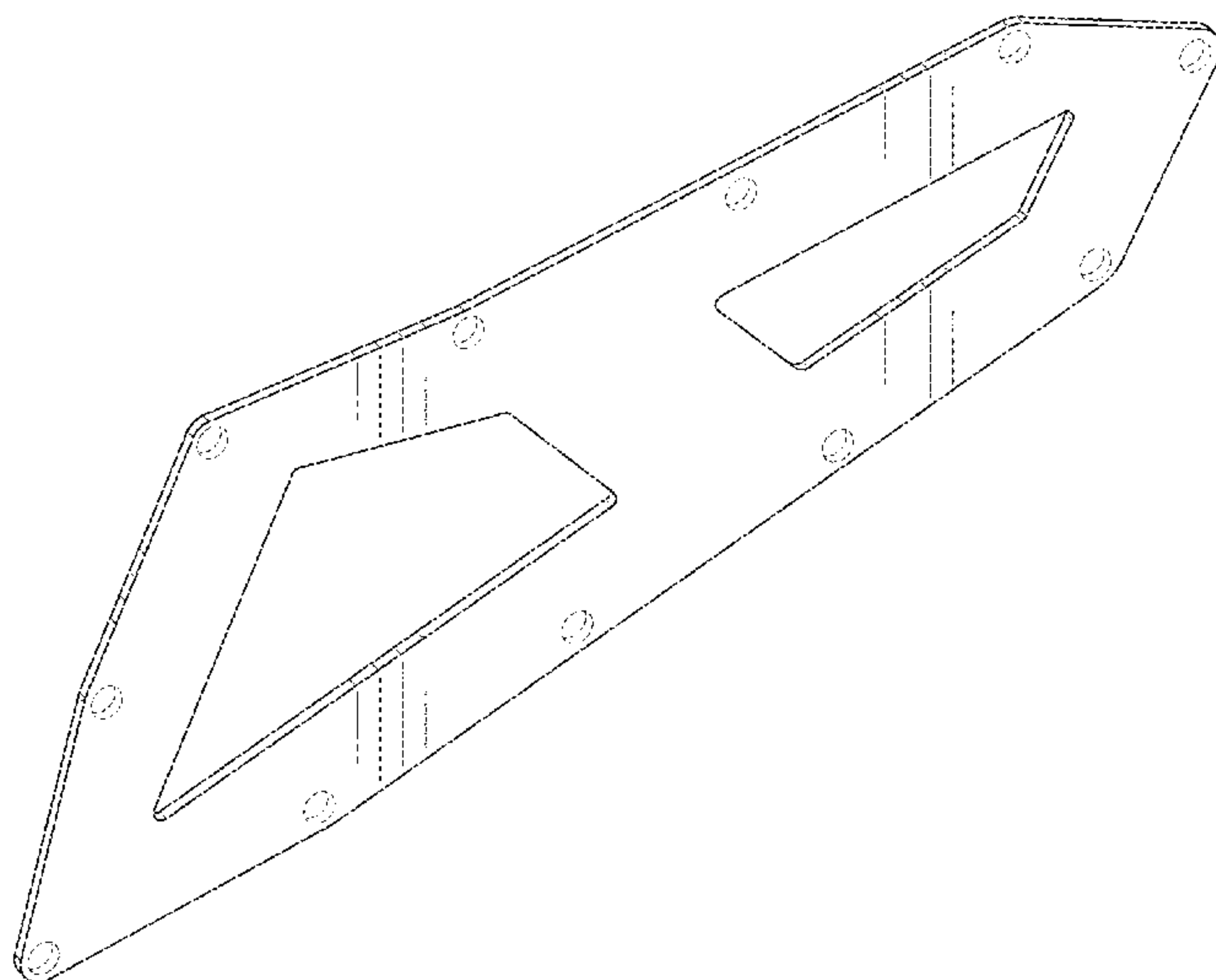
(57) **CLAIM**

The ornamental design for a crossmember insert for vehicle, as shown.

DESCRIPTION

FIG. 1 is a top perspective view of a crossmember insert for vehicle showing my new design;
FIG. 2 is a front elevational view thereof;
FIG. 3 is a rear elevational view thereof;
FIG. 4 is a right side elevational view thereof;
FIG. 5 is a left side elevational view thereof;
FIG. 6 is a top plan view thereof; and,
FIG. 7 is a bottom plan view thereof.
The broken lines showing portions of the crossmember insert for vehicle form no part of the claimed design.

1 Claim, 7 Drawing Sheets



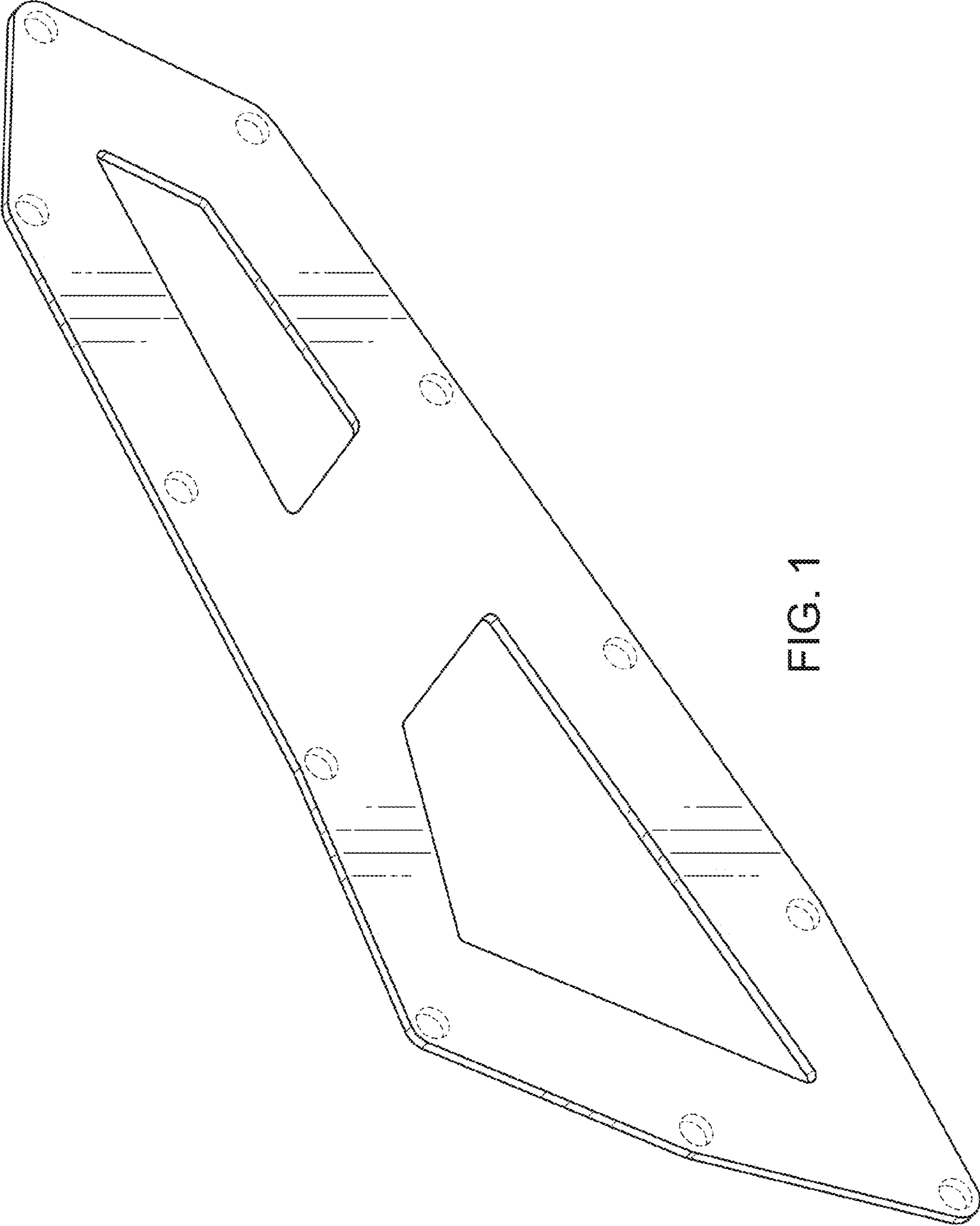


FIG. 1

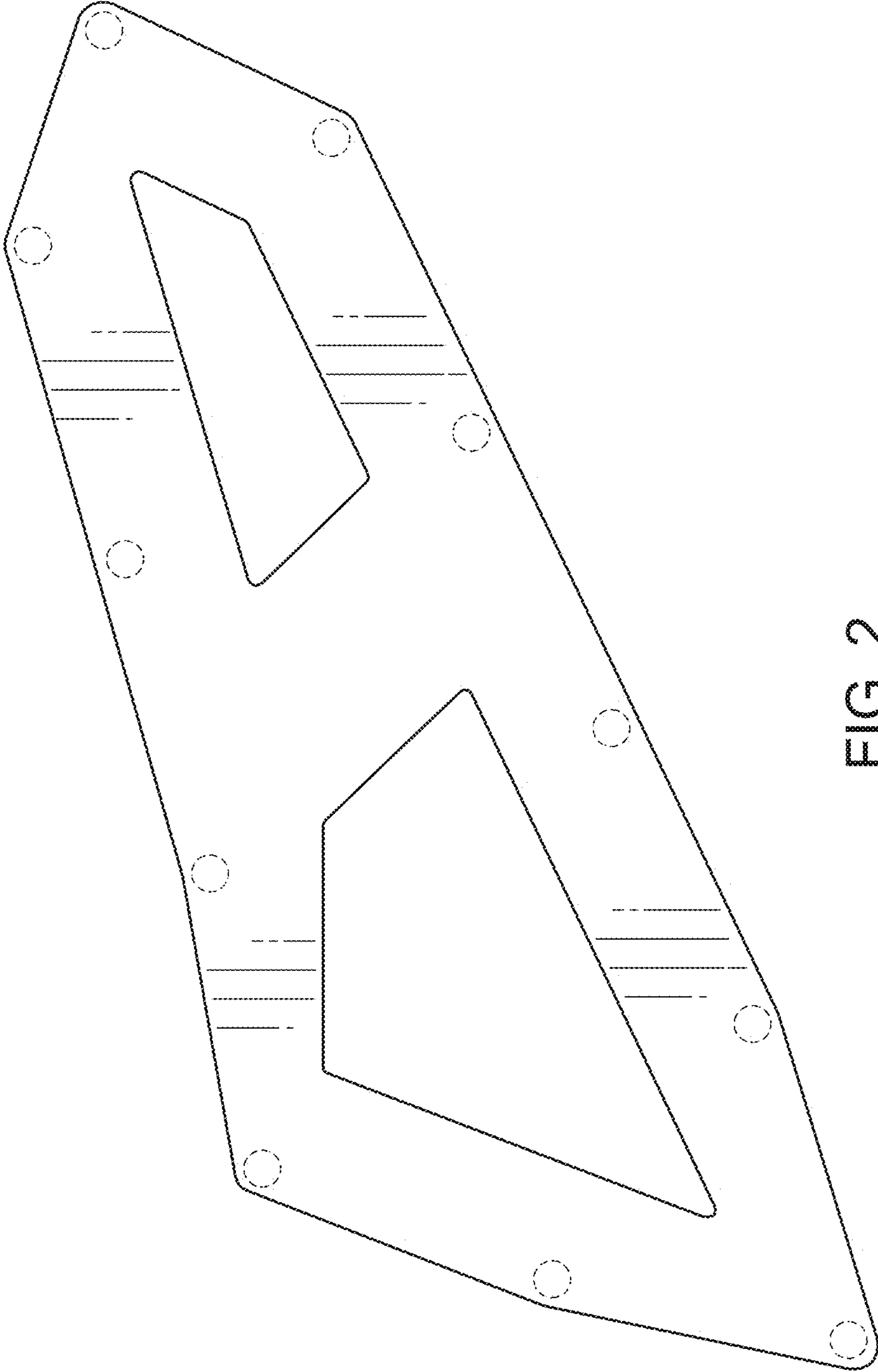


FIG. 2

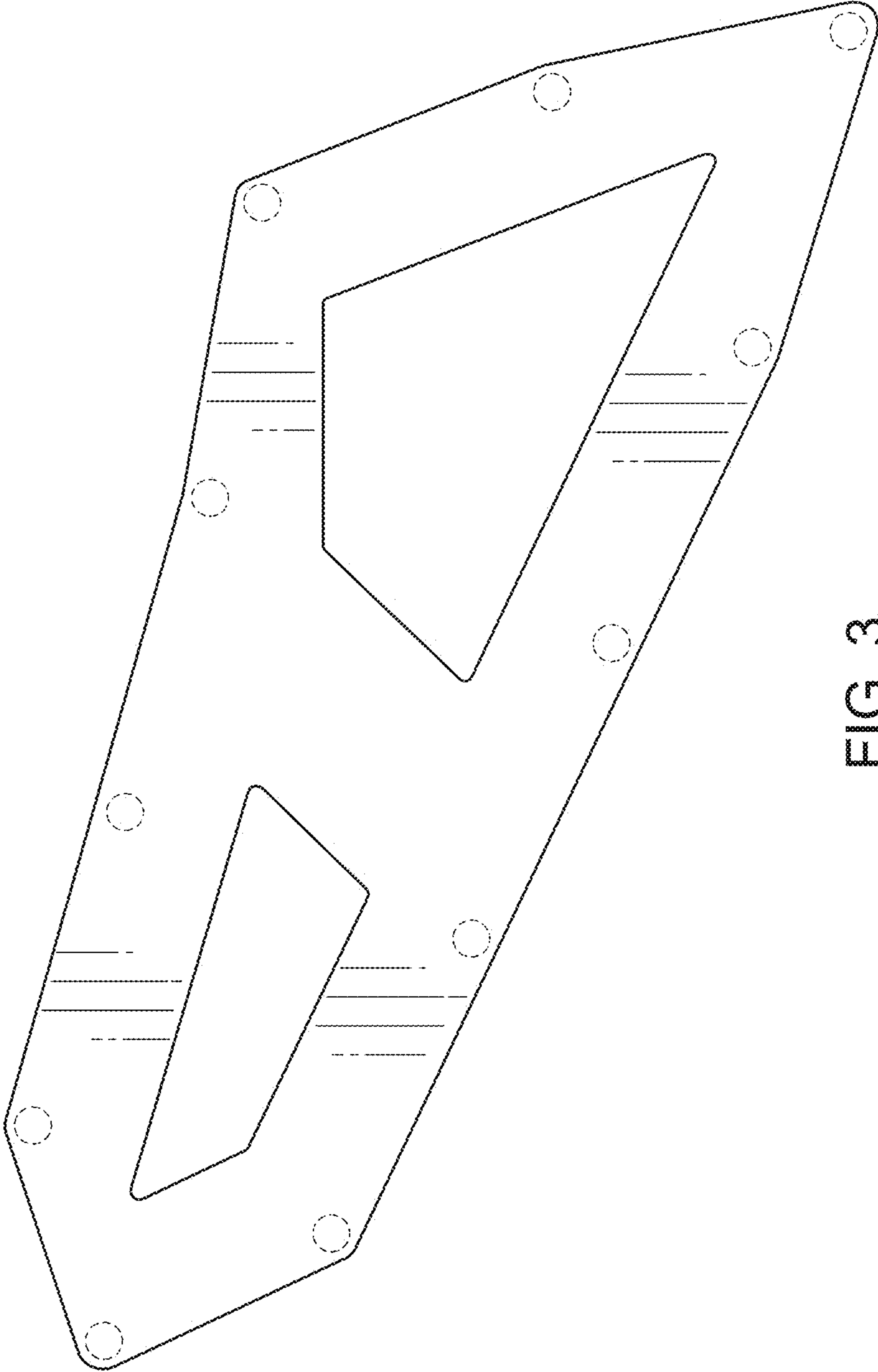


FIG. 3



FIG. 4

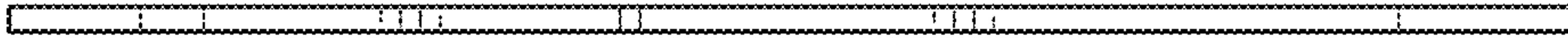


FIG. 5

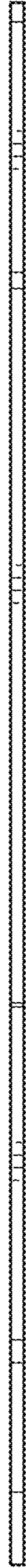


FIG. 6

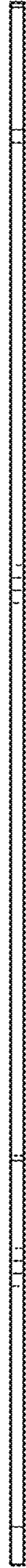


FIG. 7