



US00D949750S

(12) **United States Design Patent**
Tavares Miranda

(10) **Patent No.:** **US D949,750 S**
(45) **Date of Patent:** **** Apr. 26, 2022**

- (54) **CHAIN RING FOR BICYCLE OR MOTORCYCLE**
- (71) Applicant: **MIRANDA & IRMAO, LDA**, Agueda (PT)
- (72) Inventor: **Joao Filipe Tavares Miranda**, Agueda (PT)
- (73) Assignee: **MIRANDA & IRMAO, LDA.**, Agueda (PT)
- (**) Term: **15 Years**
- (21) Appl. No.: **29/729,762**
- (22) Filed: **Mar. 30, 2020**

- D362,210 S * 9/1995 Haney D12/123
- D368,055 S * 3/1996 Jouret D12/123
- D396,436 S * 7/1998 Liska D12/123
- D397,966 S * 9/1998 Chang D12/123
- D399,222 S * 10/1998 Chang D15/148
- 5,947,852 A * 9/1999 Moretz F16H 55/30
474/161
- D430,510 S * 9/2000 Hanamura D12/123
- D430,511 S * 9/2000 Takamori D12/123
- D432,054 S * 10/2000 Hanamura D12/123

(Continued)

Primary Examiner — Darlington Ly

(74) *Attorney, Agent, or Firm* — Lucas & Mercanti, LLP

(57) **CLAIM**

The ornamental design for a chain ring for bicycle or motorcycle, as shown and described.

Related U.S. Application Data

- (62) Division of application No. 29/648,531, filed on May 22, 2018, now Pat. No. Des. 894,793.

Foreign Application Priority Data

- Nov. 23, 2017 (WO) 5504301
- (51) **LOC (13) Cl.** **12-11**
- (52) **U.S. Cl.**
USPC **D12/123**
- (58) **Field of Classification Search**
USPC D12/111, 122-127; D15/143, 148, 149
CPC F16H 7/06; F16H 55/30; F16H 55/303;
B62M 9/105
See application file for complete search history.

References Cited

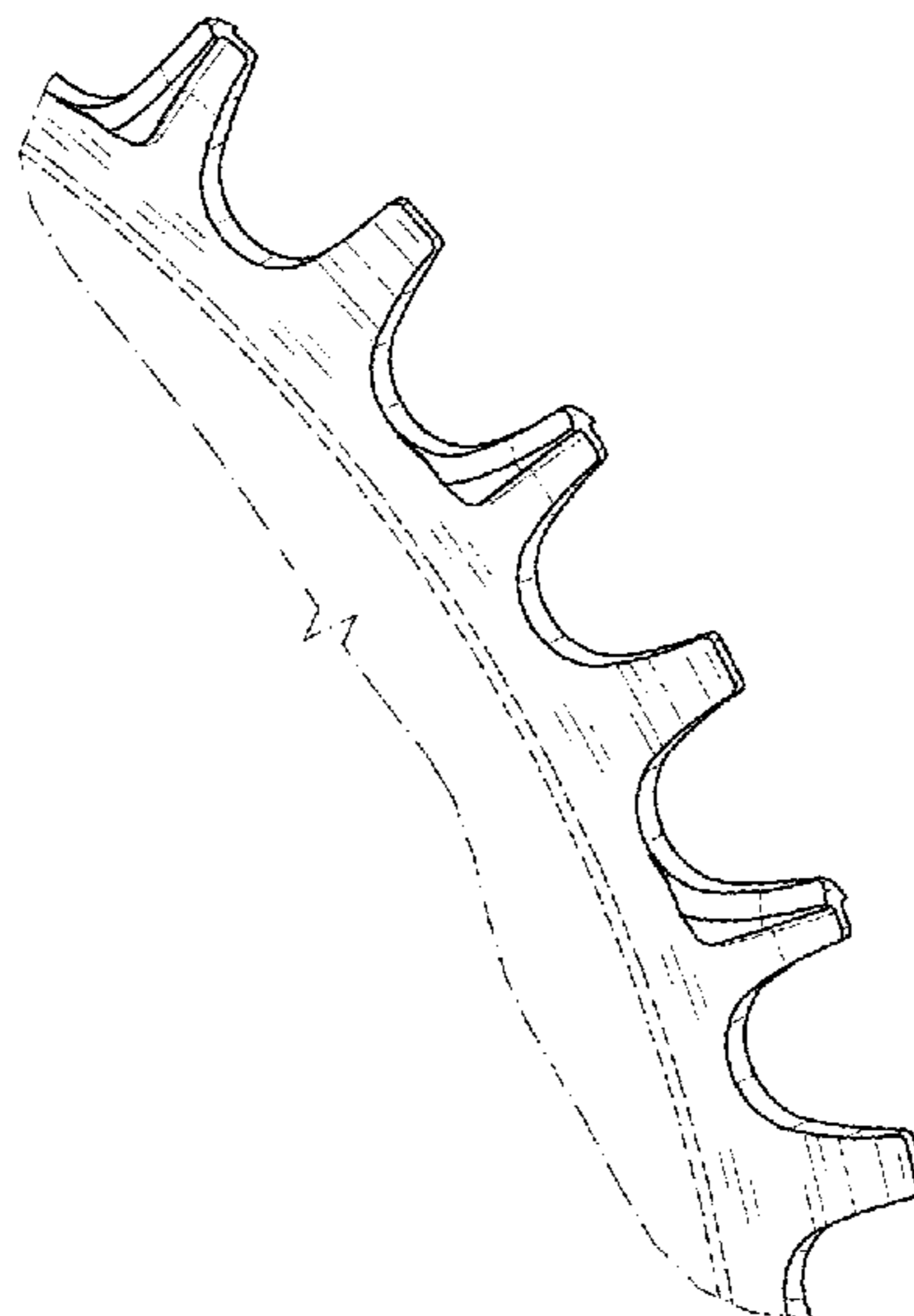
U.S. PATENT DOCUMENTS

- D246,097 S * 10/1977 McGregor, Sr. D12/123
- 4,332,574 A * 6/1982 Aoyama F16H 55/30
474/161
- D299,448 S * 1/1989 Haro D12/123
- D306,842 S * 3/1990 Beiser D12/123

DESCRIPTION

FIG. 1 is a left side perspective view of a chain ring for bicycle or motorcycle;
 FIG. 2 is a right side perspective view thereof;
 FIG. 3 is a left side elevation view thereof;
 FIG. 4 is a right side elevation view thereof;
 FIG. 5 is a top plan view thereof, wherein the bottom plan view is a mirror image thereof;
 FIG. 6 is an enlarged top plan view encompassed by the broken line circle in FIG. 5 thereof;
 FIG. 7 is a close up right side view of a tooth of the chain ring, wherein the left side view is a mirror image thereof;
 FIG. 8 is a close up right side view of another tooth of the chain ring, wherein the left side view is a mirror image thereof;
 FIG. 9 is a rear elevation view of a portion of the chain ring thereof; and,
 FIG. 10 is a front elevation view thereof.
 The broken lines in the drawings illustrate portions of the chain ring for bicycle or motorcycle that form no part of the claimed design.

1 Claim, 5 Drawing Sheets



(56)

References Cited

U.S. PATENT DOCUMENTS

D434,351 S * 11/2000 Takamori D12/123
D435,001 S * 12/2000 Takamori D12/123
D436,561 S * 1/2001 Louden D12/123
6,213,238 B1 * 4/2001 Buell B62M 7/00
180/219
D472,843 S * 4/2003 Marquez-Pickering D11/81
D478,849 S * 8/2003 Griffin D12/123
D510,365 S * 10/2005 Yoshida D15/28
D518,074 S * 3/2006 Yoshida D15/28
D592,107 S * 5/2009 Clarke D12/123
D604,346 S * 11/2009 Chiang D12/123
D718,658 S * 12/2014 Cadarette D12/7
D728,432 S * 5/2015 Lin B62M 9/00
D12/123
D750,998 S * 3/2016 Wang D12/123
D756,270 S * 5/2016 Sgreva D12/123
D765,551 S * 9/2016 Baker, Jr. D12/123
D774,987 S * 12/2016 Miles D12/123
D802,488 S * 11/2017 Scott D12/127
D803,104 S * 11/2017 Braedt D12/123
D806,614 S * 1/2018 Turner D12/123
D811,948 S * 3/2018 Turner D12/123
D817,371 S * 5/2018 Karol D15/148
D817,372 S * 5/2018 Karol D15/148
2006/0264286 A1 * 11/2006 Hodjat F16H 55/171
474/152
2013/0143704 A1 * 6/2013 Blank F16H 55/30
474/161
2016/0215866 A1 * 7/2016 Stefan B62M 9/00

* cited by examiner

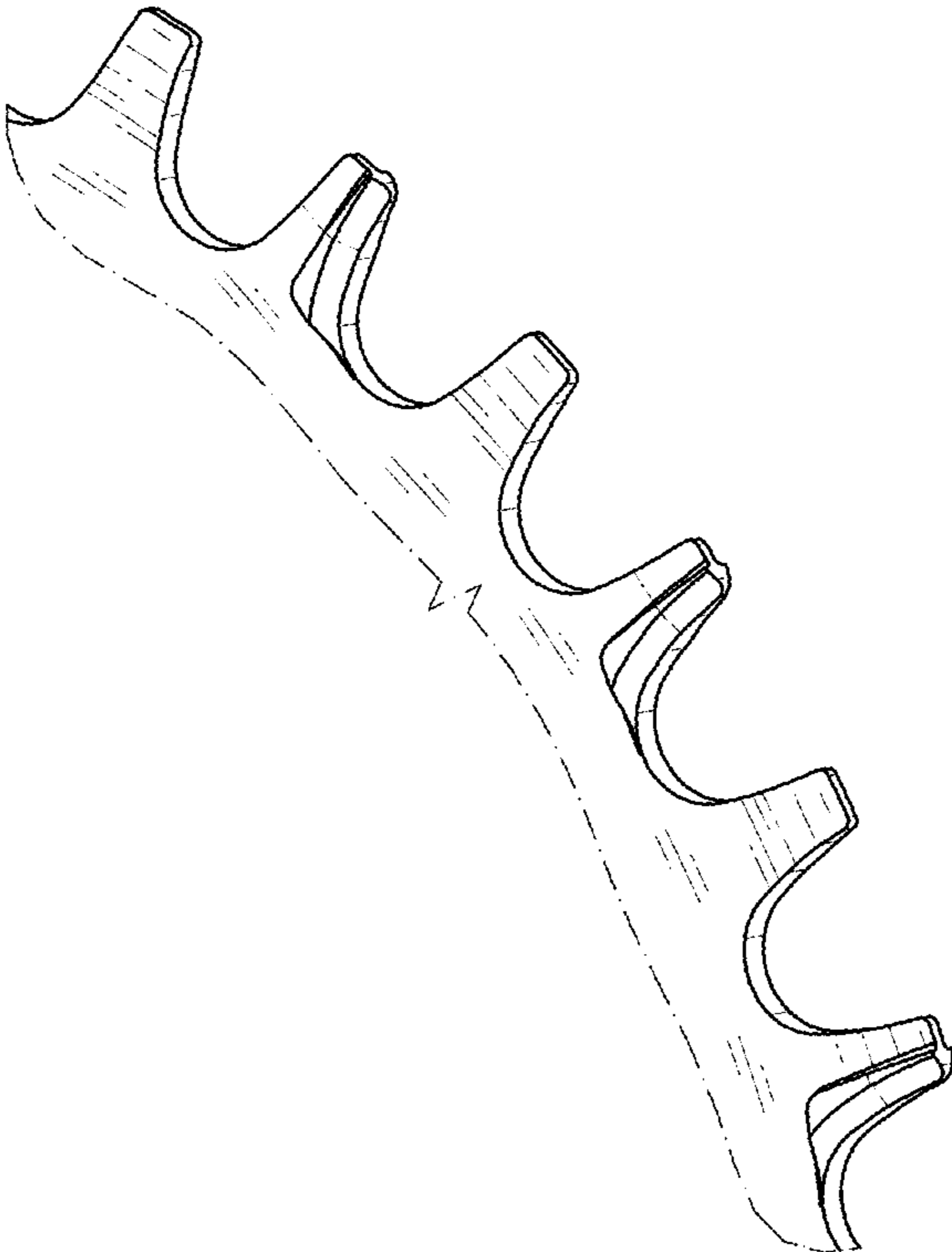


FIG. 1

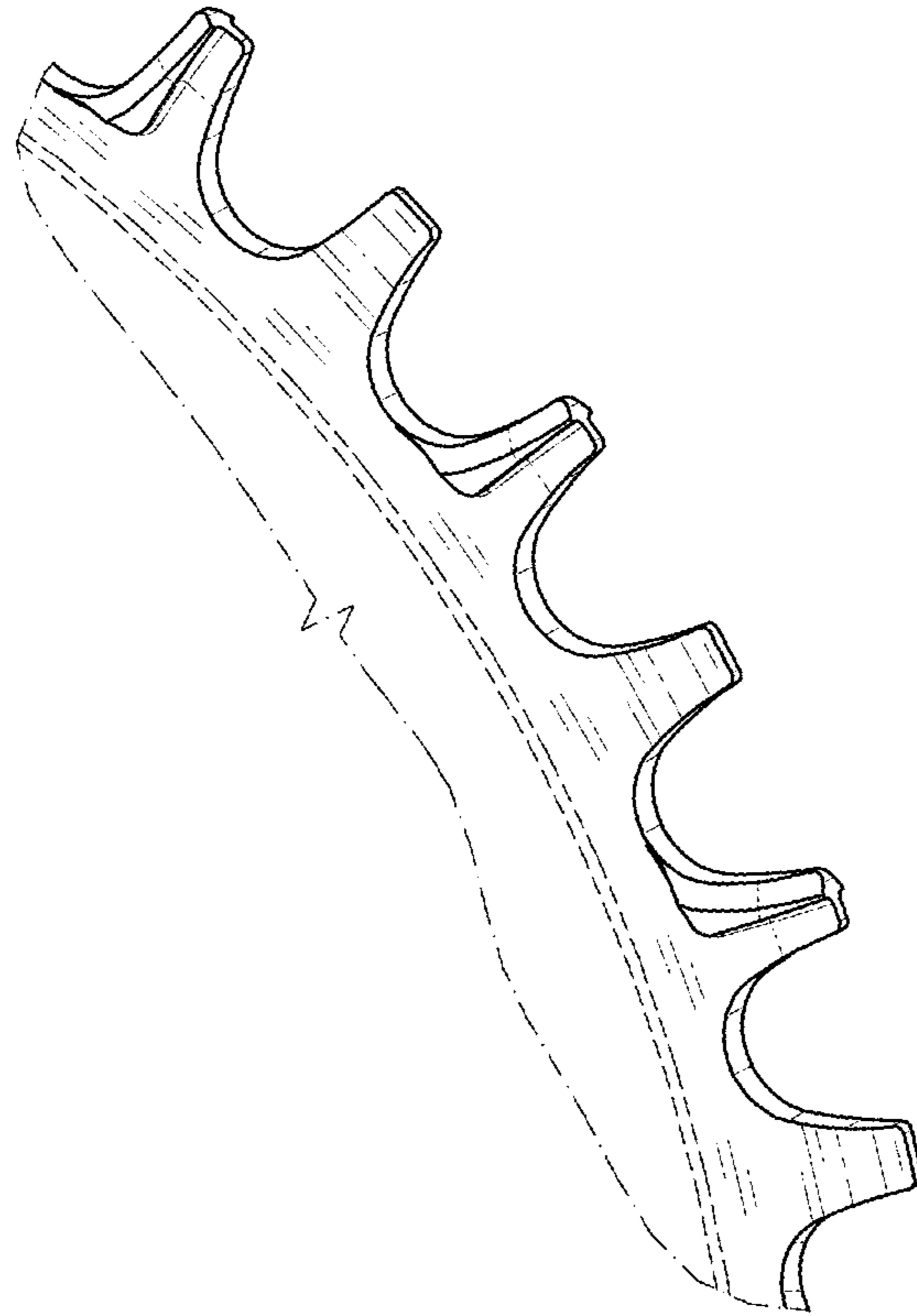


FIG. 2

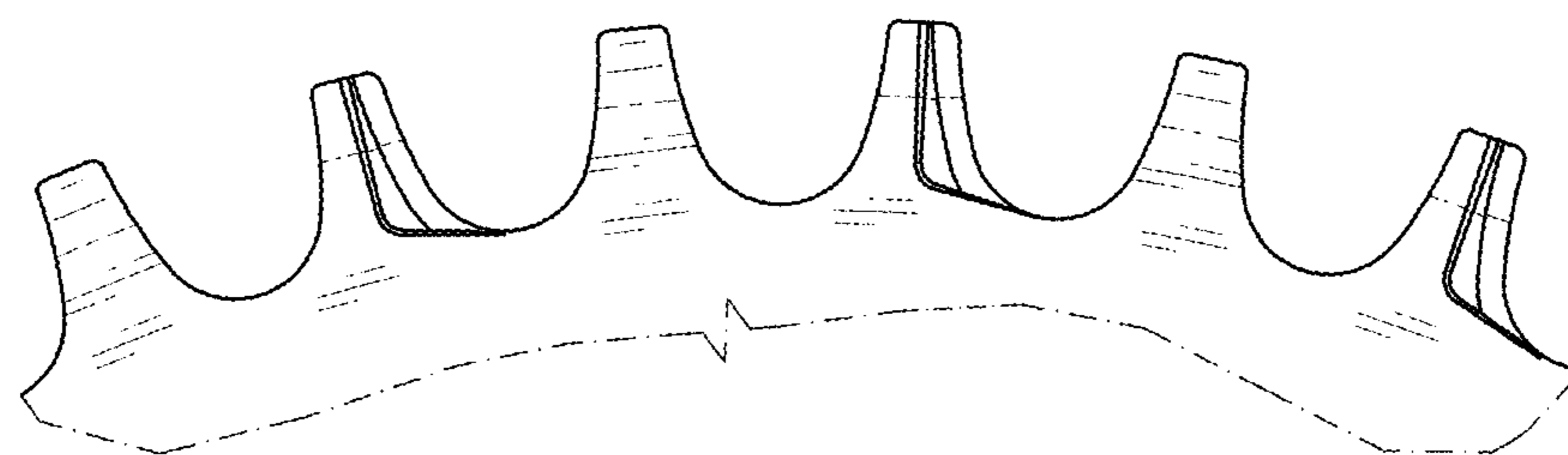


FIG. 3

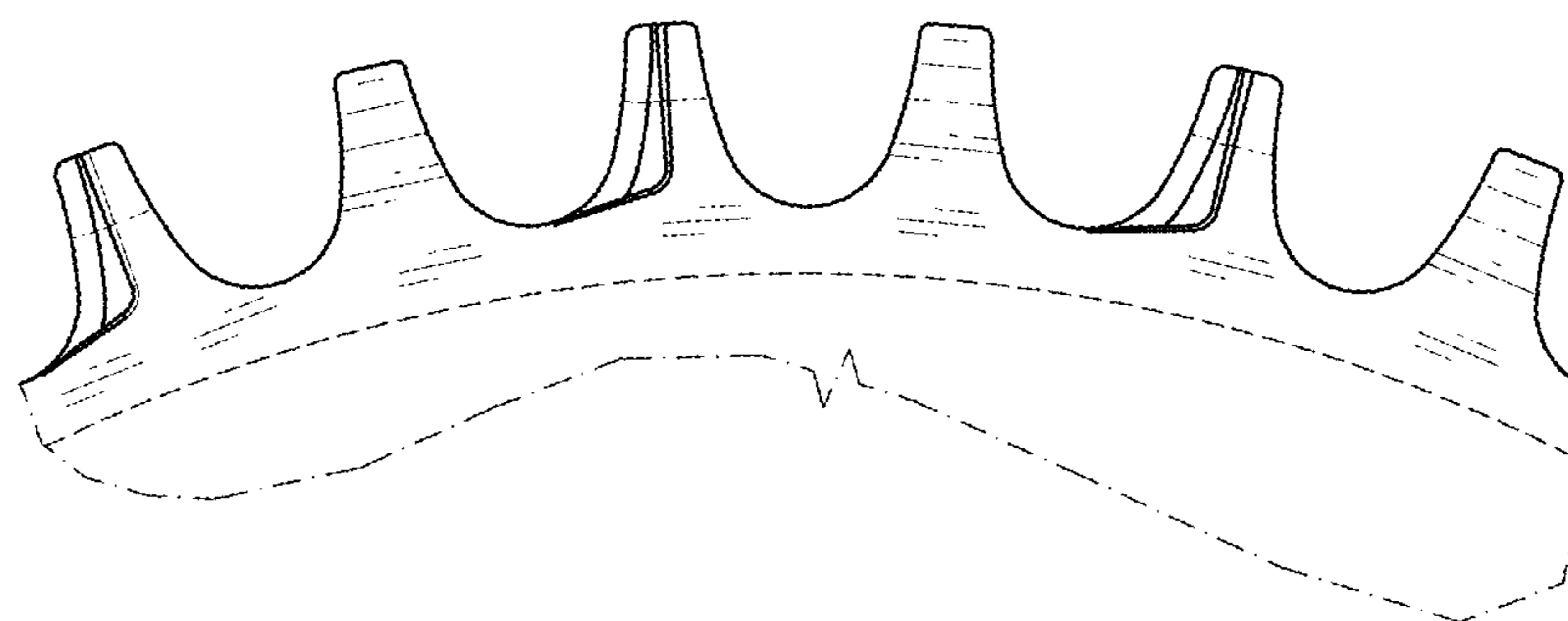


FIG. 4

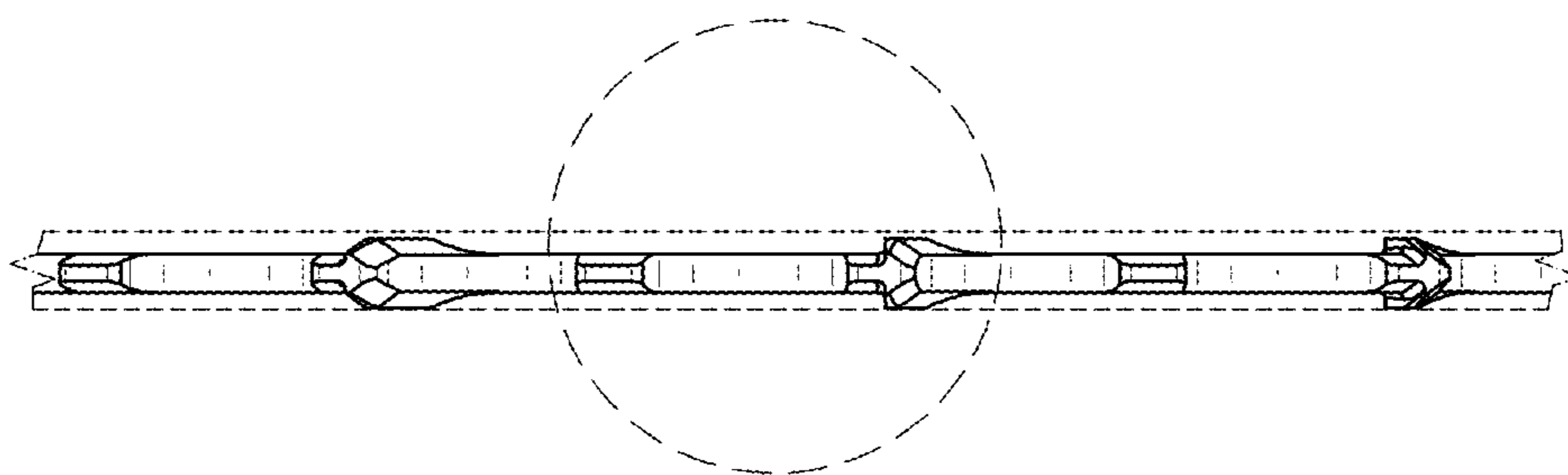


FIG. 5

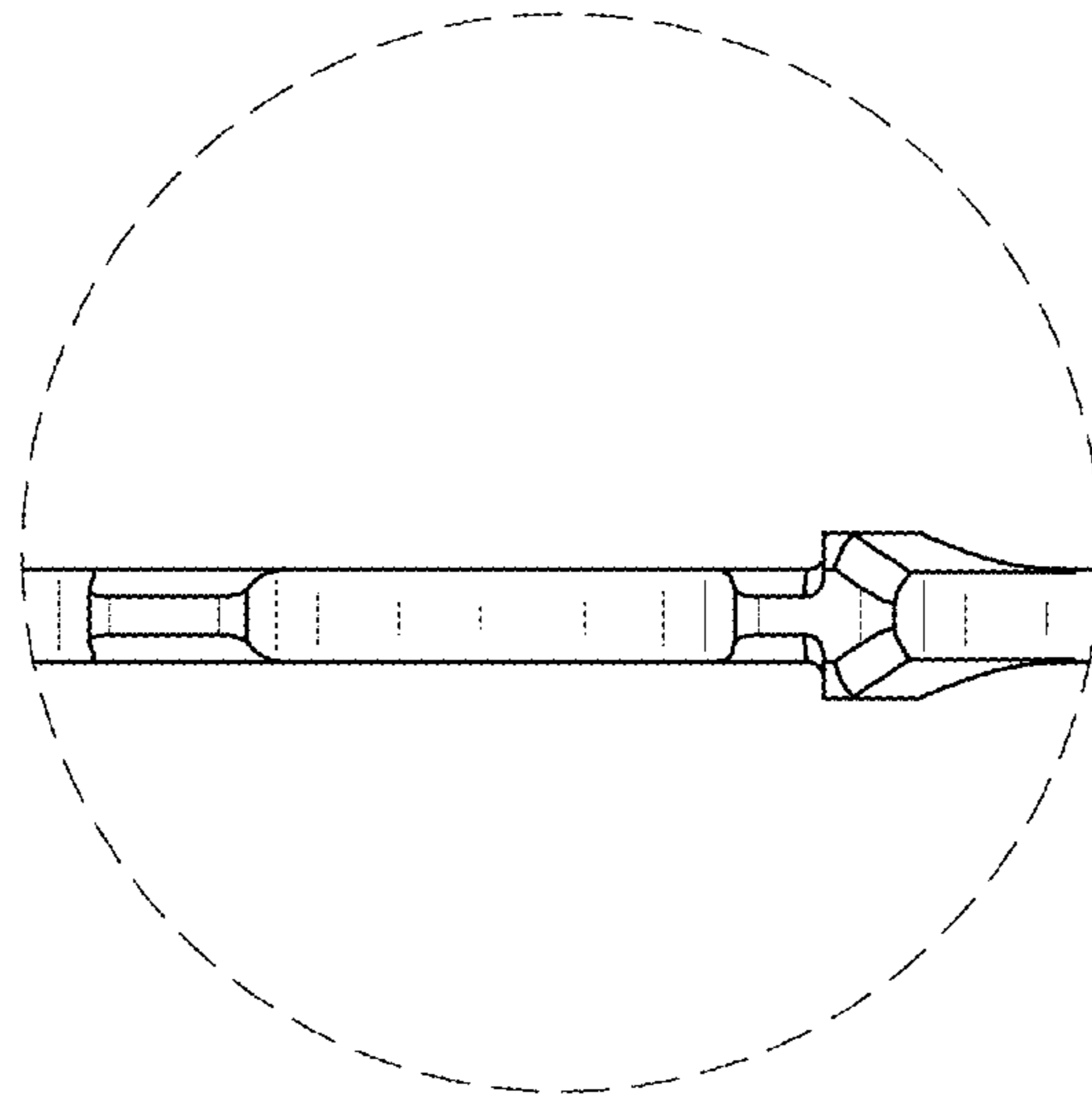


FIG. 6

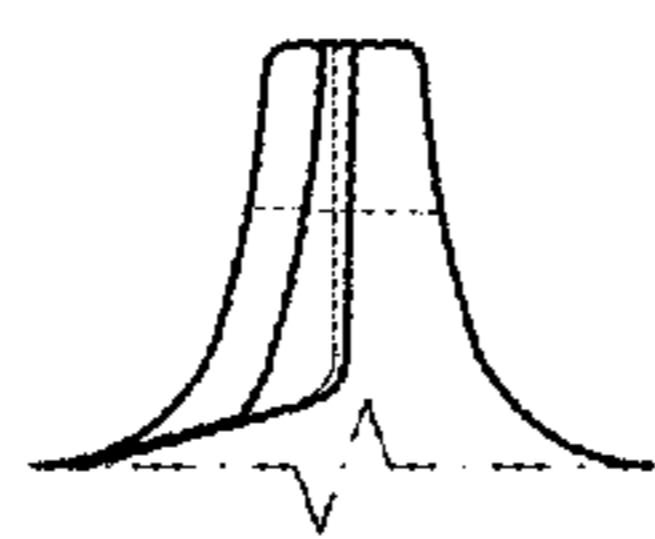


FIG. 7

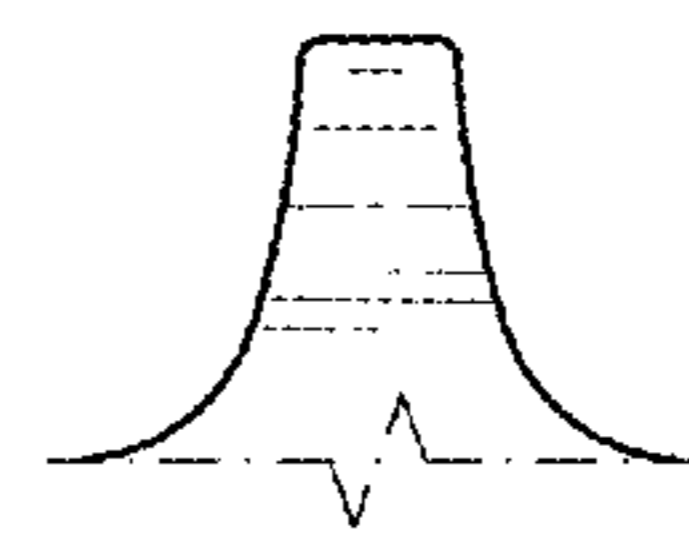


FIG. 8

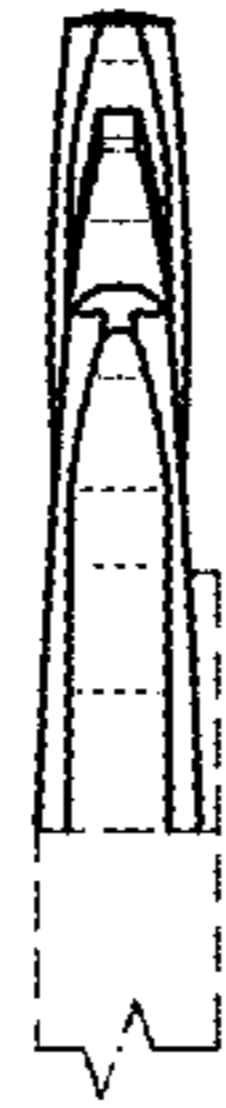


FIG. 9



FIG. 10