



US00D949749S

(12) **United States Design Patent**
Chen

(10) **Patent No.:** **US D949,749 S**

(45) **Date of Patent:** **** Apr. 26, 2022**

(54) **DRIFTING KART**

(71) Applicant: **RAZOR USA LLC**, Cerritos, CA (US)

(72) Inventor: **Robert (Wei-Pin) Chen**, San Marino, CA (US)

(73) Assignee: **Razor USA LLC**, Cerritos, CA (US)

(**) Term: **15 Years**

(21) Appl. No.: **29/722,562**

(22) Filed: **Jan. 30, 2020**

Related U.S. Application Data

(63) Continuation of application No. 29/653,253, filed on Jun. 13, 2018, now Pat. No. Des. 874,986, which is a continuation of application No. 29/587,645, filed on Dec. 14, 2016, now Pat. No. Des. 820,733, which is a continuation of application No. 29/521,091, filed on Mar. 19, 2015, now Pat. No. Des. 774,981.

(51) **LOC (13) Cl.** **12-11**

(52) **U.S. Cl.**
USPC **D12/112**; D21/426

(58) **Field of Classification Search**
USPC D12/1, 87, 107, 110–114, 129, 130, 133;
D21/412, 414, 419, 423–428, 431–435
CPC B60K 7/0007; B62D 23/00; B62D 29/004;
B62D 61/08; B62D 63/02; B62D 9/00;
B60L 11/1805; B60L 11/1818; B60L
11/1879; B60L 11/1877
See application file for complete search history.

(56) **References Cited**

U.S. PATENT DOCUMENTS

1,231,531 A 6/1917 Shilling
1,932,031 A 10/1933 Saverio
3,062,559 A 6/1959 Hewitt
D189,614 S 1/1961 Beale

D190,024 S 4/1961 Rouse
3,053,550 A 9/1962 Joachim et al.
3,099,326 A 7/1963 Weigel et al.

(Continued)

FOREIGN PATENT DOCUMENTS

CN 2198169 Y 5/1995
CN 1569548 A 1/2005

(Continued)

OTHER PUBLICATIONS

Aamoth, Doug, "Razor Builds the Ultimate Drifting Go-Kart: Why Must I Always Be Over the Weight Limit for Everything Good in This World?," Jul. 11, 2013, retrieved on Aug. 6, 2016, <http://techland.time.com/2013/07/11/razor-builds-the-ultimate-drifting-go-kart-why-must-i-always-be-over-the-weight-limit-for-everything-good-in-this-world/>, in 2 pages.

(Continued)

Primary Examiner — Darlington Ly

(74) *Attorney, Agent, or Firm* — Knobbe, Martens, Olson & Bear, LLP

(57) **CLAIM**

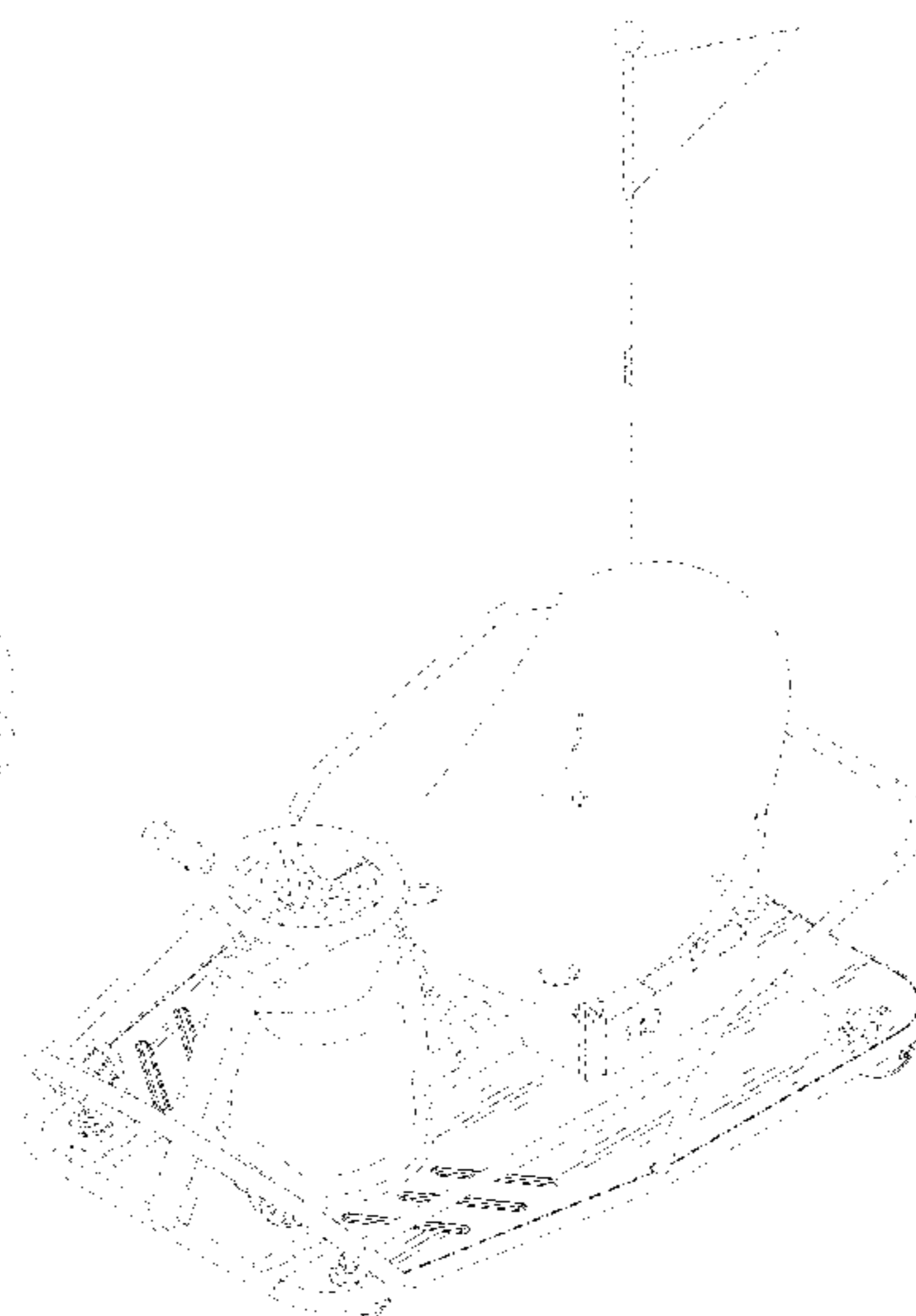
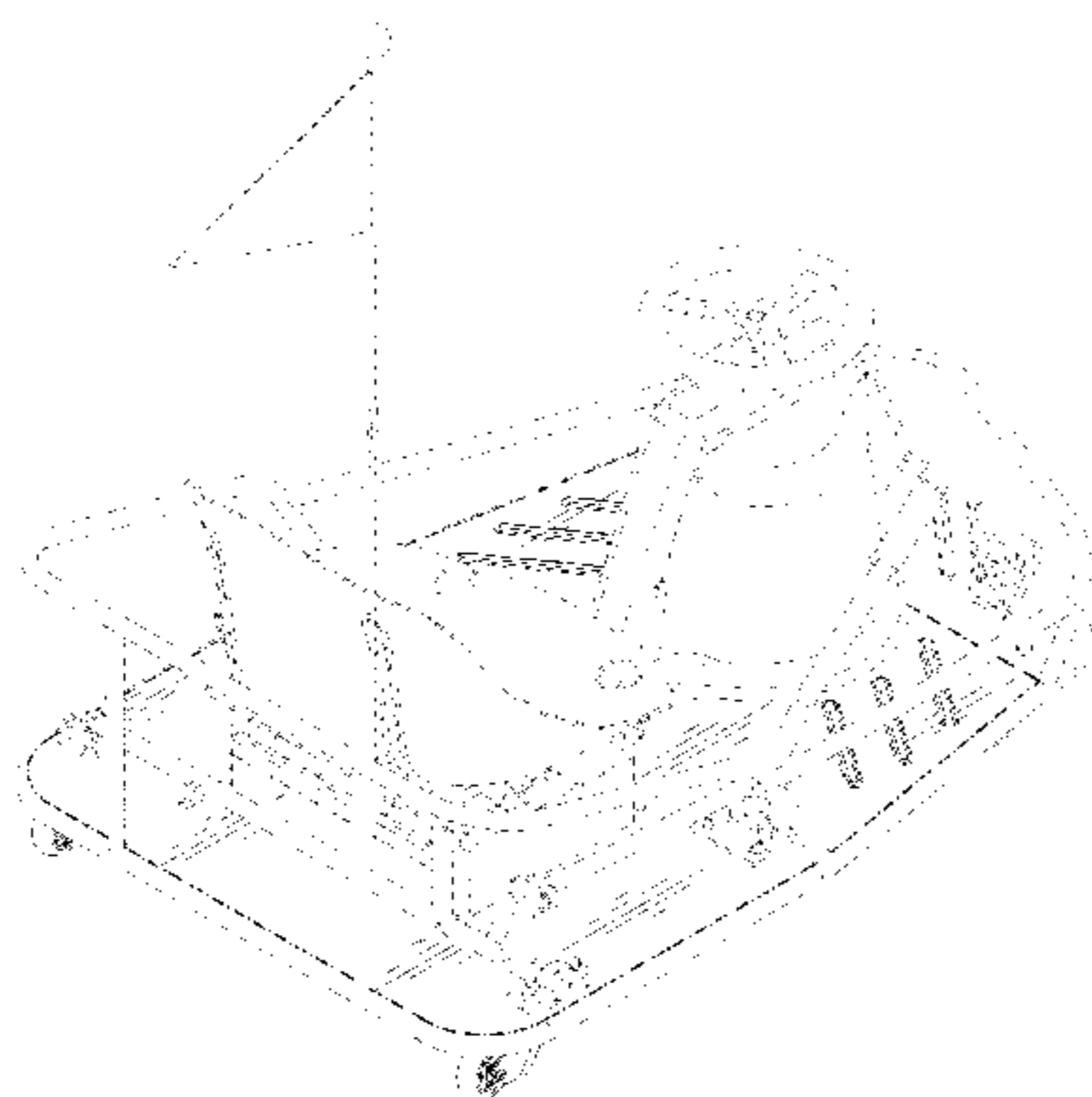
The ornamental designs for a drifting kart, as shown and described.

DESCRIPTION

FIG. 1 is a top, rear, and right side perspective view of a drifting kart embodying my new design;
FIG. 2 is a top, front, and left side perspective view thereof;
FIG. 3 is a front elevation view thereof;
FIG. 4 is a rear elevation view thereof;
FIG. 5 is a right side elevation view thereof;
FIG. 6 is a left side elevation view thereof; and,
FIG. 7 is a top plan view thereof.

Broken lines are used to illustrate features of the drifting kart which form no part of the claimed design. Dash-dot lines indicate a boundary of claimed subject matter.

1 Claim, 7 Drawing Sheets



(56)

References Cited

U.S. PATENT DOCUMENTS

| | | | | |
|-----------|-----|---------|---------------------|------------------------|
| 3,125,177 | A | 3/1964 | Paller | |
| 3,512,599 | A | 5/1970 | Hott et al. | |
| 3,533,484 | A * | 10/1970 | Wood, Jr. | B62M 6/55 180/206.4 |
| D222,283 | S | 10/1971 | Reeves | |
| 3,700,058 | A | 10/1972 | Kuwahara | |
| 3,799,283 | A | 3/1974 | Freber | |
| 3,829,117 | A | 8/1974 | Park | |
| 3,938,608 | A | 2/1976 | Folco-Zambelli | |
| 3,960,392 | A | 6/1976 | Read | |
| D243,627 | S | 3/1977 | Clower | |
| D246,198 | S * | 10/1977 | Rose | D21/426 |
| 4,065,144 | A | 12/1977 | Winchell | |
| D249,496 | S * | 9/1978 | Morgan | D12/112 |
| D251,264 | S | 3/1979 | Cook et al. | |
| D252,714 | S * | 8/1979 | Tidwell | D21/426 |
| 4,281,844 | A | 8/1981 | Jackman et al. | |
| 4,359,231 | A | 11/1982 | Mulcahy | |
| 4,403,673 | A | 9/1983 | Ball | |
| D276,058 | S * | 10/1984 | Rogers | D21/426 |
| D280,916 | S * | 10/1985 | Castle | D21/426 |
| 4,572,535 | A | 2/1986 | Stewart | |
| D290,451 | S | 6/1987 | Engum | |
| 4,682,668 | A | 7/1987 | Salmon et al. | |
| 4,750,578 | A | 6/1988 | Brandenfels | |
| 4,826,190 | A | 5/1989 | Hartmann | |
| 4,886,294 | A | 12/1989 | Nahachewski | |
| 4,896,899 | A | 1/1990 | Lawrence | |
| 4,898,508 | A | 2/1990 | Hayata | |
| 4,915,075 | A | 4/1990 | Brown | |
| 4,944,360 | A | 7/1990 | Sturges | |
| 4,993,733 | A | 2/1991 | Eilers | |
| 5,036,938 | A | 8/1991 | Blount et al. | |
| D320,420 | S * | 10/1991 | Dupont | D21/426 |
| D320,586 | S * | 10/1991 | Tellinghuisen | D12/112 |
| D332,765 | S | 1/1993 | Tellinghuisen | |
| D332,977 | S | 2/1993 | Huffman et al. | |
| 5,257,671 | A | 11/1993 | Watkins | |
| 5,265,690 | A | 11/1993 | Amundsen et al. | |
| 5,340,139 | A | 8/1994 | Davis | |
| D355,879 | S | 2/1995 | Winbald | |
| D356,765 | S | 3/1995 | DiMatteo | |
| 5,477,936 | A | 12/1995 | Sugioka et al. | |
| D366,021 | S | 1/1996 | Tharp | |
| 5,479,998 | A | 1/1996 | Ishikawa | |
| 5,494,126 | A | 2/1996 | Meeker | |
| D369,130 | S | 4/1996 | Cummings | |
| D378,226 | S | 2/1997 | Sundqvist | |
| 5,628,379 | A | 5/1997 | Watkins | |
| D390,281 | S | 2/1998 | O'Rourke | |
| D394,164 | S | 5/1998 | Safrit | |
| 5,816,592 | A | 10/1998 | Horton, II et al. | |
| 5,826,670 | A | 10/1998 | Nan | |
| D404,928 | S | 2/1999 | Safrit | |
| D408,869 | S | 4/1999 | Patmont | |
| D409,538 | S | 5/1999 | Isetani et al. | |
| 5,904,218 | A | 5/1999 | Watkins | |
| D410,880 | S | 6/1999 | Conterno | |
| D412,138 | S | 7/1999 | Triarsi et al. | |
| 5,931,499 | A | 8/1999 | Sutherland | |
| D419,507 | S | 1/2000 | Triarsi et al. | |
| 6,022,049 | A | 2/2000 | Wiggins, Jr. | |
| 6,026,923 | A | 2/2000 | Uphaus | |
| 6,047,786 | A | 4/2000 | Stevenson et al. | |
| D424,996 | S | 5/2000 | McShay, Jr. | |
| D433,828 | S | 11/2000 | Safrit | |
| D434,086 | S | 11/2000 | Ford | |
| D439,871 | S | 4/2001 | Goebert et al. | |
| D440,607 | S | 4/2001 | Mahlow | |
| D445,740 | S | 7/2001 | Hartog | |
| 6,267,190 | B1 | 7/2001 | Micheletti | |
| 6,276,480 | B1 | 8/2001 | Aregger | |
| 6,349,786 | B1 | 2/2002 | Gift | |
| D460,723 | S | 7/2002 | Smit | |
| D465,814 | S | 11/2002 | Kovelski | |
| D466,560 | S | 12/2002 | Stolpmann | |
| D469,819 | S | 2/2003 | Nicolle et al. | |
| D471,936 | S | 3/2003 | Tilbor et al. | |
| 6,530,598 | B1 | 3/2003 | Kirby | |
| D482,882 | S | 12/2003 | Murphy | |
| D483,191 | S | 12/2003 | Murphy | |
| D483,420 | S | 12/2003 | Delong et al. | |
| D488,194 | S | 4/2004 | Fox et al. | |
| 6,729,421 | B1 | 5/2004 | Gluck | |
| 6,749,039 | B1 | 6/2004 | Uphaus | |
| D493,391 | S | 7/2004 | Gunter | |
| 6,766,871 | B2 | 7/2004 | Sawyer | |
| D498,709 | S | 11/2004 | Sramek | |
| D500,707 | S | 1/2005 | Lu | |
| D503,658 | S | 4/2005 | Lu | |
| D512,467 | S * | 12/2005 | Hadley | D21/424 |
| D513,483 | S | 1/2006 | Buhrman | |
| 7,117,967 | B2 | 10/2006 | Kidd | |
| 7,198,322 | B2 | 4/2007 | Savo | |
| D557,911 | S | 12/2007 | Herold, III et al. | |
| D562,914 | S | 2/2008 | Oveson et al. | |
| D570,572 | S | 6/2008 | Whiteside et al. | |
| D574,297 | S | 8/2008 | Carl | |
| D575,675 | S | 8/2008 | Williams et al. | |
| D582,489 | S | 12/2008 | Bandanjo | |
| D582,992 | S * | 12/2008 | Alais | D21/426 |
| D587,176 | S | 2/2009 | Yang et al. | |
| 7,552,934 | B2 | 6/2009 | Lee et al. | |
| D601,640 | S | 10/2009 | McIlvain et al. | |
| D608,250 | S | 1/2010 | Van De | |
| D611,106 | S | 3/2010 | Van Beek | |
| 7,712,558 | B2 | 5/2010 | Helson et al. | |
| D619,519 | S | 7/2010 | Granata | |
| D619,943 | S | 7/2010 | Granata | |
| 7,779,850 | B2 | 8/2010 | Caldwell | |
| 7,823,675 | B2 | 11/2010 | Kermani | |
| D637,116 | S | 5/2011 | Kettler | |
| D637,660 | S | 5/2011 | Markowitz | |
| D644,580 | S | 9/2011 | Markowitz et al. | |
| D646,086 | S | 10/2011 | Hickman et al. | |
| 8,091,658 | B2 | 1/2012 | Peng | |
| 8,356,686 | B2 | 1/2013 | Kermani | |
| 8,365,850 | B2 | 2/2013 | Gal et al. | |
| D682,739 | S | 5/2013 | Patterson et al. | |
| D682,746 | S | 5/2013 | Doherty et al. | |
| D690,147 | S | 9/2013 | Meyer | |
| D692,505 | S * | 10/2013 | Jiang | D21/426 |
| D692,506 | S * | 10/2013 | Jiang | D21/426 |
| 8,627,910 | B1 | 1/2014 | Carque | |
| D705,128 | S | 5/2014 | Patterson et al. | |
| 8,757,644 | B2 | 6/2014 | Satou | |
| 8,801,005 | B1 | 8/2014 | Flickner et al. | |
| 8,820,460 | B2 | 9/2014 | Chen | |
| 8,840,131 | B1 | 9/2014 | Galley | |
| 8,875,831 | B2 | 11/2014 | Kermani | |
| 8,931,583 | B2 | 1/2015 | Tuckowski | |
| 9,102,375 | B2 | 8/2015 | Kermani | |
| D739,318 | S | 9/2015 | Rancan et al. | |
| 9,139,248 | B2 | 9/2015 | Xiao | |
| D761,700 | S * | 7/2016 | Kermani | D12/112 |
| D766,780 | S | 9/2016 | Fusco | |
| D771,196 | S * | 11/2016 | Chen | D21/424 |
| 9,499,220 | B2 | 11/2016 | Kermani | |
| D773,359 | S | 12/2016 | Okuyama et al. | |
| D774,602 | S | 12/2016 | Desberg | |
| D774,981 | S * | 12/2016 | Chen | D12/112 |
| D775,282 | S | 12/2016 | Williams et al. | |
| D776,016 | S | 1/2017 | Androski et al. | |
| D776,204 | S | 1/2017 | Van Der Berg | |
| 9,557,740 | B2 | 1/2017 | Crawley | |
| D778,369 | S | 2/2017 | Douma et al. | |
| D783,726 | S | 4/2017 | Williams et al. | |
| D787,379 | S * | 5/2017 | Kermani | D12/112 |
| D787,610 | S * | 5/2017 | Desberg | D21/425 |
| D789,262 | S | 6/2017 | Chen | |
| D792,811 | S | 7/2017 | Kermani et al. | |
| D793,480 | S * | 8/2017 | Chen | D21/424 |
| D793,481 | S * | 8/2017 | Kermani | D21/426 |
| D793,912 | S * | 8/2017 | Kermani | D12/112 |

(56)

References Cited

U.S. PATENT DOCUMENTS

D801,242 S 10/2017 Kim
 D807,438 S 1/2018 Desberg
 D809,982 S 2/2018 Hosozawa
 D813,314 S 3/2018 Montagne
 D816,001 S 4/2018 Kim
 D820,178 S 6/2018 Kim
 D820,733 S * 6/2018 Chen D12/112
 D827,522 S 9/2018 Villamizar et al.
 D830,469 S 10/2018 Kermani et al.
 D830,470 S 10/2018 Chen
 10,245,194 B2 4/2019 Kermani
 10,266,197 B2 * 4/2019 Desberg B62B 9/102
 D848,166 S 5/2019 Braun
 D850,328 S 6/2019 Allais
 D852,892 S * 7/2019 Chen D21/426
 D852,893 S * 7/2019 Kermani D21/426
 D854,457 S 7/2019 Kermani
 D854,458 S * 7/2019 Kermani D12/112
 D855,339 S 8/2019 Ochs
 10,434,860 B2 10/2019 Chen et al.
 D872,657 S 1/2020 Li
 10,543,776 B2 1/2020 Matsushima
 D874,986 S * 2/2020 Chen D12/112
 D890,854 S 7/2020 Kermani et al.
 D890,855 S 7/2020 Chen
 10,822,014 B2 11/2020 Boittiaux et al.
 10,843,720 B2 11/2020 Kwon et al.
 D913,165 S 3/2021 Kermani
 D913,878 S 3/2021 Kermani
 2002/0011374 A1 1/2002 Brister
 2002/0175027 A1 11/2002 Usherovich
 2003/0102657 A1 6/2003 Kuo
 2004/0035627 A1 2/2004 Richey et al.
 2004/0040769 A1 3/2004 Richey et al.
 2004/0199311 A1 * 10/2004 Aguilar G09B 9/042
 701/36
 2005/0103554 A1 5/2005 Meglioli
 2005/0173180 A1 8/2005 Hypes et al.
 2007/0045022 A1 3/2007 Greig et al.
 2007/0151777 A1 7/2007 Peng
 2008/0122209 A1 5/2008 Jayasuriya
 2008/0196951 A1 8/2008 Gal et al.
 2009/0007721 A1 1/2009 Cortina et al.
 2009/0065272 A1 3/2009 Martin et al.
 2010/0032223 A1 * 2/2010 Kermani B62K 5/025
 180/216
 2012/0133111 A1 5/2012 Schmutzer et al.

2015/0328994 A1* 11/2015 Chen B62D 61/08
 180/65.31

2016/0214557 A1 7/2016 Villa
 2017/0156953 A1 6/2017 Kermani
 2018/0043950 A1* 2/2018 Kermani B62D 29/004
 2020/0022856 A1 1/2020 Kermani
 2020/0062100 A1 2/2020 Chen et al.

FOREIGN PATENT DOCUMENTS

CN 2936826 8/2007
 CN 200977859 11/2007
 CN 201009762 Y 1/2008
 CN 203186508 U 9/2013
 CN 203427959 U 2/2014
 CN 203864416 U 10/2014
 CN 204527453 U 8/2015
 CN 105083006 A 11/2015
 CN 205087107 U 3/2016
 CN 206012763 U 3/2017
 EP 0529188 A1 3/1993
 FR 859864 A 12/1940
 JP 07-285345 A 10/1995
 JP 2000-127982 A 5/2000
 JP 2007-082817 A 4/2007
 JP 2010-047206 A 3/2010
 WO WO 2018/032730 2/2018
 WO WO 2018/035060 A1 2/2018

OTHER PUBLICATIONS

International Written Opinion of International Patent Application No. PCT/CN2017/072086, dated May 19, 2017.
 OTL Elektrokart, "Storm Series—Competition" Datasheet, Jun. 14, 2014, retrieved on Aug. 6, 2016, <https://www.kart1.com/pdf/competition.pdf>, in 3 pages.
 Razor USA: "Crazy Cart", Jul. 21, 2016 (Jul. 21, 2016), Retrieved from the Internet: URL: https://www.razor.com/wp-content/uploads/2018/02/CrazyCartshift_MAN_US_160721-1.pdf [retrieved on Mar. 3, 2020].
 Recreation Ltd. "Razor Crazy Cart Shift Ride Video", Youtube, Aug. 15, 2016 (Aug. 15, 2016), Retrieved from the Internet: URL: <https://youtube.com/watch?v=KjrfsfSiMZ4> [retrieved on Apr. 10, 2020].

* cited by examiner

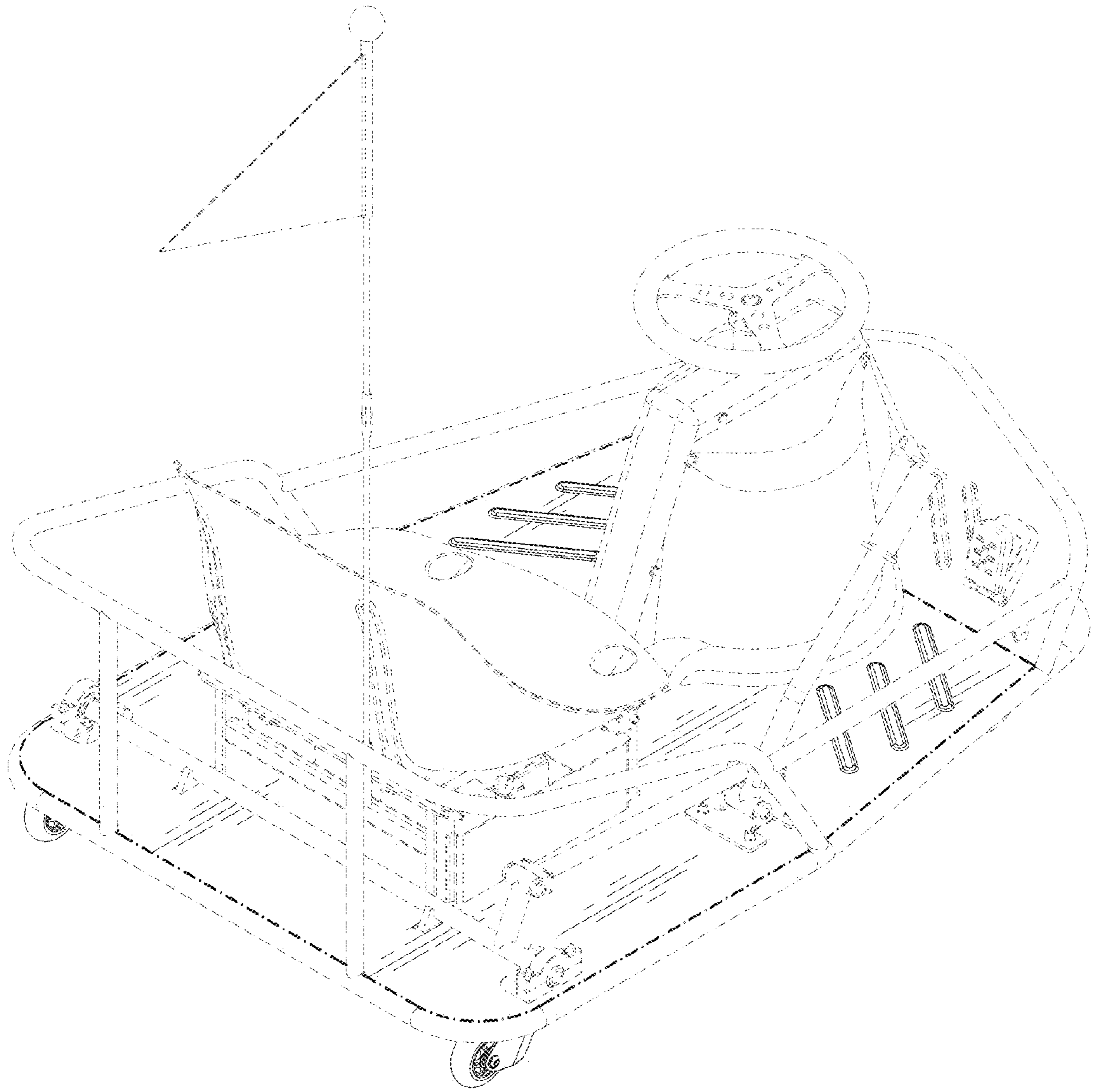


FIG. 1

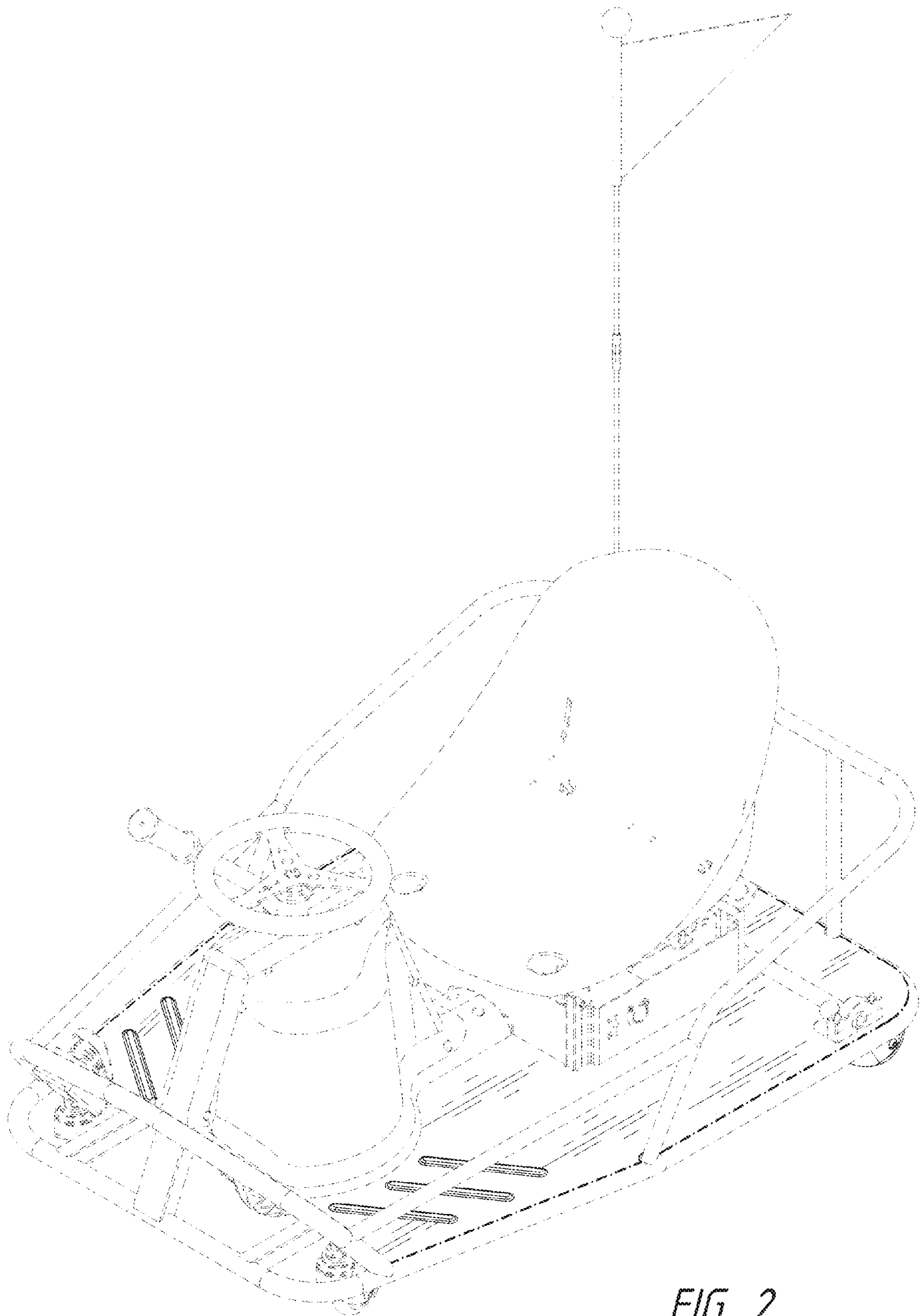


FIG. 2

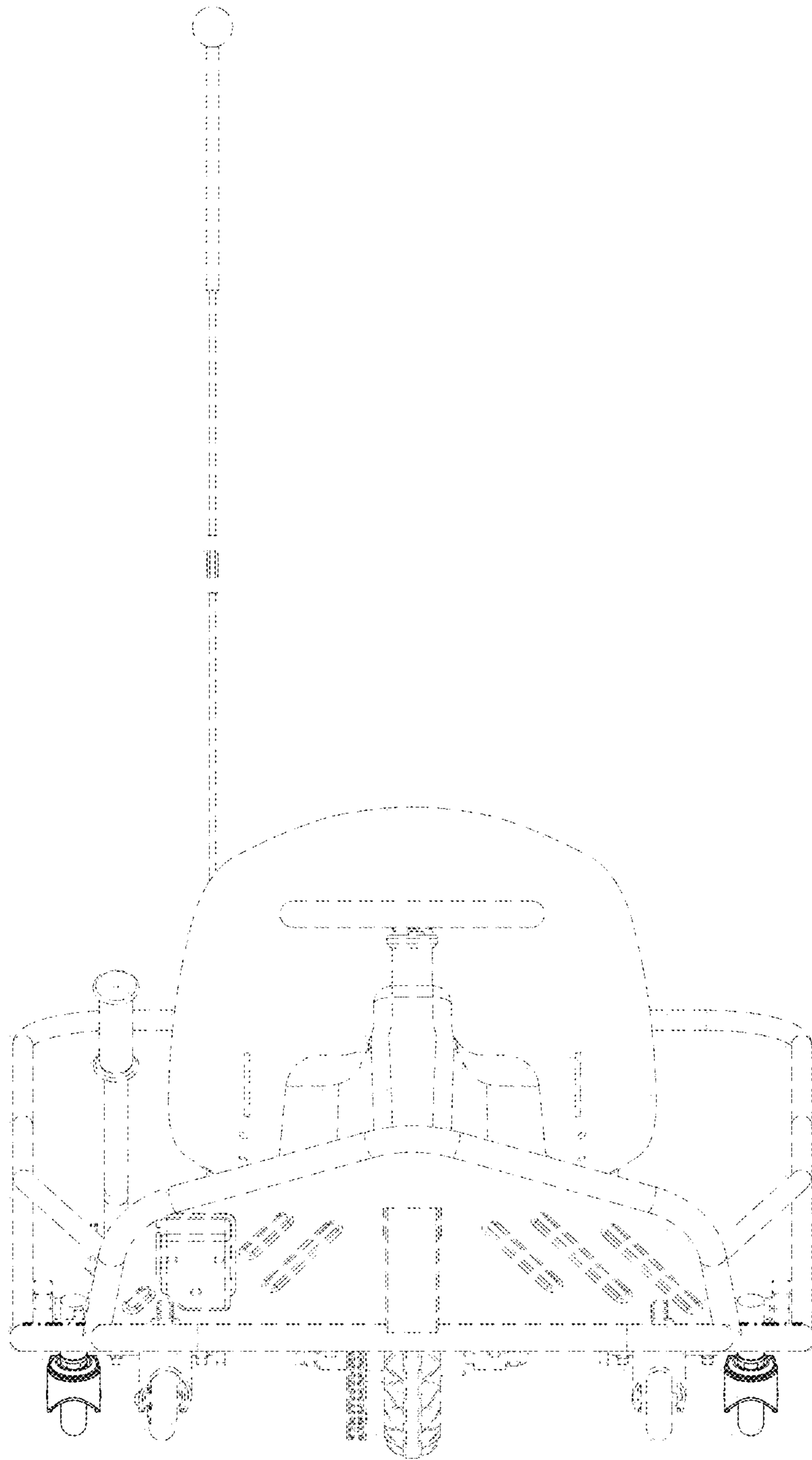


FIG. 3

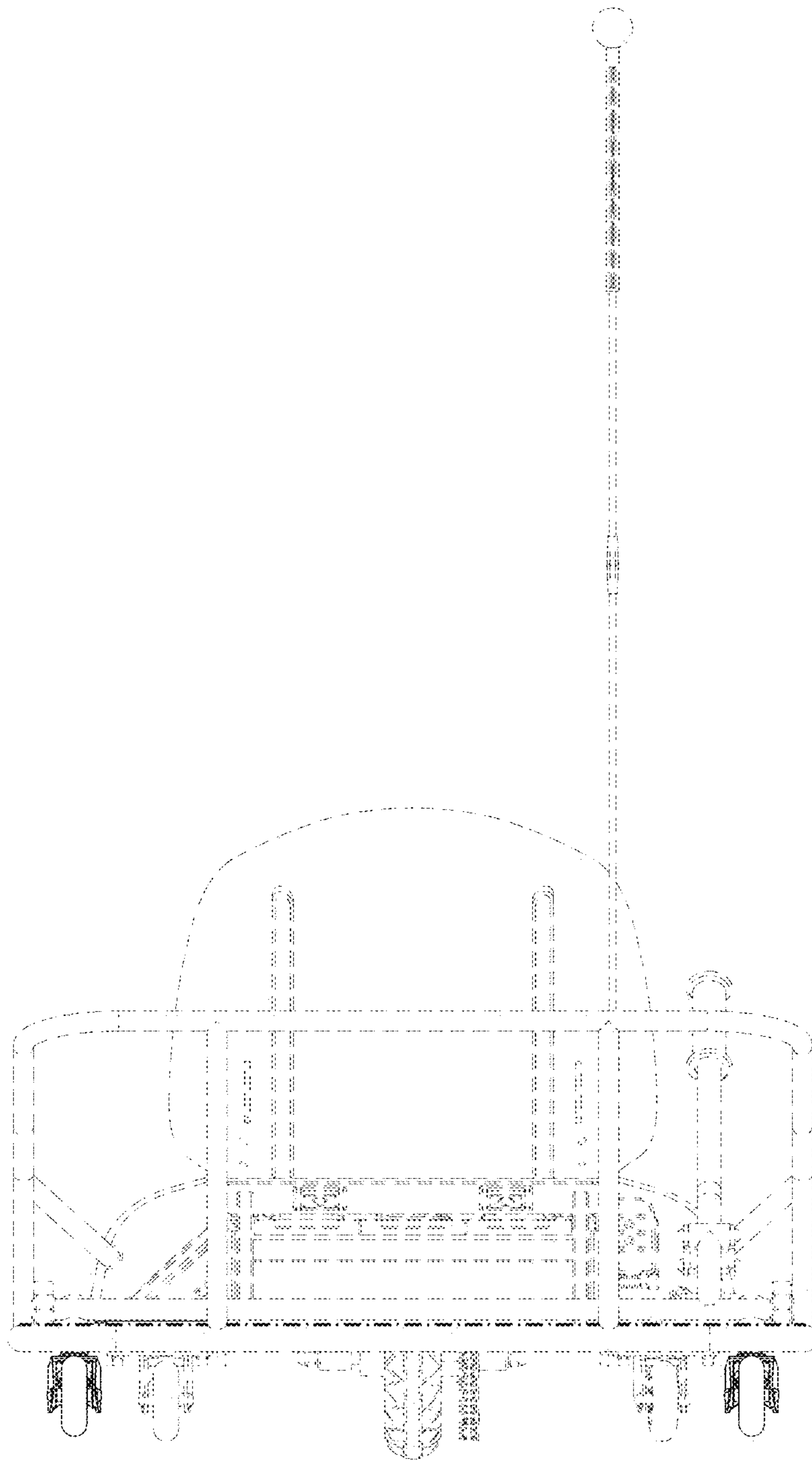


FIG. 4

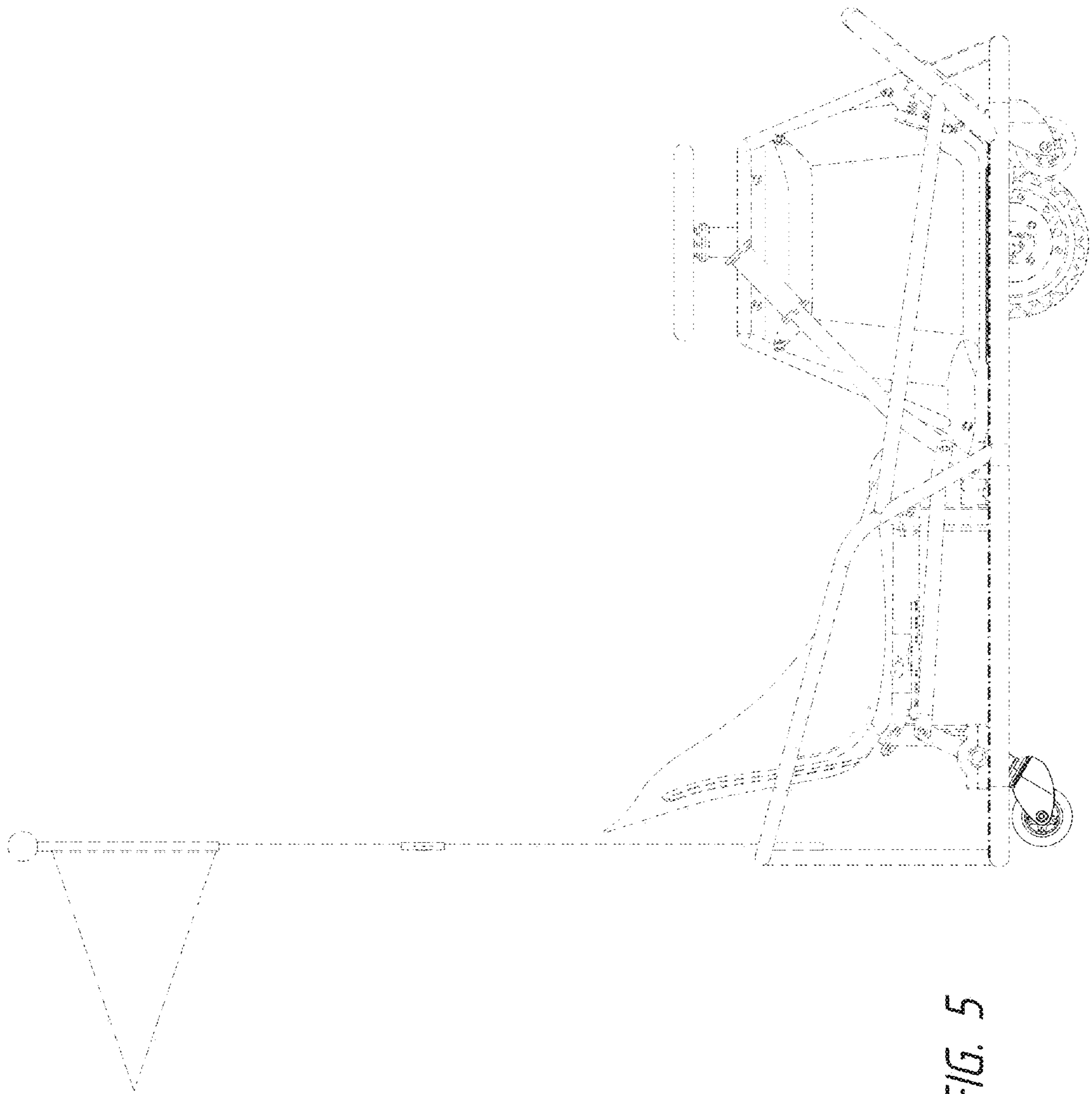


FIG. 5

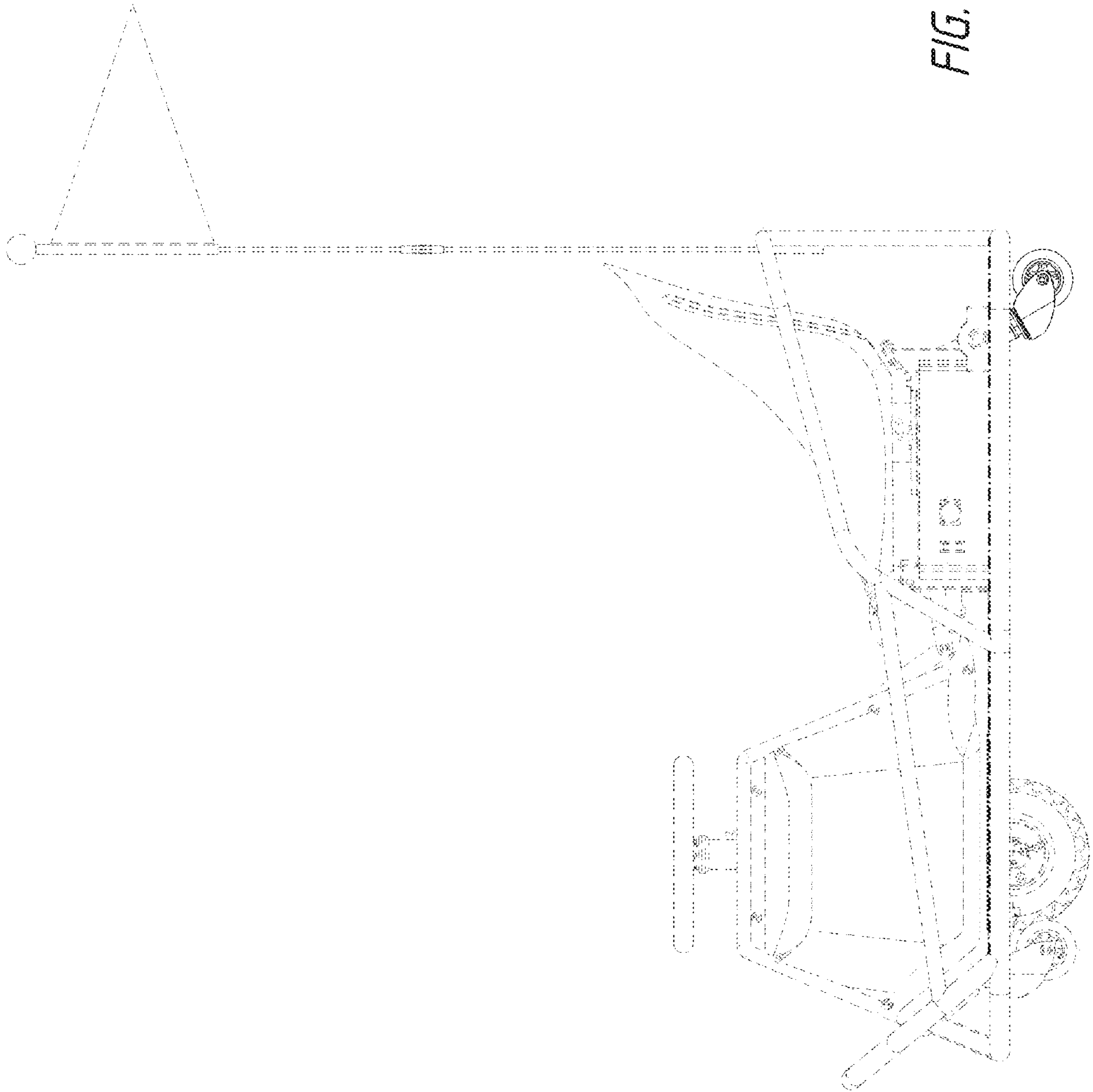


FIG. 6

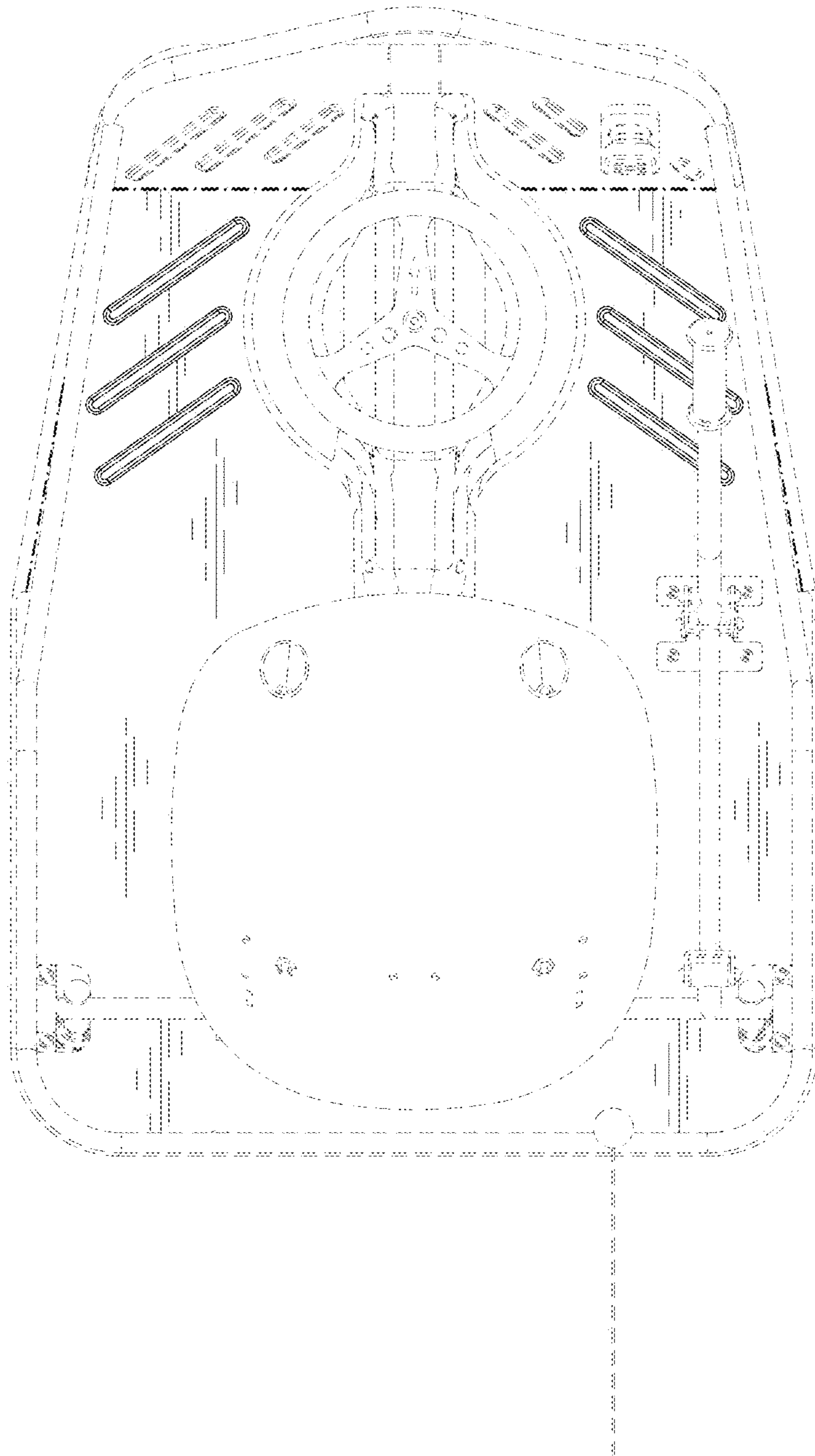


FIG. 7