



US00D949748S

(12) **United States Design Patent** (10) **Patent No.:** **US D949,748 S**  
**Lu** (45) **Date of Patent:** **\*\* Apr. 26, 2022**

(54) **ELECTRIC SCOOTER**  
(71) Applicant: **Zhejiang Okai Vehicle Co., Ltd.**,  
Lishui (CN)  
(72) Inventor: **Jiangtao Lu**, Lishui (CN)  
(73) Assignee: **Zhejiang Okai Vehicle Co., Ltd.**,  
Lishui (CN)

D877,258 S \* 3/2020 Cao ..... D21/423  
D889,557 S \* 7/2020 Cao ..... D21/423  
D916,985 S \* 4/2021 Wu ..... D21/423  
D917,626 S \* 4/2021 Ye ..... D21/423  
D918,305 S \* 5/2021 Fan ..... D21/423  
D919,712 S \* 5/2021 Gao ..... D21/423  
D922,306 S \* 6/2021 Dongfang ..... D12/423  
D923,103 S \* 6/2021 Zheng ..... D21/423  
D923,715 S \* 6/2021 Wang ..... D21/423

(Continued)

(\*\*) Term: **15 Years**

**OTHER PUBLICATIONS**

(21) Appl. No.: **29/751,366**

“Ireland’s First E-Scooter Trial Launches” Tier., posted date Jul. 20, 2021 [online], [retrieved on Aug. 26, 2021]. Retrieved from the Internet <URL: <https://www.tier.app/irelands-first-e-scooter-trial-launches/>> (Year: 2021).\*

(22) Filed: **Sep. 21, 2020**

(Continued)

(30) **Foreign Application Priority Data**

May 25, 2020 (CN) ..... 202030245949.4

*Primary Examiner* — Darlington Ly

(51) **LOC (13) Cl.** ..... **12-11**

*Assistant Examiner* — Nasim Abdulaziz Ali

(52) **U.S. Cl.**  
USPC ..... **D12/110**

(74) *Attorney, Agent, or Firm* — Muncy, Geissler, Olds & Lowe, P.C.

(58) **Field of Classification Search**  
USPC ..... D12/1, 110, 111, 117; D21/412, 414,  
D21/419, 421, 423, 435, 760, 763, 765,  
D21/771, 432, 532  
CPC ..... B62K 3/002; B62K 9/00; B62K 2202/00;  
B62K 15/00; B62K 2015/001; B62K  
2015/003; B62K 11/00; B62K 11/02;  
B62K 11/04; B62K 11/10; B62K 17/00;  
B62K 19/00; B60Y 2200/126

(57) **CLAIM**

The ornamental design for an electric scooter, as shown and described.

See application file for complete search history.

**DESCRIPTION**

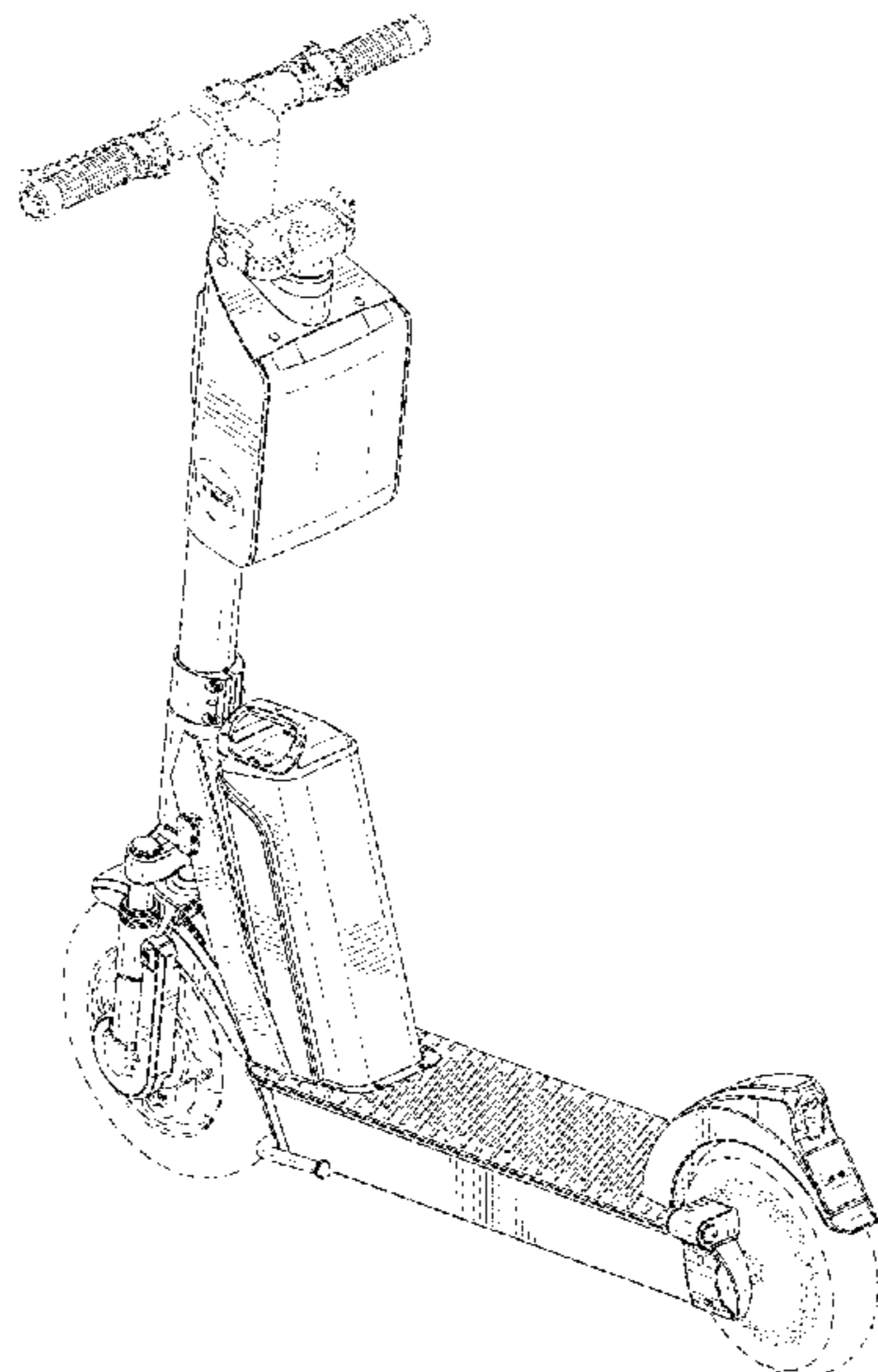
(56) **References Cited**

**U.S. PATENT DOCUMENTS**

D449,860 S \* 10/2001 Lin ..... D21/423  
D815,215 S \* 4/2018 Desberg ..... D21/423  
D834,097 S \* 11/2018 Lin ..... D21/423  
D837,303 S \* 1/2019 Desberg ..... D21/423  
D839,358 S \* 1/2019 Cao ..... D21/423  
D855,115 S \* 7/2019 Yan ..... D21/423

FIG. 1 is a perspective view of an electric scooter showing my new design;  
FIG. 2 is a front elevational view thereof;  
FIG. 3 is a rear elevational view thereof;  
FIG. 4 is a left side elevational view thereof;  
FIG. 5 is a right side elevational view thereof;  
FIG. 6 is a top plan view thereof; and,  
FIG. 7 is a bottom plan view thereof.  
The broken lines illustrate portions of the electric scooter which form no part of the claimed design.

**1 Claim, 7 Drawing Sheets**



(56)

**References Cited**

U.S. PATENT DOCUMENTS

D926,890 S \* 8/2021 Lu ..... D21/423  
D927,604 S \* 8/2021 Han ..... D21/423

OTHER PUBLICATIONS

“Tier Mobility launching new e-scooter series” Tier., posted date Jun. 9, 2019 [online], [retrieved on Aug. 26, 2021]. Retrieved from the Internet <URL: <https://www.electrive.com/2019/06/09/tier-mobility-launching-new-e-scooter-series/>> (Year: 2019).\*

“Tier: E-Scooter” Tier., posted date Jul. 5, 2021 [online], [retrieved on Aug. 26, 2021]. Retrieved from the Internet <URL: <https://www.trendingtopics.at/tier-e-scooter-in-wien-nun-auch-in-google-maps-integriert/>> (Year: 2021).\*

\* cited by examiner

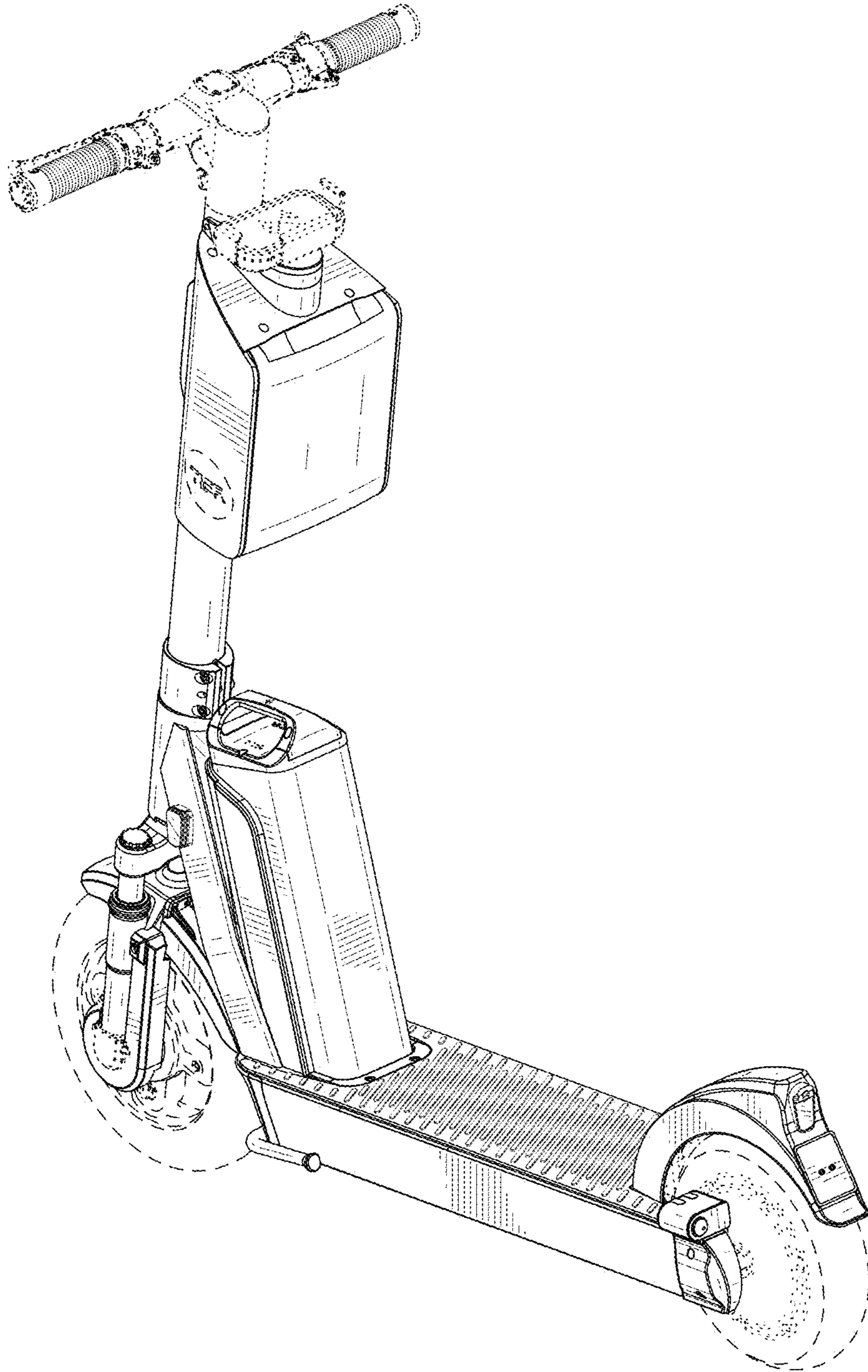


FIG. 1

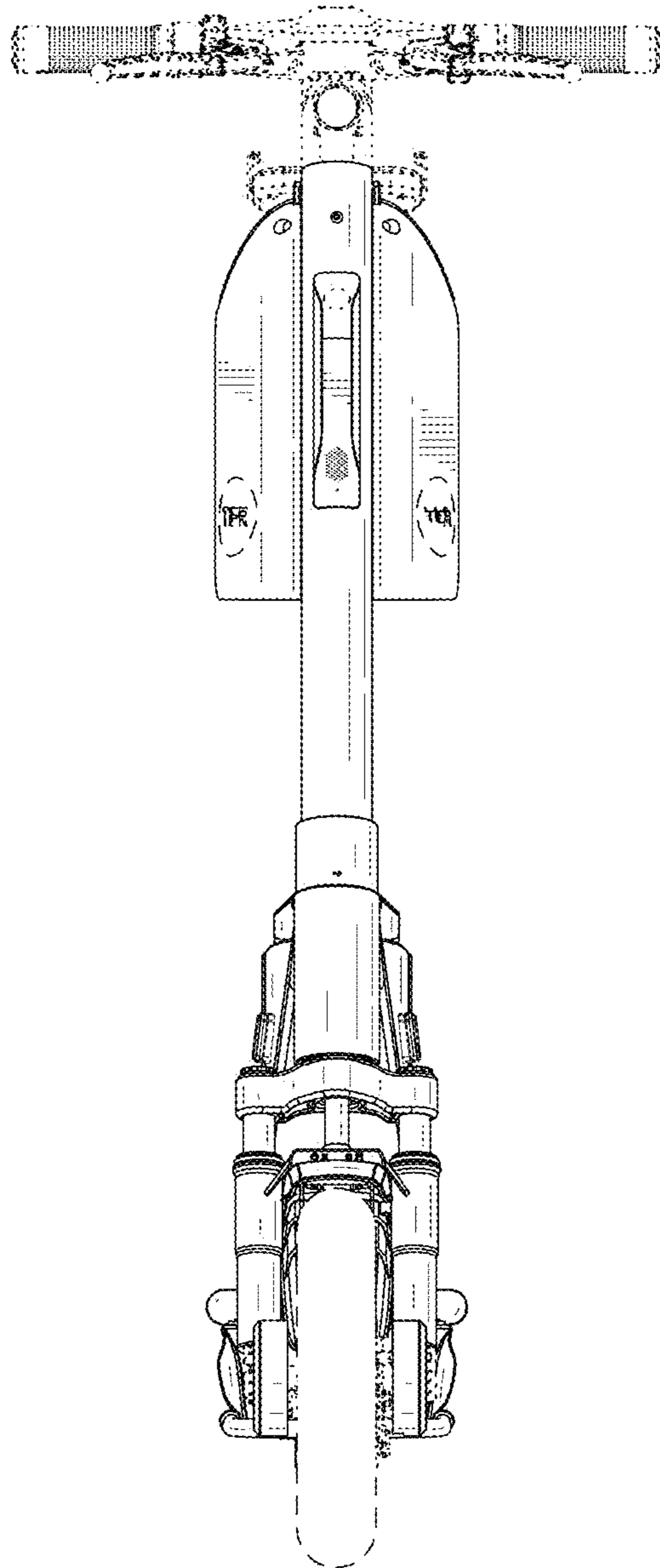


FIG.2

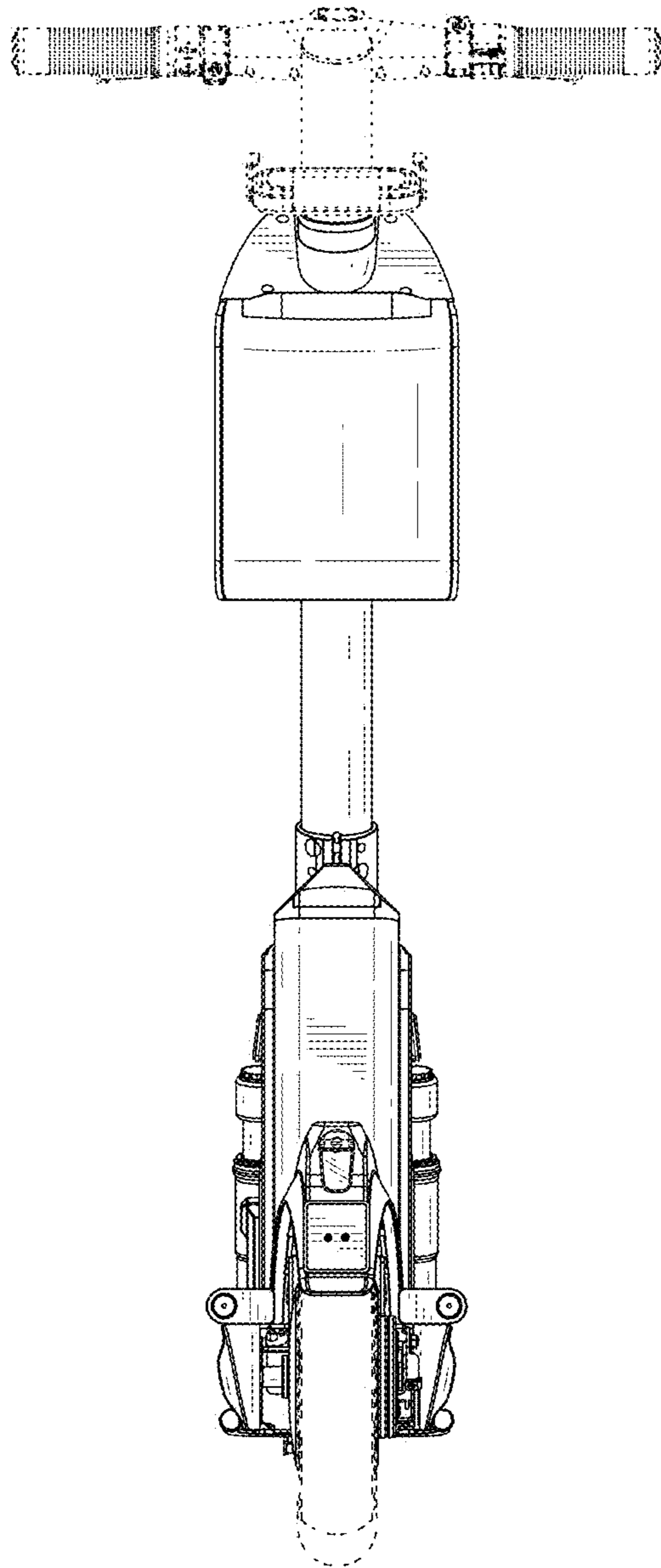


FIG.3



FIG.4



FIG.5

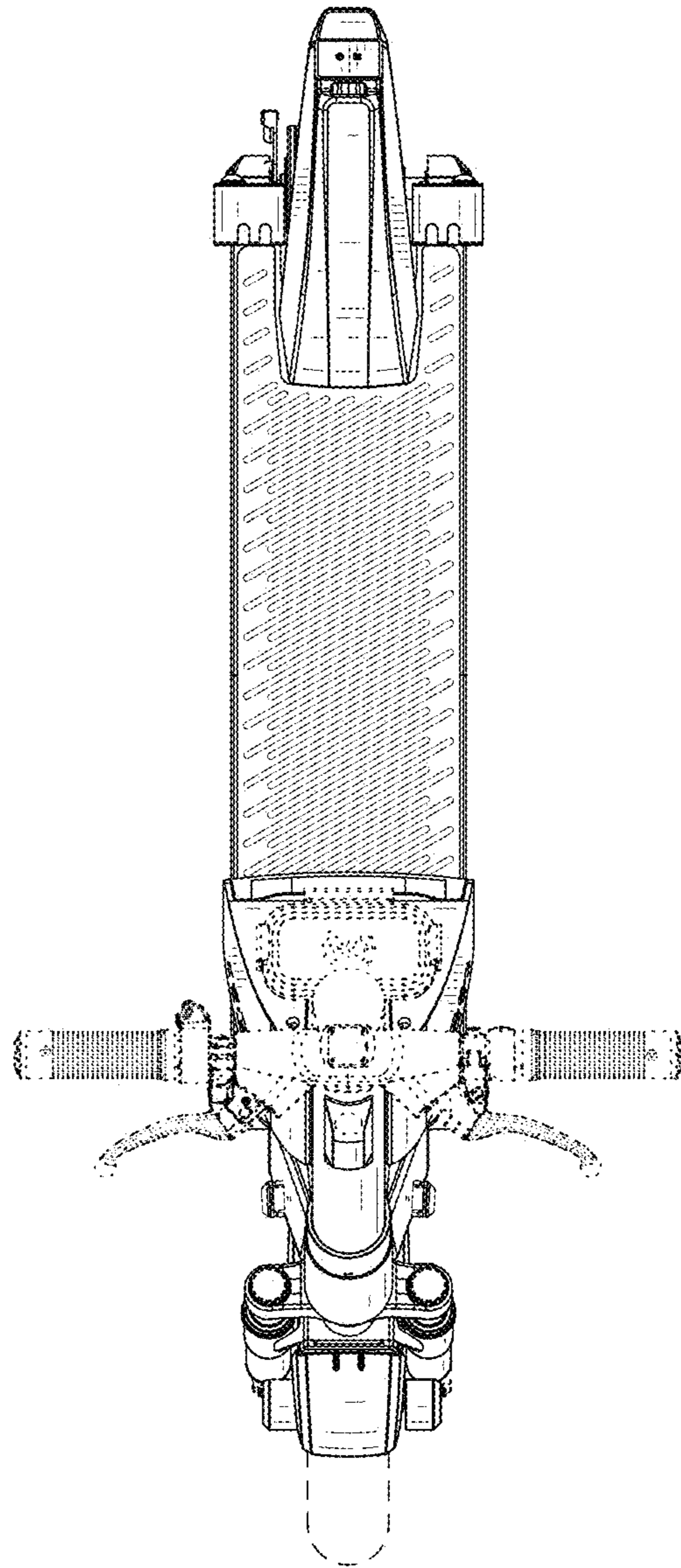


FIG.6



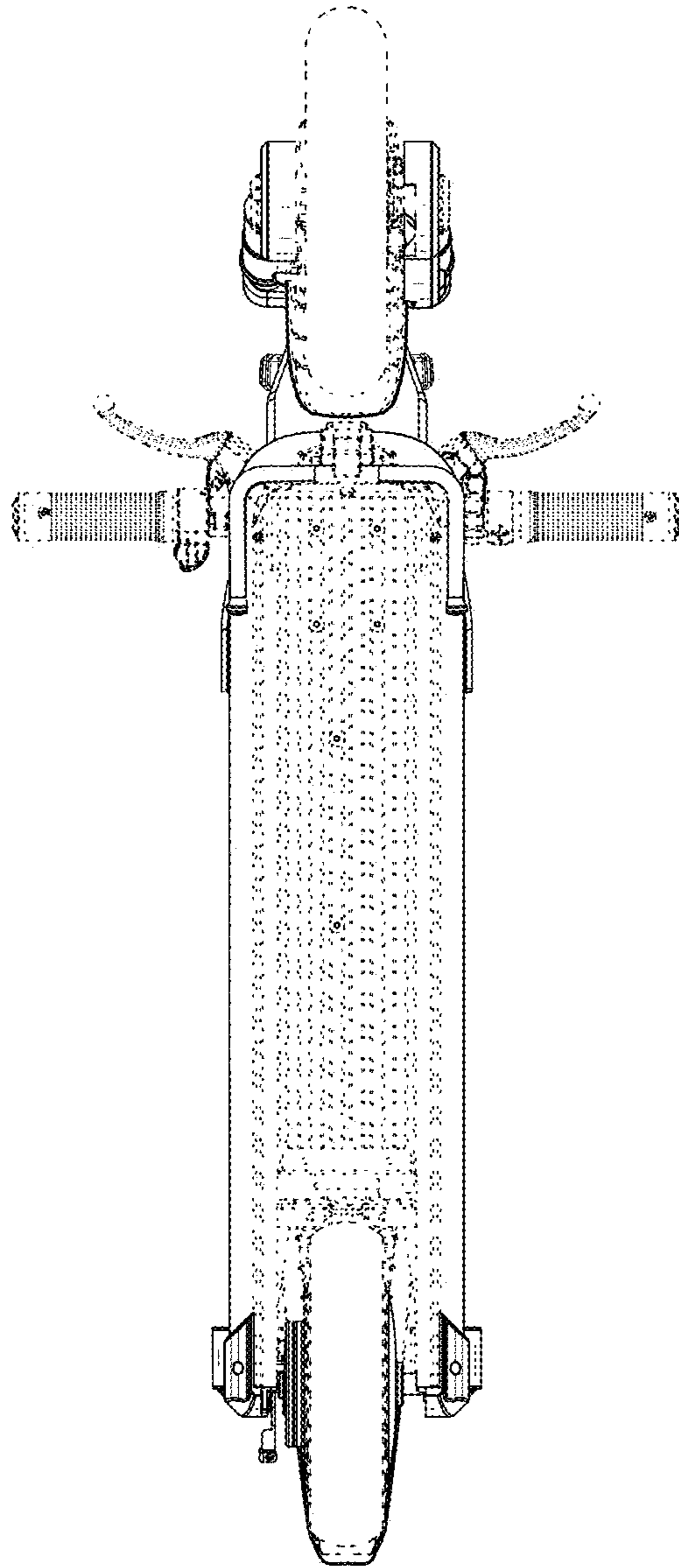


FIG.7