



US00D949747S

(12) **United States Design Patent**
Alexandru

(10) **Patent No.:** **US D949,747 S**

(45) **Date of Patent:** **** Apr. 26, 2022**

(54) **RECREATIONAL VEHICLE LEVELER**

(71) Applicant: **PAN TECH CONCEPT SRL,**
Bucharest (RO)

(72) Inventor: **Pana Florin Alexandru,** Bucharest
(RO)

(73) Assignee: **PAN TECH CONCEPT SRL,**
Bucharest (RO)

(**) Term: **15 Years**

(21) Appl. No.: **29/752,979**

(22) Filed: **Sep. 29, 2020**

(51) **LOC (13) Cl.** **12-16**

(52) **U.S. Cl.**
USPC **D12/106**

(58) **Field of Classification Search**
USPC D12/217, 400, 223, 106; D34/31, 32;
D25/102, 113; D8/354
See application file for complete search history.

(56) **References Cited**

U.S. PATENT DOCUMENTS

D314,850 S *	2/1991	Arnold	D34/32
D511,734 S *	11/2005	Moore	D12/217
D531,106 S *	10/2006	Davidian	D12/217
D673,106 S *	12/2012	Rossman	D12/217

D683,924 S *	6/2013	Wolfenbarger	D34/32
D705,514 S *	5/2014	Tai	D34/32
D809,988 S *	2/2018	Angel	D12/217
D855,005 S *	7/2019	Delancey	D12/217
D868,635 S *	12/2019	Angel	D12/106
D918,522 S *	5/2021	Angel	D34/32
D918,523 S *	5/2021	Angel	D34/32
D918,776 S *	5/2021	Angel	D12/106
D928,065 S *	8/2021	McGugan	D12/217
2012/0090925 A1 *	4/2012	White	B60T 3/00 188/32

* cited by examiner

Primary Examiner — Stacia A Cadmus

(74) *Attorney, Agent, or Firm* — Bay State IP, LLC

(57) **CLAIM**

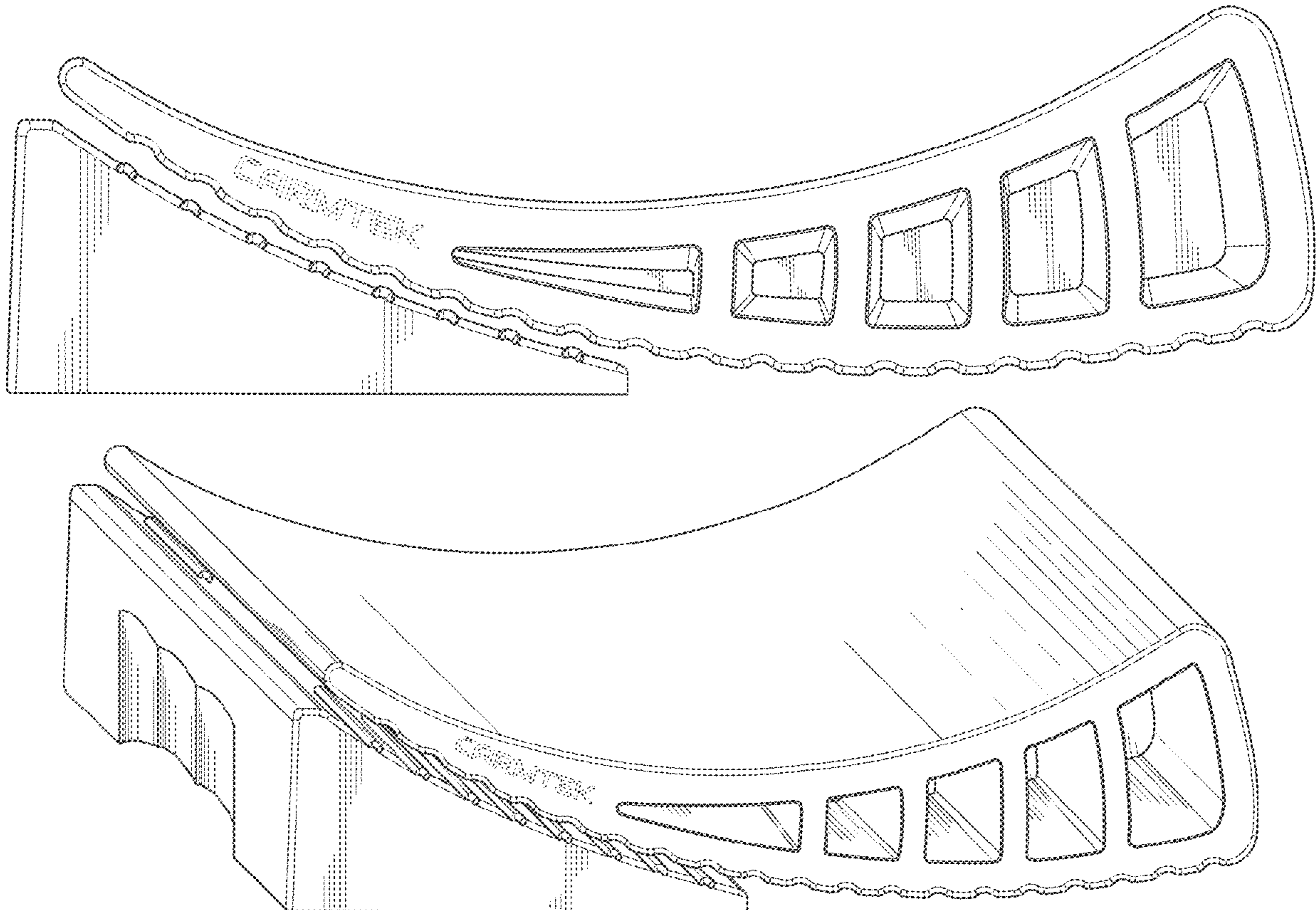
The ornamental design for a recreational vehicle leveler, as shown and described.

DESCRIPTION

FIG. 1 is a right side view showing my new design;
FIG. 2 is a left side view thereof;
FIG. 3 is a back view thereof;
FIG. 4 is a front view thereof;
FIG. 5 is a top view thereof; and,
FIG. 6 is a perspective view thereof.

In the drawings, the broken lines depict portions of a recreational vehicle leveler that form no part of the claimed design.

1 Claim, 6 Drawing Sheets



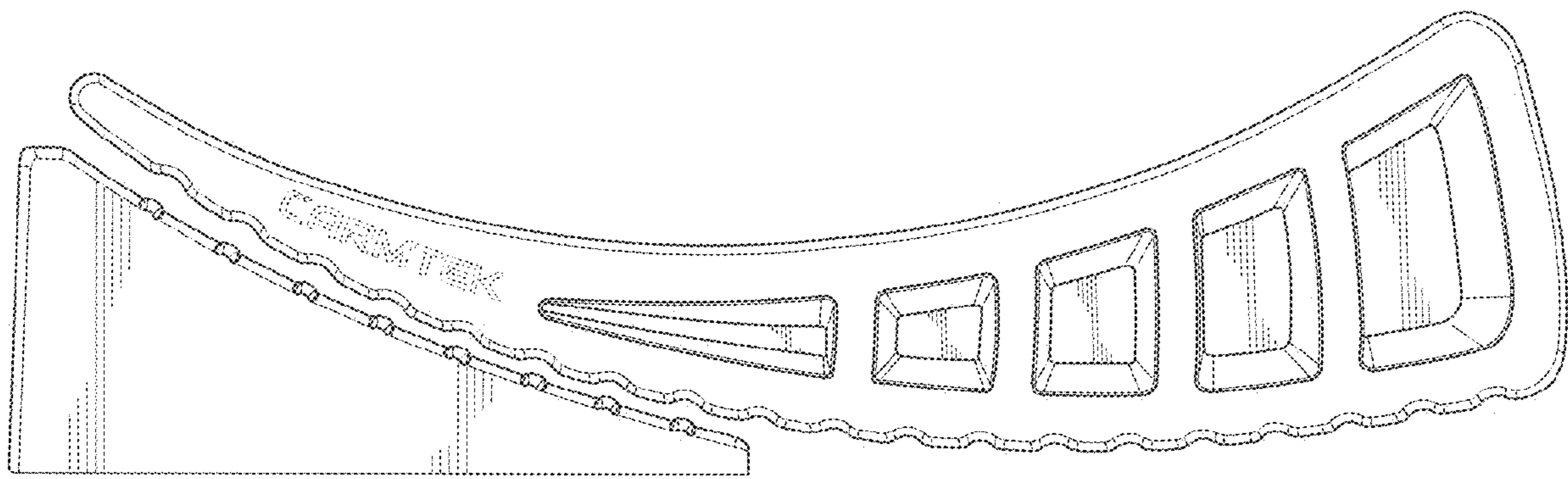


FIG. 1

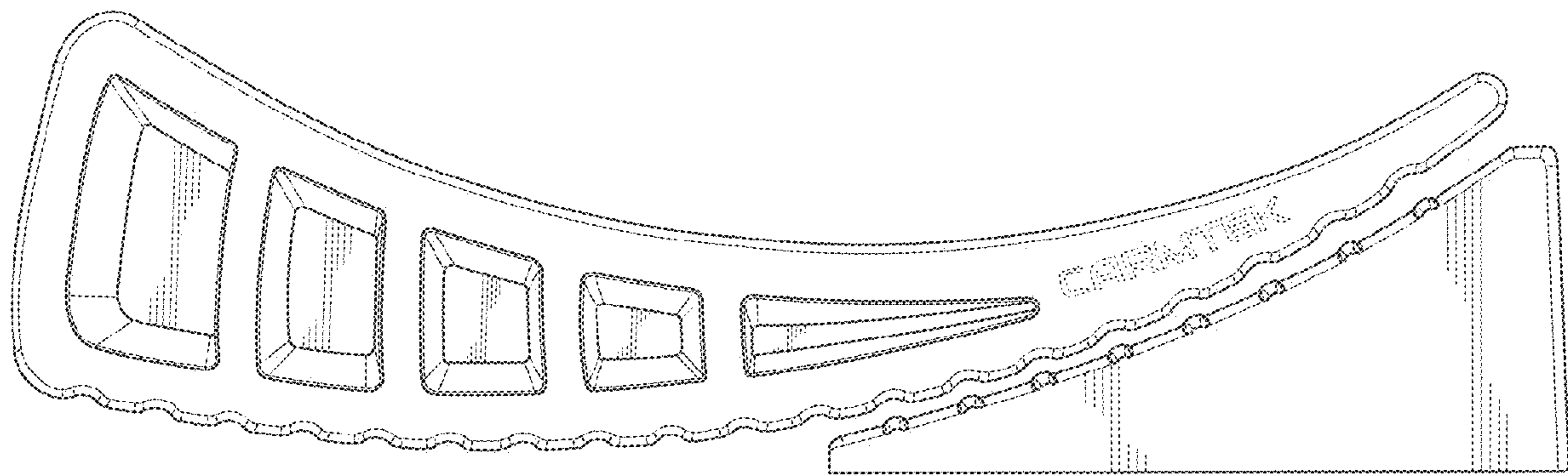


FIG. 2

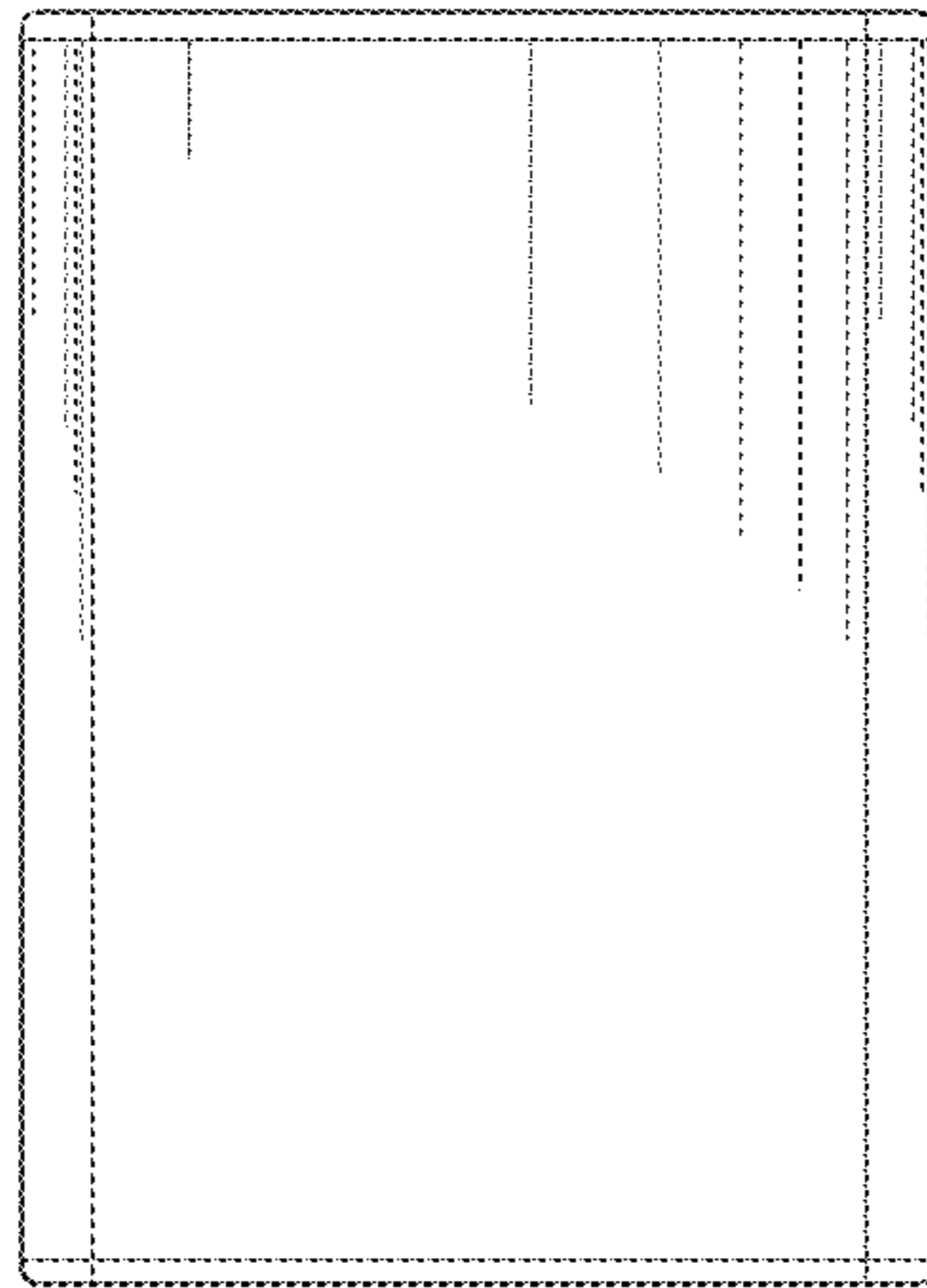


FIG. 3

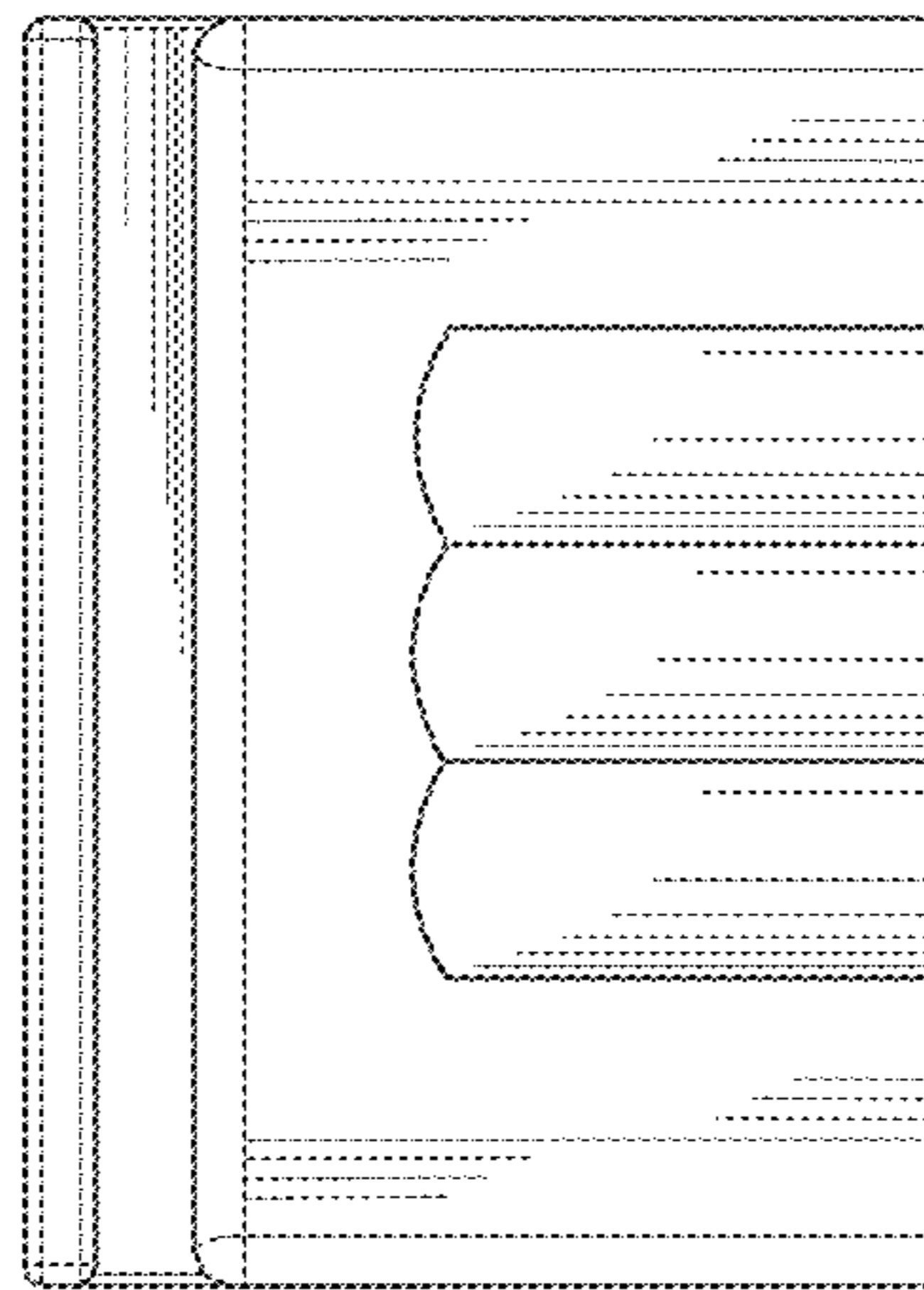


FIG. 4



FIG. 5

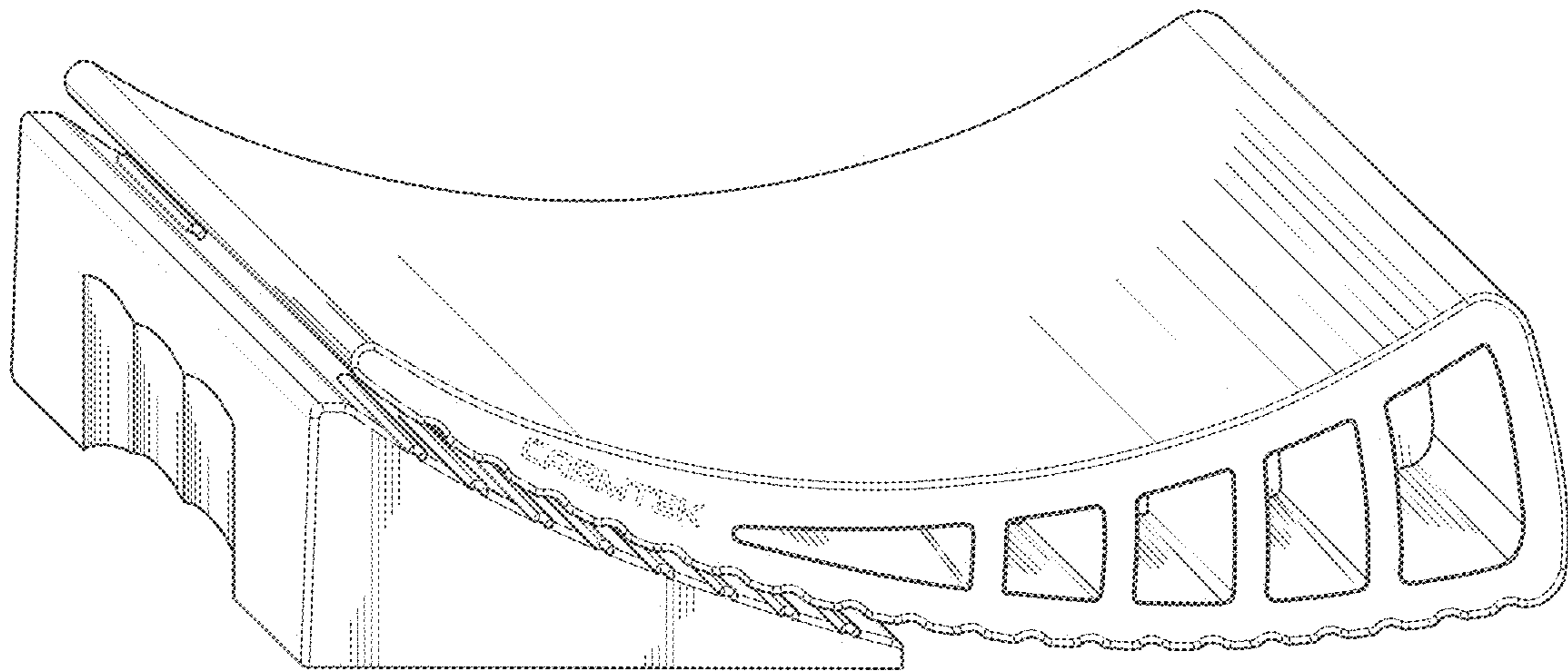


FIG. 6