



US00D949732S

(12) **United States Design Patent** (10) **Patent No.:** **US D949,732 S**  
**Skinner** (45) **Date of Patent:** **\*\* Apr. 26, 2022**

(54) **RING APPARATUS**  
(71) Applicant: **Jerry Skinner**, Weatherford, TX (US)  
(72) Inventor: **Jerry Skinner**, Weatherford, TX (US)  
(\*\*) Term: **15 Years**  
(21) Appl. No.: **29/672,424**  
(22) Filed: **Dec. 5, 2018**  
(51) **LOC (13) Cl.** ..... **11-01**  
(52) **U.S. Cl.**  
USPC ..... **D11/28**; D17/20  
(58) **Field of Classification Search**  
USPC ..... D11/1-25, 26-39; D29/113, 114;  
D8/40, 18; D22/117; D17/20  
CPC ..... A44C 5/00; A44C 5/0007; A44C 5/0015;  
A44C 5/0023; A44C 5/003; A44C  
5/0038; A44C 5/0046; A44C 5/0053;  
A44C 5/0061; A44C 5/0084; A44C  
5/0092; A44C 9/00; A44C 9/0007; A44C  
9/0015; A44C 9/0023; A44C 9/003; A44C  
9/0038; A44C 9/0046; A44C 9/0053;  
A44C 9/0061; A44C 9/0069; A44C  
9/0076; A44C 9/0092; A44C 9/02; A44C  
15/00; A44C 1/00; A44C 3/00; G10D  
3/173; G10D 3/16; G10D 3/00  
See application file for complete search history.

D442,108 S \* 5/2001 Cabarbaye ..... D11/27  
D454,314 S \* 3/2002 Stewart ..... D11/27  
D456,734 S \* 5/2002 Stewart ..... D11/27  
D603,891 S \* 11/2009 Whetstine ..... D17/20  
D626,170 S \* 10/2010 McNeely ..... D17/20  
D891,972 S \* 8/2020 Leclerc ..... D11/4  
D928,649 S \* 8/2021 Coin ..... D11/4

**OTHER PUBLICATIONS**

[Online] [https://www.fender.com/en-US/accessories/picks/fender-thumb-picks/0981002303.html?gclid=Cj0KCQiAqvaNBhDLARIsAH1Pq53Pek6fQWZ\\_IVzB4kgSCIE6ev5bCrFXEUF6\\_J2PRU4UsIQPfiMi7L8YaArezEALw\\_wcB](https://www.fender.com/en-US/accessories/picks/fender-thumb-picks/0981002303.html?gclid=Cj0KCQiAqvaNBhDLARIsAH1Pq53Pek6fQWZ_IVzB4kgSCIE6ev5bCrFXEUF6_J2PRU4UsIQPfiMi7L8YaArezEALw_wcB). Retrieved Dec. 18, 2021.\*

\* cited by examiner

*Primary Examiner* — Melanie Pellegrini  
(74) *Attorney, Agent, or Firm* — Law Office of Jeff Williams PLLC; J. Oliver Williams

(57) **CLAIM**

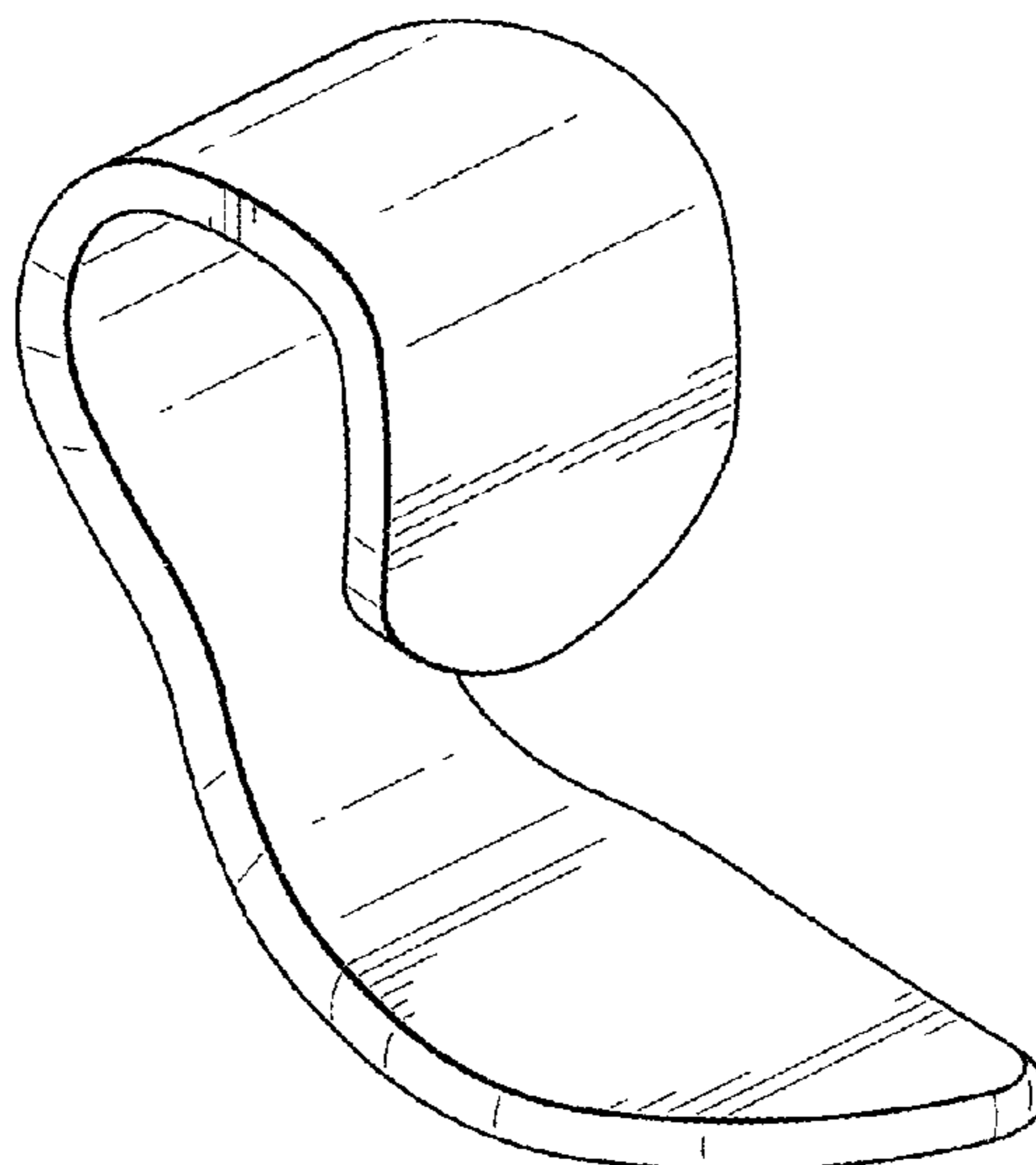
The ornamental design for a ring apparatus, as shown and described.

**DESCRIPTION**

FIG. 1 is a front perspective view of a ring apparatus according to the present application.  
FIG. 2 is a front view of the ring apparatus of FIG. 1.  
FIG. 3 is a rear view of the ring apparatus of FIG. 1.  
FIG. 4 is a right view of the ring apparatus of FIG. 1.  
FIG. 5 is a left view of the ring apparatus of FIG. 1.  
FIG. 6 is a top view of the ring apparatus of FIG. 1.  
FIG. 7 is a bottom view of the ring apparatus of FIG. 1; and, FIG. 8 is an alternate front perspective view of the ring apparatus of FIG. 1.  
The broken lines are included for the purpose of illustrating environmental structure and form no part of the claimed design.

**1 Claim, 3 Drawing Sheets**

(56) **References Cited**  
U.S. PATENT DOCUMENTS  
D229,086 S \* 11/1973 Bellamy ..... D11/28  
4,625,616 A \* 12/1986 McVicker ..... G10D 3/173  
84/322  
5,188,679 A \* 2/1993 Kretchmer ..... A44C 9/00  
148/538  
5,509,341 A \* 4/1996 Dunlop ..... G10D 3/173  
84/322  
5,973,243 A \* 10/1999 Christenson ..... G10D 3/173  
84/322  
D430,814 S \* 9/2000 Lauper ..... D11/26



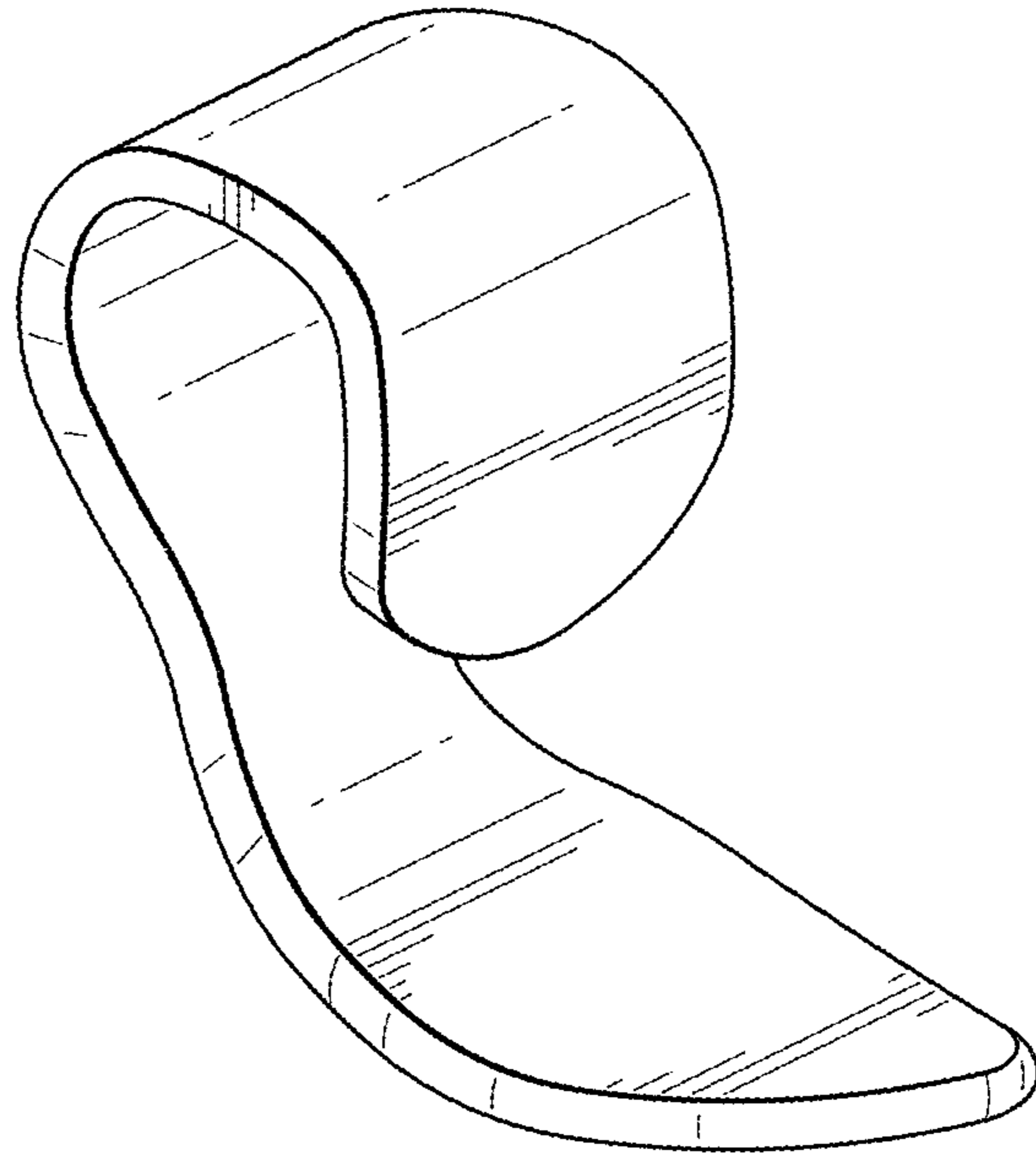


FIG. 1

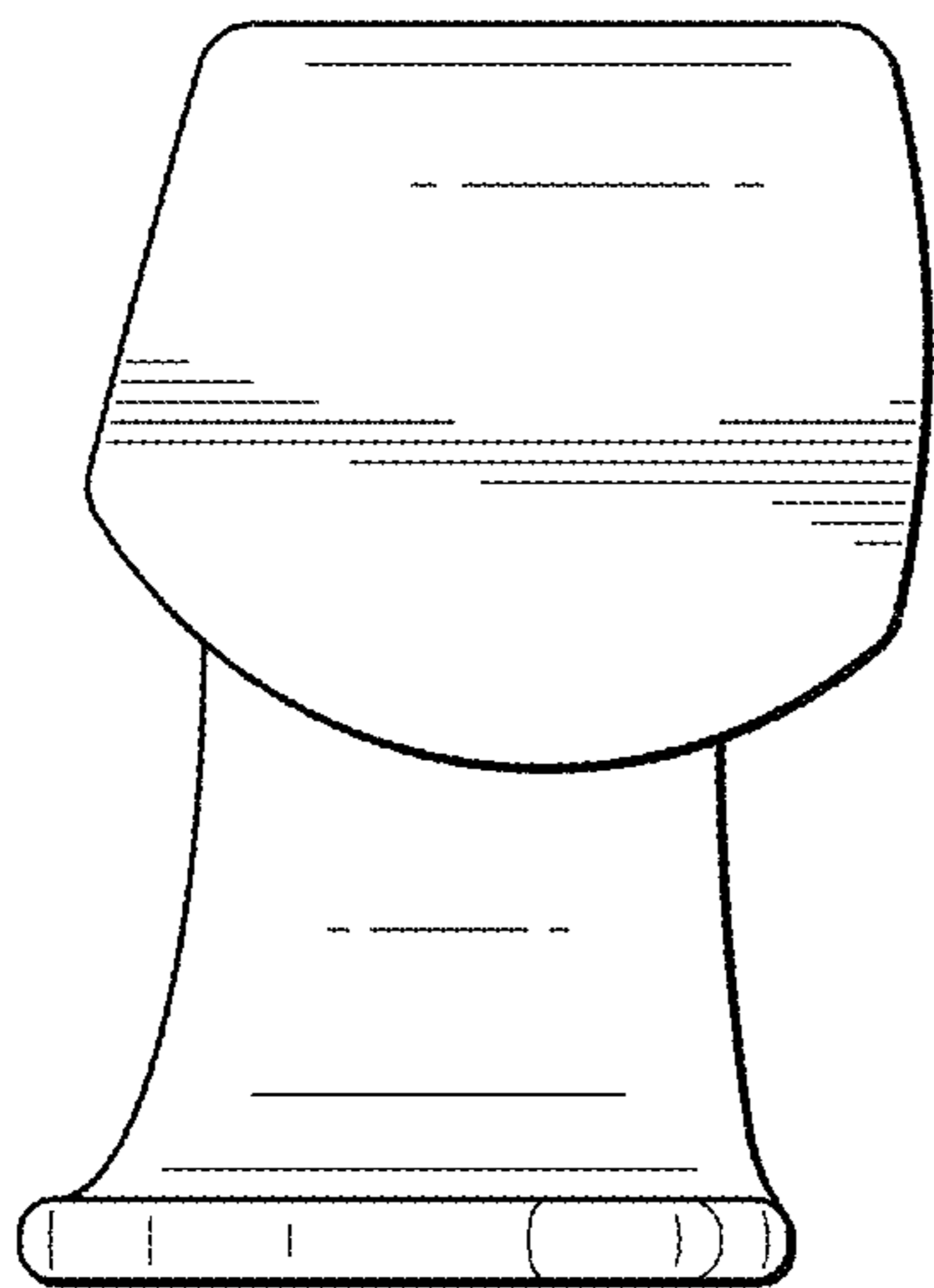


FIG. 2

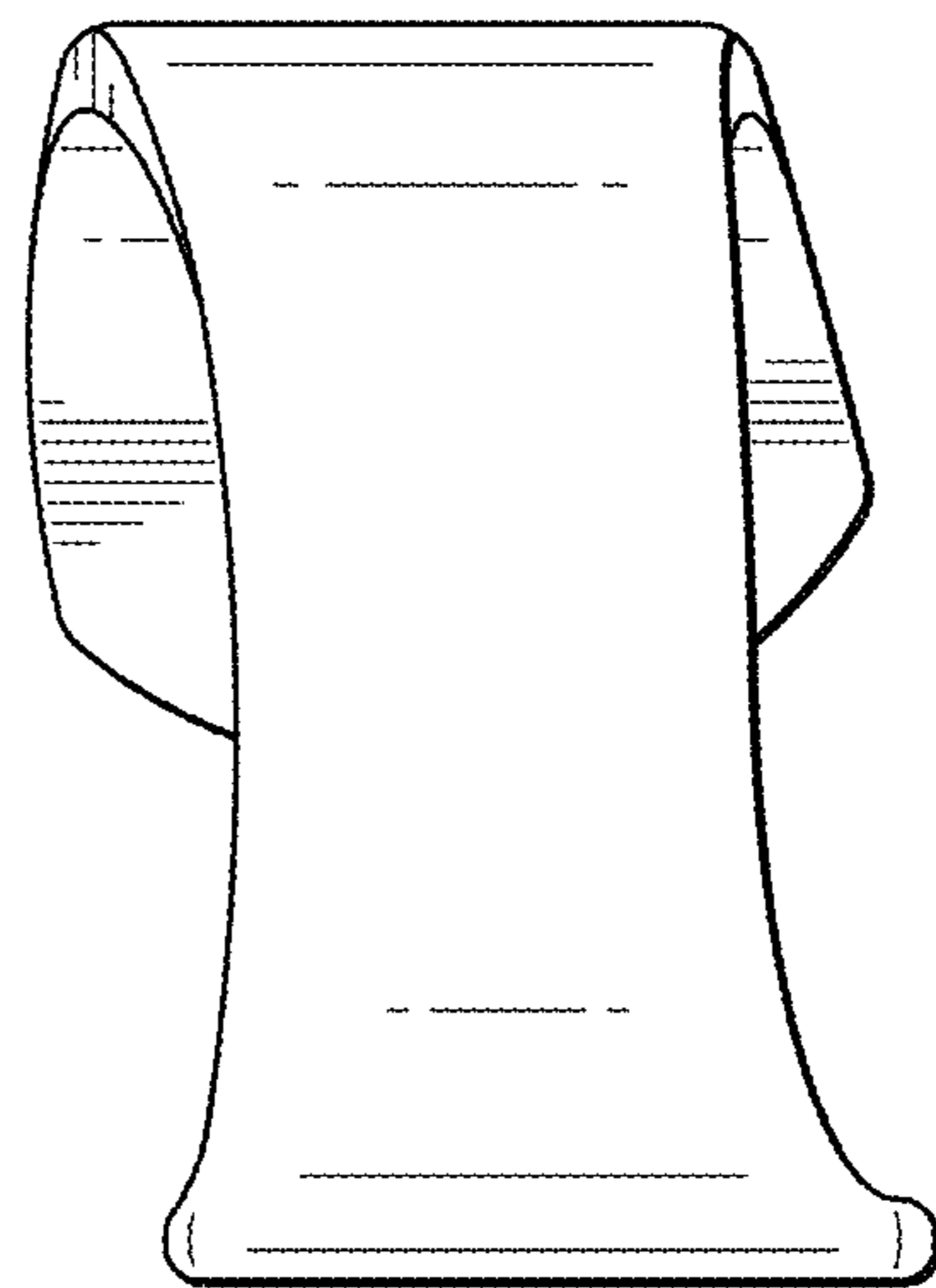


FIG. 3

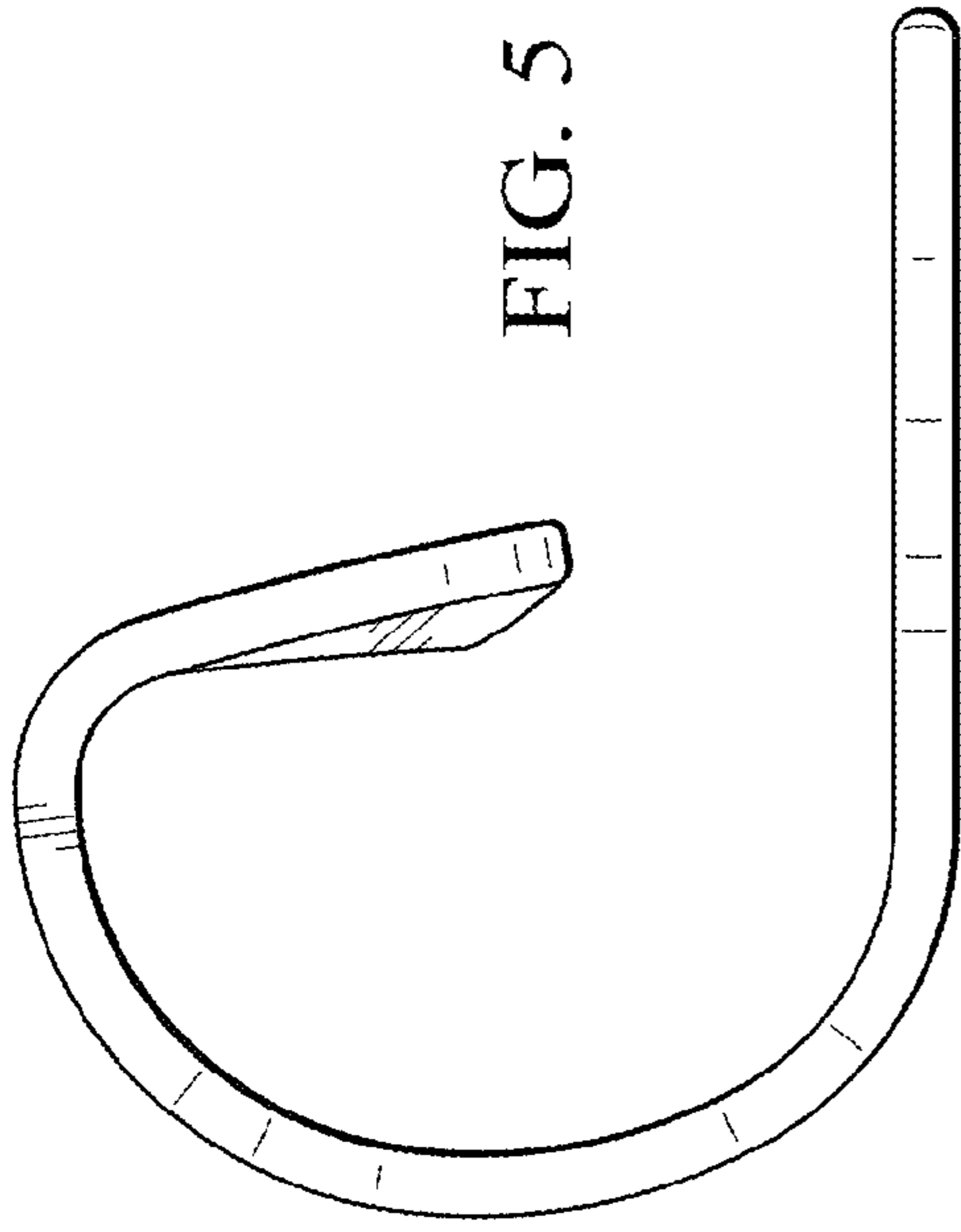


FIG. 5

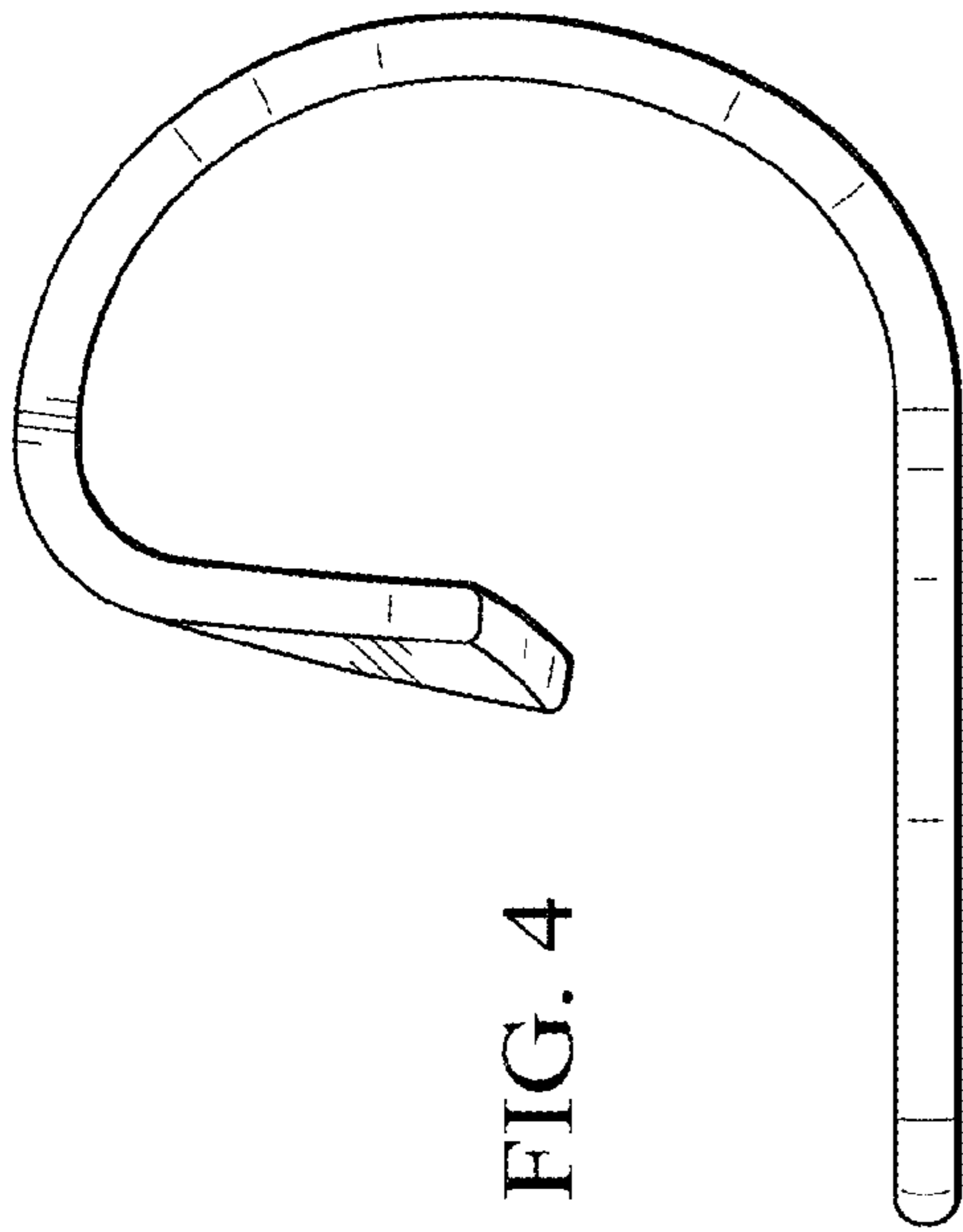


FIG. 4

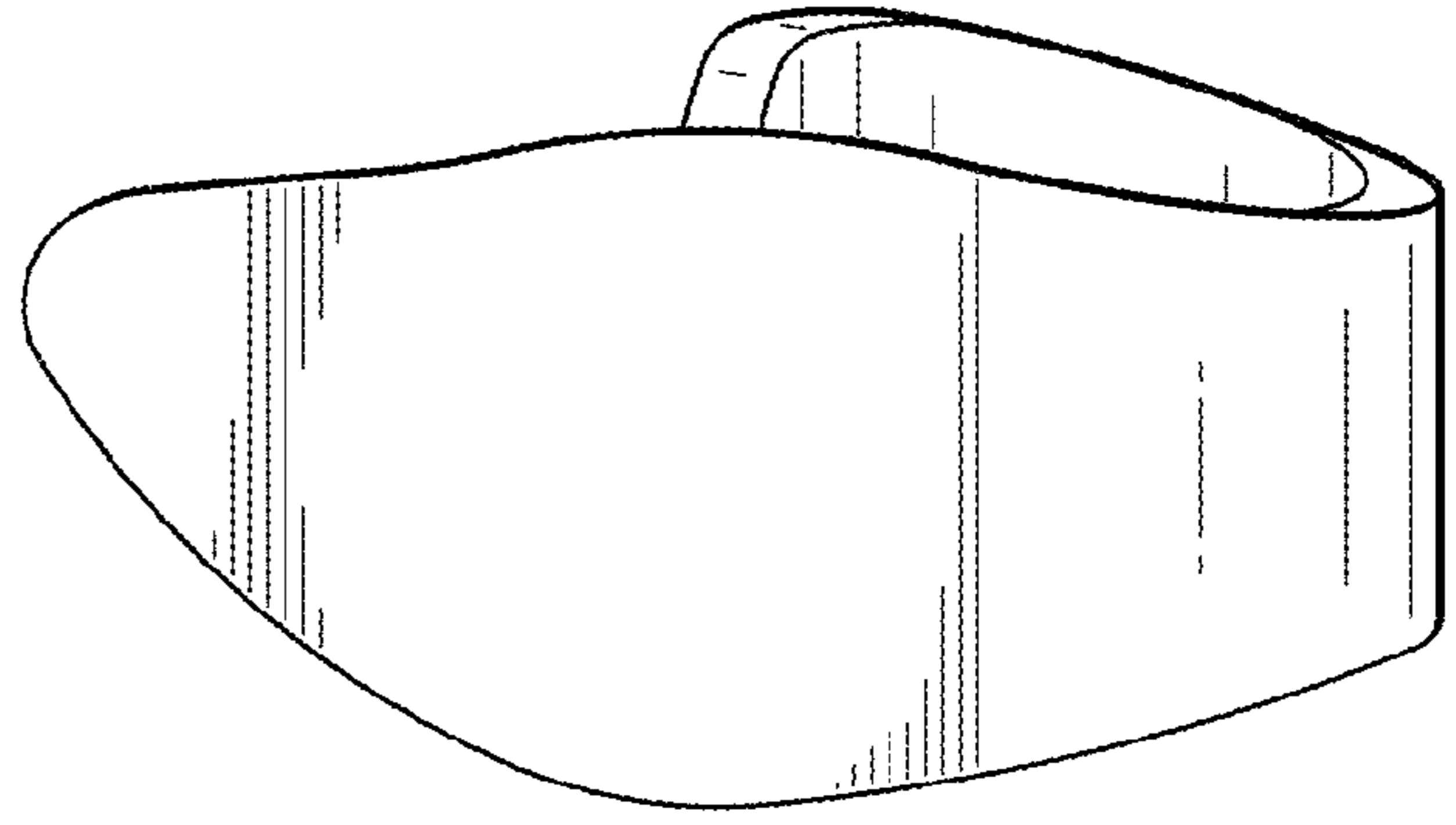


FIG. 7

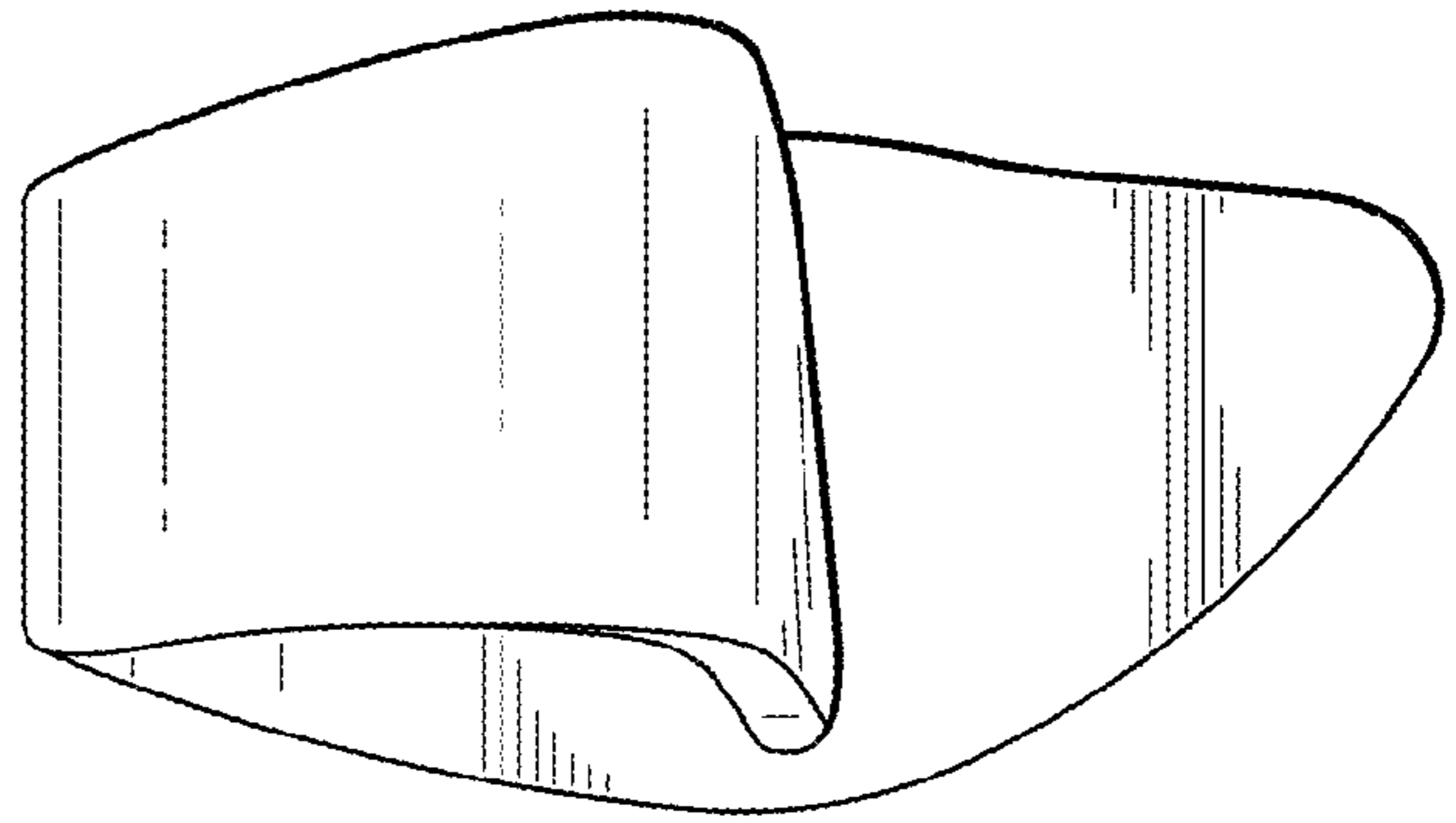


FIG. 6

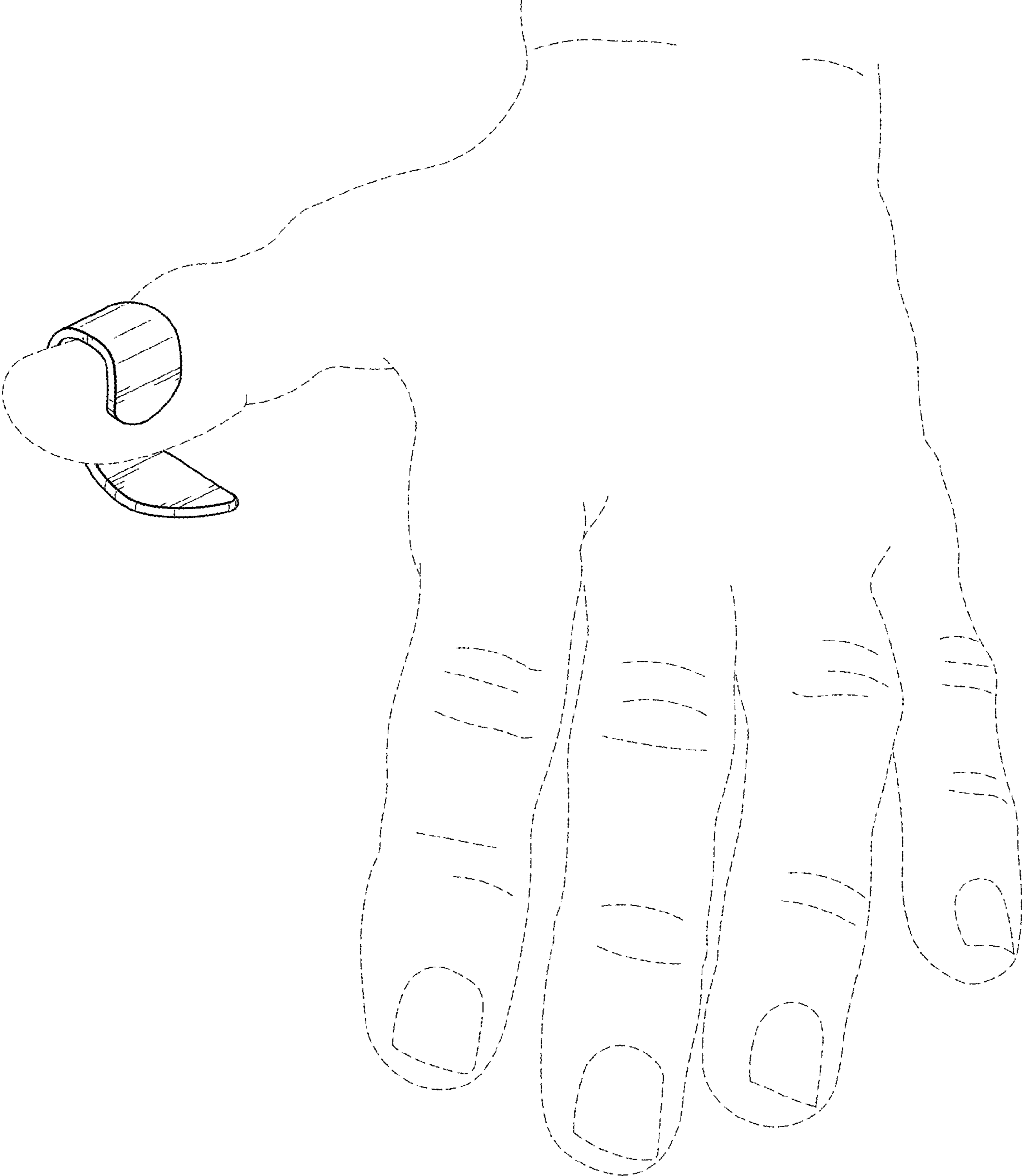


FIG. 8