



US00D949725S

(12) **United States Design Patent** (10) **Patent No.:** **US D949,725 S**
Ackerman et al. (45) **Date of Patent:** **** Apr. 26, 2022**

(54) **AUTOMOBILE CONNECTOR DEVICE**

- (71) Applicant: **Amazon Technologies, Inc.**, Seattle, WA (US)
- (72) Inventors: **Nathan Ackerman**, Palo Alto, CA (US); **Christopher Loew**, Palo Alto, CA (US); **Wen-Yo Lu**, Pasadena, CA (US); **Rafal Piersiak**, Los Gatos, CA (US); **John Roos**, Los Gatos, CA (US); **James Siminoff**, Pacific Palisades, CA (US)
- (73) Assignee: **Amazon Technologies, Inc.**, Seattle, WA (US)
- (**) Term: **15 Years**
- (21) Appl. No.: **29/751,824**
- (22) Filed: **Sep. 23, 2020**
- (51) **LOC (13) Cl.** **10-05**
- (52) **U.S. Cl.**
USPC **D10/106.9**
- (58) **Field of Classification Search**
USPC D14/240, 242, 357, 358, 140-140.9, 155, D14/125, 137, 139, 243, 348, 349, 351, D14/354, 355; D10/106.9
CPC H04L 12/00; H03K 17/00; H04W 88/00; H04W 88/005; H04W 88/02; H04W 88/08; H04W 88/085; H04W 88/10; H04W 88/12; H04W 88/14; H04B 1/38; E05B 73/0017; Y10T 70/5004; B60R 2325/20; B60B 7/16
See application file for complete search history.

(56) **References Cited**

U.S. PATENT DOCUMENTS

D467,962 S	*	12/2002	Ishigami	D14/240
D630,198 S	*	1/2011	Wilkens	D14/240
D789,358 S	*	6/2017	Yang	D14/356
D813,212 S	*	3/2018	Nangeroni	D14/240
D813,852 S	*	3/2018	Ni	D14/240
D816,057 S	*	4/2018	Jue	D14/155
D857,012 S	*	8/2019	Chen	D14/358
10,418,692 B2	*	9/2019	Ali	H01Q 1/02
D876,265 S	*	2/2020	Bouan	D10/106.9

(Continued)

FOREIGN PATENT DOCUMENTS

CN	302741159	*	2/2014
CN	302872487	*	7/2014

(Continued)

OTHER PUBLICATIONS

Fixd OBD2 Professional Bluetooth Scan Tool & Code Reader, Date First Available Aug. 21, 2017, [online], [retrieved on Nov. 12, 2021]. Retrieved from Internet ,<URL: https://www.amazon.com/dp/B013RIQME0/ref=sspa_dk_detail_5?pd_rd_w=XMVjc&pf_rd_p=54ed5474-54a8-4c7fa88a-45f748d18166&pd_rd_wg=S2Yg4&pf_rd_r=77WZHZG5K5YFR614R6H1&pd_rd_r=36cd8d81-d306-48a0-8ec6-0584fbd37eb7&spLa=ZW5jcnlwdGVkUXVhbGlmaWVyPU EzRjVNUzBHVTVBt0kxJmVuY3J5cHRIZElkPUEwNDk4OTQz M1M4RzBNSFIPQUdEOSZlbnNyeXB0ZWRBZEIkPUEwNDI1 MDA5MkFTNDdFRGRTdDSU4xNyZ3aWRnZXROYW1lPXNwX2 RldGFpbF90aGVtYXRpYyZhY3Rpb249Y2xpY2tSZWRpcmVjdC Zkb05vdExvZ0NsaWNrPXRydWU&th=1>.*

(Continued)

Primary Examiner — Bridget L Eland
(74) *Attorney, Agent, or Firm* — Lee & Hayes, P.C.

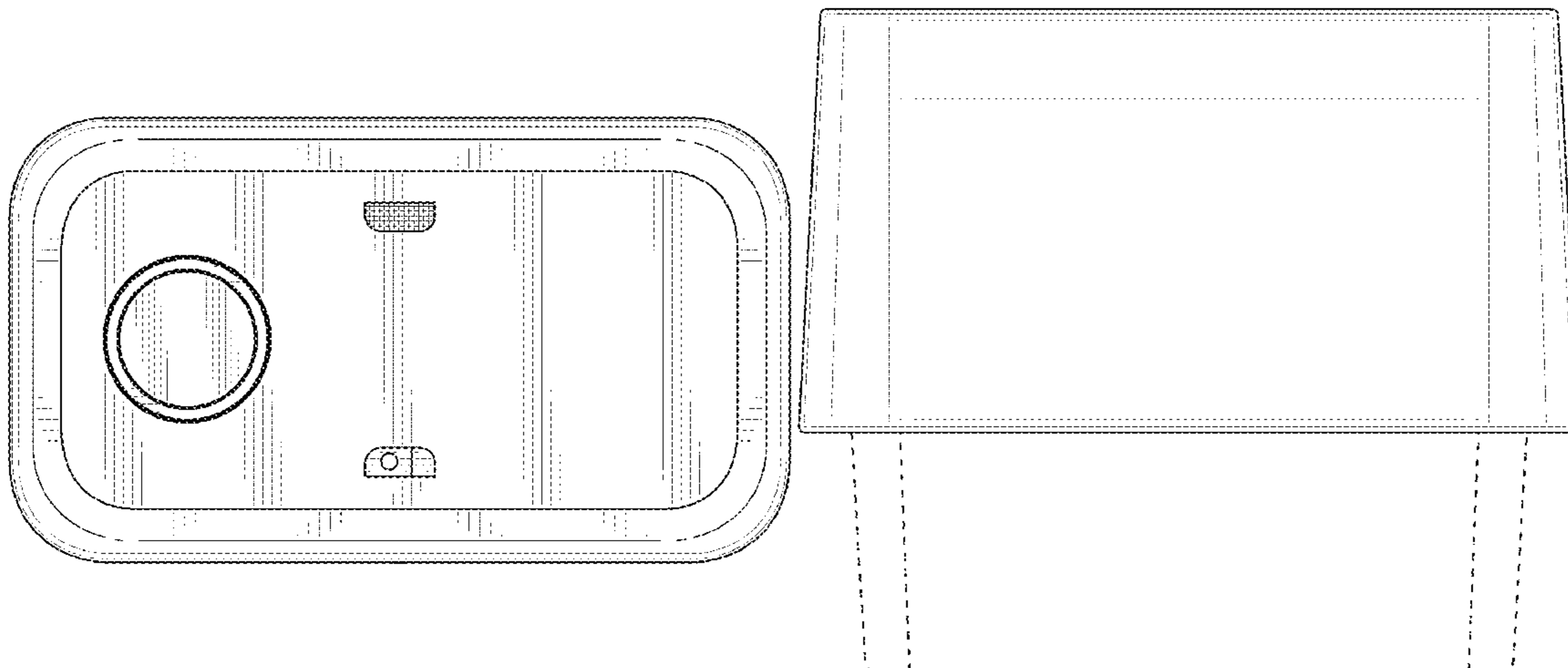
(57) **CLAIM**

The ornamental design for an automobile connector device, as shown and described.

DESCRIPTION

FIG. 1 is a top, front, right-side perspective view of an automobile connector device;
FIG. 2 is a bottom, back, left-side perspective view thereof;
FIG. 3 is a front view thereof;
FIG. 4 is a back view thereof;
FIG. 5 is a right-side view thereof;
FIG. 6 is a left-side view thereof;
FIG. 7 is a top view thereof; and,
FIG. 8 is a bottom view thereof.
The dashed broken lines depict portions of the automobile connector device that form no part of the claimed design.

1 Claim, 8 Drawing Sheets



(56)

References Cited

U.S. PATENT DOCUMENTS

D912,005 S * 3/2021 Zhang D14/155
 D924,211 S * 7/2021 Corley D14/230
 D928,757 S * 8/2021 Lee D14/240
 D933,627 S * 10/2021 Ribeiro D14/140.6
 2020/0300279 A1 * 9/2020 Root H04W 4/00
 2020/0349666 A1 * 11/2020 Hodge G06F 21/36

FOREIGN PATENT DOCUMENTS

CN 303167742 * 4/2015
 CN 303247058 * 6/2015
 CN 303247059 * 6/2015
 CN 303247060 * 6/2015
 CN 304455223 * 1/2018
 CN 304455253 * 1/2018

OTHER PUBLICATIONS

Spytec GPS GL300 GPS Tracker for Vehicles Date First Available Mar. 12, 2014, [online], [retrieved on Nov. 12, 2021]. Retrieved from Internet ,<URL: <https://www.amazon.com/dp/B07S7DVT33/>

ref=sspa_dk_detail_8?psc=1&pd_rd_i=B07S7DVT33&pd_rd_w=7nAL9&pf_rd_p=9fd3ea7cb77c-42ac-b43bc872d3f37c38&pd_rd_wg=S2Yg4&pf_rd_r=77WZHZG5K5YFR614R6H1&pd_rd_r=36cd8d81-d306-48a0-8ec6-0584fbd37eb7&spLa=ZW5jcnlwdGVkUXVhbGlmaWVyPUEwSDFEWTE5UUVZUFZVJmVuY3J5cHRlZElkPUEwNTY5MDA1MTVEV1dNUIVJODRENCZlbnNyeXB0ZWRBZEIkPUEwODYxMjMwMVpFSFBjVjVQWko5NSZ3aWRnZXROYW1IPXNwX2RldGFpbCZhY3Rpb249Y2xpY2tSZWRpcmVjdCZkb05vdExvZ0NsaWNrPXRydWU=>.*

GPS Tracker for Vehicles Vyncs, Date First Available Jun. 30, 2016, [online], [retrieved on Nov. 12, 2021]. Retrieved from Internet , <URL: [* cited by examiner](https://www.amazon.com/GPS-Tracker-Vehicles-Vyncs-USA-Developed/dp/B01HSODG10/ref=sr_1_22?keywords=amazon+technologies+automobile+connector+device&qid=1636771784&qsid=141-6200610-8216828&sr=8-22&sres=B08FYCGY7V%2CB00CJLL3N6%2CB07PQ8WTC4%2CB08T87Y1TC%2CB00IKY7JV6%2CB018MGMFDI2CB07FJPMML6%2CB07YFCSLRD%2CB00PC5S0PA%2CB06Y2FFQB9%2CB01M0SFMIH%2CB00NCRE4GO%2CB07N4DHFZM%2CB074TC662N%2CB08L5LQ59S%2CB07QH1C9BR%2CB0787HV5MH%2CB017NQWDY4%2CB078KSHVCS%2CB07L8XZ2X8>.*</p>
</div>
<div data-bbox=)

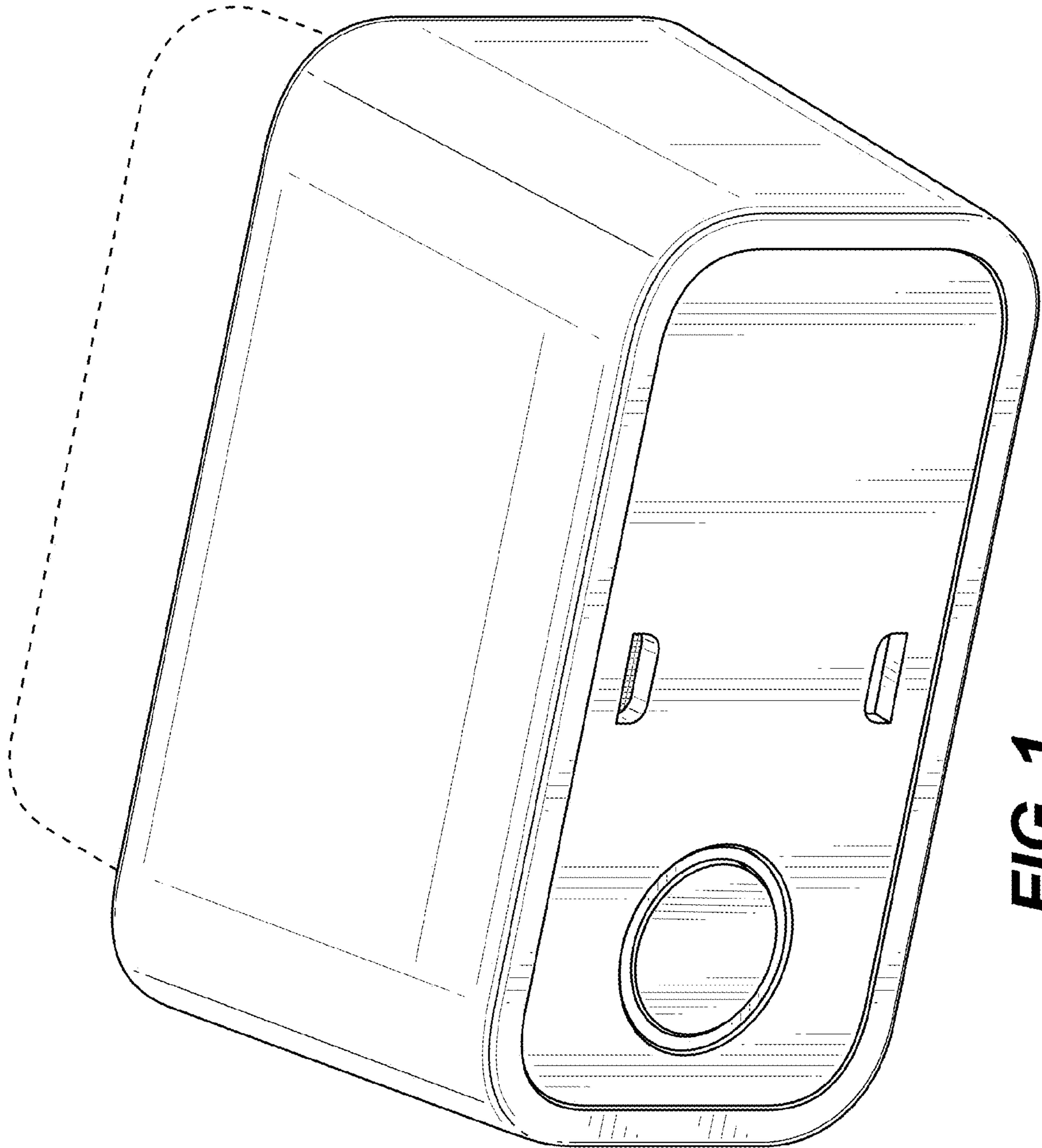


FIG. 1

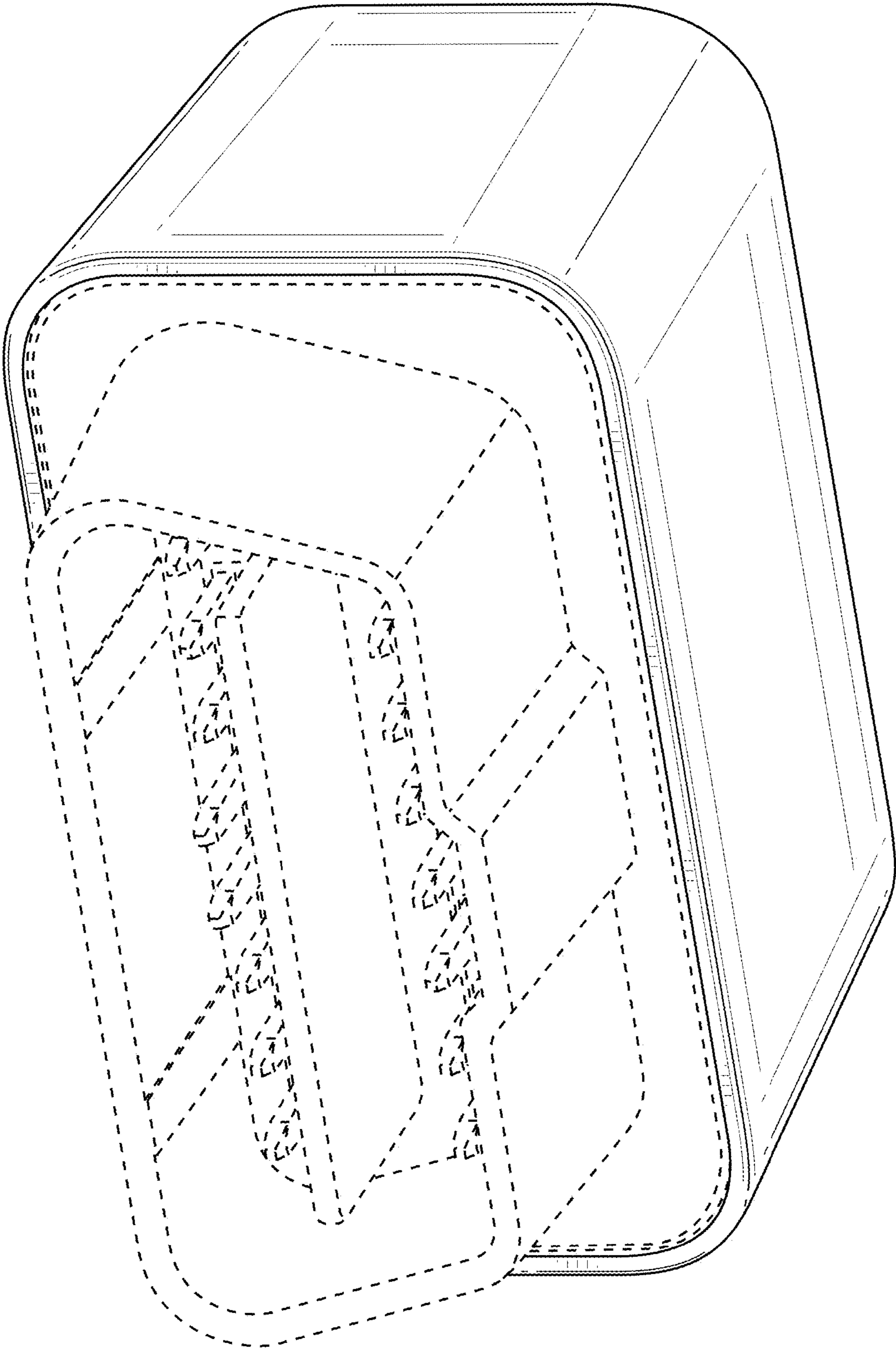


FIG. 2

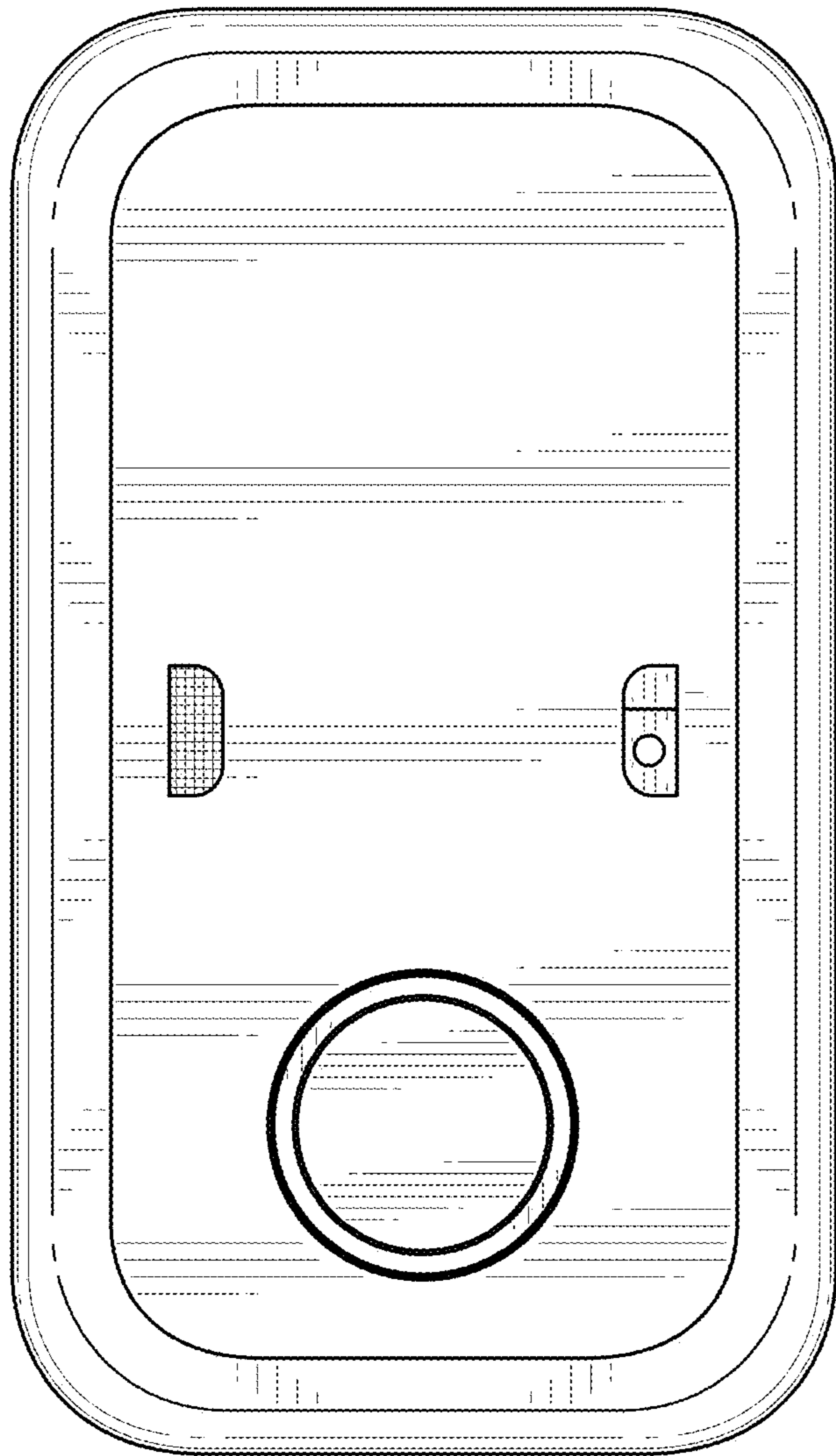


FIG. 3

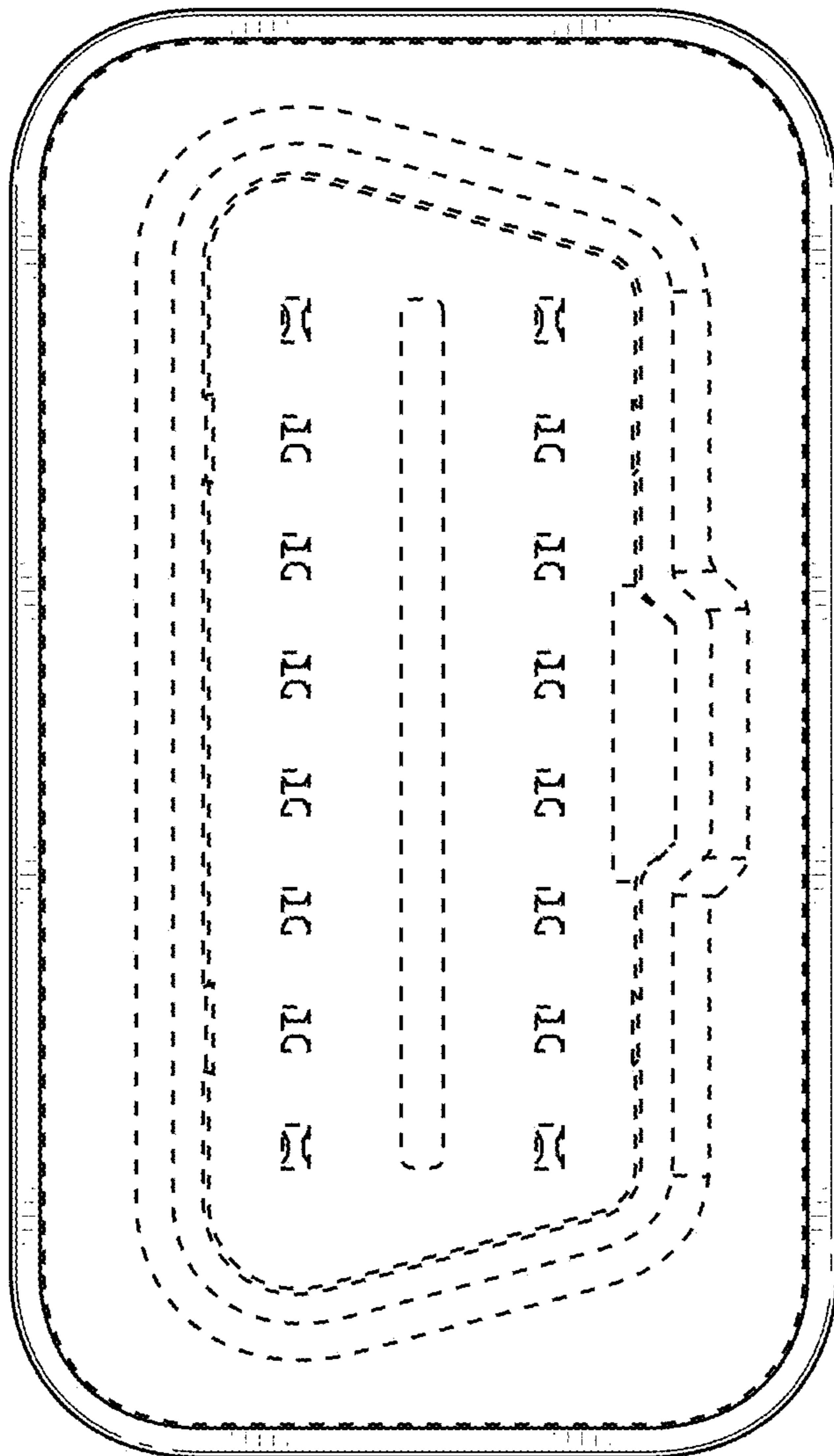


FIG. 4

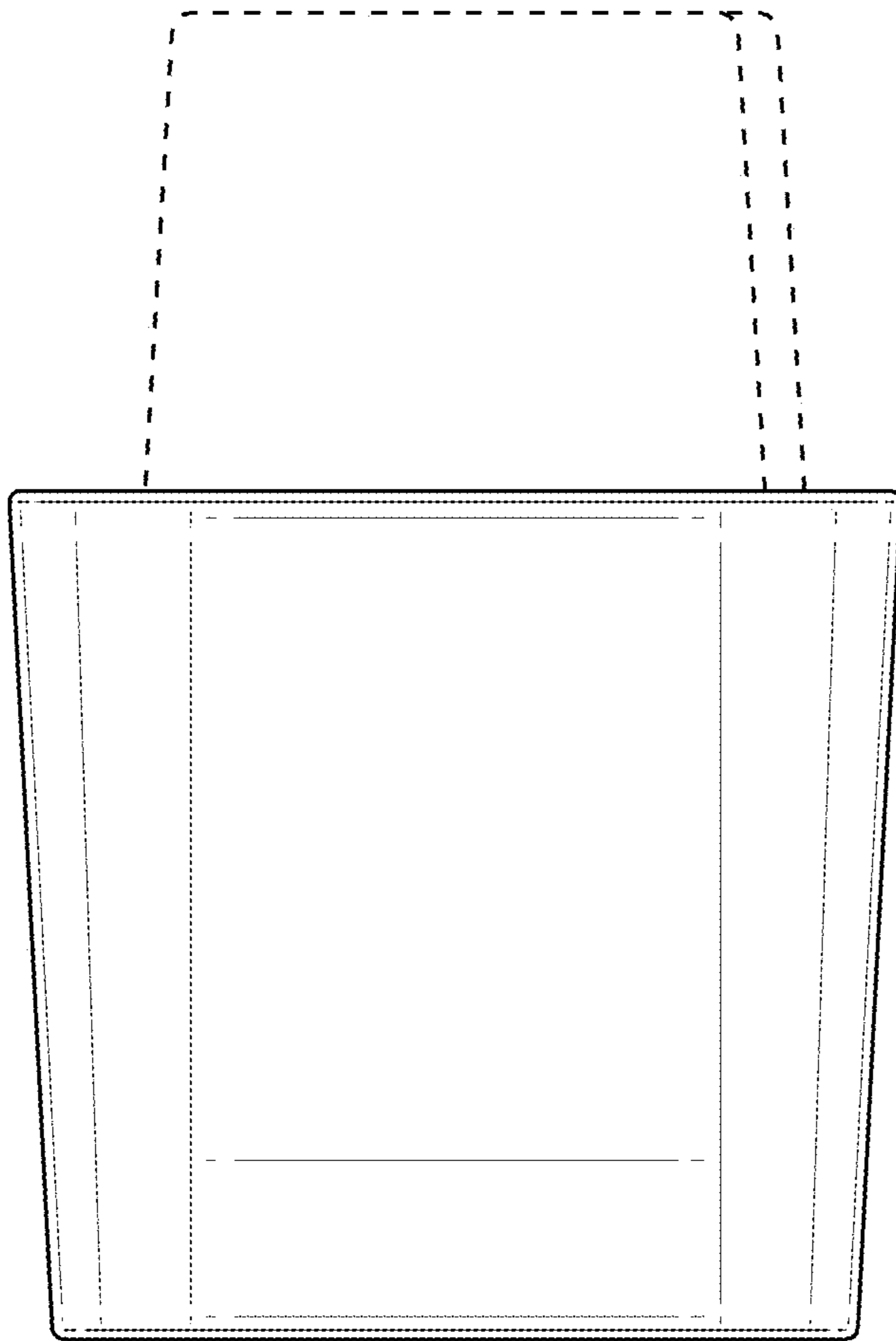


FIG. 5

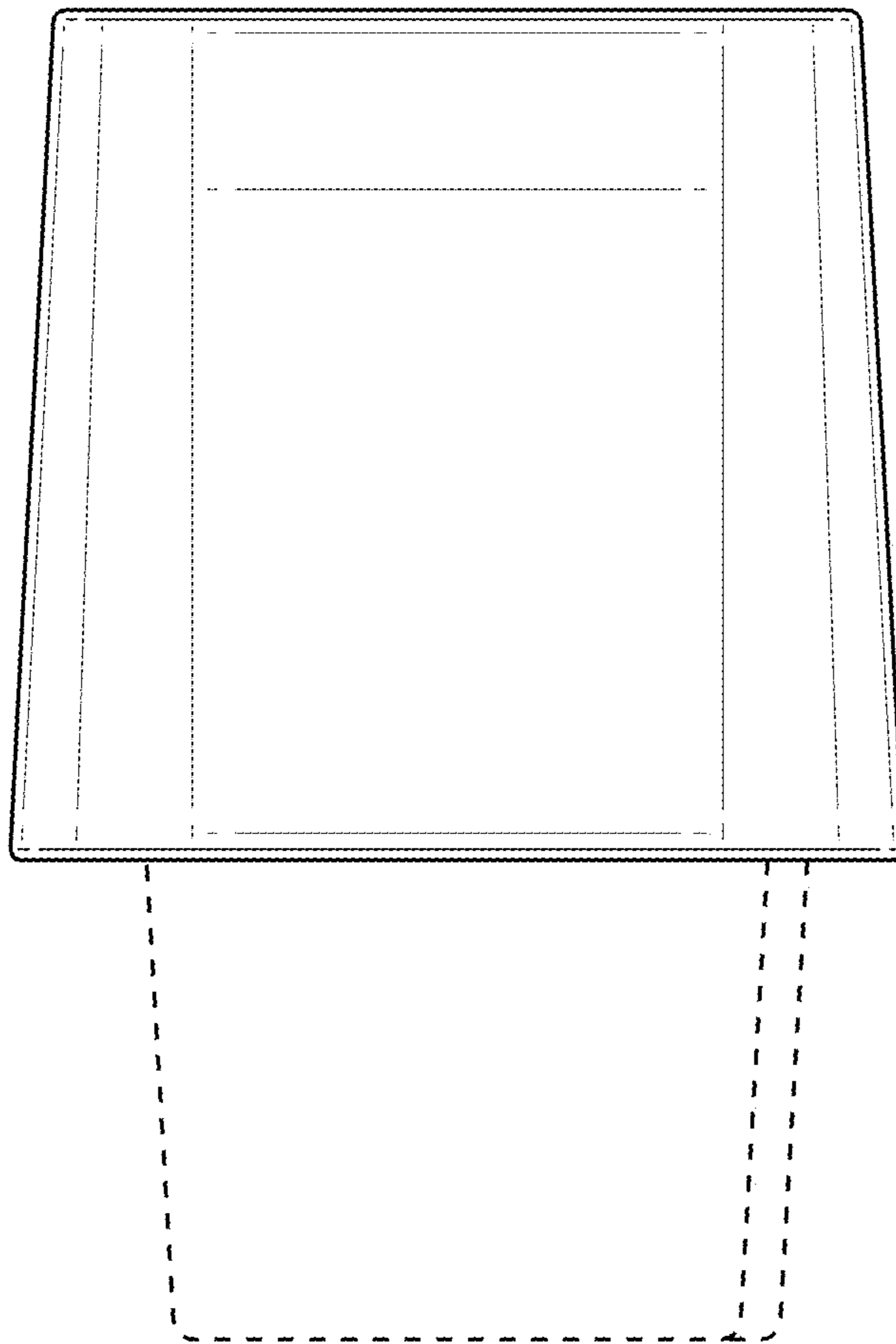


FIG. 6

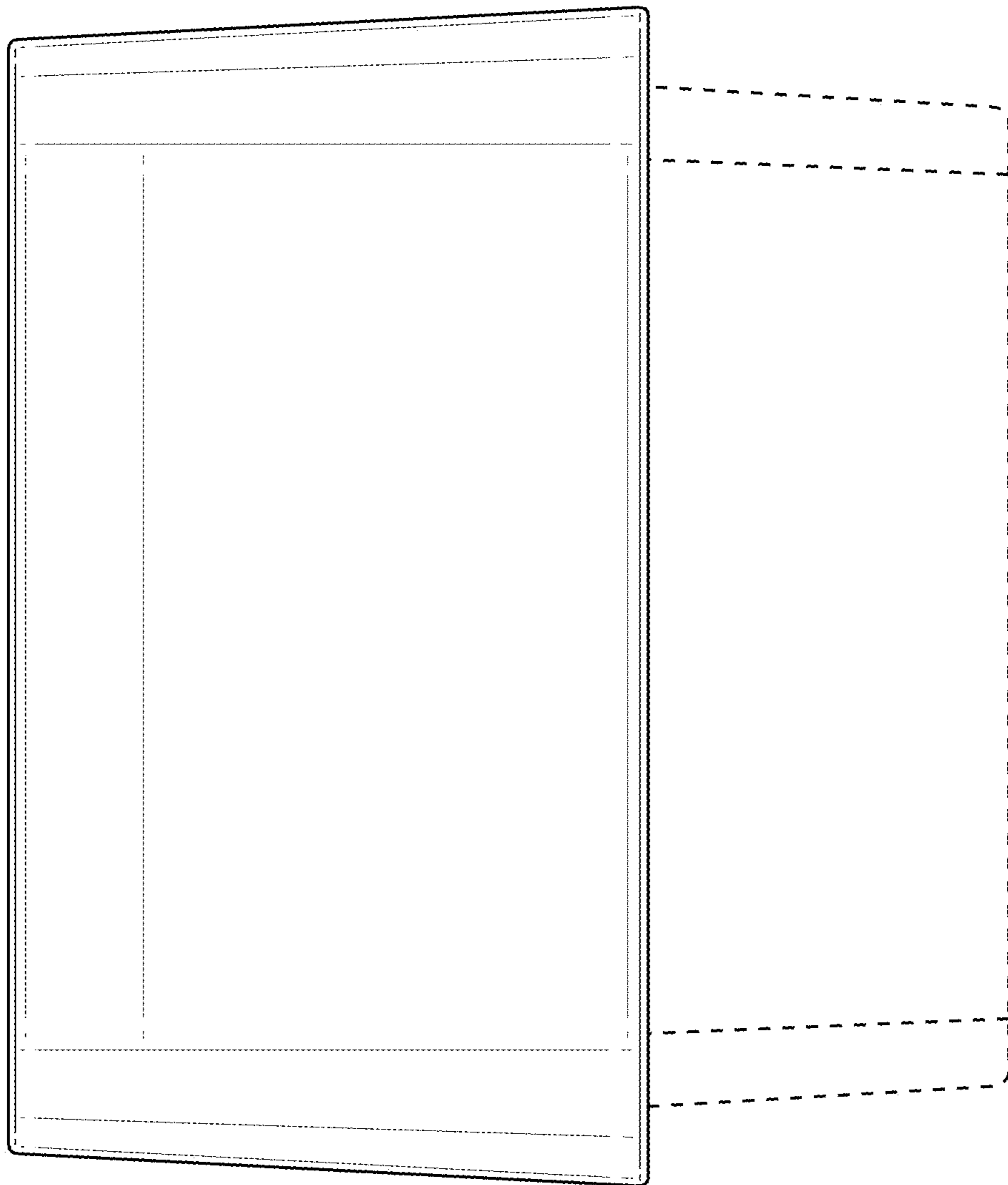


FIG. 7

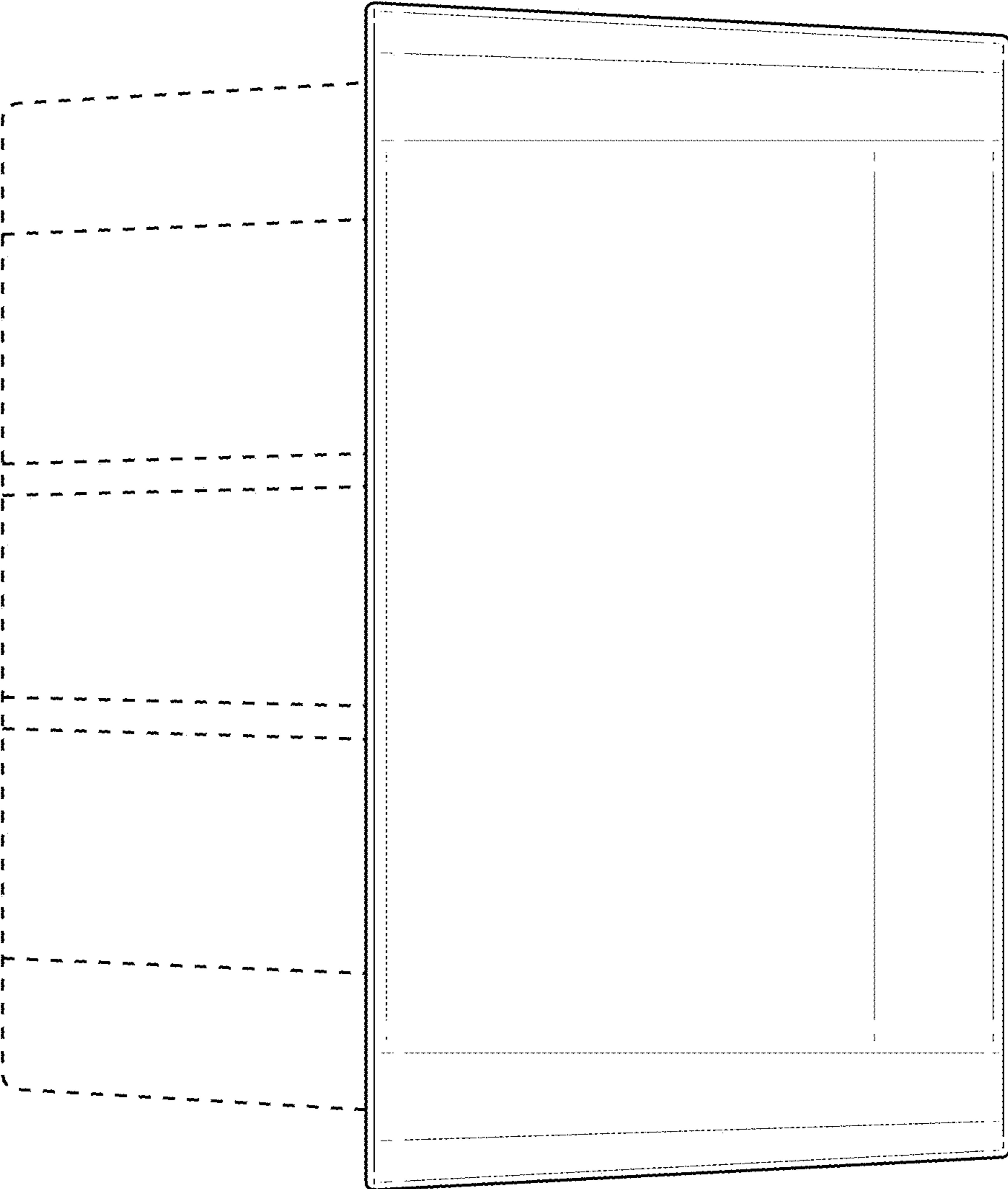


FIG. 8