

US00D949723S

(12) **United States Design Patent**  
**Ganrude et al.**

(10) **Patent No.:** **US D949,723 S**  
(45) **Date of Patent:** **\*\* Apr. 26, 2022**

(54) **BALANCE**

(71) Applicant: **hand2mind, Inc.**, Vernon Hills, IL (US)

(72) Inventors: **Jared Ganrude**, Arlington Heights, IL (US); **Elana Woldenberg**, Chicago, IL (US); **Brittany Goerig**, Midlothian, TX (US)

(73) Assignee: **hand2mind, Inc.**, Vernon Hills, IL (US)

(\*\*) Term: **15 Years**

(21) Appl. No.: **29/760,755**

(22) Filed: **Dec. 3, 2020**

(51) **LOC (13) Cl.** ..... **10-04**

(52) **U.S. Cl.**  
USPC ..... **D10/90; D21/523**

(58) **Field of Classification Search**  
USPC ..... D10/83-93; D21/523, 524, 525  
CPC ..... G01G 21/28; G01G 21/00; G01G 19/414;  
G01G 19/4144; G01G 19/42; G01G 23/166;  
G01G 21/30; G01G 23/3728; G01G 23/3735;  
G01G 19/44; G01G 3/14; G01G 19/46;  
G01G 19/48; G01G 19/50; G01G 21/44;  
G01G 1/24; A61B 5/053; A61B

(Continued)

(56) **References Cited**

**U.S. PATENT DOCUMENTS**

D221,164 S \* 7/1971 Joslyn, et al. .... D21/523  
3,774,908 A \* 11/1973 Greenberg ..... A63F 9/26  
273/459

(Continued)

**FOREIGN PATENT DOCUMENTS**

CN 3464354 \* 10/2004  
CN 3479702 \* 10/2005

(Continued)

**OTHER PUBLICATIONS**

Hand2mind Store, Plastic Bucket Balance, Date first available Oct. 8, 2015, [online]retrieved Dec. 9, 2021,available from [https://www.amazon.com/ETA-hand2mind-Primary-Balance-Teaching/dp/B016C3H2L8/ref=sr\\_1\\_1\\_sspa?keywords=toy+scale&qid=1638973144&sr=8-1-spons&psc=1&spLa=ZW5jcnlwdGVkUXVhbGlmaWVyPUEzMIBY](https://www.amazon.com/ETA-hand2mind-Primary-Balance-Teaching/dp/B016C3H2L8/ref=sr_1_1_sspa?keywords=toy+scale&qid=1638973144&sr=8-1-spons&psc=1&spLa=ZW5jcnlwdGVkUXVhbGlmaWVyPUEzMIBY) (Year: 2015).\*

(Continued)

*Primary Examiner* — Keli L Hill

*Assistant Examiner* — Sara S Sahneh

(74) *Attorney, Agent, or Firm* — Michael Best & Friedrich LLP

(57) **CLAIM**

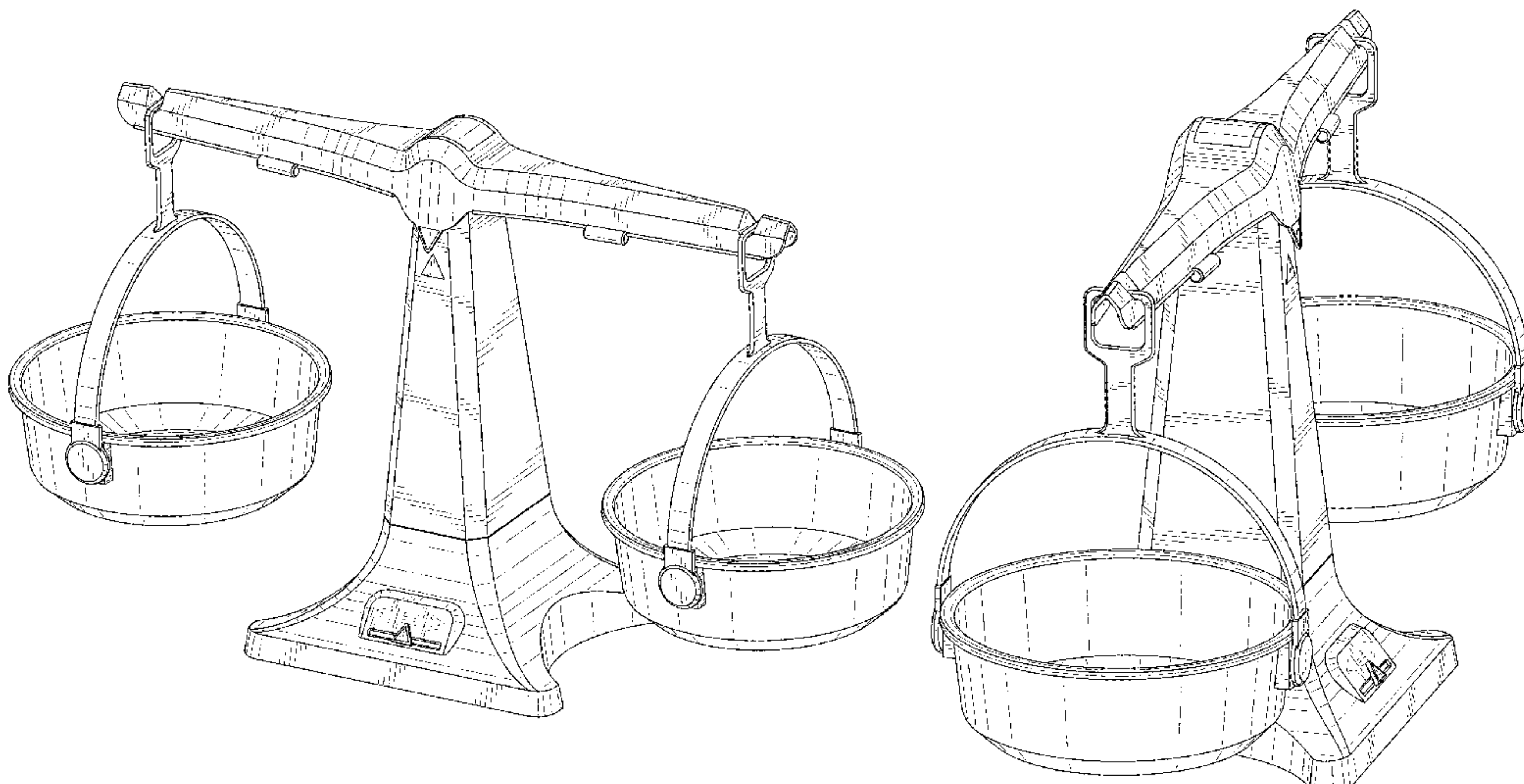
The ornamental design for a balance, as shown and described.

**DESCRIPTION**

FIG. 1 is a front perspective view of a balance showing our new design according to a first embodiment; FIG. 2 is a side perspective view thereof; FIG. 3 is a right side elevational view thereof; FIG. 4 is a left side elevational view thereof; FIG. 5 is a front elevational view thereof; FIG. 6 is a rear elevational view thereof; FIG. 7 is a top plan view thereof; FIG. 8 is a bottom plan view thereof; FIG. 9 is a front perspective view of a balance showing our new design according to a second embodiment; FIG. 10 is a side perspective view thereof; FIG. 11 is a right side elevational view thereof; FIG. 12 is a left side elevational view thereof; FIG. 13 is a front elevational view thereof; FIG. 14 is a rear elevational view thereof; FIG. 15 is a top plan view thereof; and, FIG. 16 is a bottom plan view thereof.

The broken lines illustrate unclaimed portions of the balance and form no part of the claimed design.

**1 Claim, 14 Drawing Sheets**



(58) **Field of Classification Search**

CPC ... 5/4872; A61B 5/0537; A61B 5/4869; A61B 5/6825; A61B 5/6829; A61B 5/7445; A61B 5/1072; G06Q 20/3678; G06Q 20/387; G06Q 20/065; G06Q 20/36; G06Q 20/06; G06Q 20/208; G09B 19/00; G16H 20/00; G16H 40/63; F16F 1/123; A63F 9/26; A63F 2011/0016; A63F 2250/028; A63F 7/02; A63H 33/30; A44C 5/14

See application file for complete search history.

(56) **References Cited**

U.S. PATENT DOCUMENTS

D233,659	S	*	11/1974	Dawn, et al.	.....	D10/90
D241,631	S	*	9/1976	Gleason, et al.	.....	D10/90
D245,767	S	*	9/1977	Myers	.....	D10/90
4,050,531	A	*	9/1977	Ashbrook	.....	G01G 21/23 177/198
D379,315	S	*	5/1997	Woldenberg	.....	D10/90
D443,840	S	*	6/2001	Ruban	.....	D10/90
D570,720	S	*	6/2008	Lin	.....	D10/90
D570,721	S	*	6/2008	Lin	.....	D10/90
D611,375	S	*	3/2010	Lin	.....	D10/90
D910,780	S	*	2/2021	Huang	.....	D21/523
2015/0233754	A1	*	8/2015	Pedneault	.....	G01G 1/20 177/190

FOREIGN PATENT DOCUMENTS

CN	305360905	*	9/2019
CN	306420479	*	10/2020
CN	306840918	*	12/2020
KR	300474857.0000	*	4/2007

OTHER PUBLICATIONS

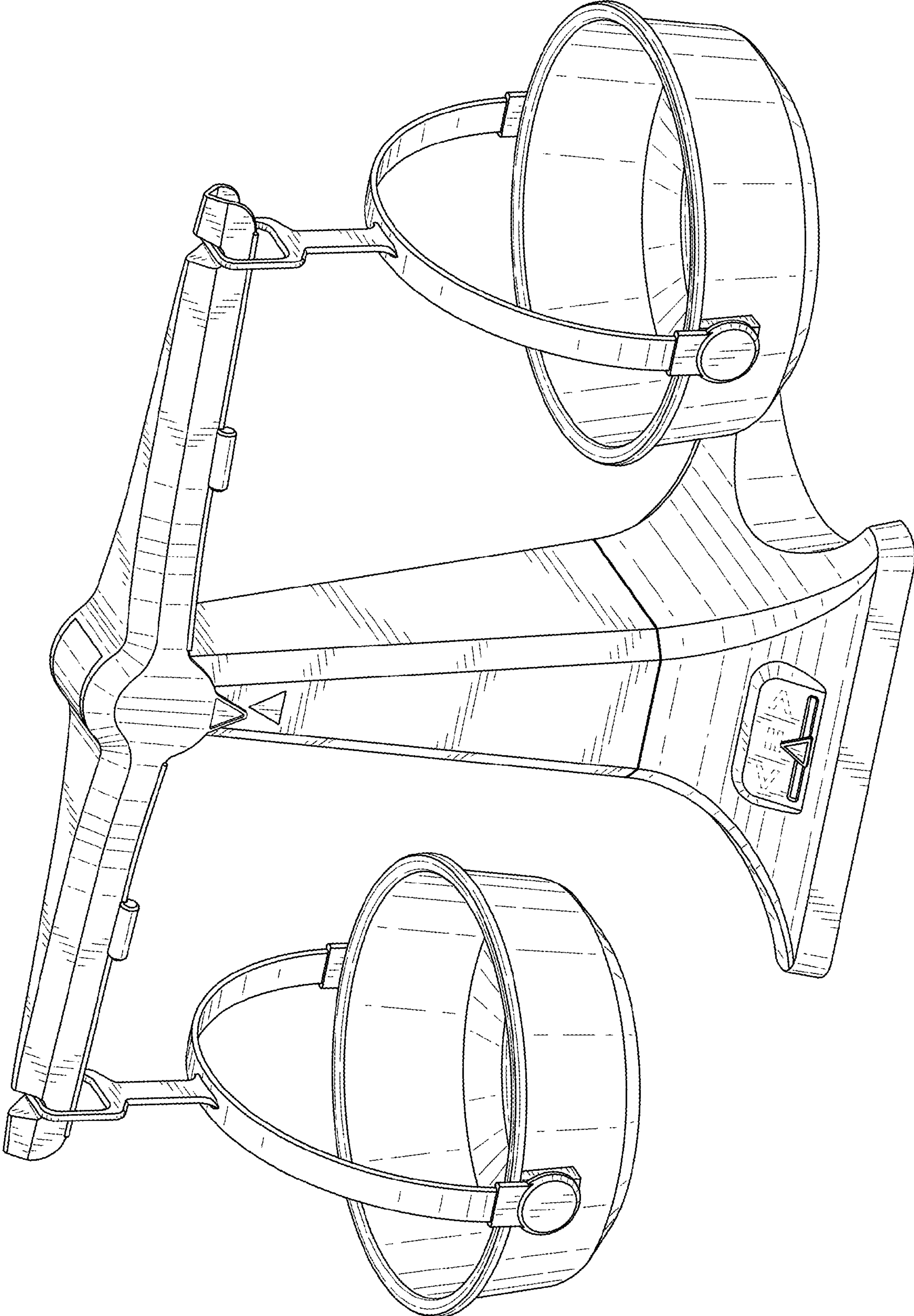
Hand2mind Store, Blue Nestable Pan Balance, Date first available Dec. 22, 2020, [online]retrieved Dec. 9, 2021, available from [https://www.amazon.com/hand2mind-Nestable-Balance-Assemble-Classroom/dp/B08R6C44HC/ref=bx\\_dp\\_86315slo\\_4/134-5564337-2927451?pd\\_rd\\_w=BtBTX&pf\\_rd\\_p=862b4b8b-7a18-40e3-a54d-9d43f8d](https://www.amazon.com/hand2mind-Nestable-Balance-Assemble-Classroom/dp/B08R6C44HC/ref=bx_dp_86315slo_4/134-5564337-2927451?pd_rd_w=BtBTX&pf_rd_p=862b4b8b-7a18-40e3-a54d-9d43f8d) (Year: 2020).\*

Learning Resources Store, Primary Bucket Balance Teaching Scale, Date first available Jun. 6, 2007, [online]retrieved, available from [https://www.amazon.com/dp/B000296LRK/ref=sspa\\_dk\\_detail\\_8?spLa=ZW5jcmlwdGVkUXVhbGlmaWVyPUFJSDFESE8zRkVXSVMZWS5jcmlwdGVkSWQ9QTA1OTk2MzYzTEo1VFM3MUIEWk44JmVuY3J5cHRlZEFkSWQ](https://www.amazon.com/dp/B000296LRK/ref=sspa_dk_detail_8?spLa=ZW5jcmlwdGVkUXVhbGlmaWVyPUFJSDFESE8zRkVXSVMZWS5jcmlwdGVkSWQ9QTA1OTk2MzYzTEo1VFM3MUIEWk44JmVuY3J5cHRlZEFkSWQ) (Year: 2007).\*

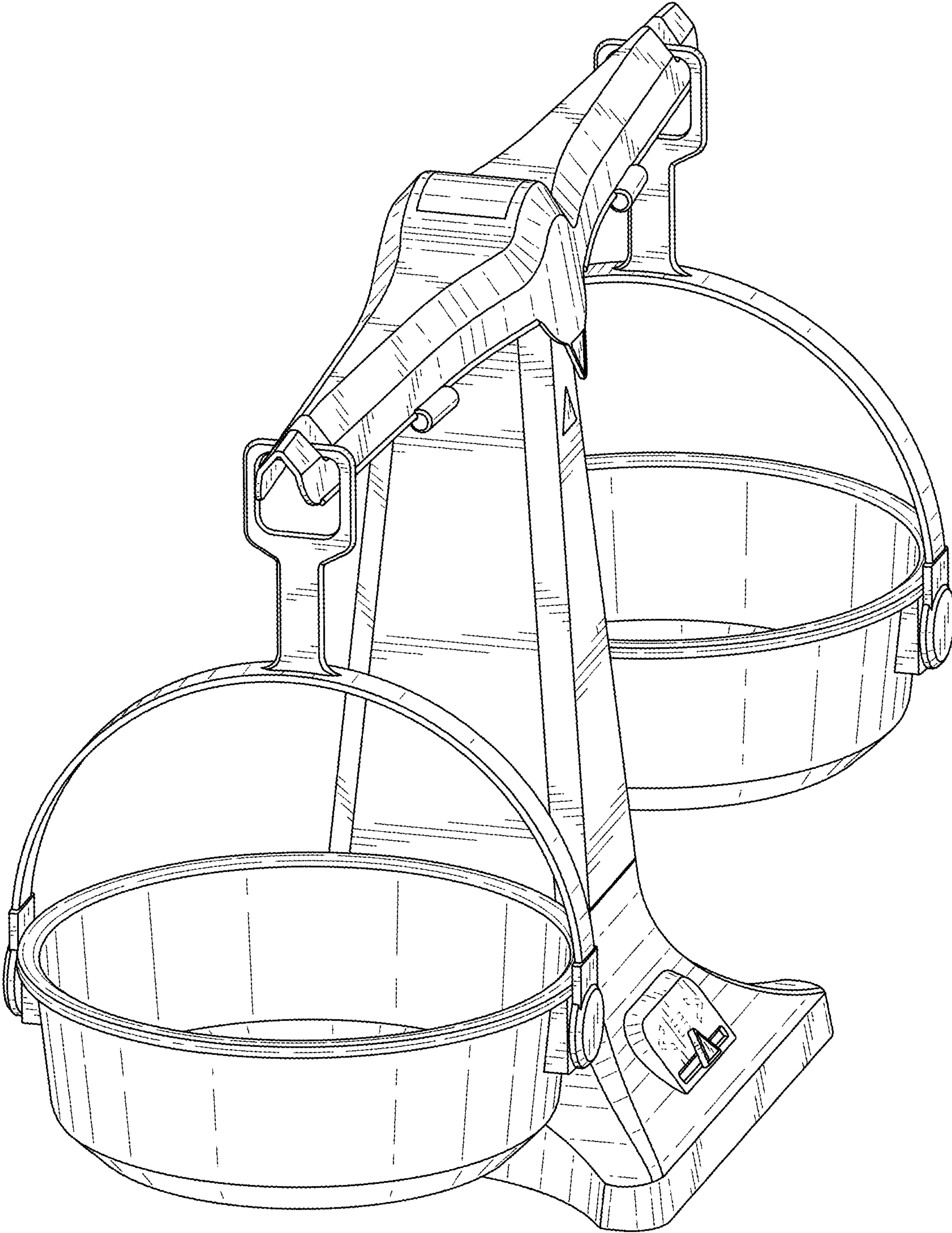
Learning Resources Store, Pan Balance, Date first available Feb. 13, 2005, [online]retrieved Dec. 9, 2021, available from [https://www.amazon.com/dp/B0006PKZ68/ref=sspa\\_dk\\_detail\\_6?psc=1p13NParams&spLa=ZW5jcmlwdGVkUXVhbGlmaWVyPUEySVdYME1XMEk3RUhXJmVuY3J5cHRlZElkPUEwOTg1NjZlMUUpGRDVWN1RIRIdWNiZlbnNyeXB0ZWR](https://www.amazon.com/dp/B0006PKZ68/ref=sspa_dk_detail_6?psc=1p13NParams&spLa=ZW5jcmlwdGVkUXVhbGlmaWVyPUEySVdYME1XMEk3RUhXJmVuY3J5cHRlZElkPUEwOTg1NjZlMUUpGRDVWN1RIRIdWNiZlbnNyeXB0ZWR) (Year: 2005).\*

\* cited by examiner





**FIG. 1**



**FIG. 2**

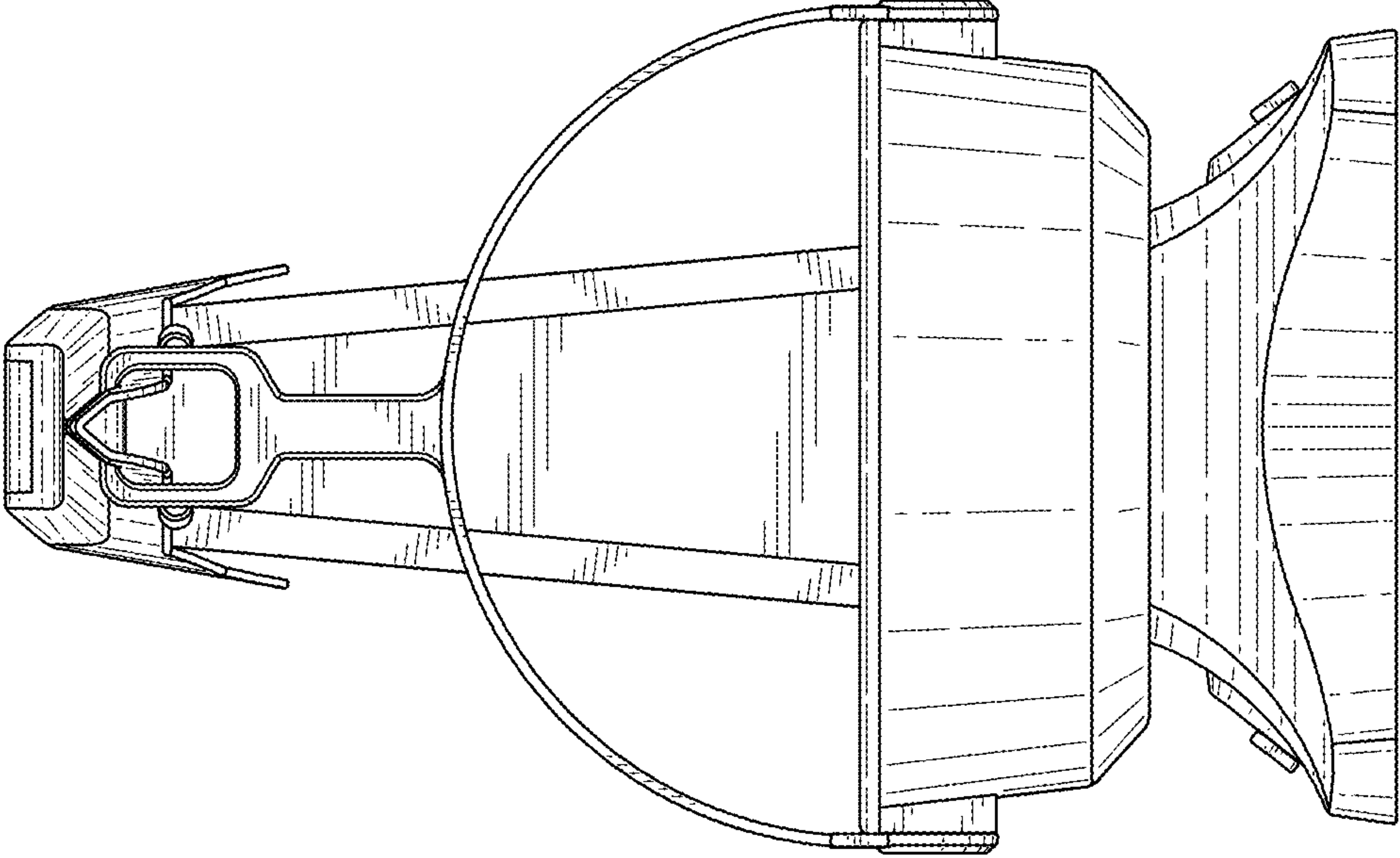


FIG. 4

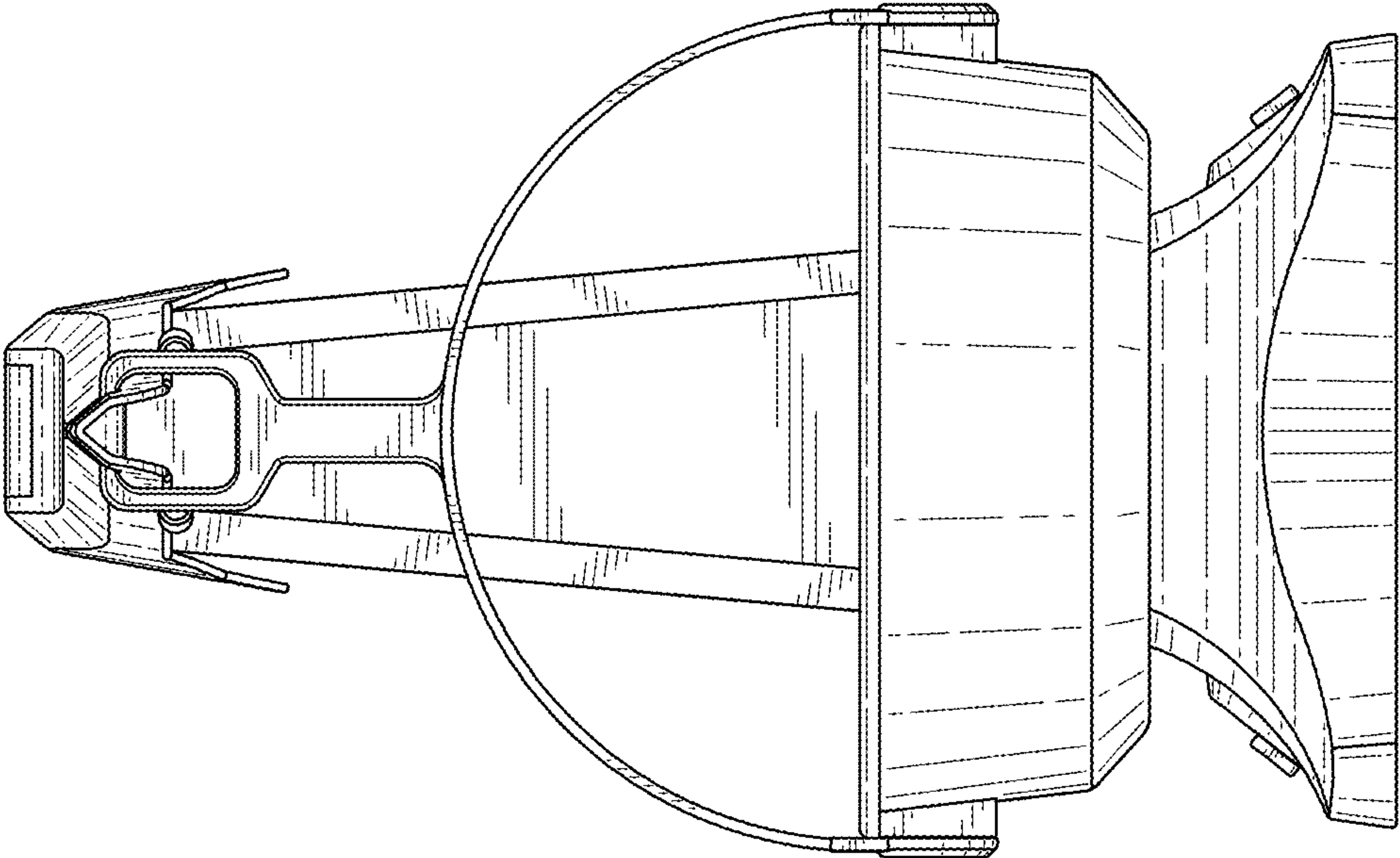
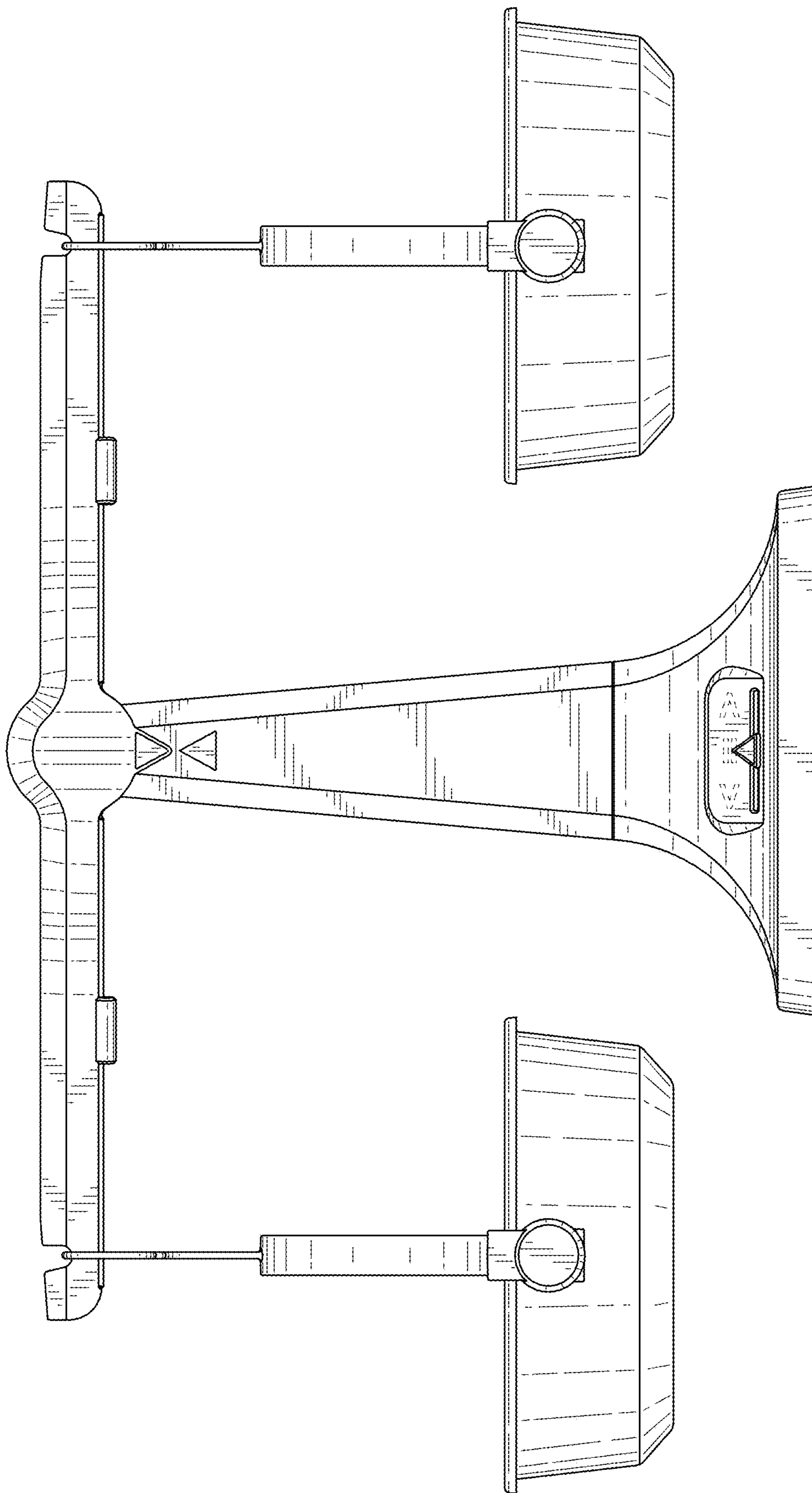
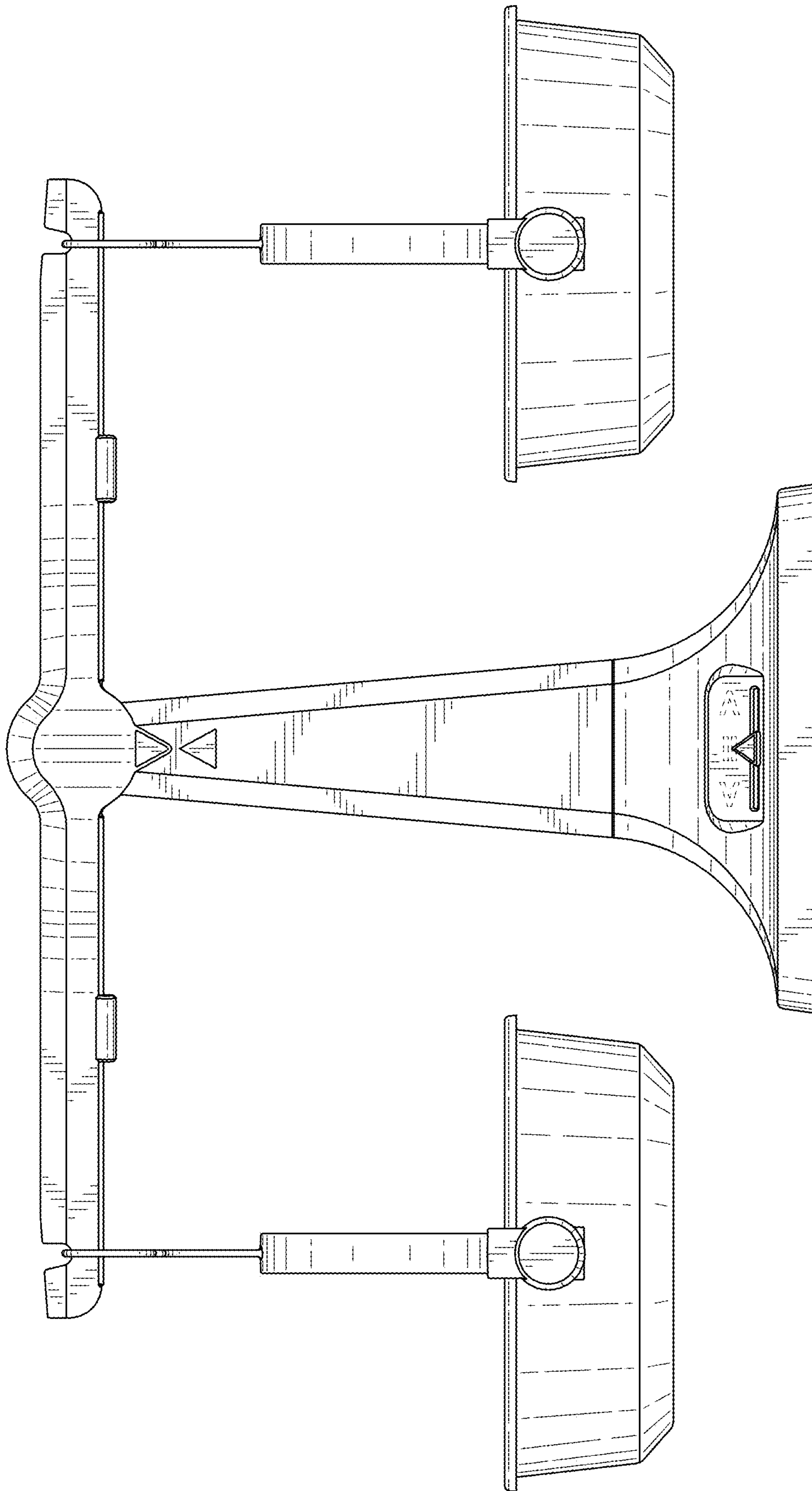


FIG. 3

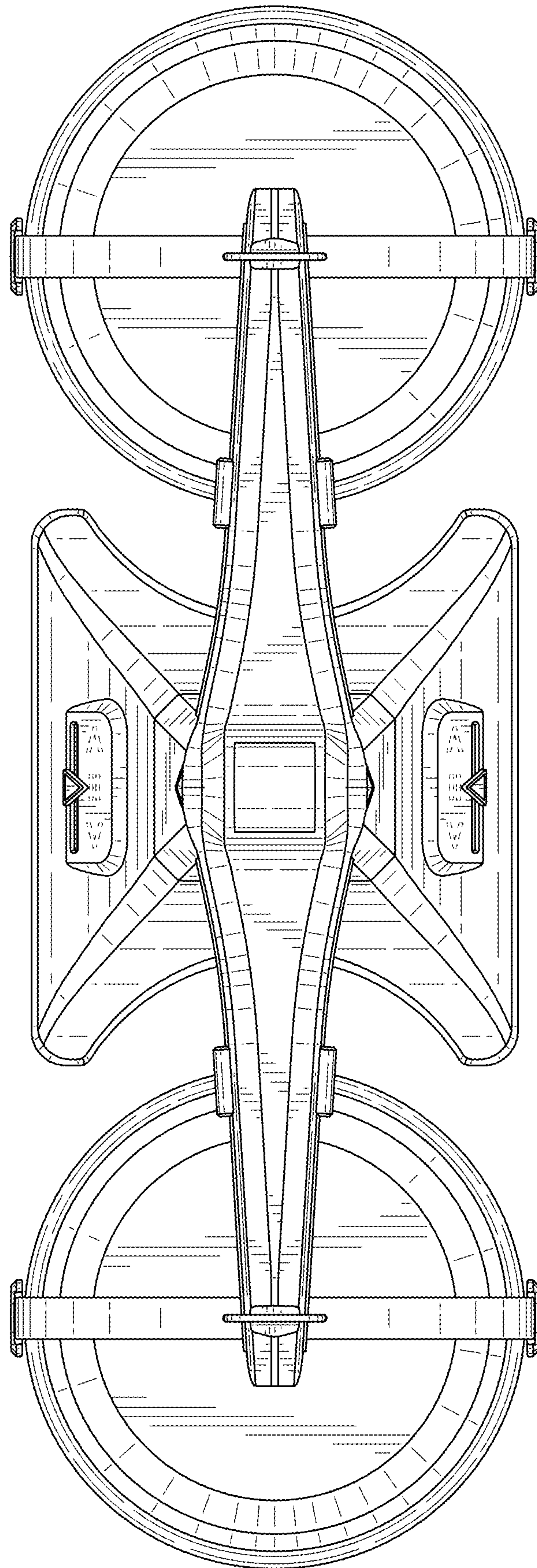




**FIG. 5**

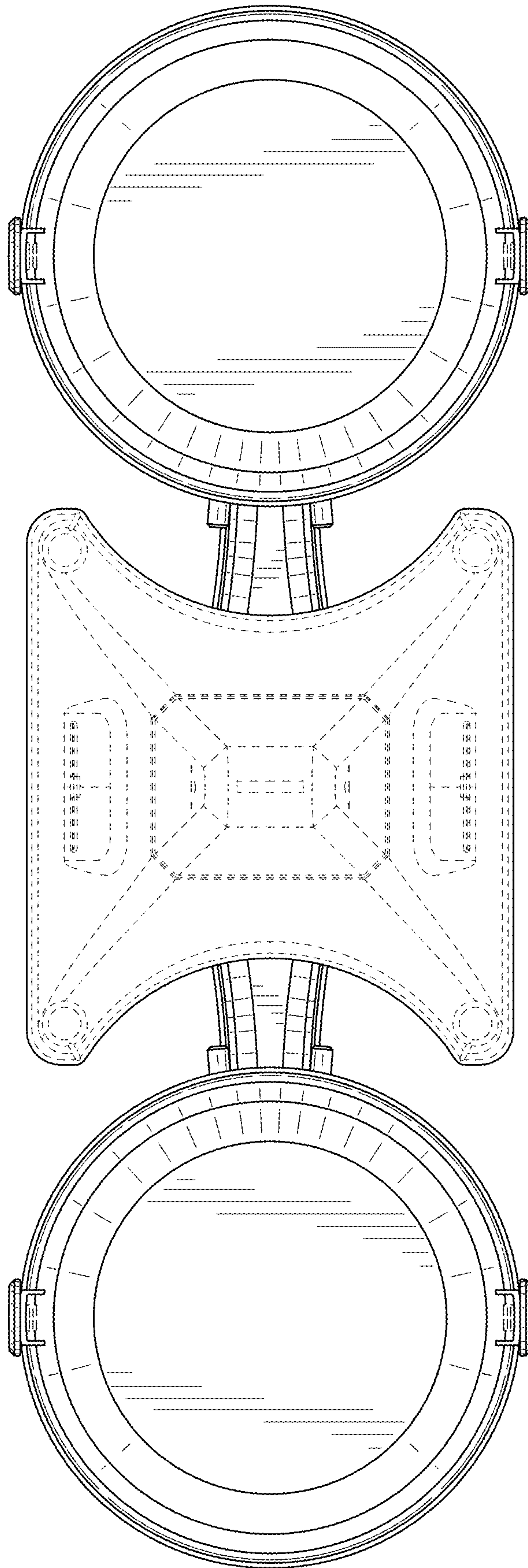


**FIG. 6**

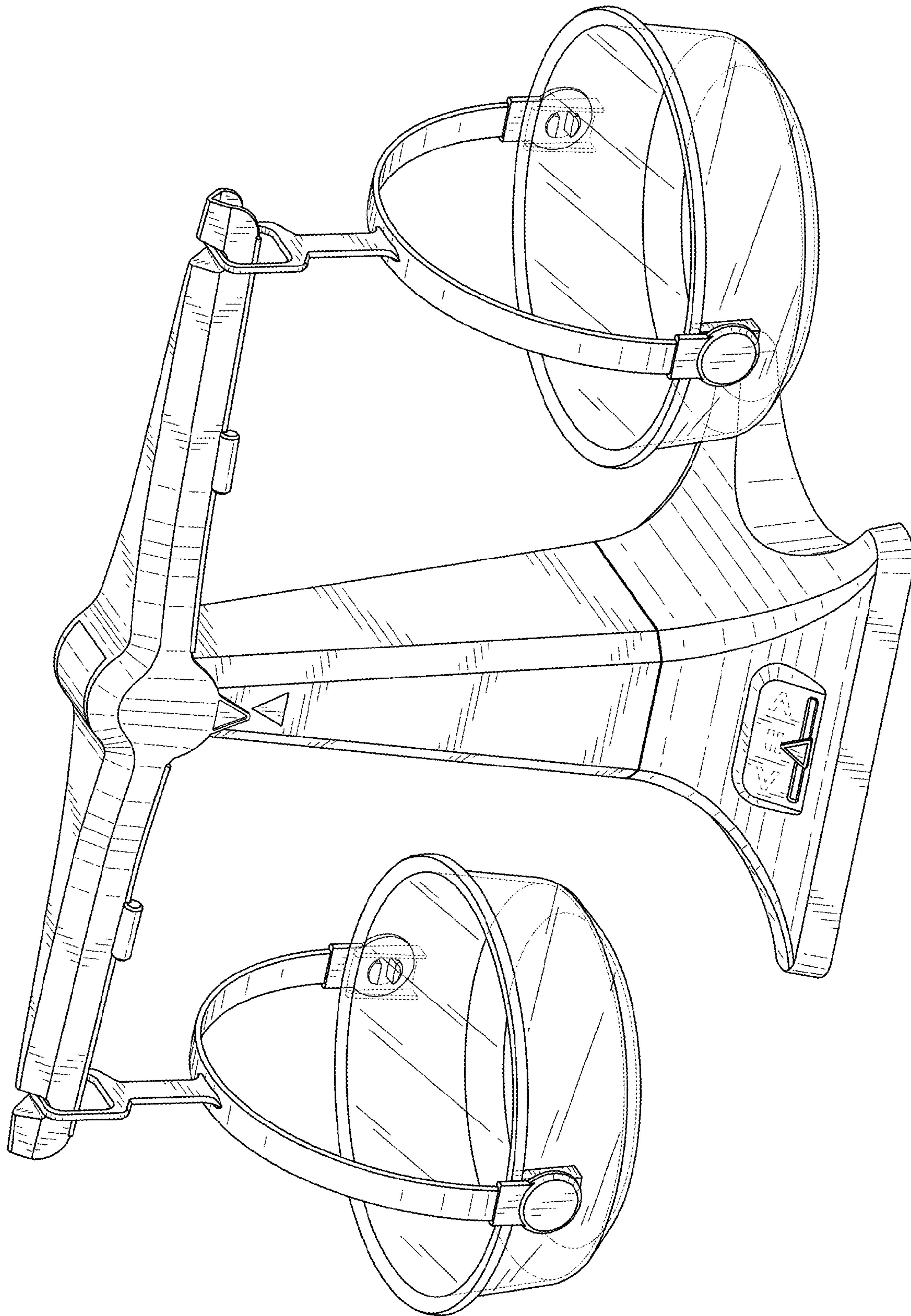


**FIG. 7**

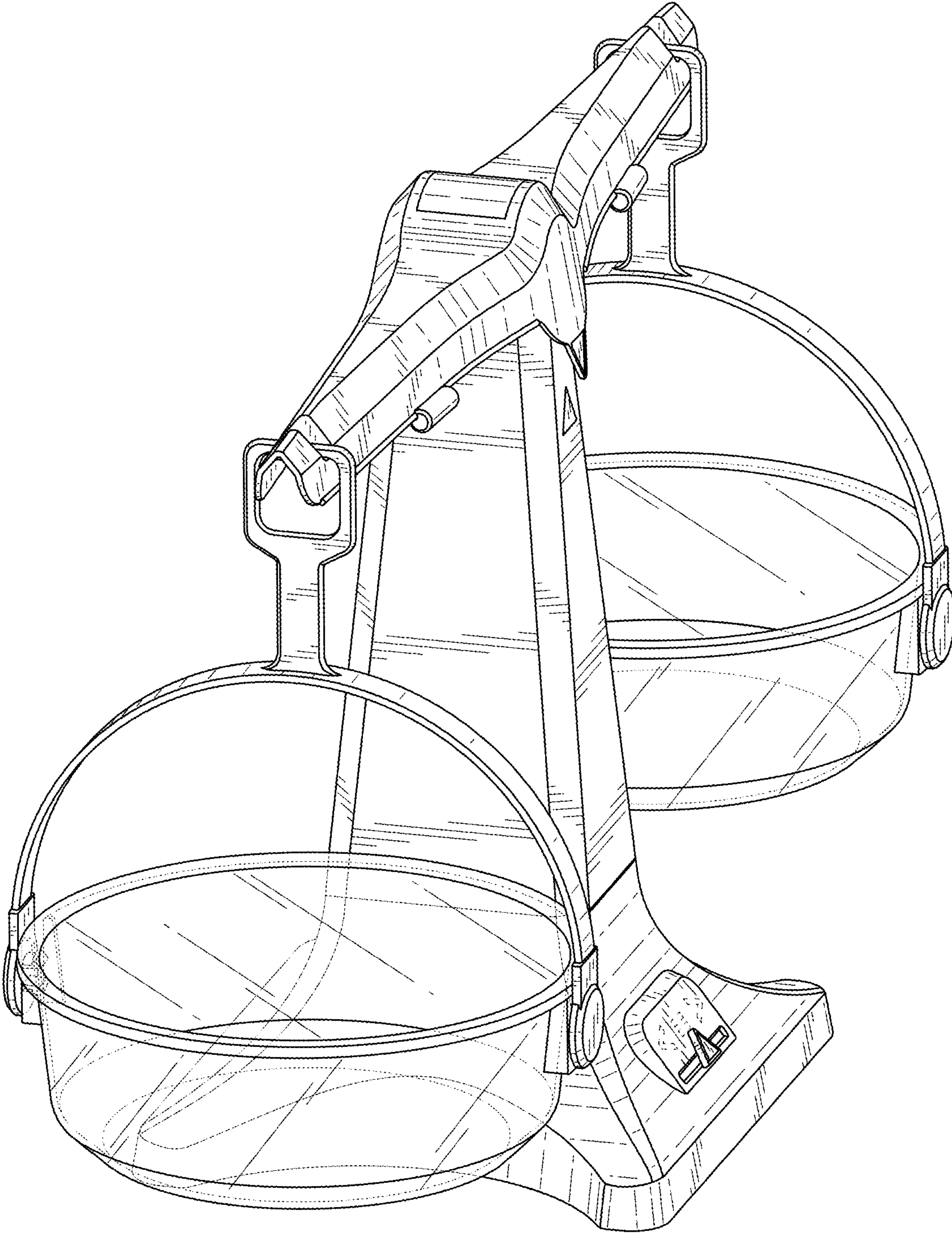




**FIG. 8**

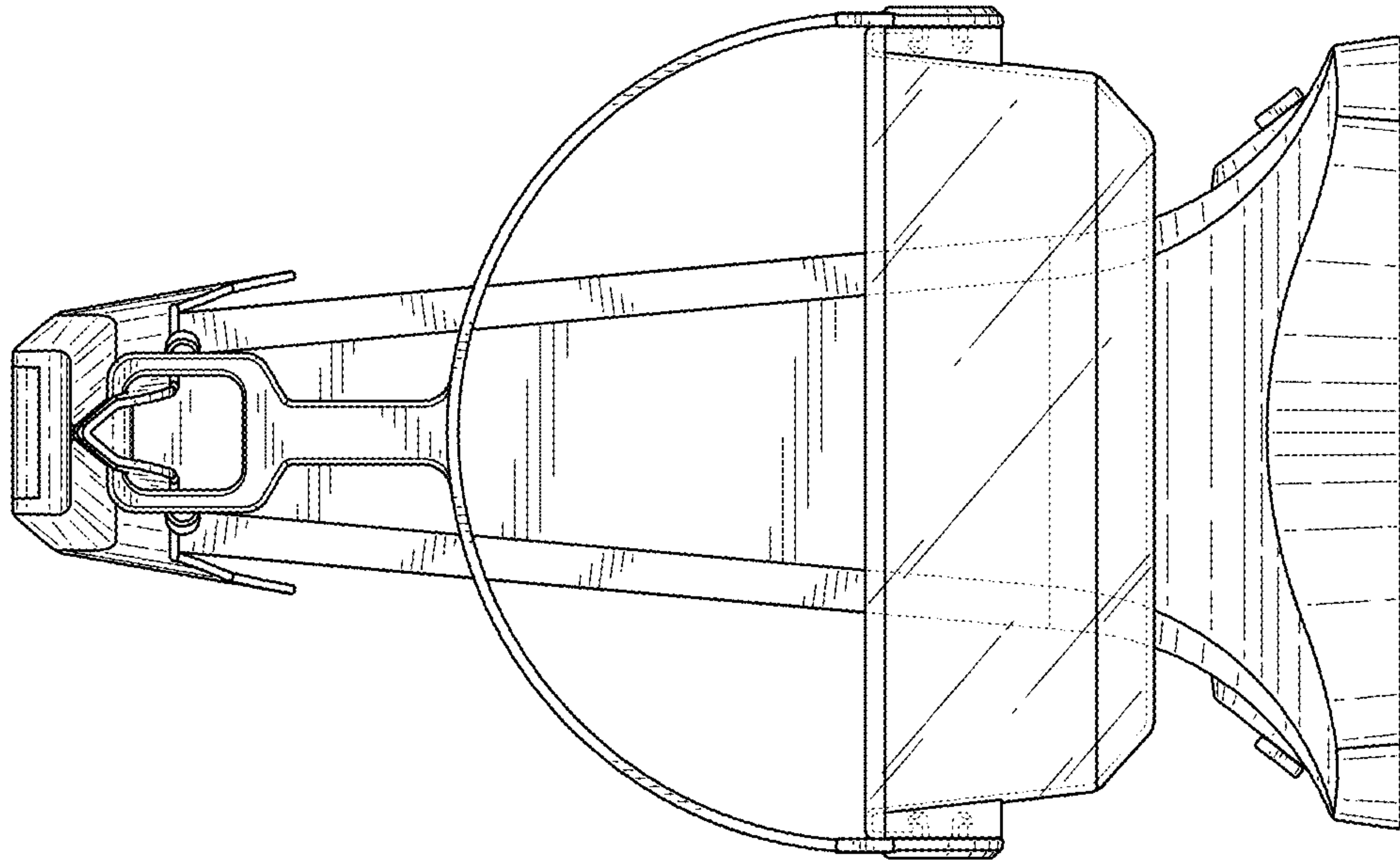


**FIG. 9**

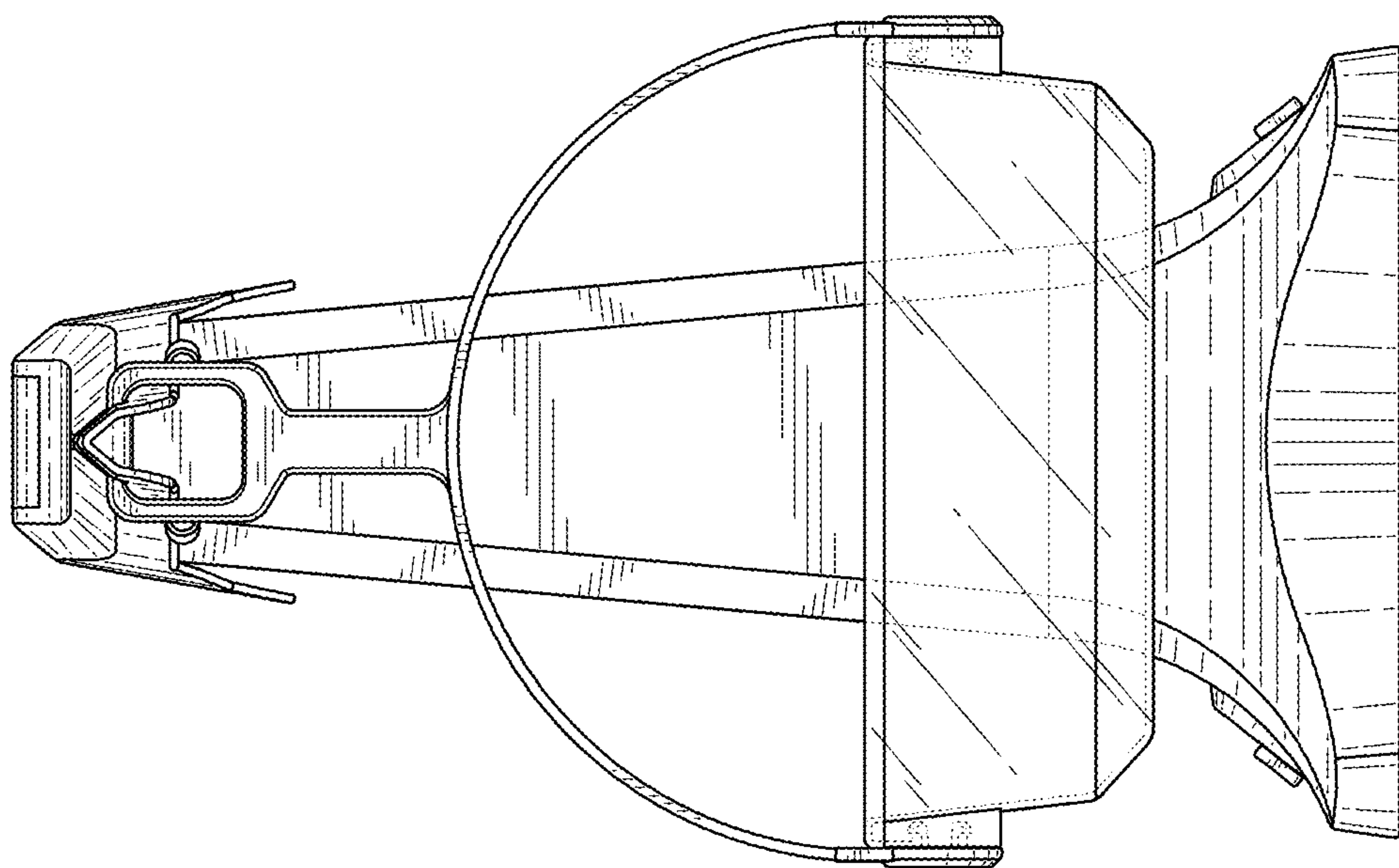


**FIG. 10**

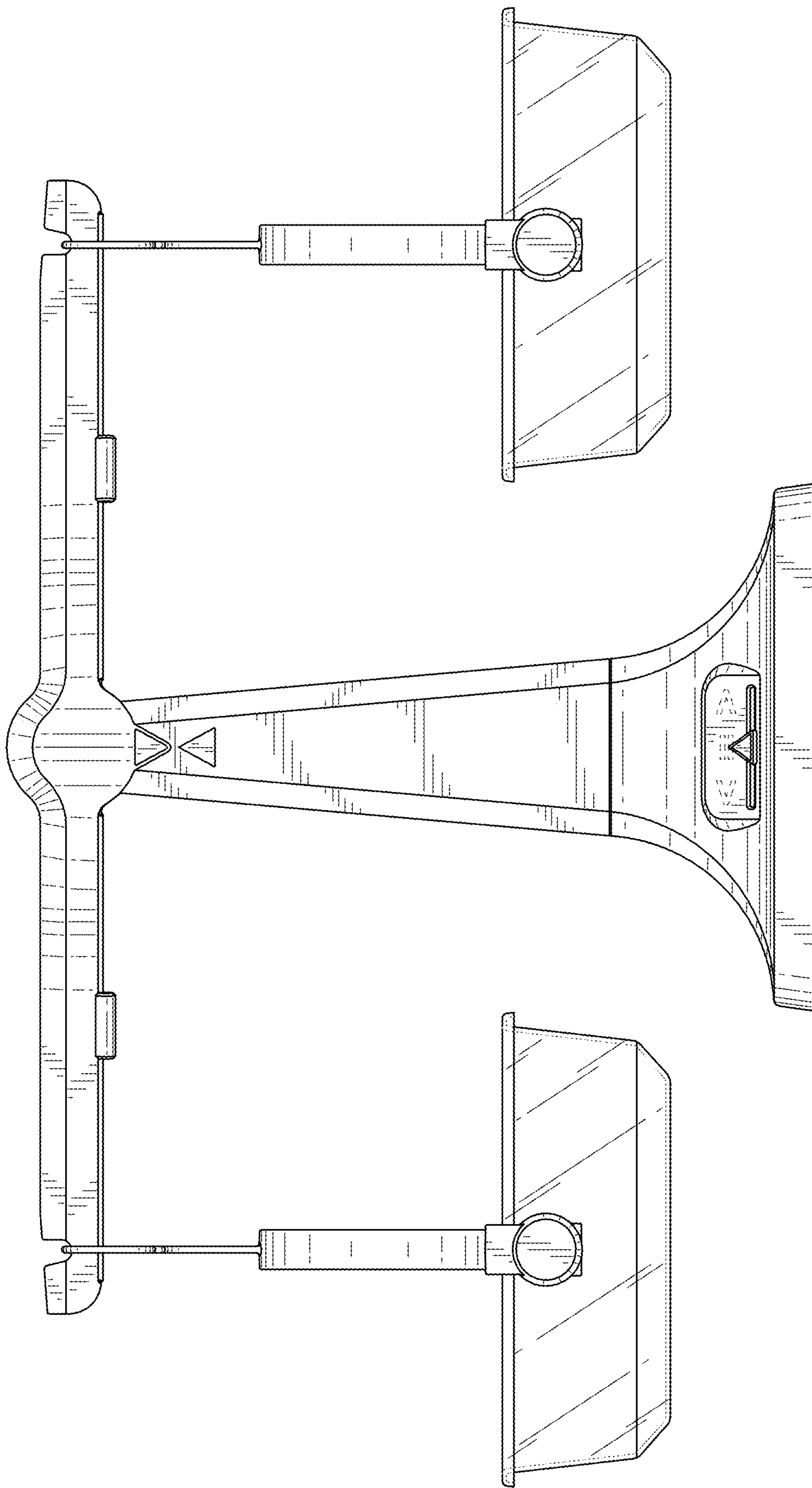




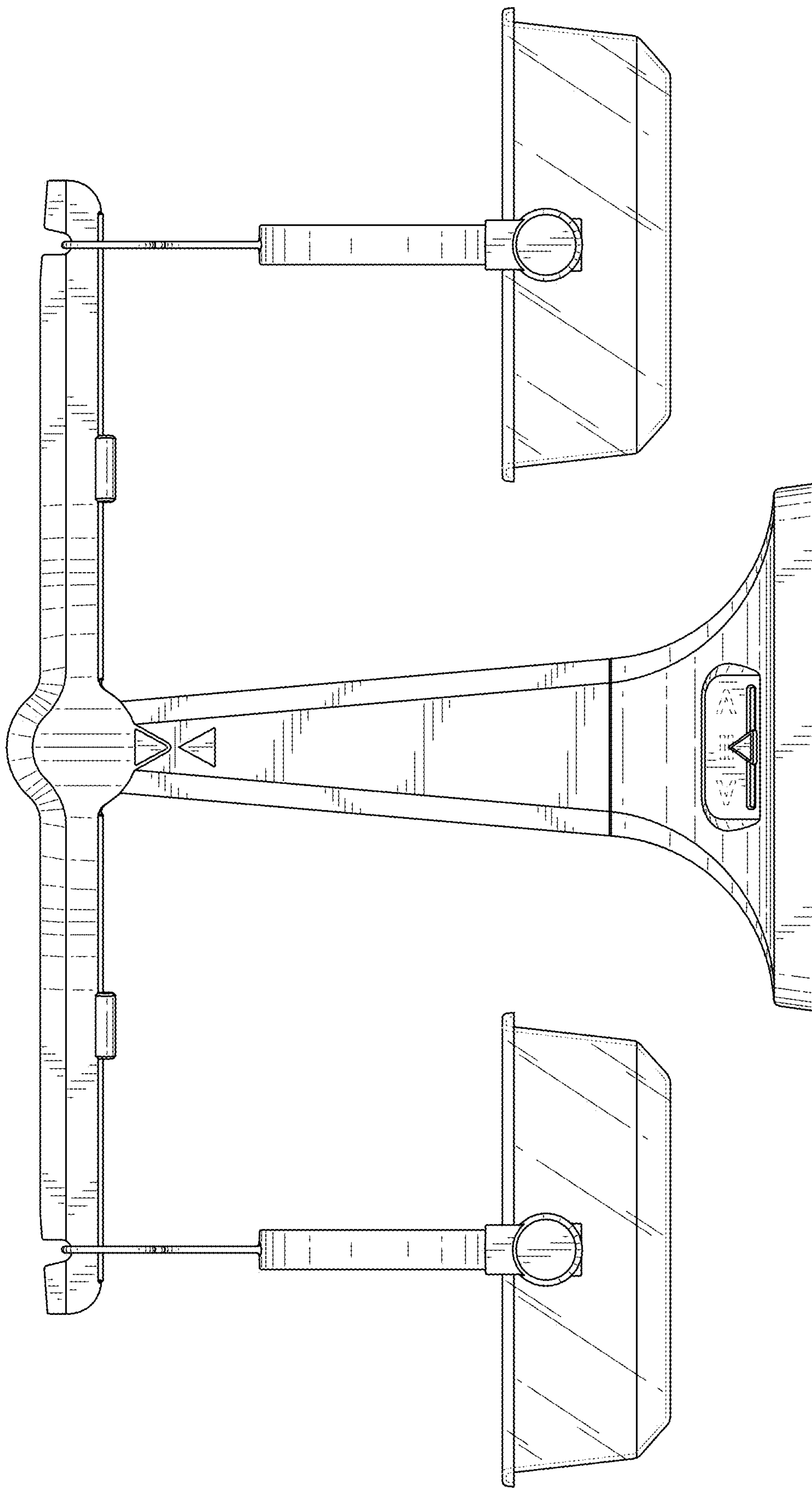
**FIG. 11**



**FIG. 12**

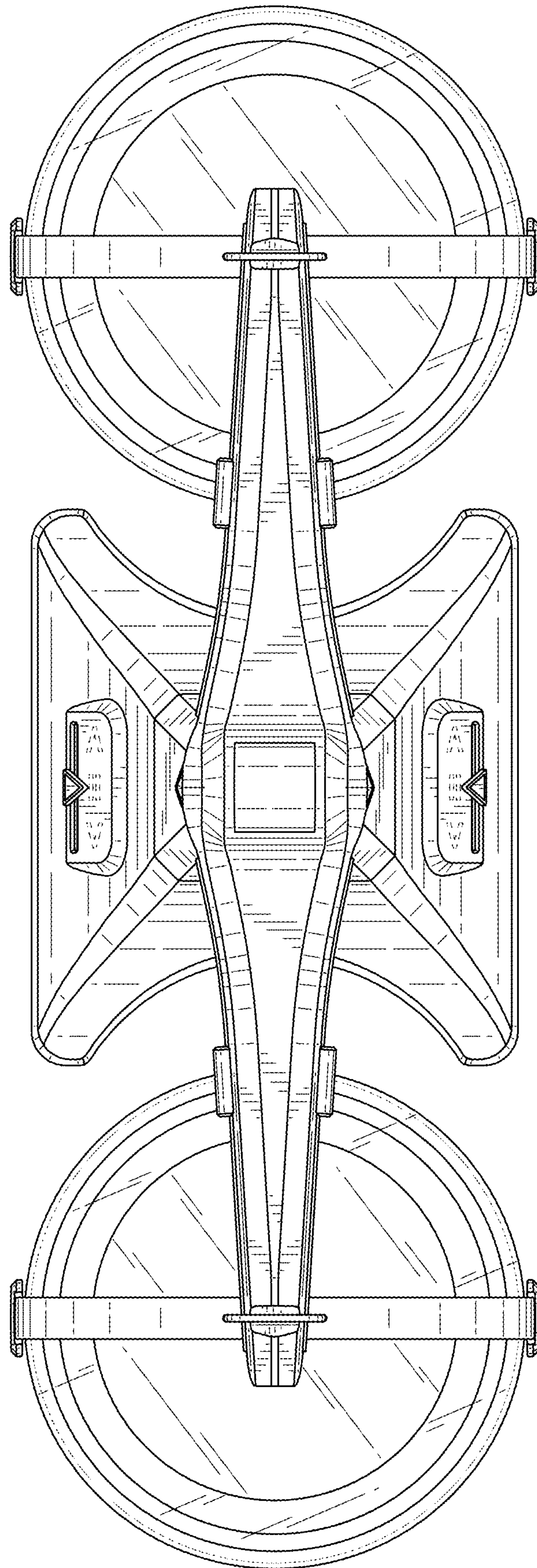


**FIG. 13**

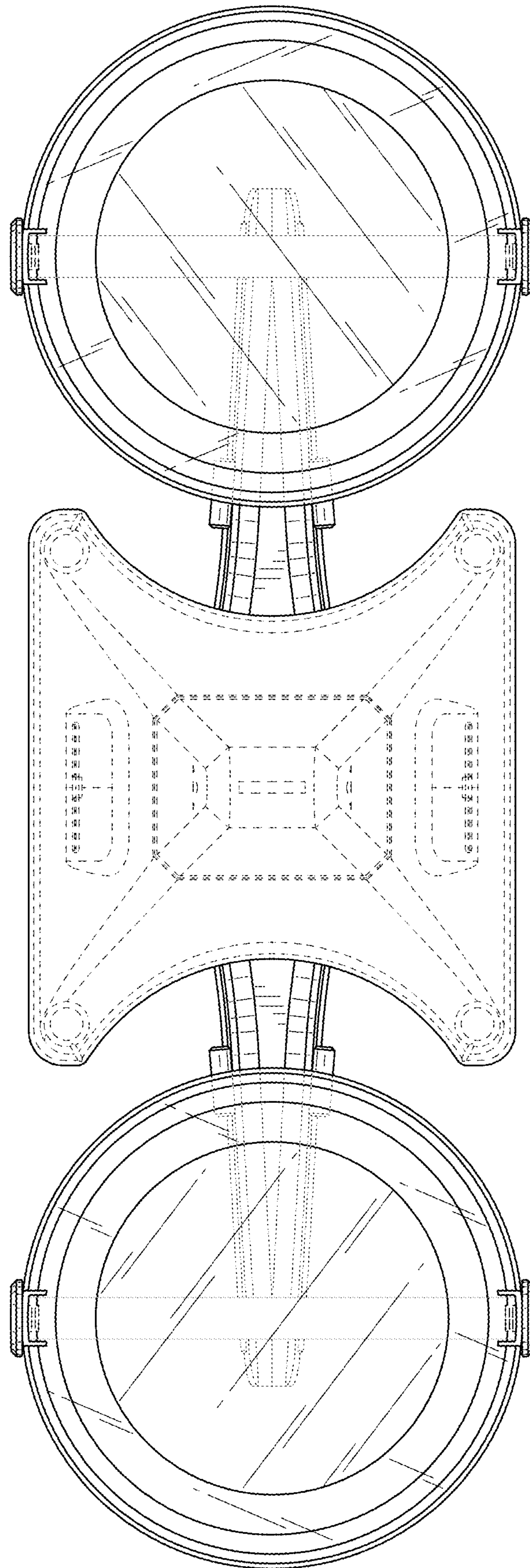


**FIG. 14**





**FIG. 15**



**FIG. 16**