



US00D949722S

(12) **United States Design Patent** (10) **Patent No.:** **US D949,722 S**
Thornton et al. (45) **Date of Patent:** **** Apr. 26, 2022**

(54) **ELECTRICAL RECEPTACLE TESTER**

FOREIGN PATENT DOCUMENTS

(71) Applicant: **Brunswick Corporation**, Mettawa, IL (US)

CA 161895 * 4/2015
CN 304918273 * 6/2018

(Continued)

(72) Inventors: **Karl E. Thornton**, Kewaskum, WI (US); **Joseph A. Schlaikowski**, Milwaukee, WI (US); **Matthew T. Elsner**, Mukwonago, WI (US); **David M. Schneider**, New Berlin, WI (US)

OTHER PUBLICATIONS

Sperry Instruments Store, GFI6302 GFCI Outlet / Receptacle Tester, Standard, Date first available Aug. 24, 2005, [online]retrieved Jan. 26, 2021, available from internet, https://www.amazon.com/Sperry-Instruments-GFI6302-Receptacle-Professional/dp/B000RUL2UU/ref=sr_1_1_sspa?dchild=1&keywords=Electric (Year: 2005).*

(Continued)

(73) Assignee: **BRUNSWICK CORPORATION**, Mettawa, IL (US)

(**) Term: **15 Years**

(21) Appl. No.: **29/797,206**

Primary Examiner — Keli L Hill

Assistant Examiner — Sara S Sahneh

(22) Filed: **Jun. 29, 2021**

(74) *Attorney, Agent, or Firm* — Andrus Intellectual Property Law, LLP

Related U.S. Application Data

(62) Division of application No. 29/721,090, filed on Jan. 17, 2020, now Pat. No. Des. 926,608.

(51) **LOC (13) Cl.** **10-05**

(57) **CLAIM**

The ornamental design for an electrical receptacle tester, as shown and described.

(52) **U.S. Cl.**

USPC **D10/75; D13/138.2**

DESCRIPTION

(58) **Field of Classification Search**

USPC D10/46, 61, 70-80, 52, 53, 65, 69; D13/133, 137.1, 137.2, 138.1, 138.2

CPC G01R 31/041; G01R 31/67; G01R 31/50; G01R 31/04; G01R 31/02; G01R 31/52; G01R 31/54; G01R 19/145; G01R 31/69; G01R 1/06788; G01R 31/024; G01R 31/025; G01R 31/3646; G01R 31/3647;

(Continued)

FIG. 1 is a front perspective view of an electrical receptacle tester according to our new and ornamental design; FIG. 2 is a right side view thereof; FIG. 3 is a left side view thereof; FIG. 4 is front view thereof; FIG. 5 is a rear view thereof; FIG. 6 is top view thereof; and, FIG. 7 is a bottom view thereof.

(56) **References Cited**

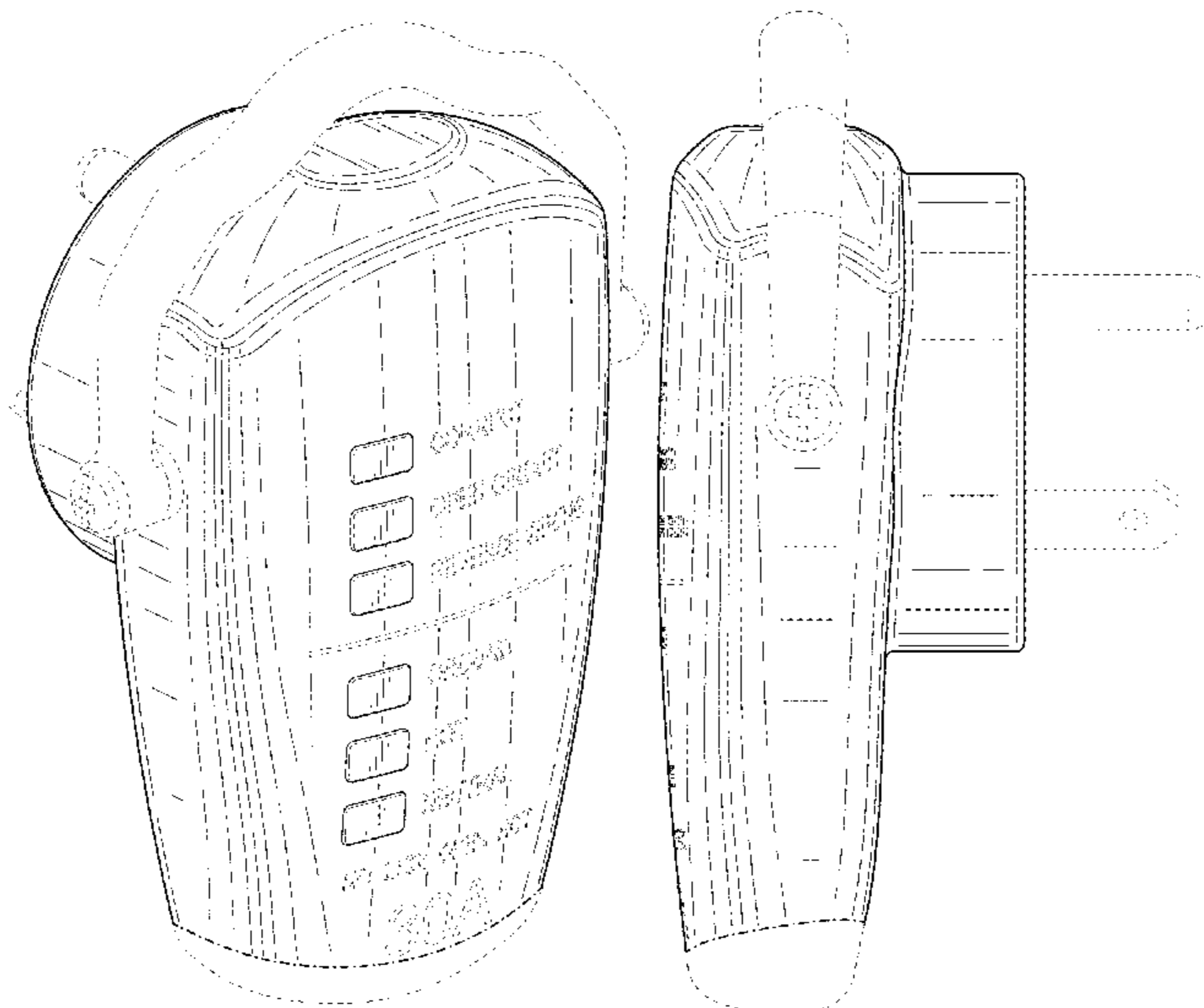
U.S. PATENT DOCUMENTS

6,072,317 A 6/2000 Mackenzie
D587,150 S * 2/2009 Mertens D10/65

(Continued)

The evenly broken lines depict portions of the electrical receptacle tester that form no part of the claimed design. The dash-dot broken lines between the solid lines and the evenly dashed lines represent boundaries of the claimed design and form no part of the claimed design.

1 Claim, 6 Drawing Sheets



(58) **Field of Classification Search**

CPC .. G01R 31/378; G01R 31/392; H05K 5/0047;
 G06F 3/0412; G06F 3/04817; G06F
 3/04842; G06F 3/0485

See application file for complete search history.

FOREIGN PATENT DOCUMENTS

CN	305972347	*	4/2020
CN	306260942	*	8/2020
CN	306173943	*	11/2020
GB	6123656	*	3/2021
KR	300885363.0000	*	3/2016

(56)

References Cited

U.S. PATENT DOCUMENTS

D735,136	S	*	7/2015	Aromin	D13/138.2
D742,831	S	*	11/2015	Yu	D13/139.6
D816,614	S	*	5/2018	An	D13/137.1
D819,631	S	*	6/2018	Matsumiya	D14/357
D880,426	S	*	4/2020	Aromin	D13/138.2
D908,124	S	*	1/2021	Abellera	D14/413
D923,499	S	*	6/2021	Lee	D10/78
D929,341	S	*	8/2021	Li	D13/138.2
2004/0174173	A1		9/2004	Elms et al.	
2005/0275409	A1		12/2005	Mason et al.	
2006/0132143	A1		6/2006	Sears et al.	
2009/0045817	A1		2/2009	Savicki, Jr. et al.	
2016/0327601	A1		11/2016	Brockman et al.	
2018/0166833	A1*		6/2018	Nie	H02H 3/16
2018/0302997	A1*		10/2018	Aromin	H05K 5/0247
2021/0102994	A1*		4/2021	Chien	G01R 31/2841
2021/0223331	A1*		7/2021	Thornton	G01R 1/06788

OTHER PUBLICATIONS

Kalageen Store, RV Circuit Analyzer Tester, Date first available Jul. 7, 2021, [online]retrieved Sep. 2021, available from internet, [https://www.amazon.com/dp/B098SX4FD1/ref=sspa_dk_detail_3?psc=1&pd_rd_i=B098SX4FD1&pf_rd_p=9fd3ea7c-b77c-42ac-b43b-c872d3f37c38&pd_rd_wg=DUKTG&pf_rd_r=MJCTGC1YXBH84SVQWNGW&\(Year: 2021\).](https://www.amazon.com/dp/B098SX4FD1/ref=sspa_dk_detail_3?psc=1&pd_rd_i=B098SX4FD1&pf_rd_p=9fd3ea7c-b77c-42ac-b43b-c872d3f37c38&pd_rd_wg=DUKTG&pf_rd_r=MJCTGC1YXBH84SVQWNGW&(Year: 2021).)*

MESTEK Store, Socket Tester GFCI Outlet Receptacle Tester MESTEK Automatic Electrical Power Circuit, Date first available Jul. 1, 2019, [online]retrieved Jan. 26, 2021, available from internet, https://www.amazon.com/Receptacle-MESTEK-Automatic-Electrical-Polarity/dp/B07TWFD2RK/ref=sr_1_7?dchild=1&keywor (Year: 2019).*

YOUTHTECH, RV Surge Protector, Date first available Jul. 12, 2021, [online]retrieved Sep. 21, 2021, available from https://www.amazon.com/dp/B0995LB9LH/ref=sspa_dk_detail_5?psc=1&pd_rd_i=B0995LB9LH&pd_rd_w=UD5sO&pf_rd_p=9fd3ea7c-b77c-42ac-b43b-c872d3f37c38&pd_rd_wg=1JAJV&pf_rd_r=86P3H603N76V9R3720ZA&pd_rd_r (Year: 2021).*

* cited by examiner

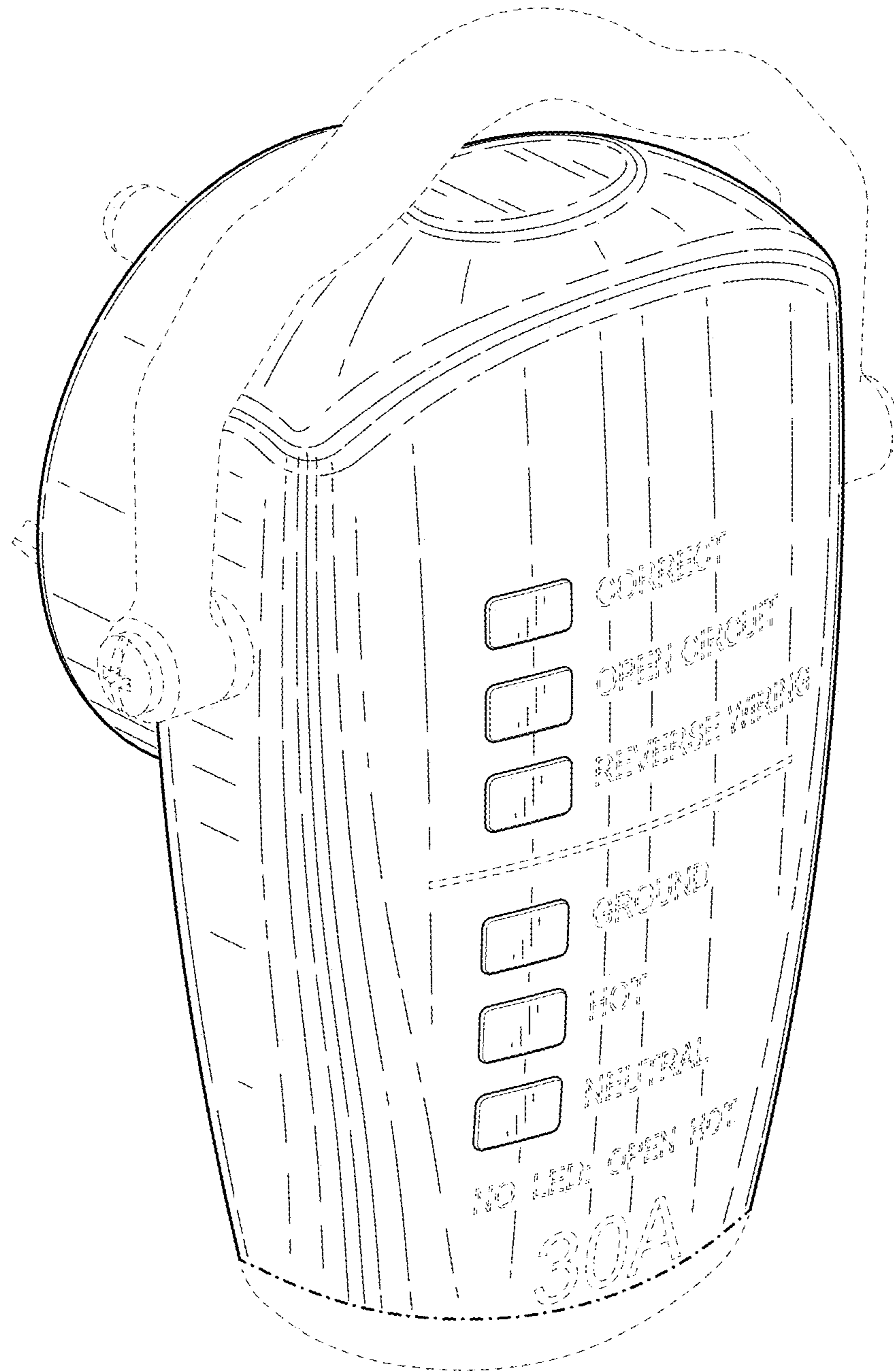


FIG. 1

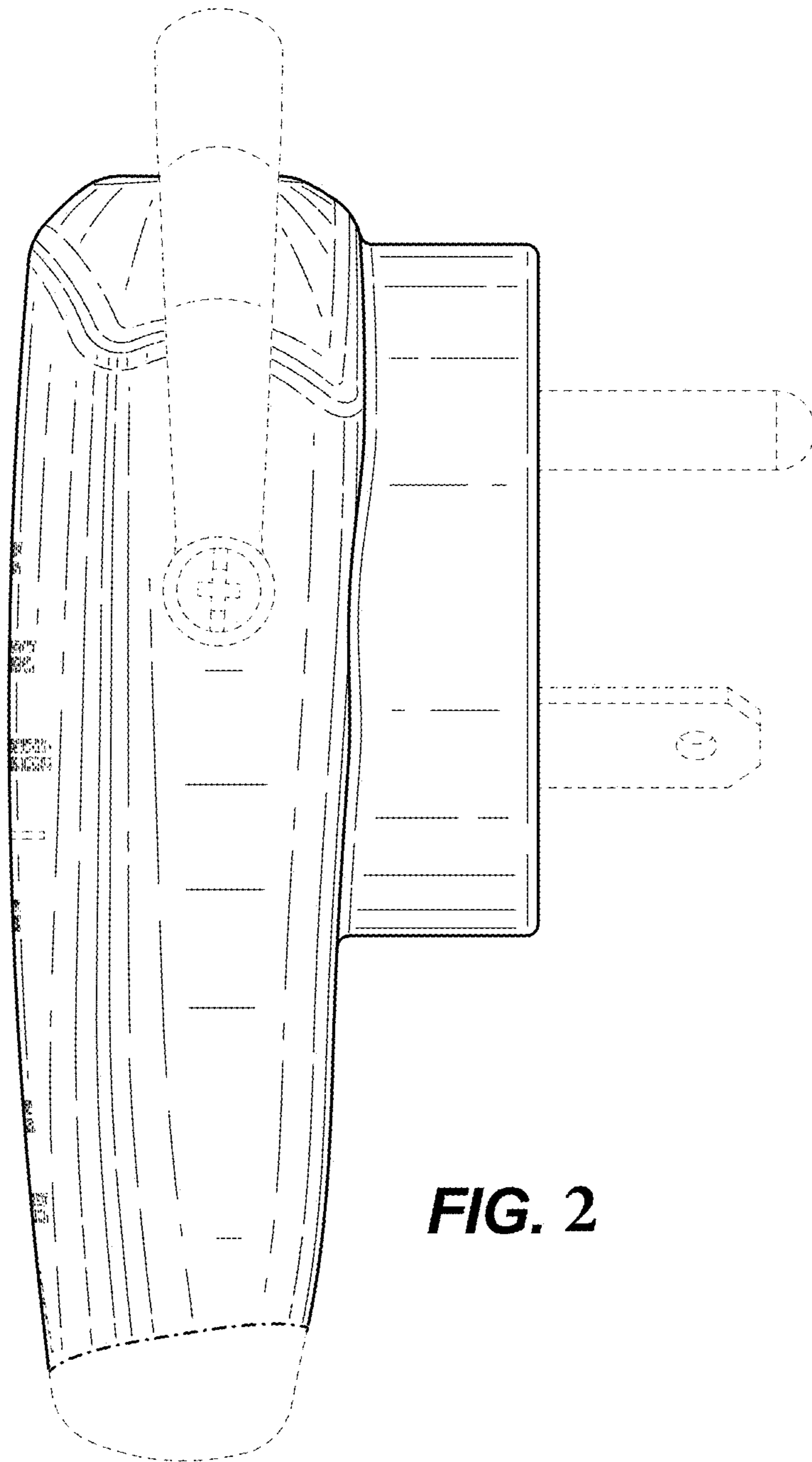


FIG. 2

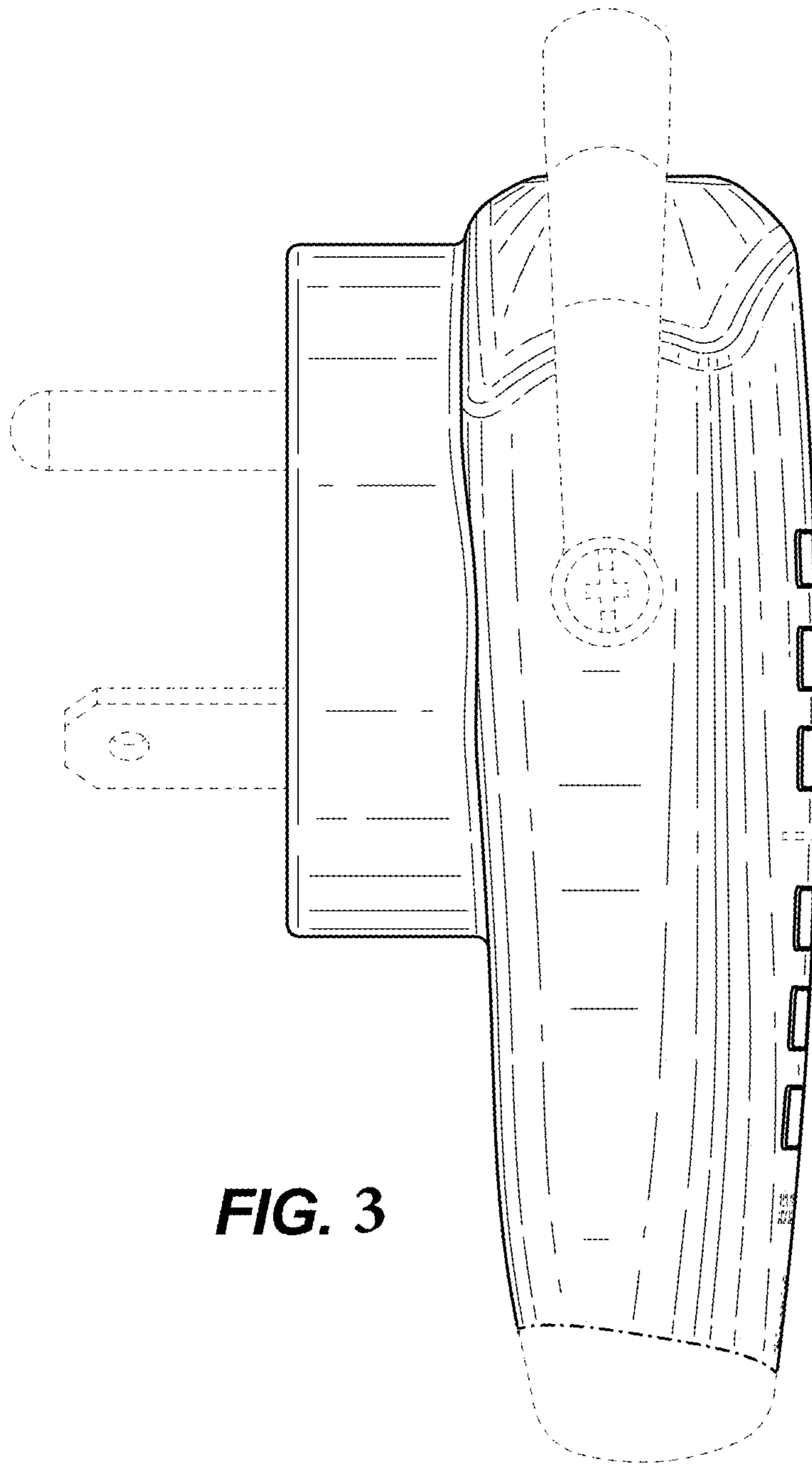


FIG. 3

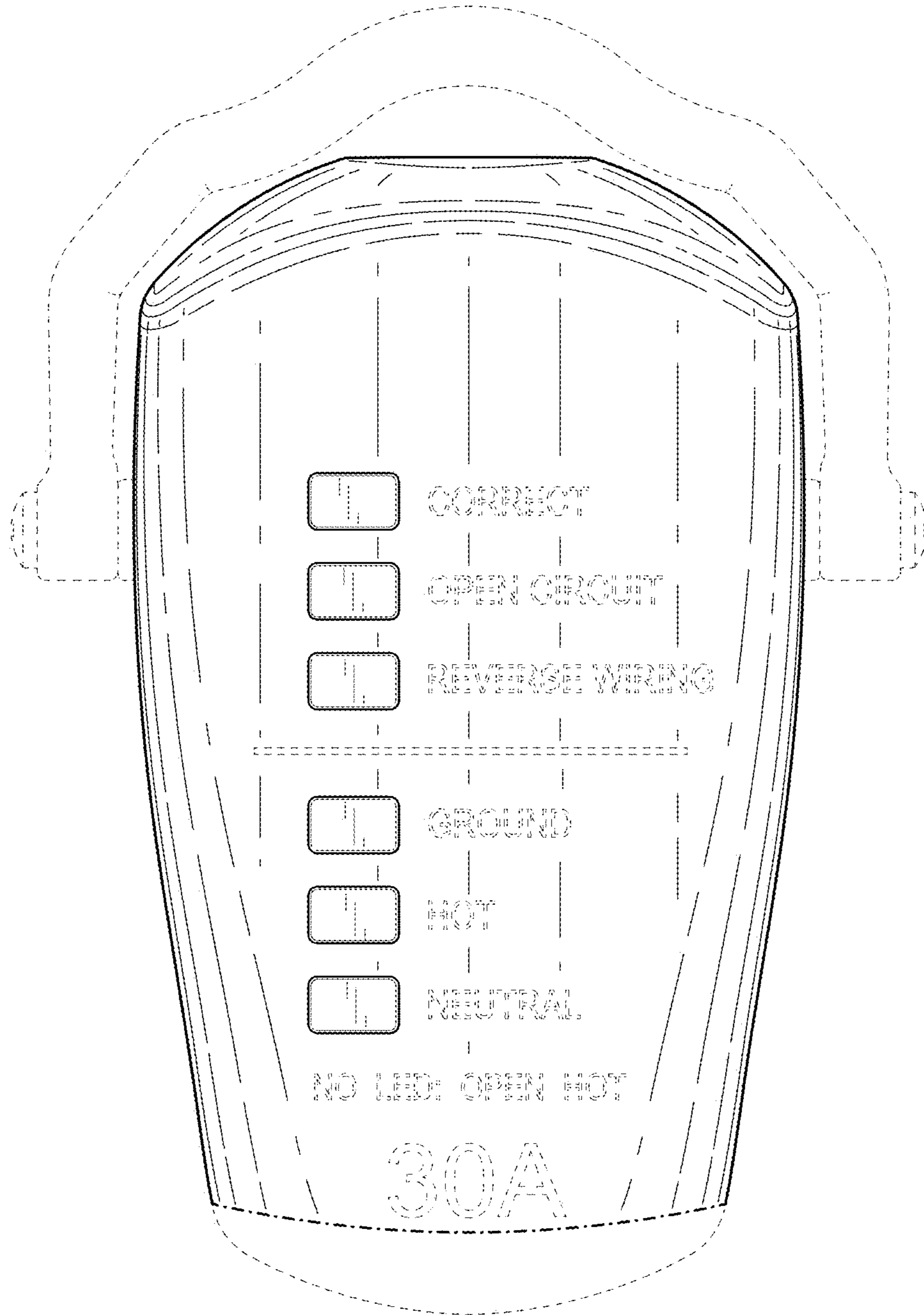


FIG. 4

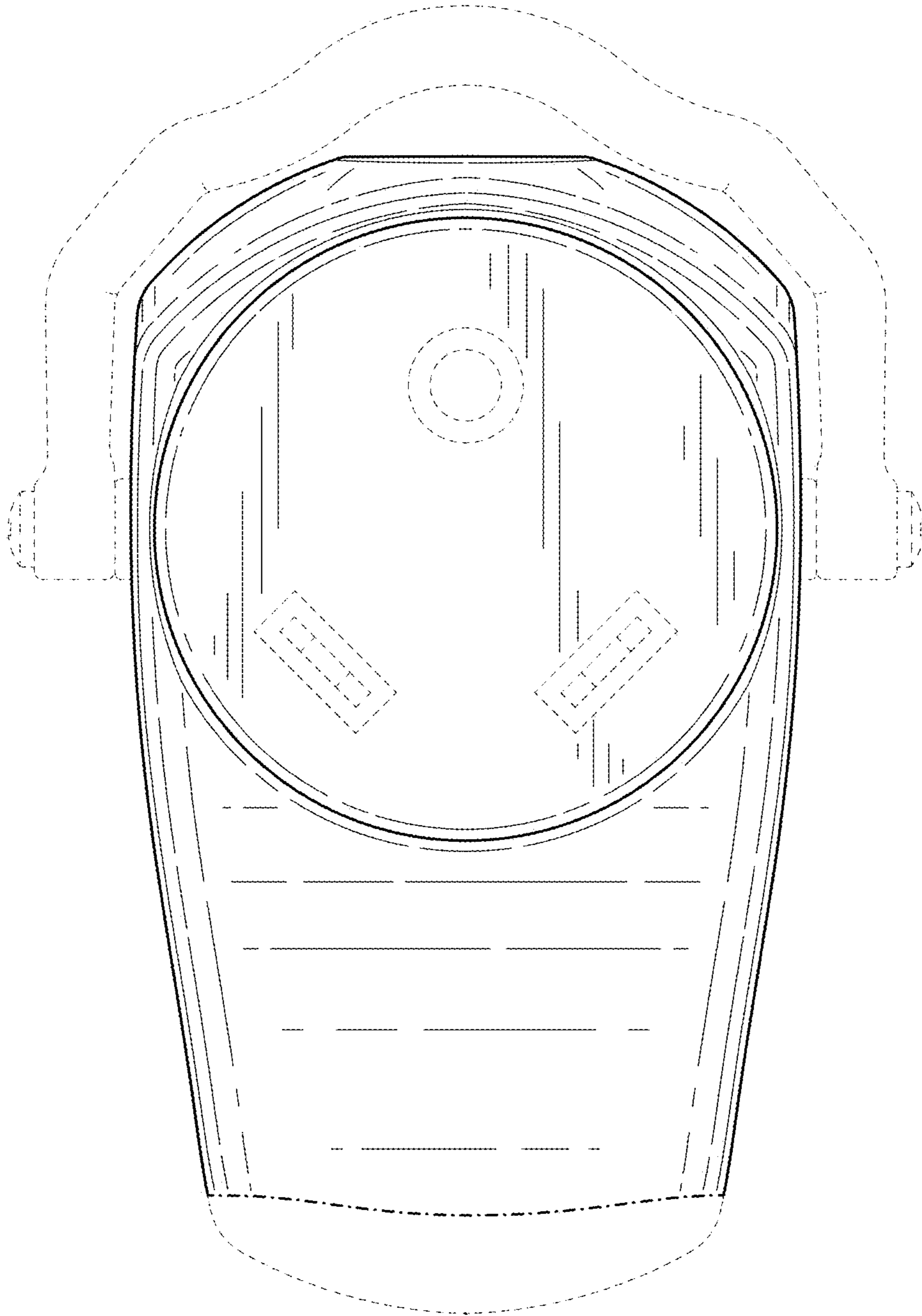


FIG. 5

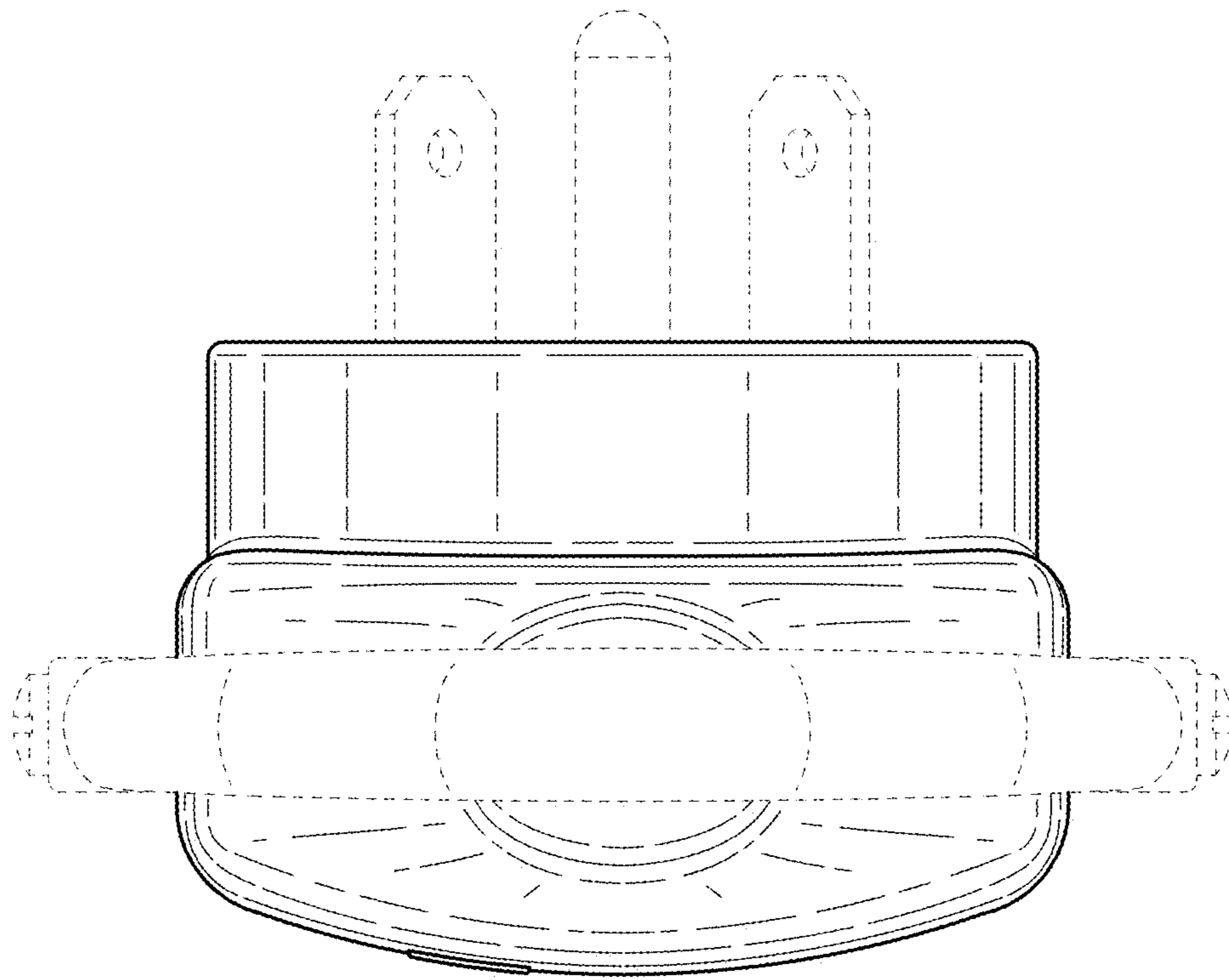


FIG. 6

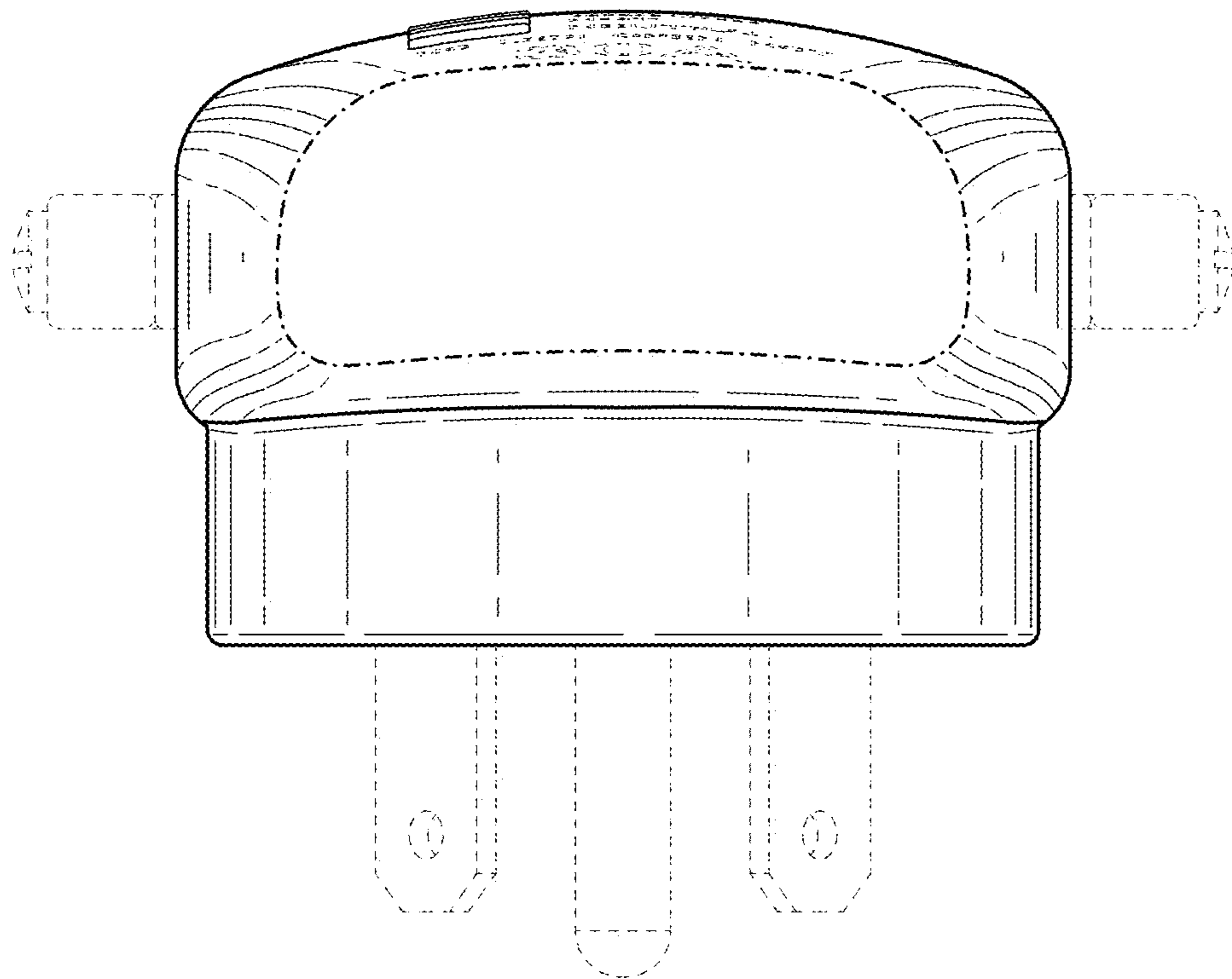


FIG. 7