

US00D949721S

(12) **United States Design Patent**  
**Franklin et al.**

(10) **Patent No.:** **US D949,721 S**  
(45) **Date of Patent:** **\*\* Apr. 26, 2022**

(54) **RIBBON MEASURING TOOL**

(71) Applicant: **Unique In The Creek Limited**, Stony Creek (CA)

(72) Inventors: **David Franklin**, Stony Creek (CA);  
**Laurie MacNeill**, Stony Creek (CA)

(73) Assignee: **Unique In The Creek Limited**, Stony Creek (CA)

(\*\*) Term: **15 Years**

(21) Appl. No.: **29/730,677**

(22) Filed: **Apr. 7, 2020**

(51) **LOC (13) Cl.** ..... **10-04**

(52) **U.S. Cl.**  
USPC ..... **D10/71; D10/65; D10/70**

(58) **Field of Classification Search**  
USPC ..... D10/65, 71, 73, 74, 70, 72, 62, 64;  
D24/143, 140  
CPC ..... B43L 7/10; G01B 3/56; G01C 9/26  
See application file for complete search history.

(56) **References Cited**

**U.S. PATENT DOCUMENTS**

144,003	A	10/1873	Waterbury	
224,401	A	2/1880	Derickson	
575,671	A *	1/1897	Watts	G01B 3/04
				7/164
1,522,280	A *	1/1925	Strom	G01B 3/1084
				242/395.1
D160,541	S *	10/1950	Rippon	D10/64
2,826,816	A *	3/1958	Major	B43L 7/00
				D10/71
D188,806	S *	9/1960	Le Roy Davis	D10/71
3,197,875	A *	8/1965	D Azzo	G01B 3/04
				33/2 R
3,591,904	A	7/1971	Rosene	
3,816,888	A	6/1974	Rather, Jr.	
D232,859	S *	9/1974	Colquitt, Jr.	D10/70

(Continued)

**OTHER PUBLICATIONS**

UITC Reindeer Wreath, Featuring Measure Buddy Bows, Easy DIY Christmas Craft, LIVE Replay, Youtube, publication date Nov. 18,

2020, (online) URL: <https://www.youtube.com/watch?v=6qF8xvkkWvc> (Year: 2020).\*

*Primary Examiner* — L. A. Grabenstetter

*Assistant Examiner* — Antoinette Martine Suiter

(74) *Attorney, Agent, or Firm* — Woodard, Emhardt, Henry, Reeves & Wagner, LLP

(57) **CLAIM**

The ornamental design for a ribbon measuring tool, as shown and described.

**DESCRIPTION**

FIG. 1 is a perspective view of the ribbon measuring tool in an extended configuration.

FIG. 2 is a top view of the ribbon measuring tool of FIG. 1.

FIG. 3 is a bottom view of the ribbon measuring tool of FIG. 1.

FIG. 4 is a side view of the ribbon measuring tool of FIG. 1, the opposite side is a mirror image.

FIG. 5 is an end view of the ribbon measuring tool of FIG. 1, the opposite end is a mirror image.

FIG. 6 is a perspective view of the ribbon measuring tool of FIG. 1 in a collapsed configuration.

FIG. 7 is a top view of the ribbon measuring tool of FIG. 6.

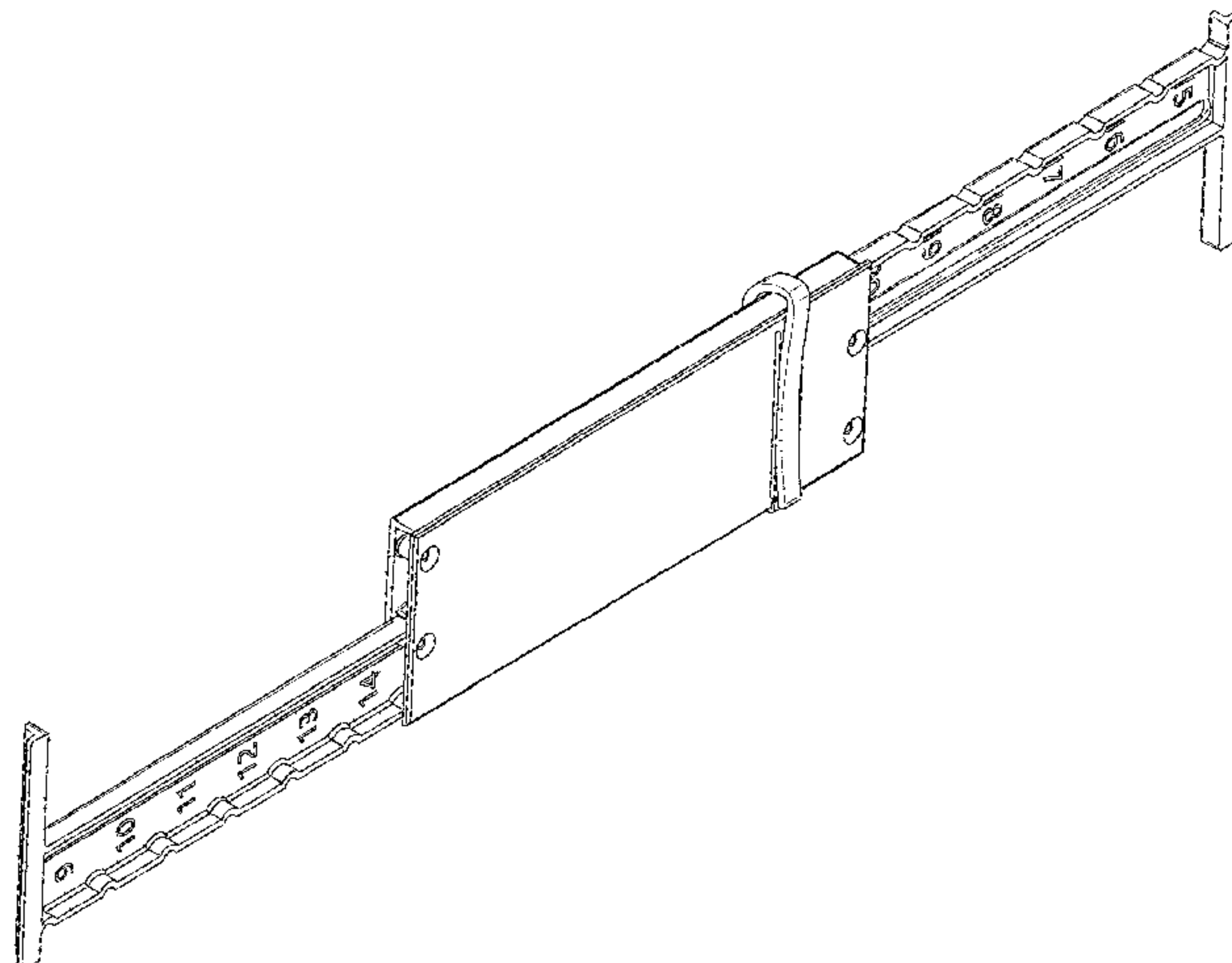
FIG. 8 is a bottom view of the ribbon measuring tool of FIG. 6.

FIG. 9 is a side view of the ribbon measuring tool of FIG. 6, the opposite side is a mirror image.

FIG. 10 is an end view of the ribbon measuring tool of FIG. 6, the opposite end is a mirror image; and,

FIG. 11 is an exploded perspective view of the ribbon measuring tool of FIG. 1.

**1 Claim, 5 Drawing Sheets**



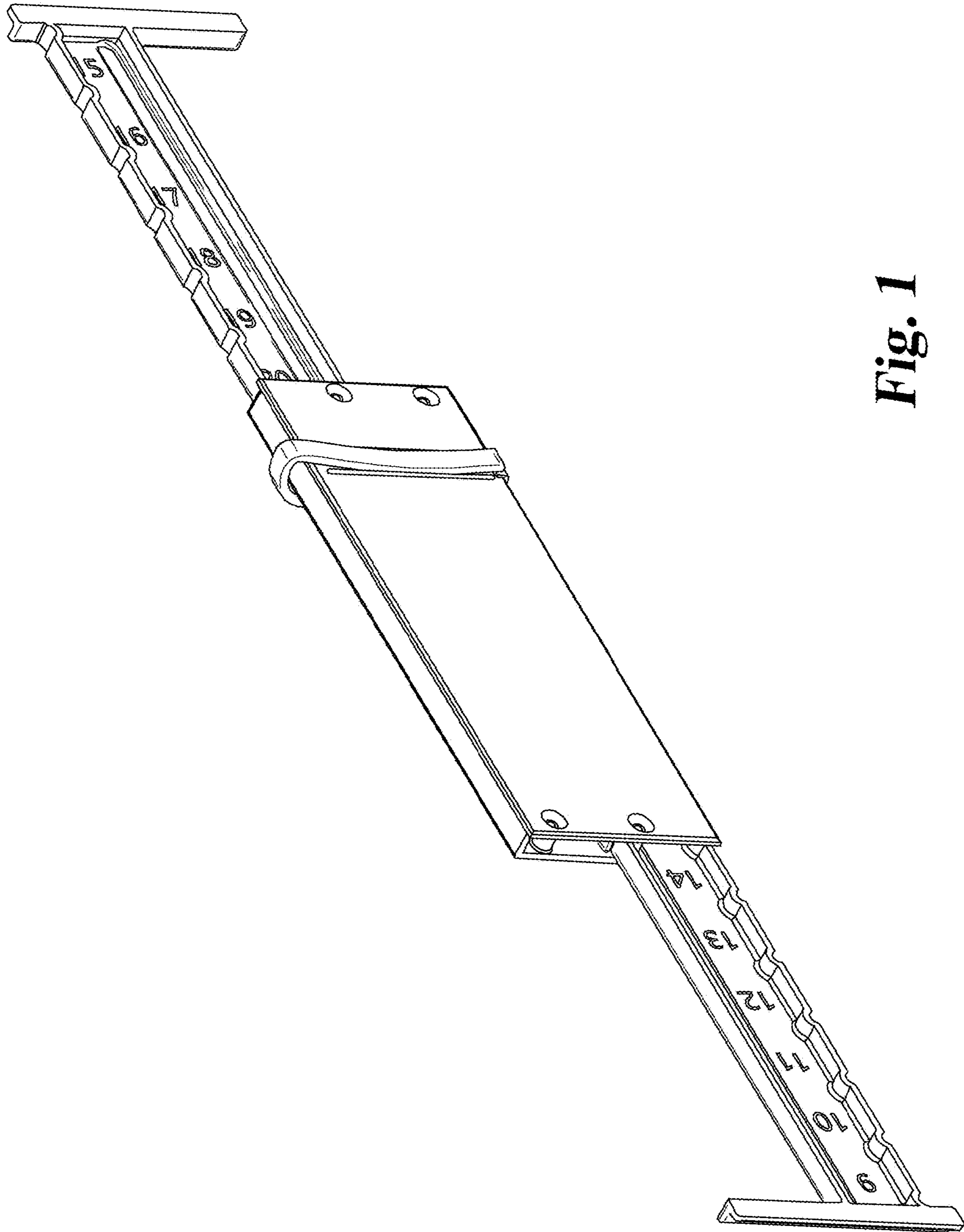
(56)

References Cited

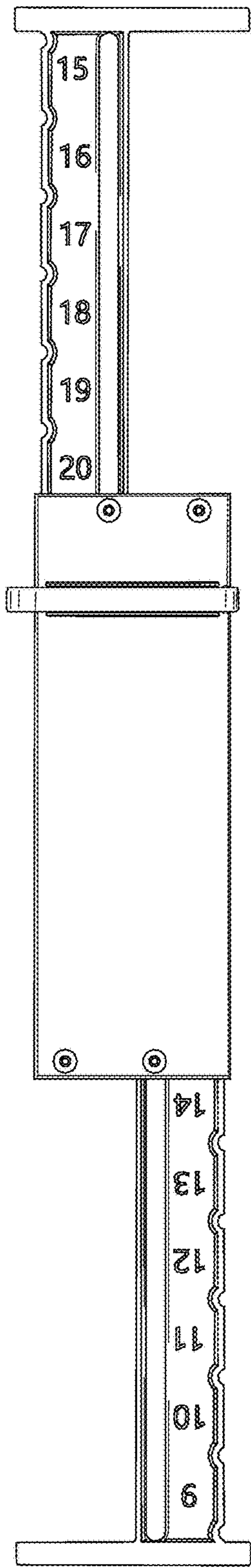
U.S. PATENT DOCUMENTS

3,838,519	A	10/1974	Chick	
3,854,179	A	12/1974	Montoya	
3,857,143	A	12/1974	Montory et al.	
4,337,578	A	7/1982	Seals	
D269,504	S	6/1983	Swenson	
4,930,221	A *	6/1990	Taylor .....	B27B 27/02 33/640
4,941,267	A *	7/1990	Miller, Jr. ....	B43L 13/00 D10/70
D342,030	S *	12/1993	Krantz .....	D10/64
5,582,360	A	12/1996	Herman	
5,617,979	A	4/1997	Cavender	
D380,400	S *	7/1997	Peard .....	D10/70
D400,810	S *	11/1998	Landauer .....	D10/70
6,000,586	A	12/1999	Cavender	
6,112,957	A	9/2000	Massullo	
D497,816	S *	11/2004	Sipos .....	D10/62
7,467,471	B1	12/2008	Sutter	
D639,684	S *	6/2011	Essel .....	D10/64
7,971,367	B2	7/2011	Stengel et al.	
8,403,145	B1	3/2013	Yip et al.	
D699,132	S *	2/2014	Haykeen .....	D10/70
8,640,352	B2	2/2014	Porreca et al.	
D726,036	S *	4/2015	Zieman .....	D10/65
9,494,405	B1	11/2016	Daley et al.	
9,494,406	B1	11/2016	Daley et al.	
D893,326	S *	8/2020	Tang .....	D10/71
2009/0085268	A1 *	4/2009	Ozeki .....	D05B 91/06 269/48
2014/0190024	A1 *	7/2014	Zhang .....	G01B 3/205 33/18.1

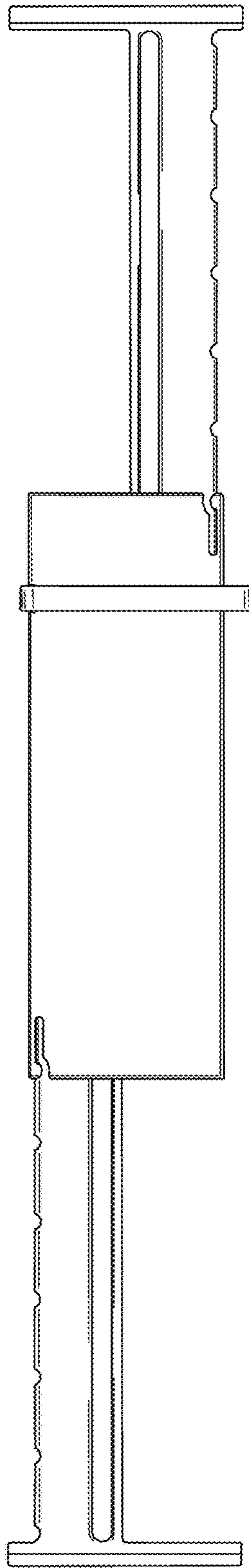
\* cited by examiner



**Fig. 1**



**Fig. 2**

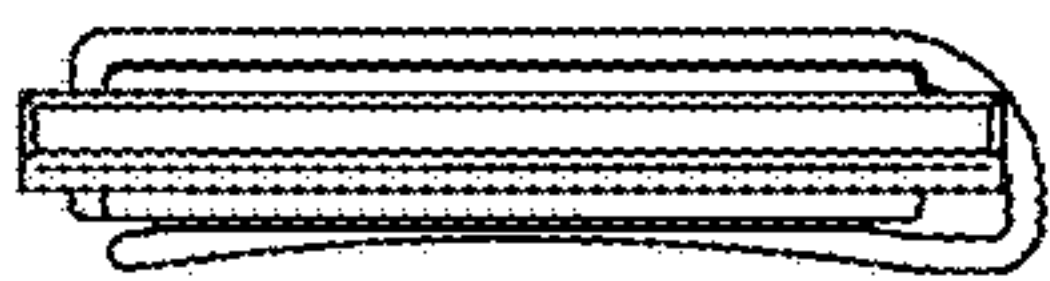


**Fig. 3**

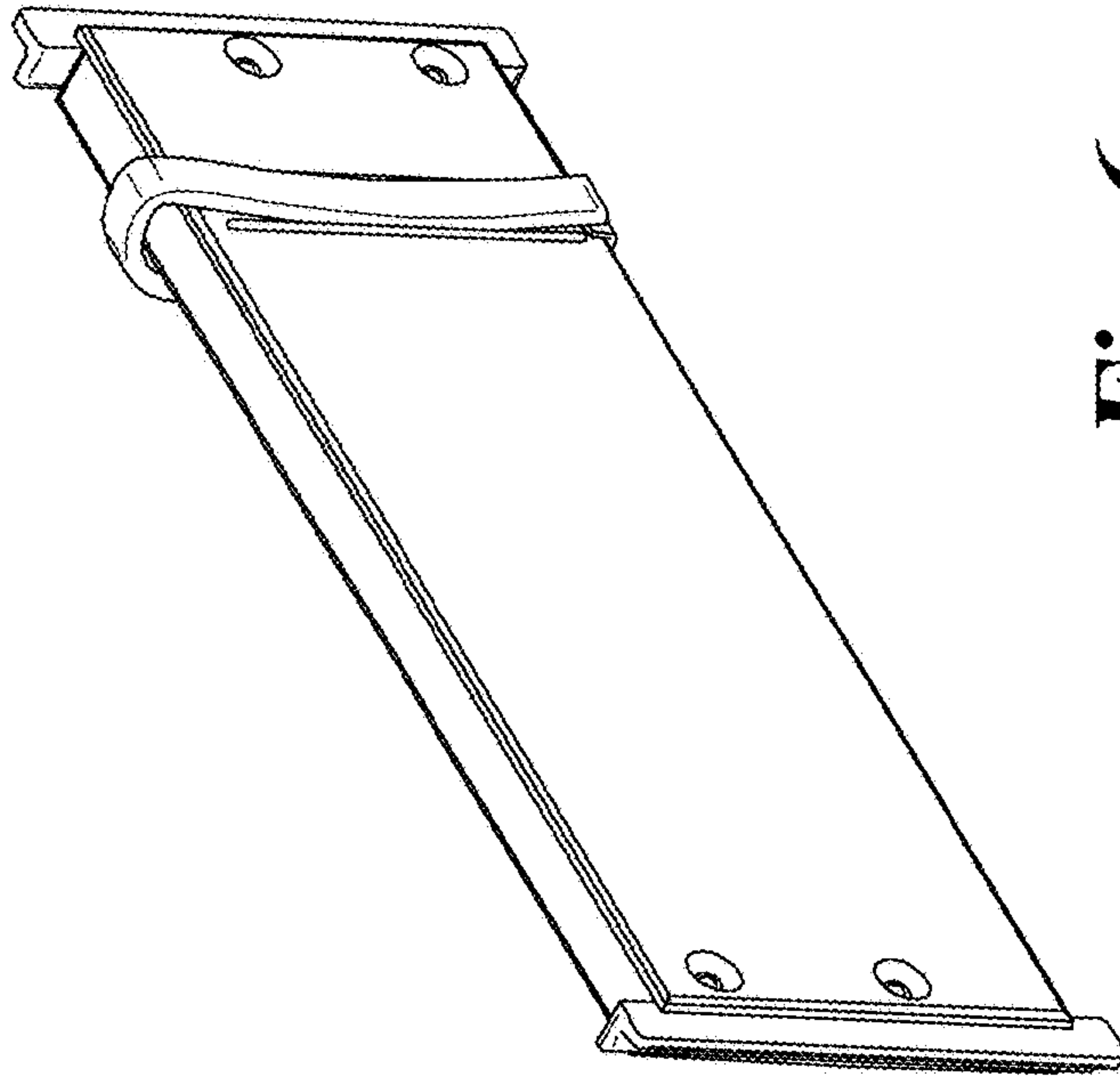


**Fig. 4**

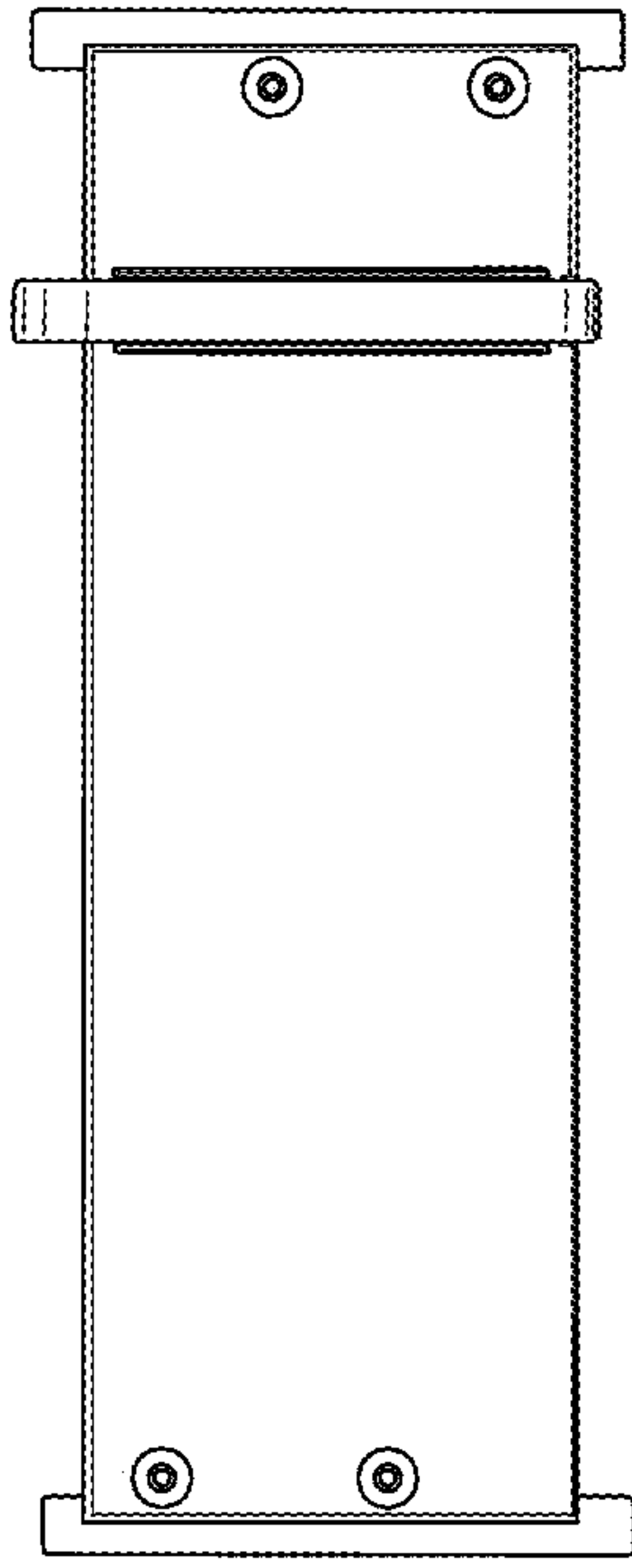




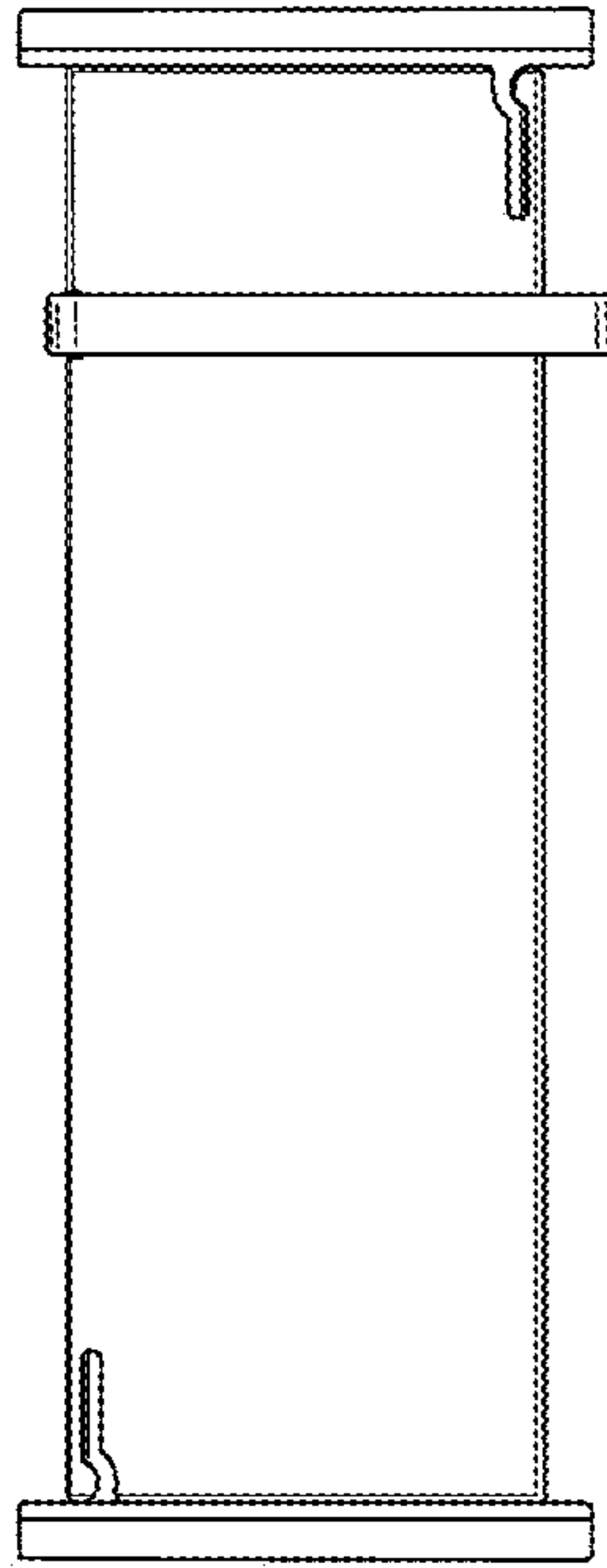
**Fig. 5**



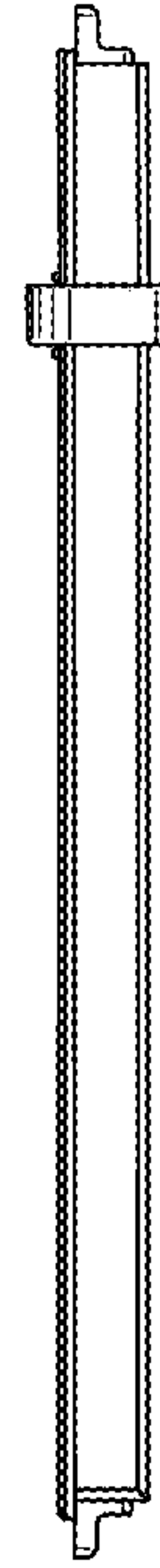
**Fig. 6**



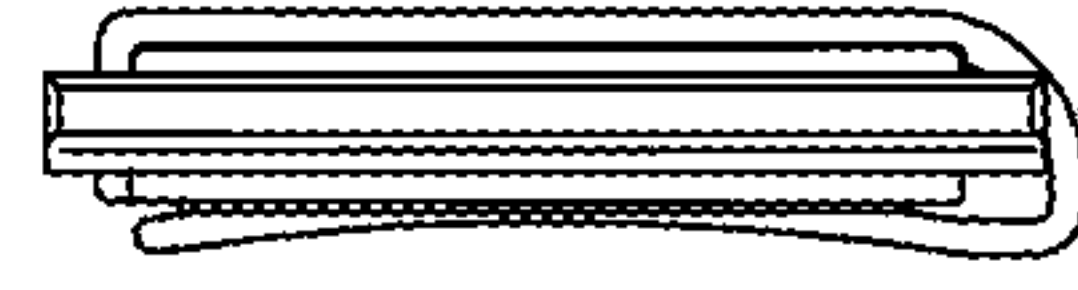
**Fig. 7**



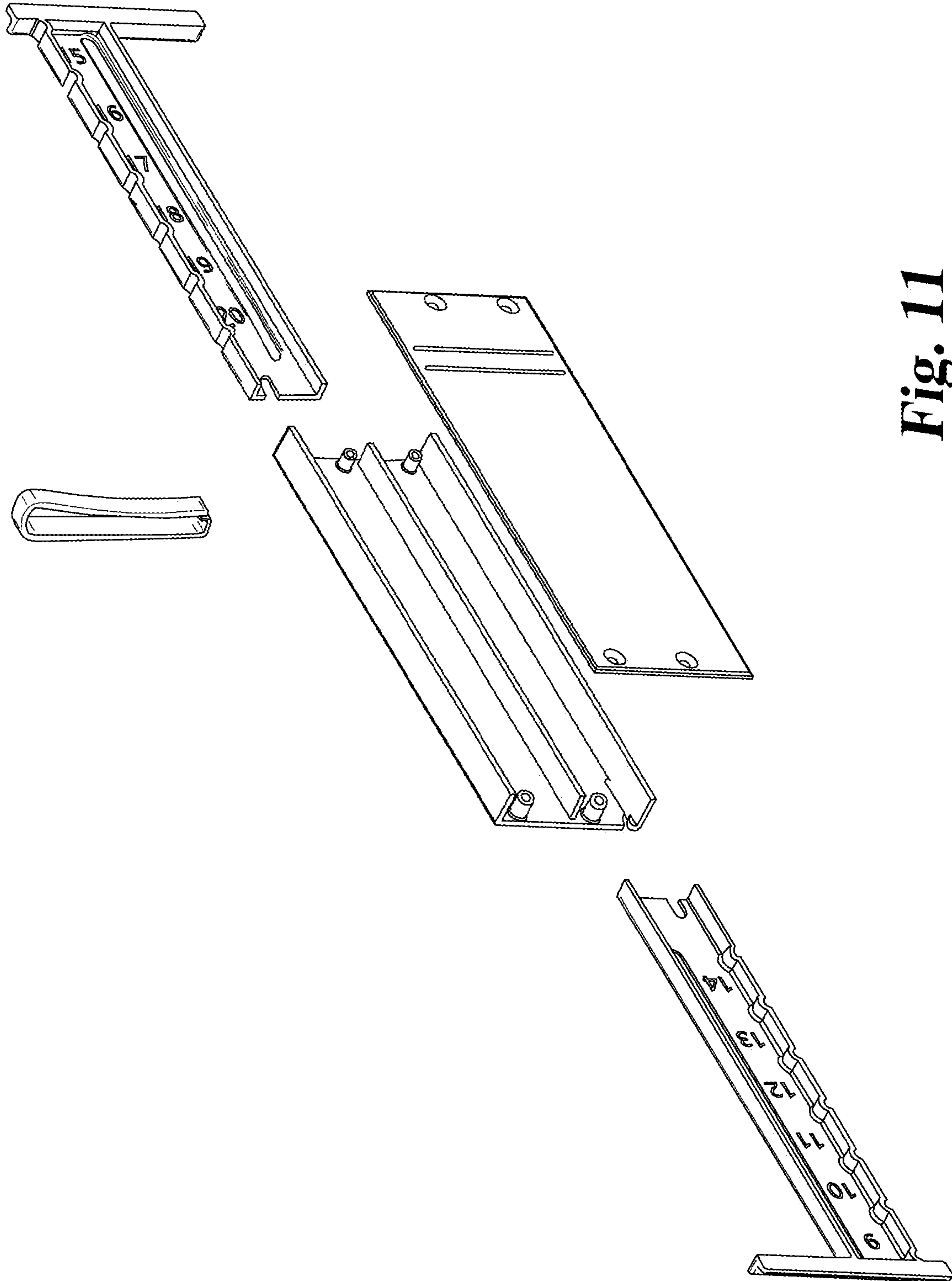
**Fig. 8**



**Fig. 9**



**Fig. 10**



**Fig. 11**