



US00D949720S

(12) **United States Design Patent** (10) **Patent No.:** **US D949,720 S**
Matsumoto et al. (45) **Date of Patent:** **** Apr. 26, 2022**

(54) **WEARABLE DEVICE WITH A BAND**

(71) Applicant: **Amazon Technologies, Inc.**, Seattle, WA (US)

(72) Inventors: **Ippei Matsumoto**, Daly City, CA (US); **Bernhard Wildner**, San Francisco, CA (US)

(73) Assignee: **Amazon Technologies, Inc.**, Seattle, WA (US)

(**) Term: **15 Years**

(21) Appl. No.: **29/702,420**

(22) Filed: **Aug. 19, 2019**

(51) **LOC (13) Cl.** **10-04**

(52) **U.S. Cl.**

USPC **D10/70**; D10/38; D10/78; D10/97; D10/98; D14/341; D14/344; D24/167; D24/186

(58) **Field of Classification Search**

USPC D10/38, 39, 70, 78, 97, 98; D11/3; D14/203.3, 203.5, 341, 344; D24/167, D24/168, 186

CPC A41D 1/02; A44C 5/0015; A44C 5/02; A44C 5/14; A61B 19/44; A61B 2019/446; A61B 71/00; A61B 5/02416; A61B 5/1118; A61B 2/721; A61B 5/002; A61B 5/112; A61B 5/1122; A61B 5/746; A61B 5/6823; A61B 5/72; A61B 5/7445; A61B 5/0022; A61B 5/14532; A61B 5/681; A61B 5/6824; A61B 5/6825; A61B 5/6826; A63B 71/06; A63B 26/00; A63B 24/0075; A63B 2071/0663; A63B 71/0686; A63B 24/0062; A63B 24/0085; A63B 2024/0068; A63B 2024/0078; A63B 2024/0056; A63B 2071/0625; A63B 2071/003; A63B 2071/063; A63B 2071/065; A63B 2071/068; A63B 2071/0675; A63B 2220/40; A63B 2220/803; A63B 2220/12; A63B 2220/20; A63B 2220/22; A63B 2220/30; A63B

2225/50; A63B 2225/02; A63B 2225/06; A63B 2230/75; A63B 2024/0065; A63B 2024/0081; A63B 2220/51; A63B 2220/62; A63B 2220/836; A63B 24/00–2024/0096; A63B 2213/00; (Continued)

(56) **References Cited**

U.S. PATENT DOCUMENTS

D541,275 S 4/2007 Lai
D556,194 S 11/2007 Rambosek et al.
(Continued)

OTHER PUBLICATIONS

Chinese Notice for Amendment dated May 26, 2020 for Chinese Patent Application No. 202030052897.9, a counterpart of U.S. Appl. No. 29/702,420, 1 pages.

(Continued)

Primary Examiner — Antoine Duval Davis

(74) *Attorney, Agent, or Firm* — Lee & Hayes, P.C.

(57) **CLAIM**

The ornamental design for a wearable device with a band, as shown and described.

DESCRIPTION

FIG. 1 is a front, left perspective view of a wearable device with a band;

FIG. 2 is a back, left perspective view thereof;

FIG. 3 is a right-side view thereof;

FIG. 4 is a left-side view thereof;

FIG. 5 is a top view thereof;

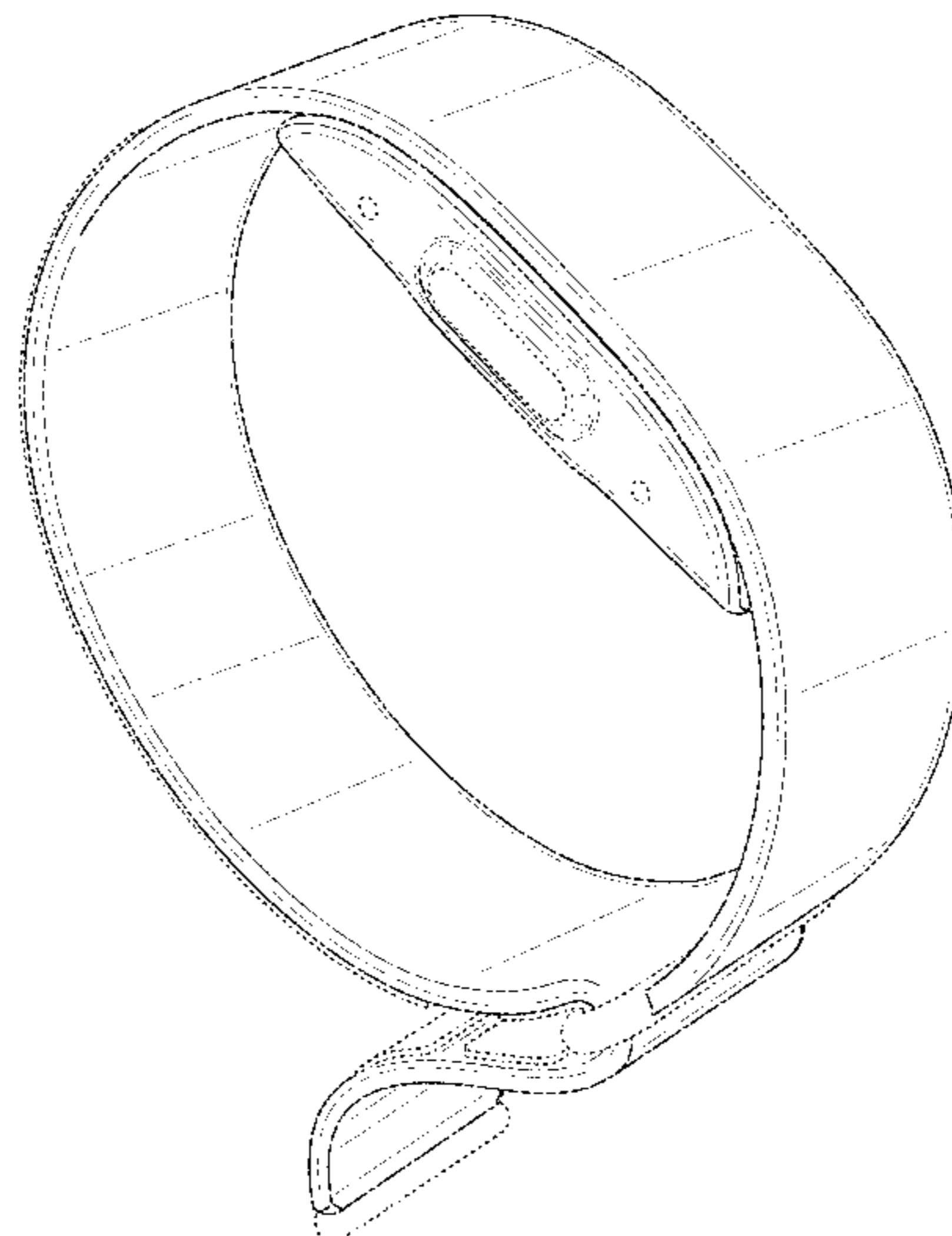
FIG. 6 is a bottom view thereof;

FIG. 7 is a front view thereof; and,

FIG. 8 is a back view thereof.

The dashed broken lines depict portions of the wearable device with the band that form no part of the claimed design.

1 Claim, 8 Drawing Sheets



(58) **Field of Classification Search**

CPC A63B 69/0028; A63B
 2071/0658–2071/0666; A63B
 2220/00–2220/89; G09F 3/005; G06F
 1/163; G06F 3/038; G06F 3/03547; G06F
 19/3481; G06F 3/00–3/027; G04G 17/00;
 G04G 17/08; G04G 17/04; G04G 21/02;
 G04G 21/00; G04G 21/08; G04B
 37/1486; G04B 19/00–19/34; G04B
 21/12; G04B 23/12; G04B 37/00–37/228;
 G04B 47/00–47/068; G06Q 10/00; G06Q
 50/00; G09B 9/00; G09B 19/00; G04F
 10/00; G01C 17/00; G01C
 21/00–21/3697; G01C 22/00–22/025;
 G01C 23/00–23/005; G01C 21/16; G01P
 1/00–1/126; G01P 15/00–15/18; A63C
 11/02

See application file for complete search history.

(56) **References Cited**

U.S. PATENT DOCUMENTS

D711,002 S * 8/2014 Ohnemus D24/186
 D715,665 S 10/2014 Park et al.
 D715,668 S * 10/2014 Roush D10/70
 D720,248 S * 12/2014 Law D11/3
 D724,453 S * 3/2015 Ogihara D10/70
 D725,072 S 3/2015 Kim et al.
 D725,510 S * 3/2015 Henning D10/70
 D726,052 S 4/2015 Henning
 D737,699 S * 9/2015 Chang D10/39

D746,477 S * 12/2015 Cha D24/186
 D747,714 S * 1/2016 Erbeus D10/32
 D757,583 S * 5/2016 Roush D10/70
 D759,622 S * 6/2016 Dahlberg D10/32
 D768,858 S * 10/2016 Komulainen D24/167
 D787,960 S 5/2017 Park et al.
 D796,045 S * 8/2017 Henning G06Q 30/0645
 D14/344
 D805,413 S * 12/2017 Chen D10/70
 D808,962 S * 1/2018 Wu D14/344
 D812,608 S * 3/2018 Jones D14/344
 D817,784 S * 5/2018 Swenson D10/32
 D818,855 S 5/2018 Tooze
 D820,124 S * 6/2018 Mouradian D10/70
 D824,899 S * 8/2018 Yang D14/344
 D826,763 S * 8/2018 Chuang D11/3
 D831,643 S * 10/2018 Son D14/344
 D838,194 S * 1/2019 Mays D10/70
 D860,989 S 9/2019 Choplin et al.
 D863,297 S 10/2019 Ke
 D865,761 S 11/2019 Choplin et al.
 D878,365 S 3/2020 Choplin et al.
 D887,405 S 6/2020 Kozlovskaya et al.
 D918,899 S * 5/2021 Zhu D14/344
 D931,276 S * 9/2021 Yi D14/344
 D931,852 S * 9/2021 Zheng D14/344
 D933,649 S * 10/2021 Yu D14/344

OTHER PUBLICATIONS

Chinese Notice for Amendment dated May 26, 2020 for Chinese Patent Application No. 202030053542.1, a counterpart of U.S. Appl. No. 29/702,426, 1 pages.

* cited by examiner

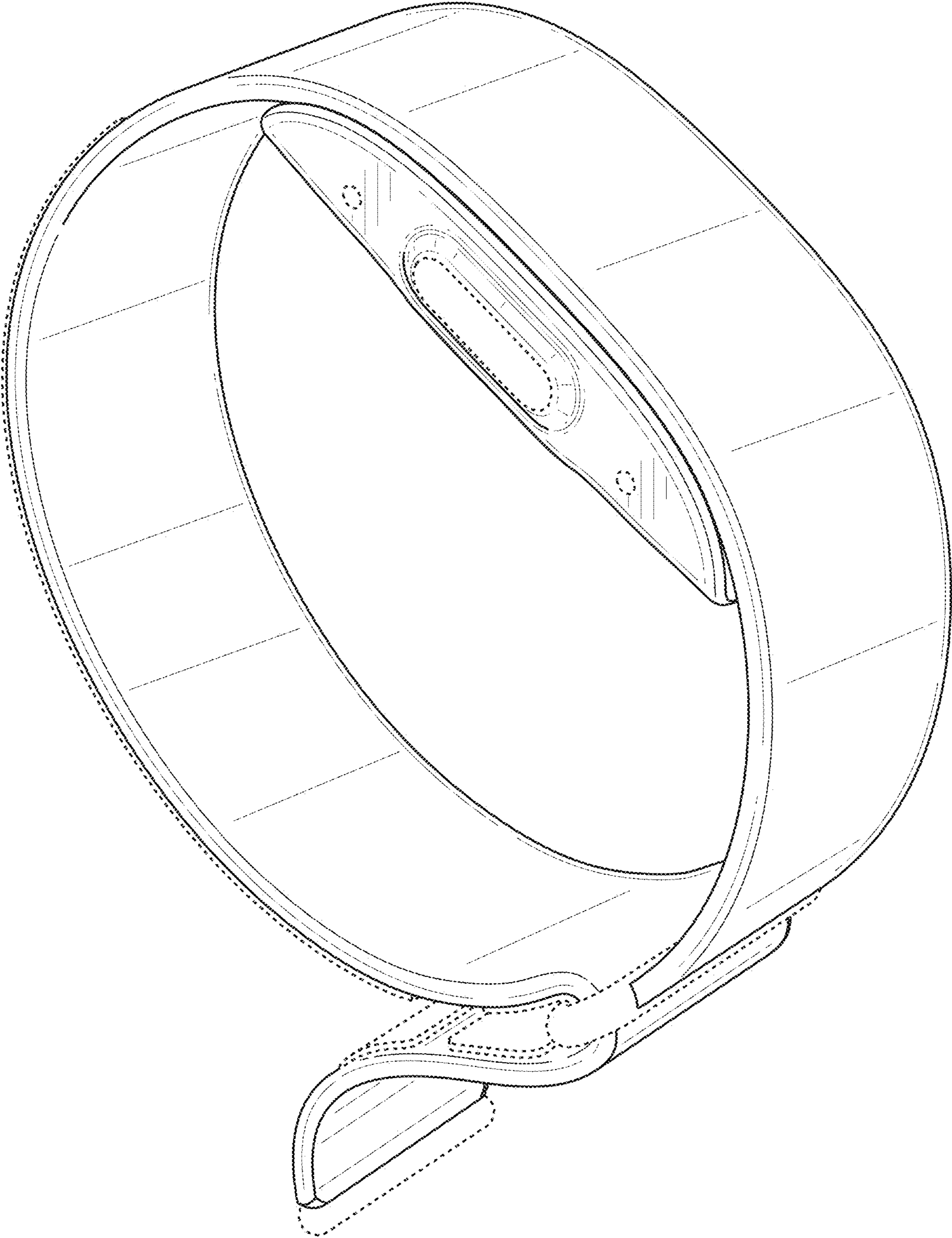


FIG. 1

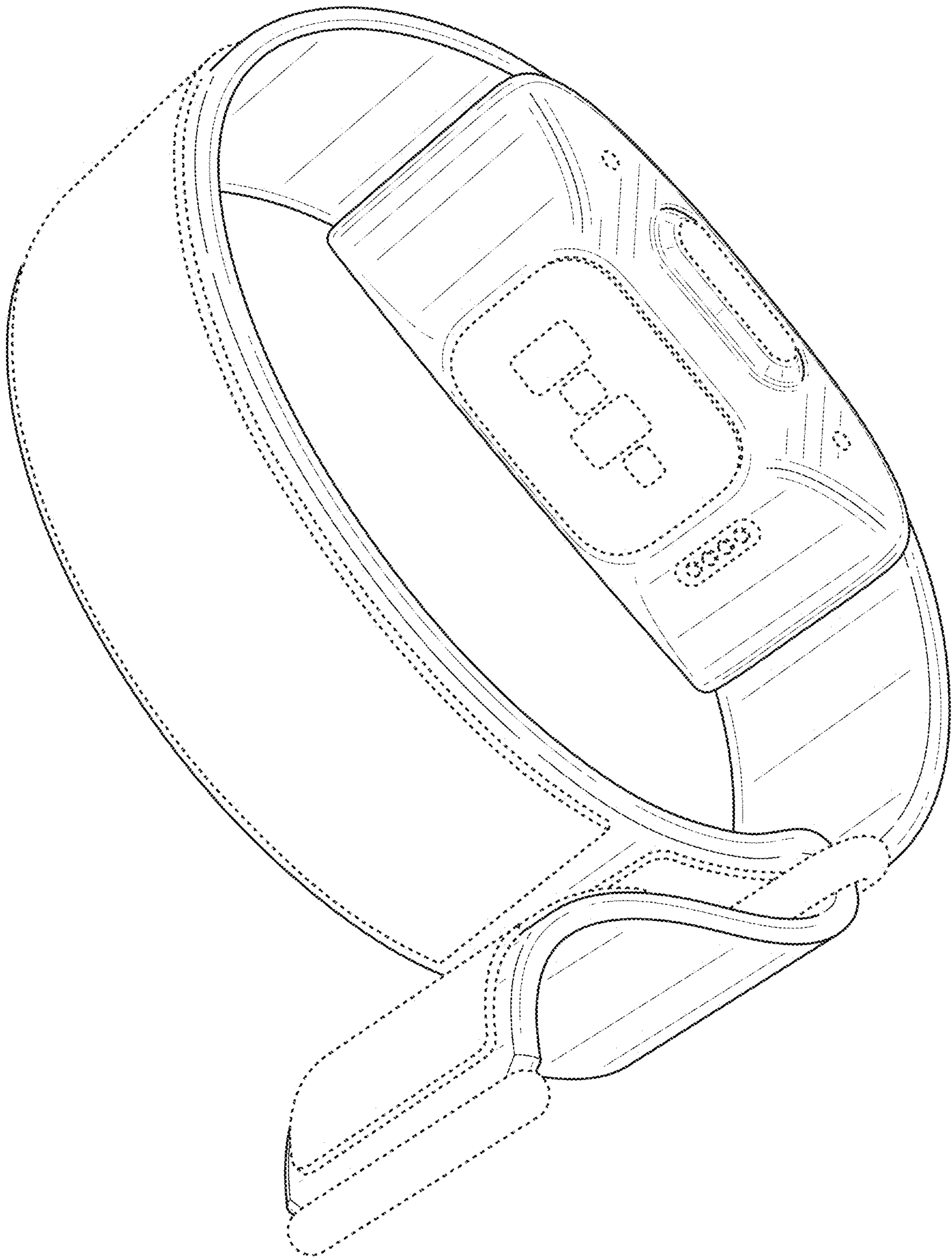


FIG. 2

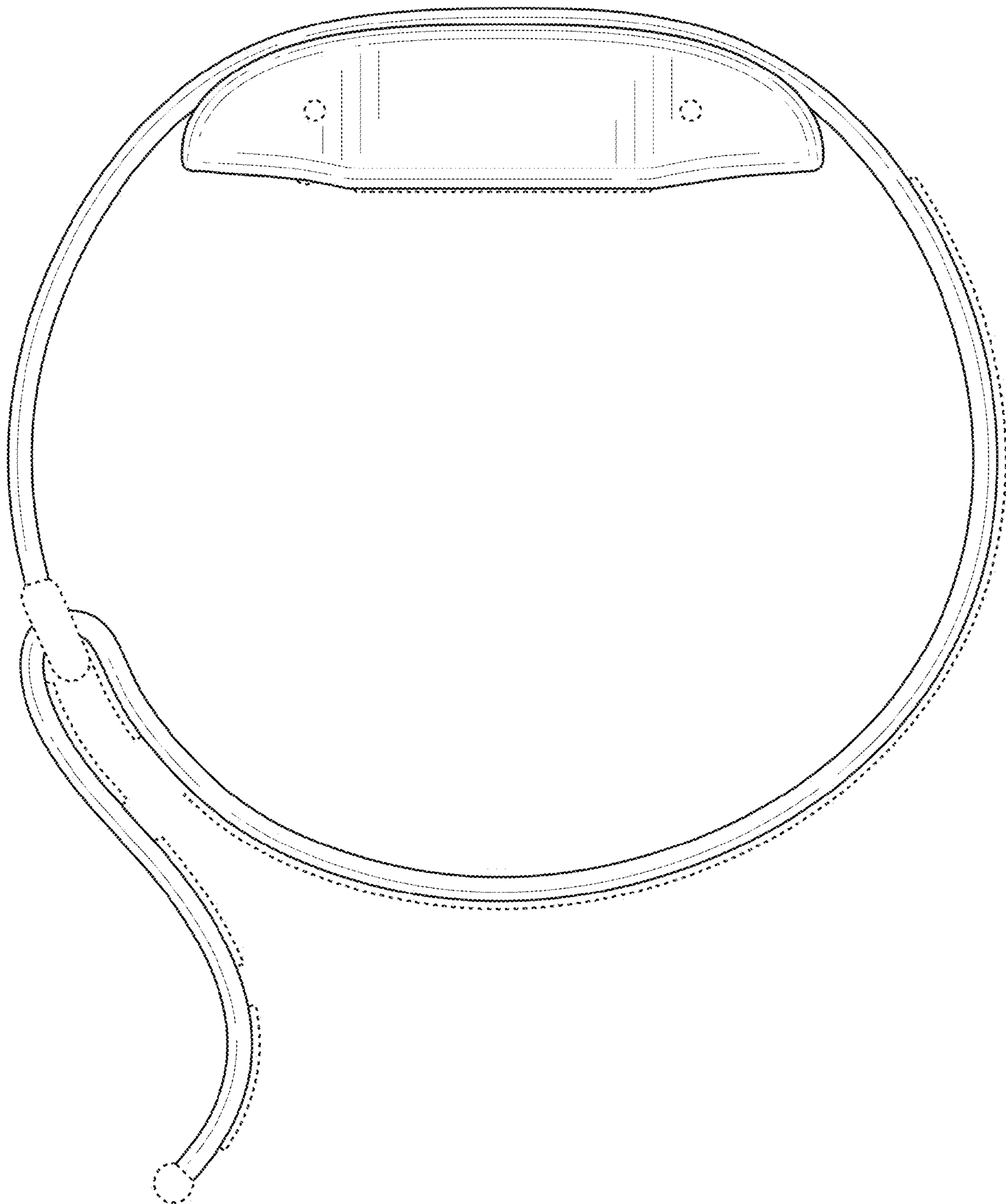


FIG. 3

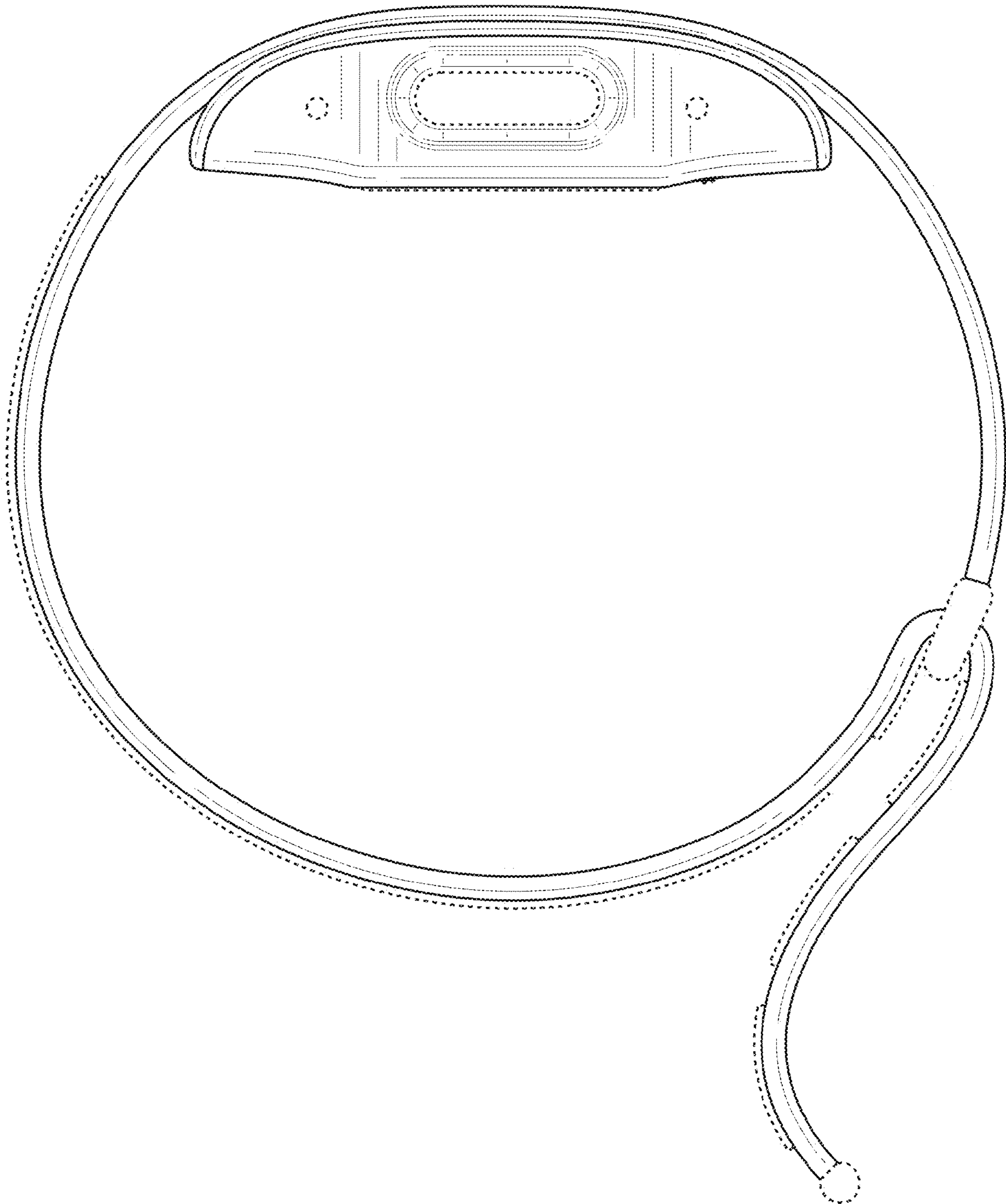


FIG. 4

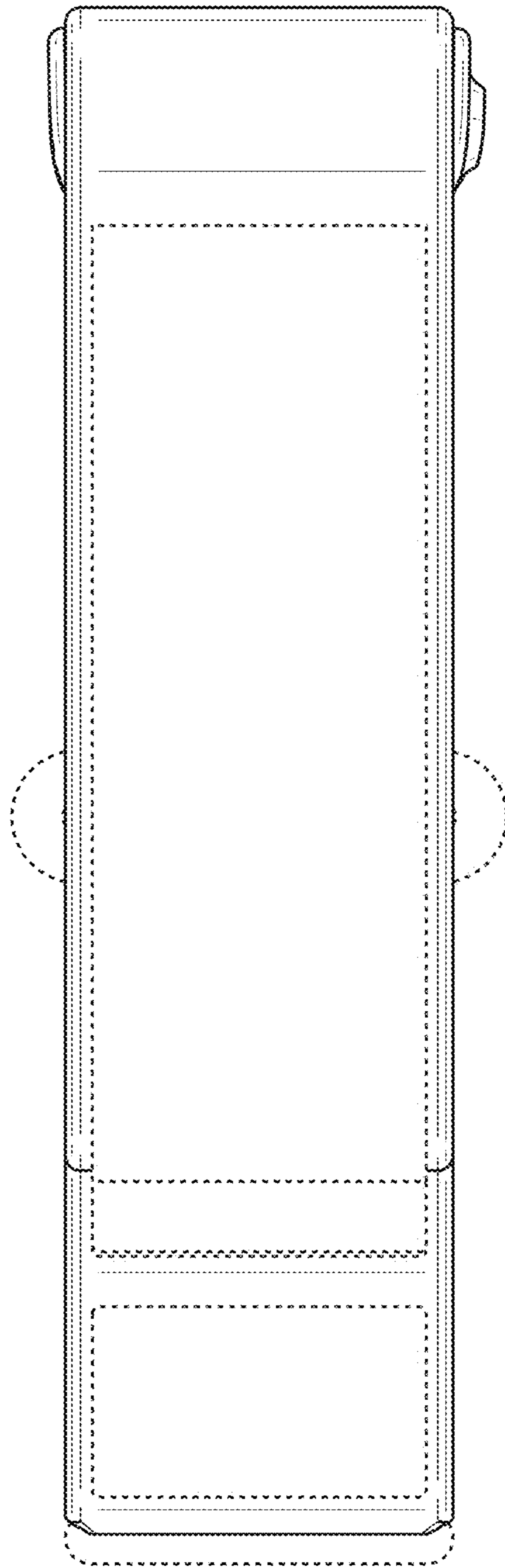


FIG. 5

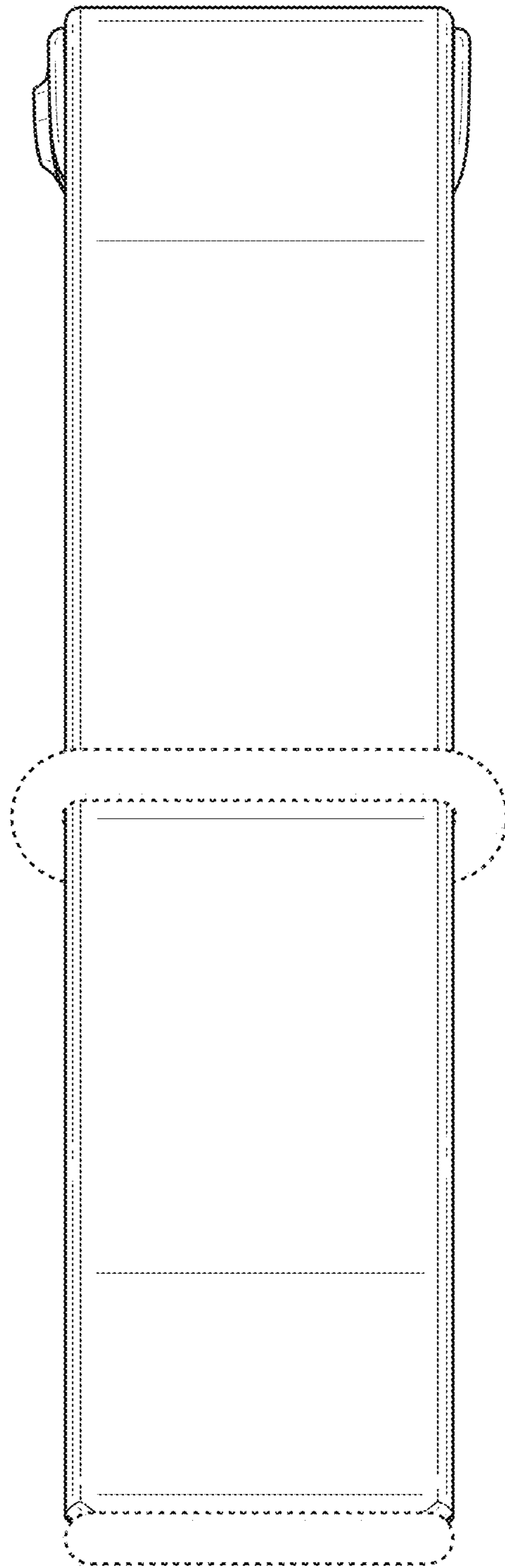


FIG. 6

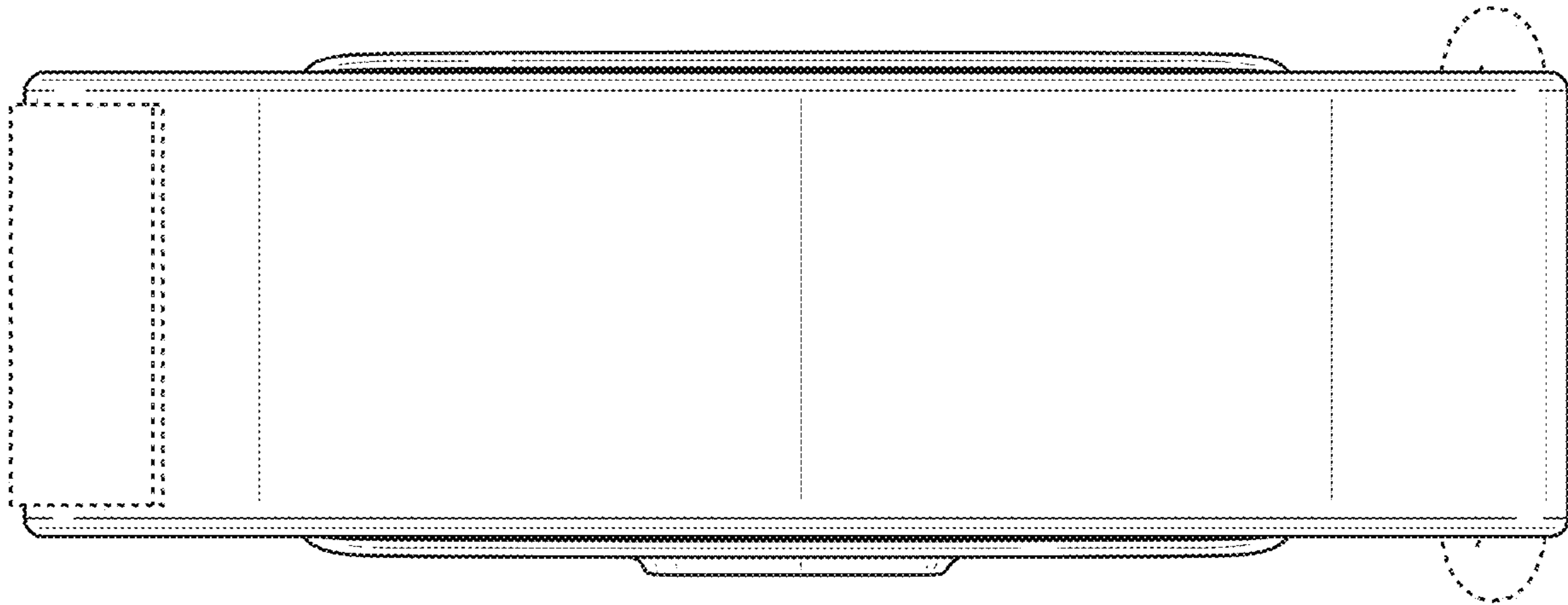


FIG. 7

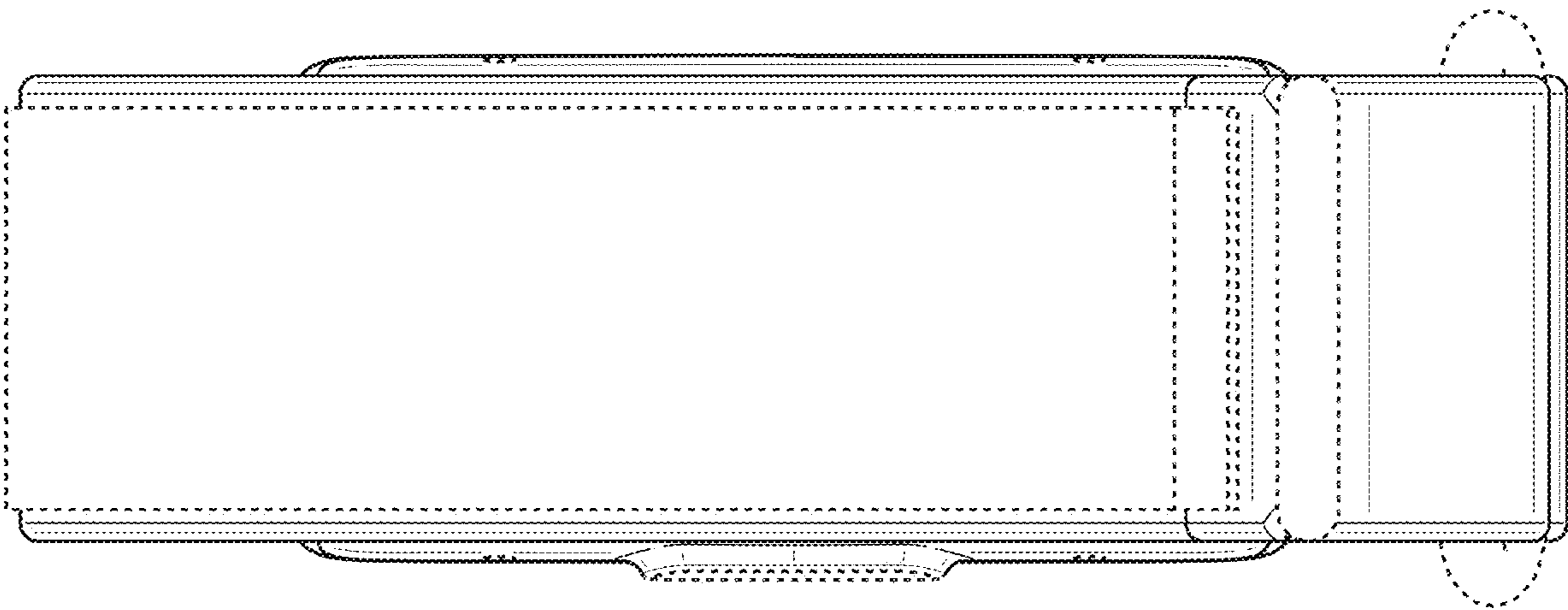


FIG. 8