



US00D949717S

(12) **United States Design Patent**
Hu

(10) **Patent No.:** **US D949,717 S**
(45) **Date of Patent:** **** Apr. 26, 2022**

- (54) **FOOD THERMOMETER**
- (71) Applicant: **Shenzhen Delamu Network Technology Co., Ltd., Guangdong (CN)**
- (72) Inventor: **Kai Hu, Guangdong (CN)**
- (**) Term: **15 Years**
- (21) Appl. No.: **29/778,164**
- (22) Filed: **Apr. 12, 2021**
- (51) **LOC (13) Cl.** **10-04**
- (52) **U.S. Cl.**
USPC **D10/57**
- (58) **Field of Classification Search**
USPC D10/57
CPC G01K 2207/02; G01K 2207/04; G01K 2207/06; G01K 2207/08
See application file for complete search history.

D904,907 S *	12/2020	Peng	D10/57
D910,468 S *	2/2021	Liu	D10/57
D916,606 S *	4/2021	Ying	D10/57
D917,314 S *	4/2021	Wu	D10/57
D918,066 S *	5/2021	Tang	D10/57
D919,457 S *	5/2021	Dai	D10/57
D919,458 S *	5/2021	Dai	D10/57
D920,141 S *	5/2021	Zhou	D10/57
D929,878 S *	9/2021	Huang	G01K 1/08 D10/57

* cited by examiner

Primary Examiner — Antoine Duval Davis

(57) **CLAIM**

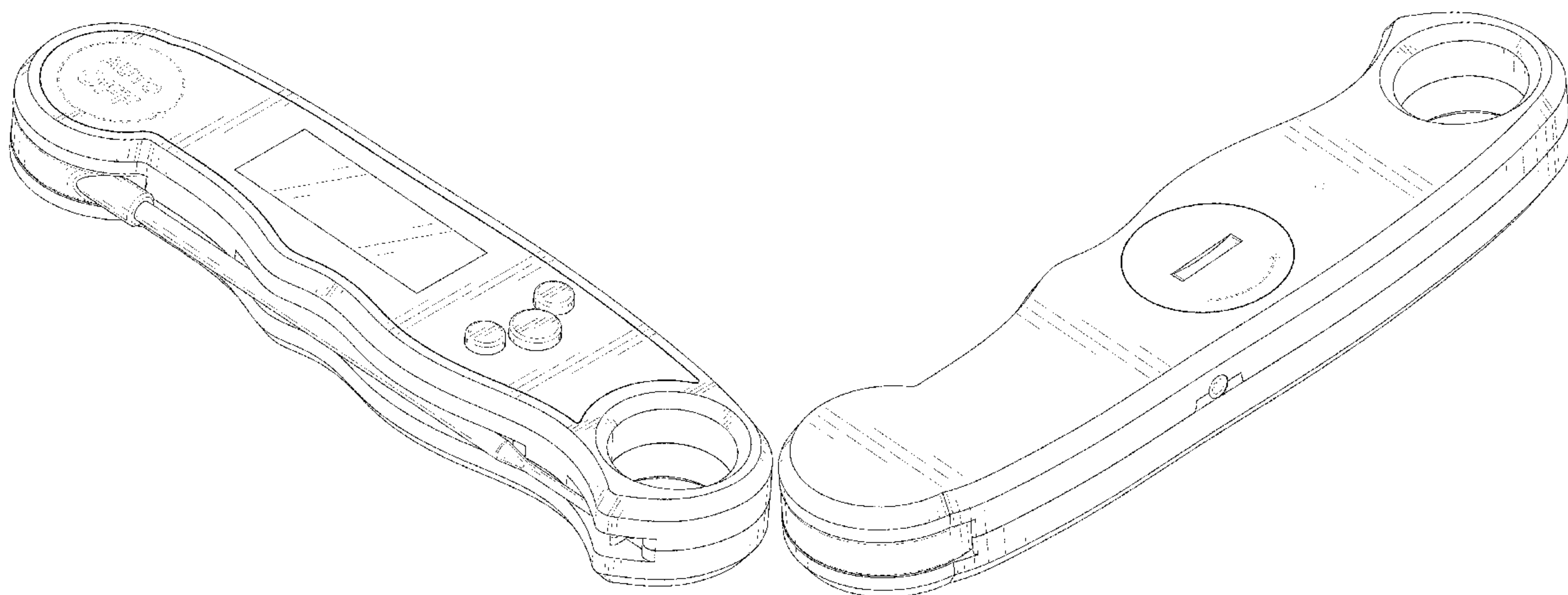
The ornamental design for a food thermometer, as shown and described.

DESCRIPTION

FIG. 1 is a front and top perspective view of a food thermometer, showing my new design;
 FIG. 2 is a rear and bottom perspective view thereof;
 FIG. 3 is a front elevation view thereof;
 FIG. 4 is a rear elevation view thereof;
 FIG. 5 is a left side elevation view thereof;
 FIG. 6 is a right side elevation view thereof;
 FIG. 7 is a top plan view thereof;
 FIG. 8 is a bottom plan view thereof; and,
 FIG. 9 is another perspective view thereof, shown in an alternative position.
 The broken lines in the figures illustrate portions of the food thermometer that form no part of the claimed design.

1 Claim, 9 Drawing Sheets

- (56) **References Cited**
U.S. PATENT DOCUMENTS
- D837,668 S * 1/2019 Zou D10/57
- D852,653 S * 7/2019 Zou D10/57
- D852,654 S * 7/2019 Zou D10/57
- D853,253 S * 7/2019 Zuo D10/57
- D858,320 S * 9/2019 Wang D10/57
- D860,831 S * 9/2019 Zou D10/57
- D863,991 S * 10/2019 Ho D10/57
- D871,934 S * 1/2020 Wu D10/57
- 10,620,055 B2 * 4/2020 Keller G01K 1/08
- D884,496 S * 5/2020 Zhang D10/57
- D888,590 S * 6/2020 Wang D10/57
- D898,593 S * 10/2020 Peng D10/57



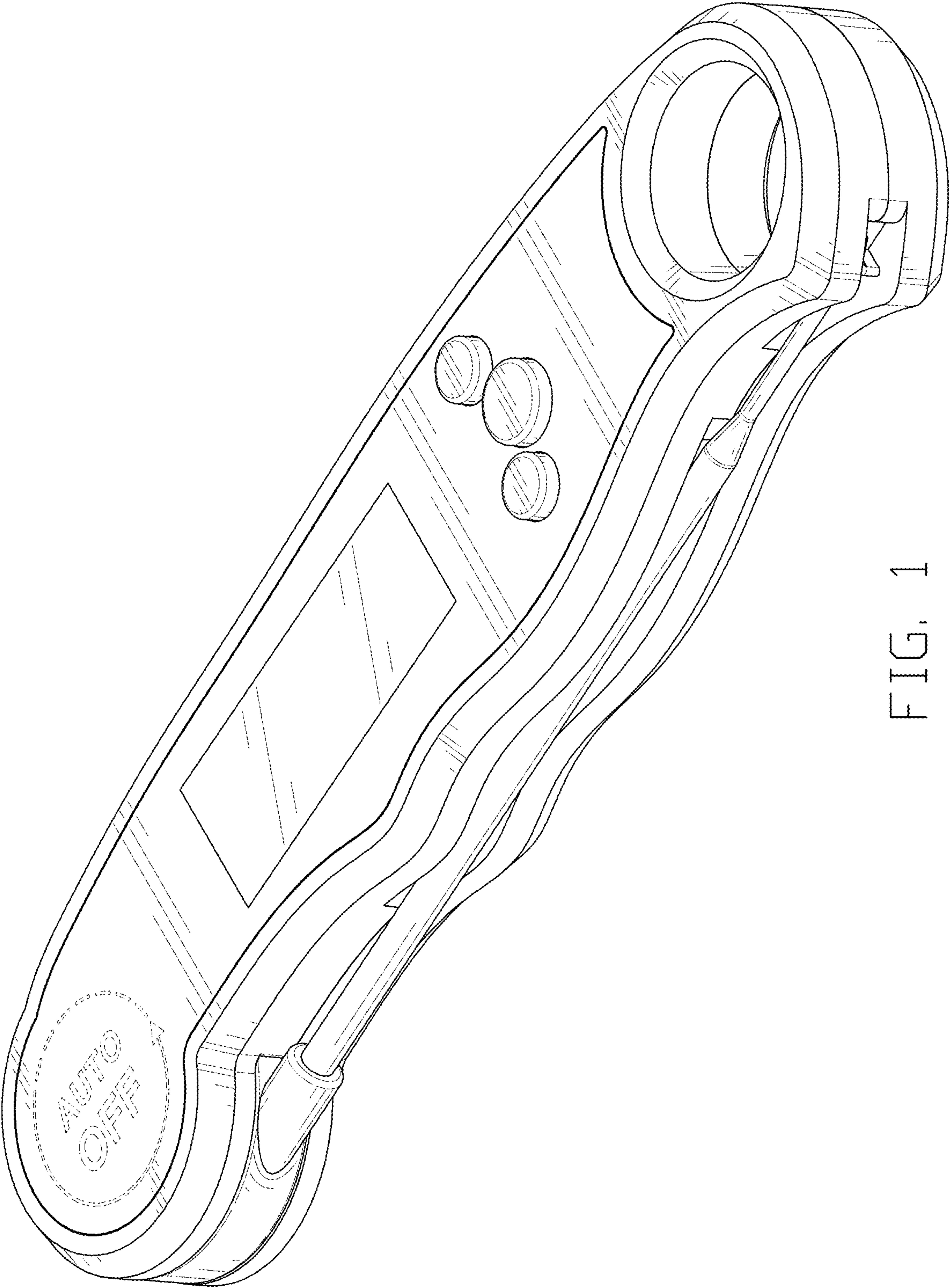


FIG. 1

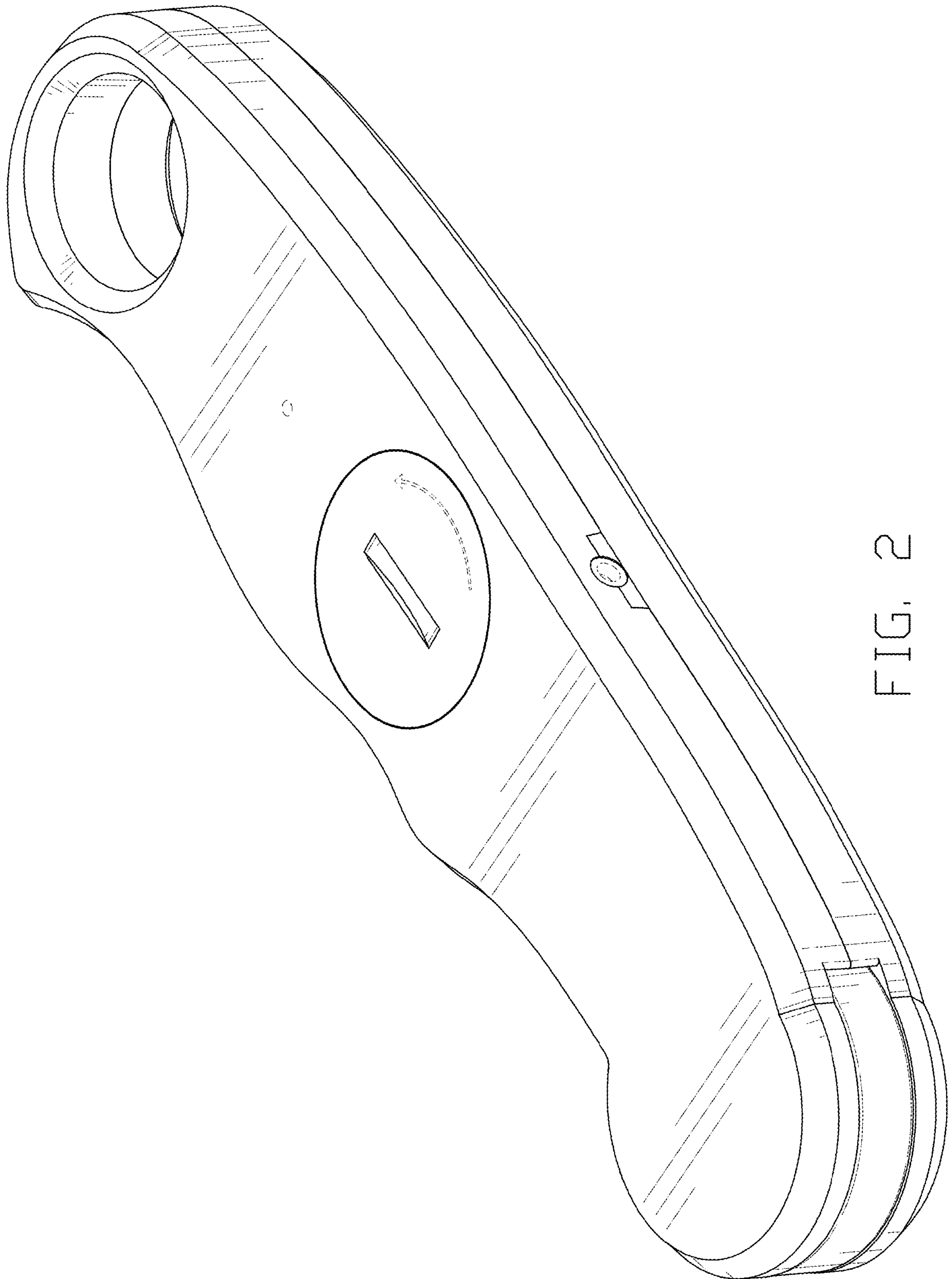


FIG. 2

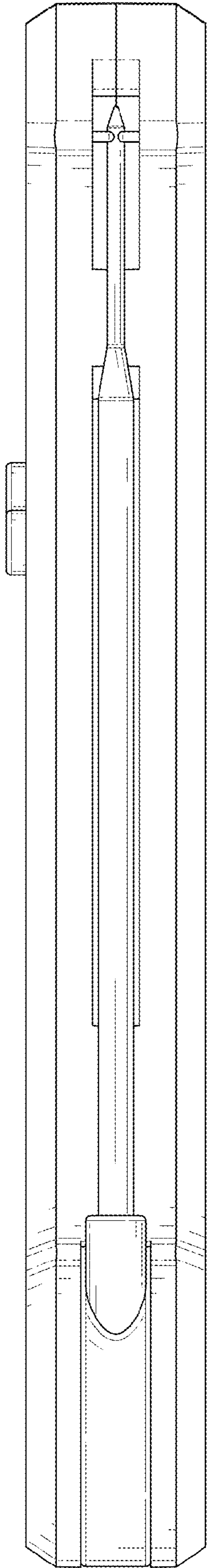


FIG. 3

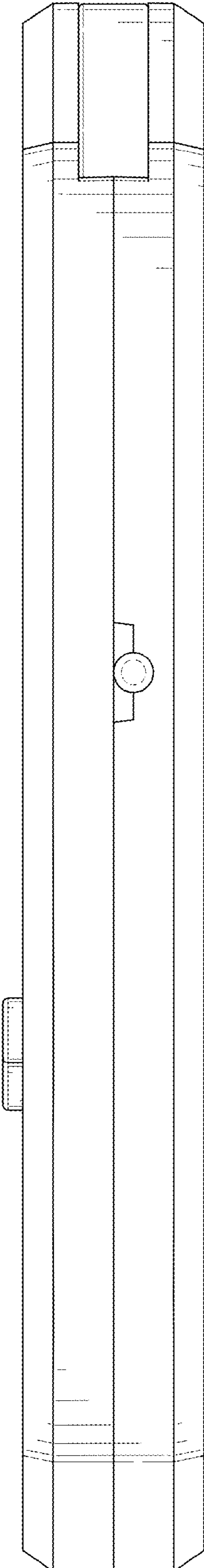


FIG. 4

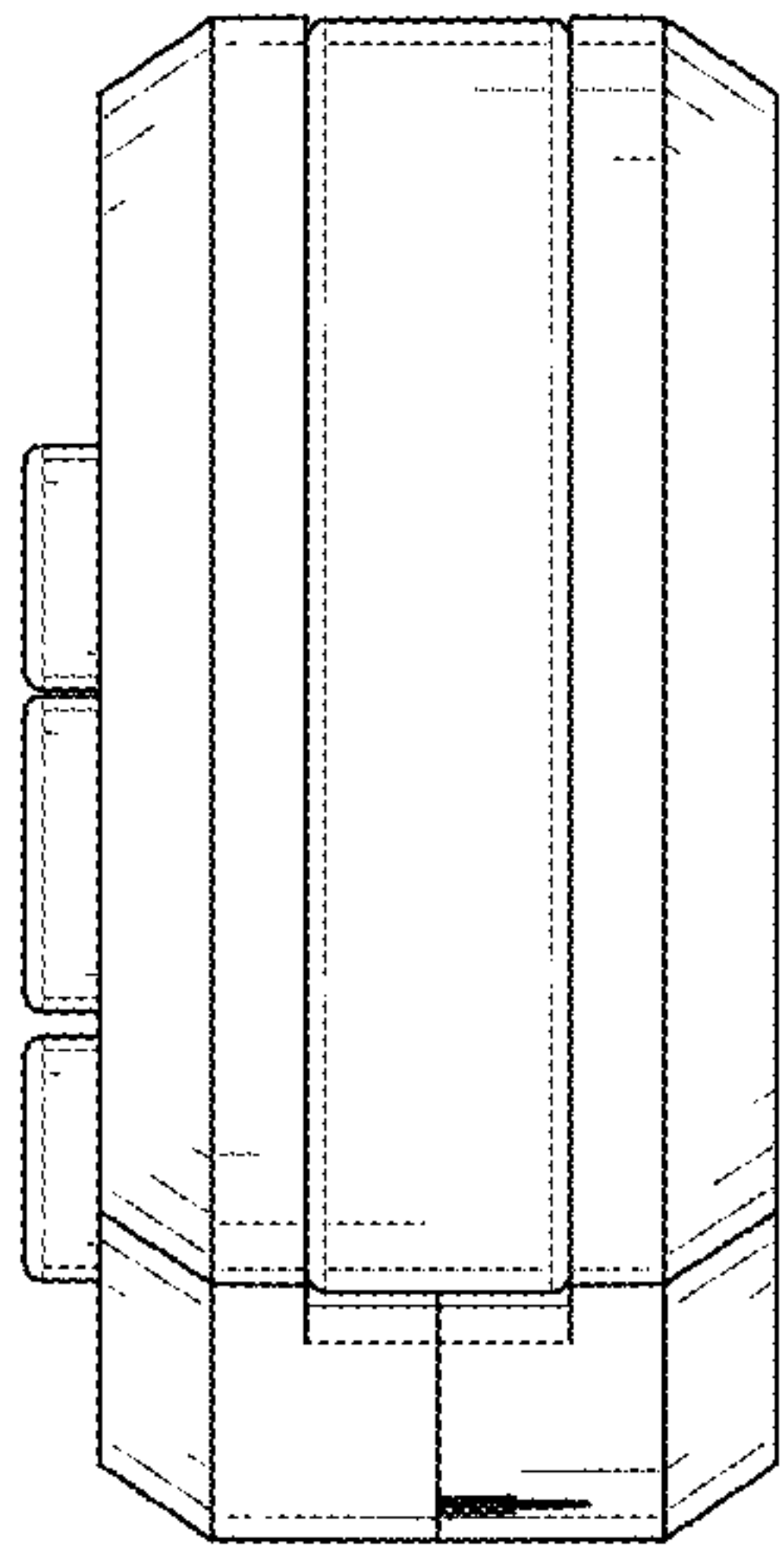


FIG. 5

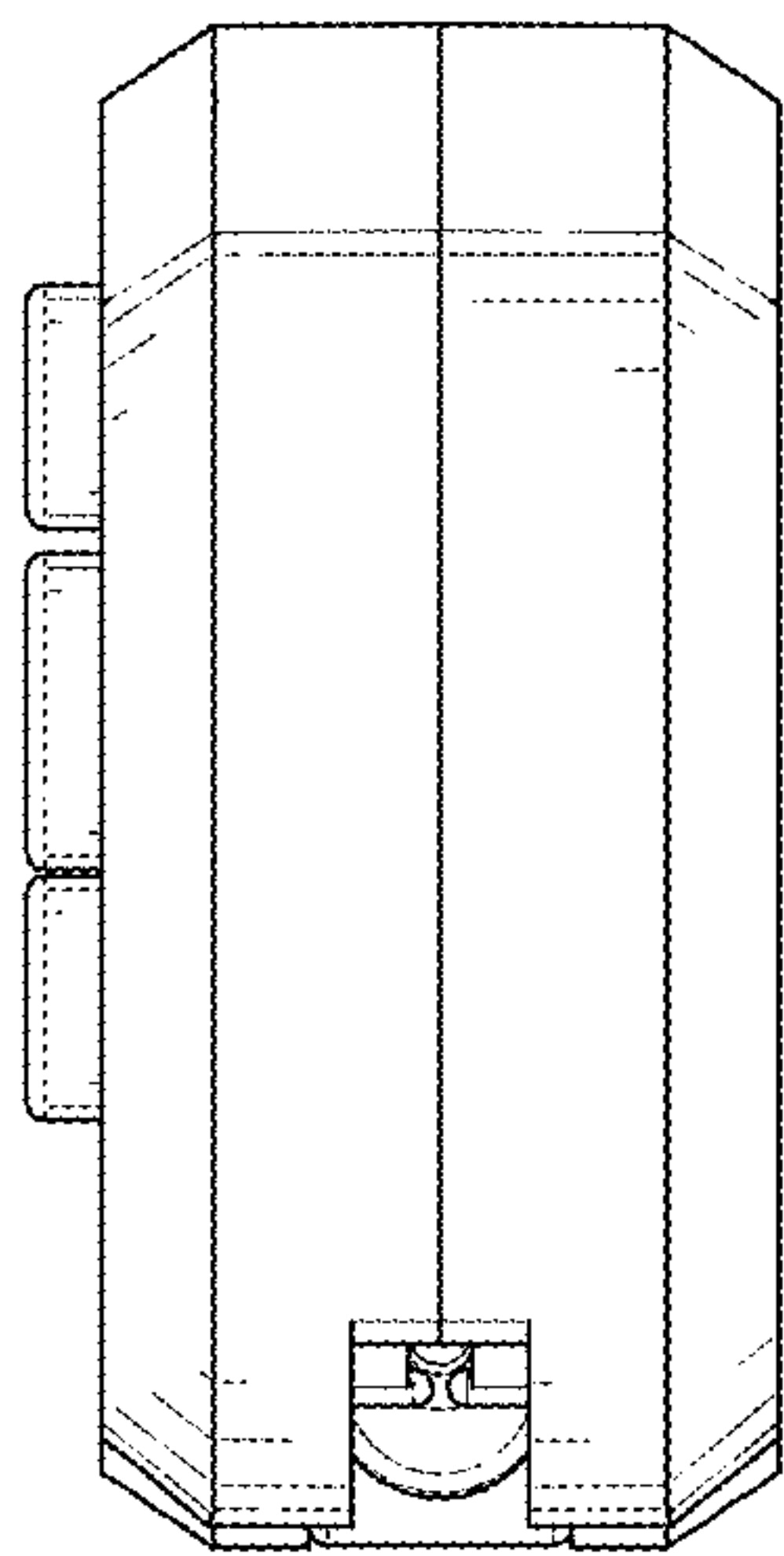


FIG. 6

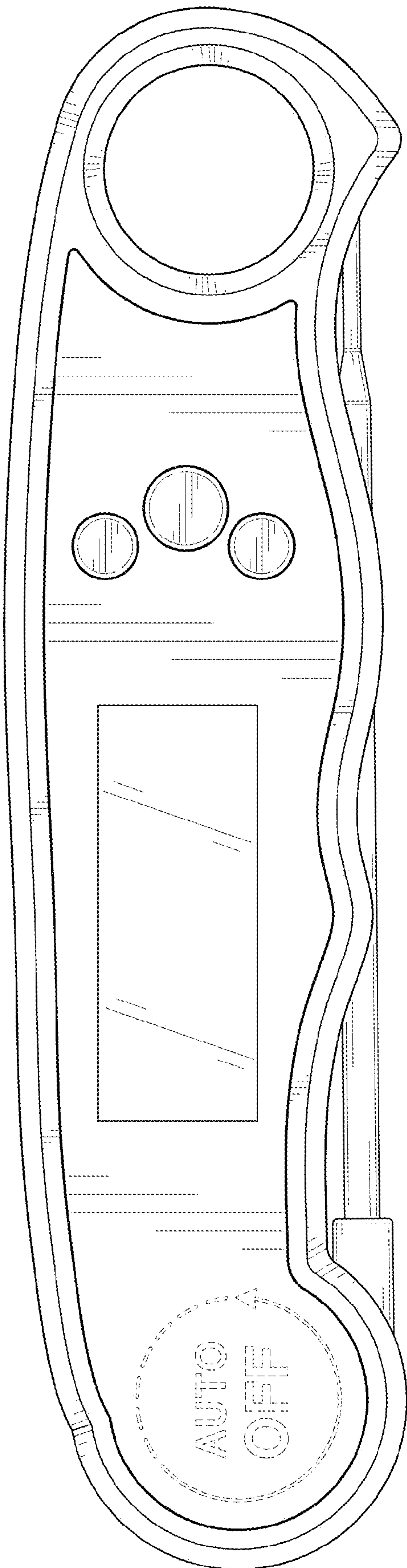


FIG. 7

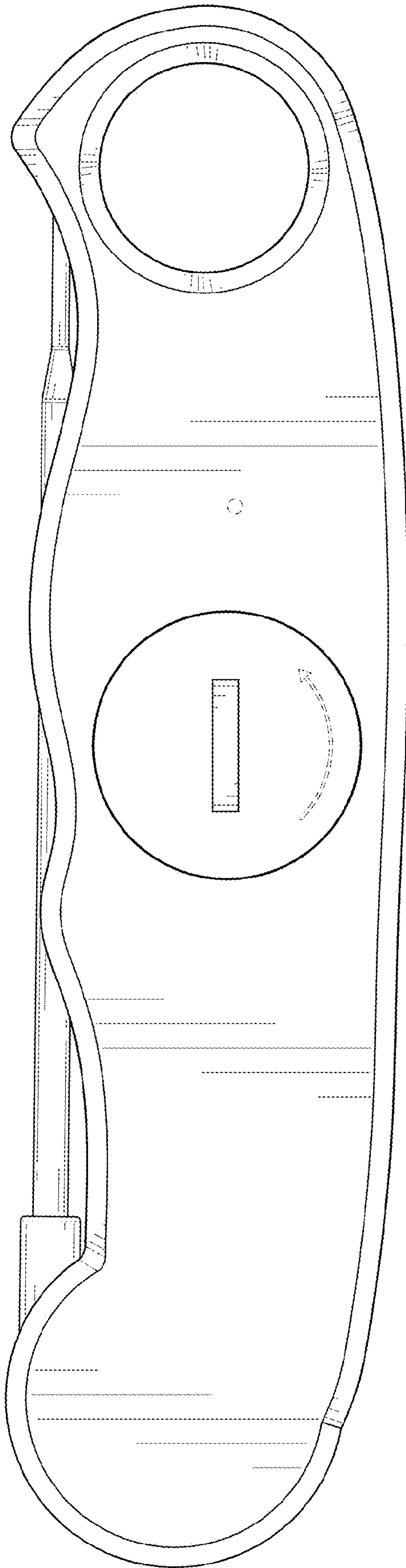


FIG. 8

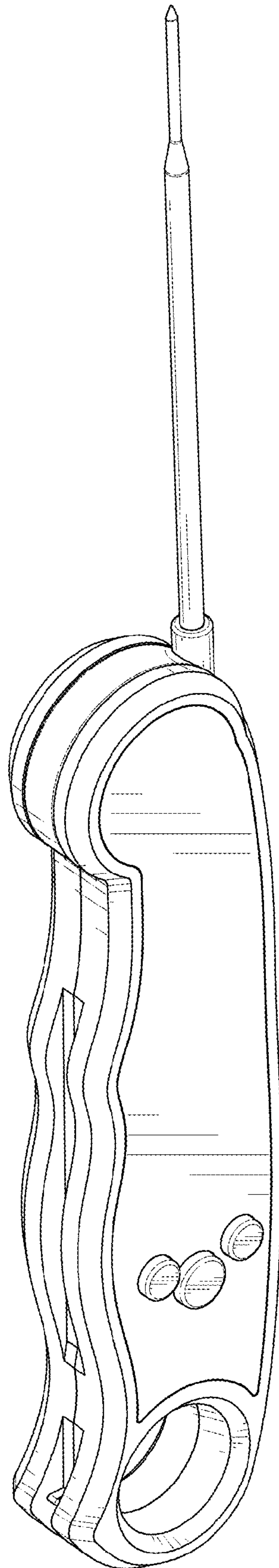


FIG. 9