



US00D949715S

(12) **United States Design Patent**
Tan

(10) **Patent No.:** **US D949,715 S**

(45) **Date of Patent:** **** Apr. 26, 2022**

(54) **ELECTRONIC NON-CONTACT INFRARED THERMOMETER X6**

(71) Applicant: **Shenzhen Emie Technology Co. Ltd,**
Shenzhen (CN)

(72) Inventor: **Jean Tan,** Shenzhen (CN)

(73) Assignee: **Shenzhen Emie Technology Co. Ltd,**
Shenzhen (CN)

(**) Term: **15 Years**

(21) Appl. No.: **29/734,133**

(22) Filed: **May 8, 2020**

(51) **LOC (13) Cl.** **10-04**

(52) **U.S. Cl.**
USPC **D10/57**

(58) **Field of Classification Search**
USPC D10/57

CPC G01K 1/02; G01K 1/022; G01K 1/024;
G01K 1/08; G01K 1/083; G01K 1/086;
G01K 3/00-3/14; G01K 2003/145; G01K
13/002; G01K 13/004; G01K 2219/00;
G01K 5/04-5/225; G01K 5/22; G01K
221/00; G01J 5/04; G01J 5/041; G01J
5/042; G01J 5/043; G01J 5/044; G01J
5/045; G01J 5/046; G01J 5/047; G01J
5/048; G01J 5/049; G01J 5/0265

See application file for complete search history.

(56) **References Cited**

U.S. PATENT DOCUMENTS

D583,262 S * 12/2008 Flandin D10/57
D583,263 S * 12/2008 Sebban D10/57

D791,624 S * 7/2017 Wong D10/57
D838,191 S * 1/2019 Yang D10/57
D848,868 S * 5/2019 Xiaohong D10/57
D863,993 S * 10/2019 Tang D10/57
D867,172 S * 11/2019 Zhuang D10/57
D932,324 S * 10/2021 Dai D10/57

* cited by examiner

Primary Examiner — Antoine Duval Davis

(74) *Attorney, Agent, or Firm* — ScienBiziP, P.C.

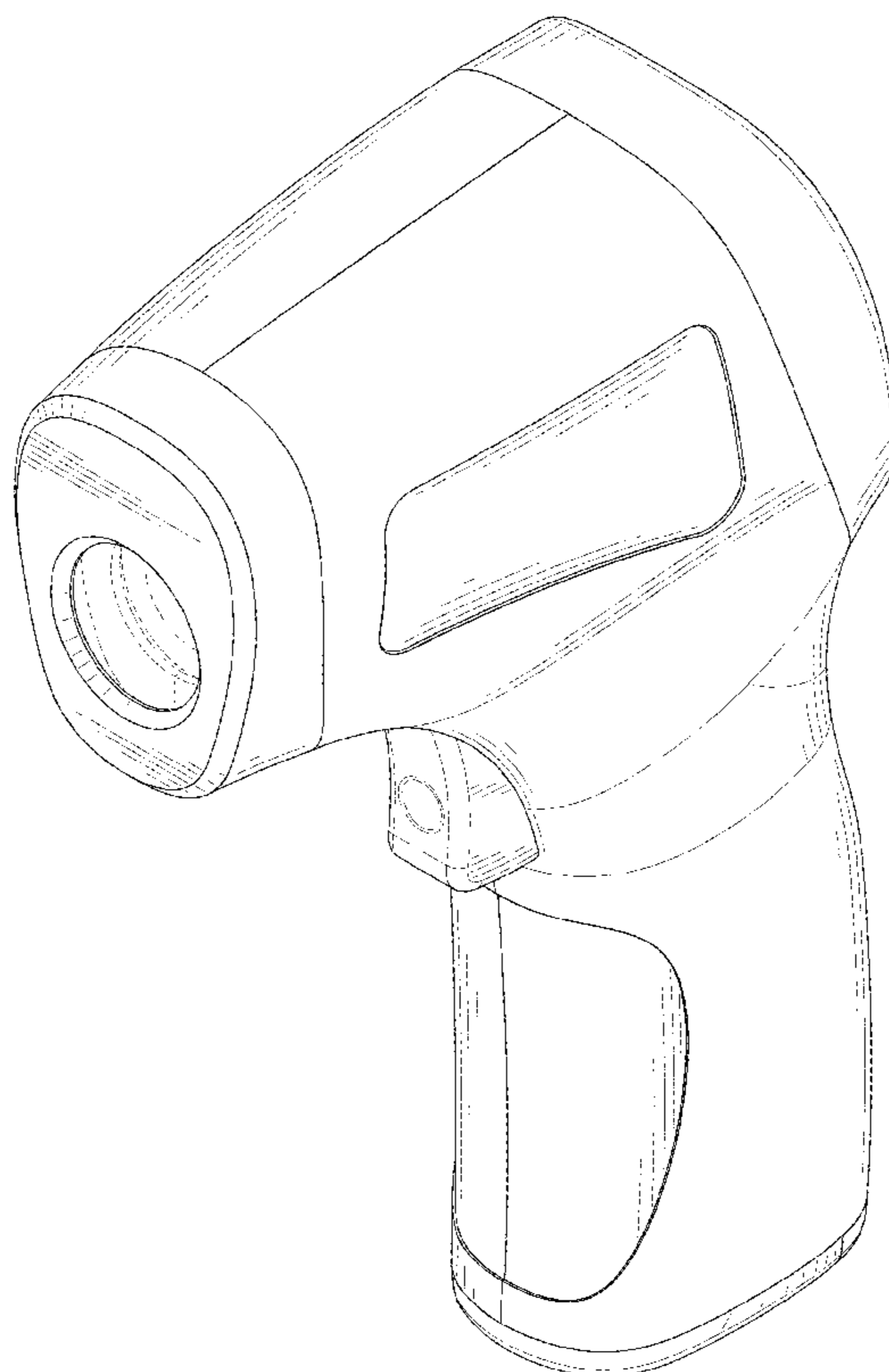
(57) **CLAIM**

The ornamental design for an electronic non-contact infrared thermometer X6, as shown and described.

DESCRIPTION

FIG. 1 is a front and right perspective view of an electronic non-contact infrared thermometer X6, showing my design. FIG. 2 is a back and bottom perspective view thereof. FIG. 3 is a front elevation view thereof. FIG. 4 is a rear elevation view thereof. FIG. 5 is a left side elevation view thereof. FIG. 6 is a right side elevation view thereof. FIG. 7 is a top plan view thereof; and, FIG. 8 is a bottom plan view thereof. The broken lines are for environmental structure, boundaries, or illustrative purposes only and form no part of the claimed designs to be patented.

1 Claim, 8 Drawing Sheets



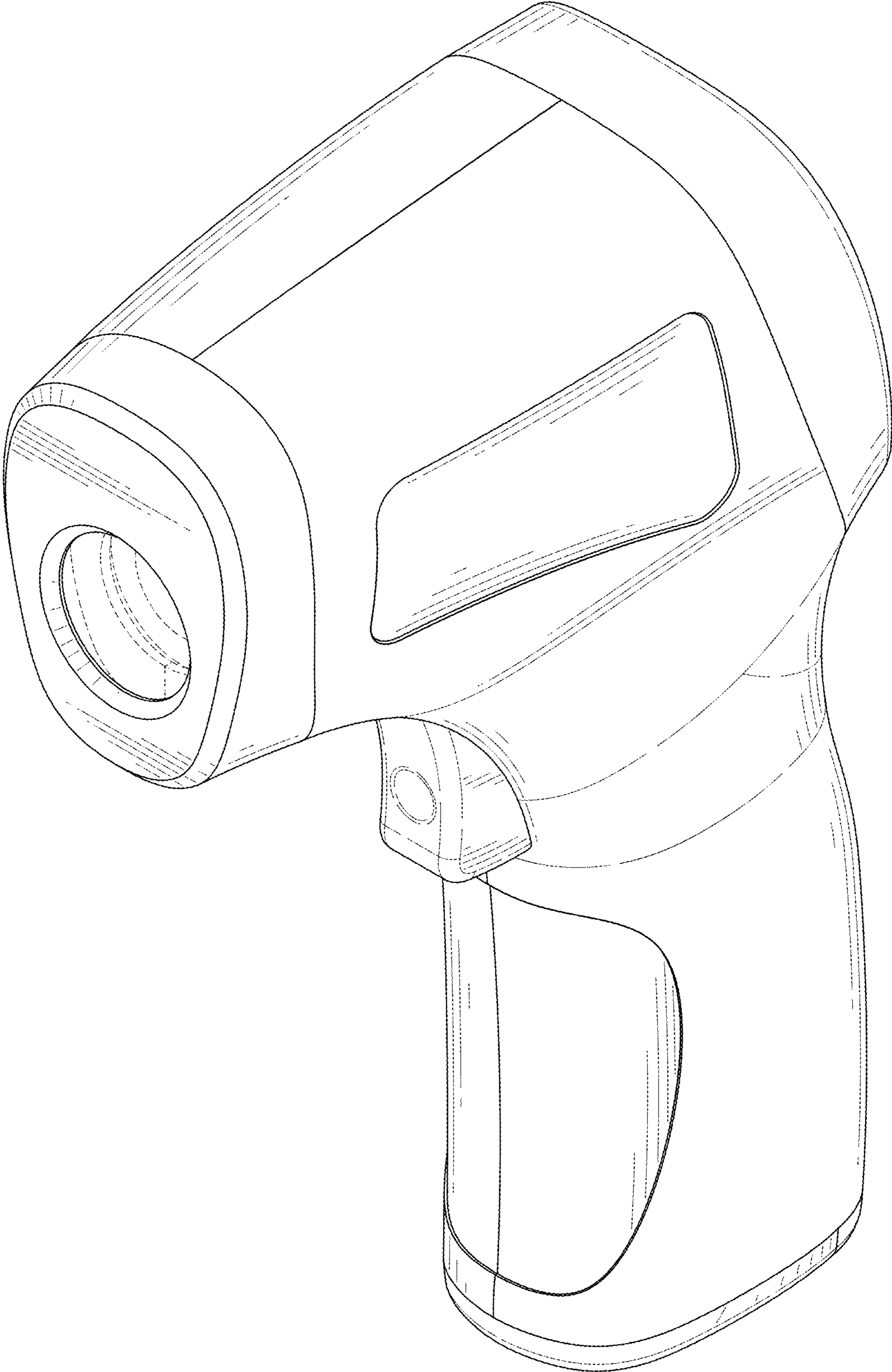


FIG. 1

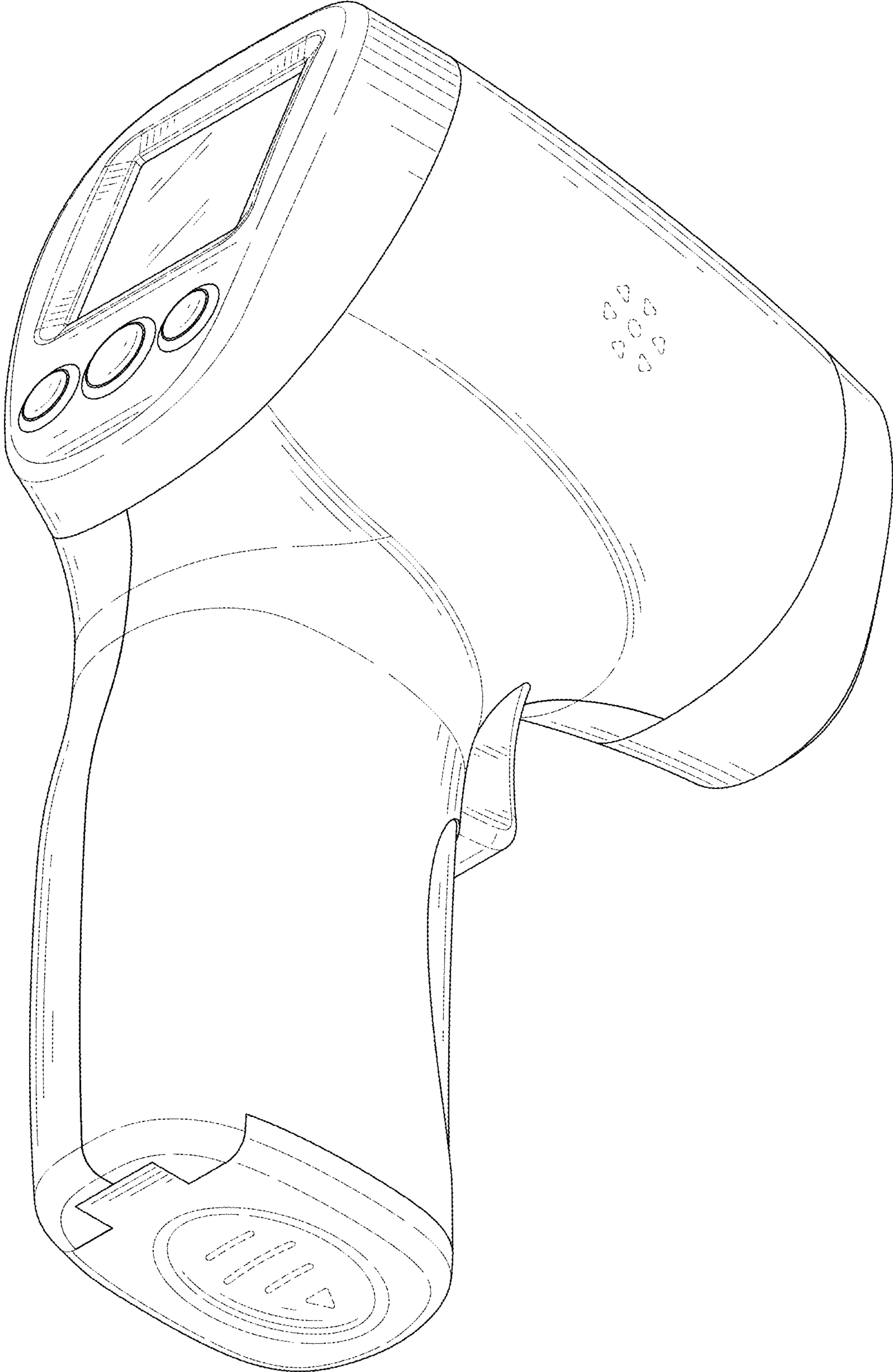


FIG. 2

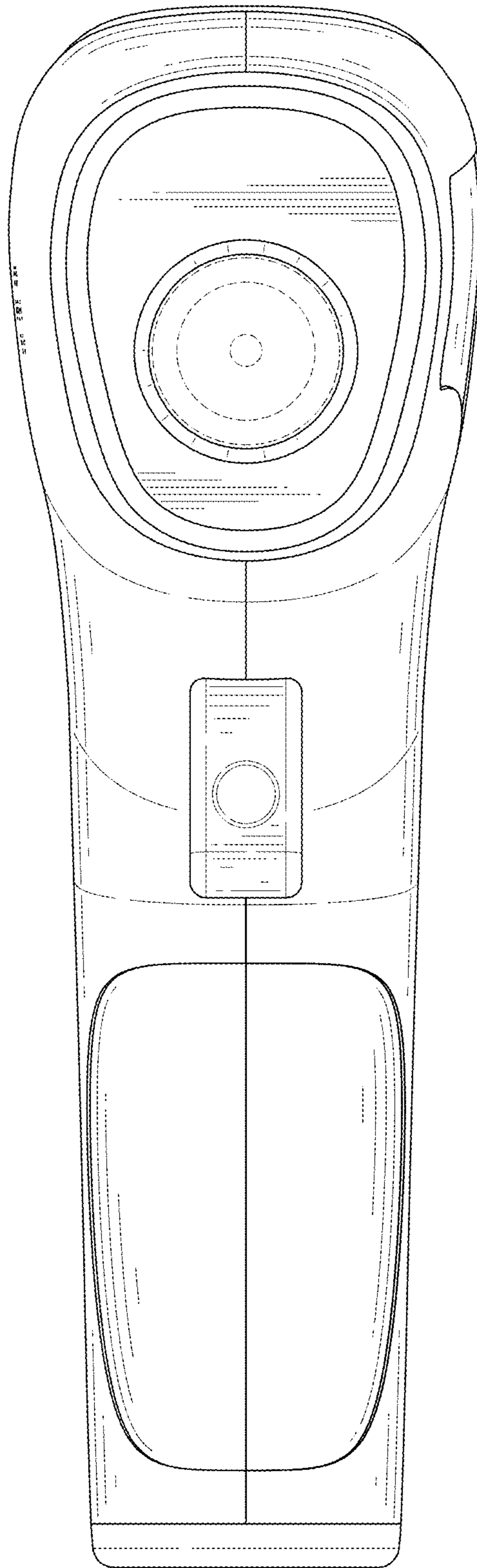


FIG. 3

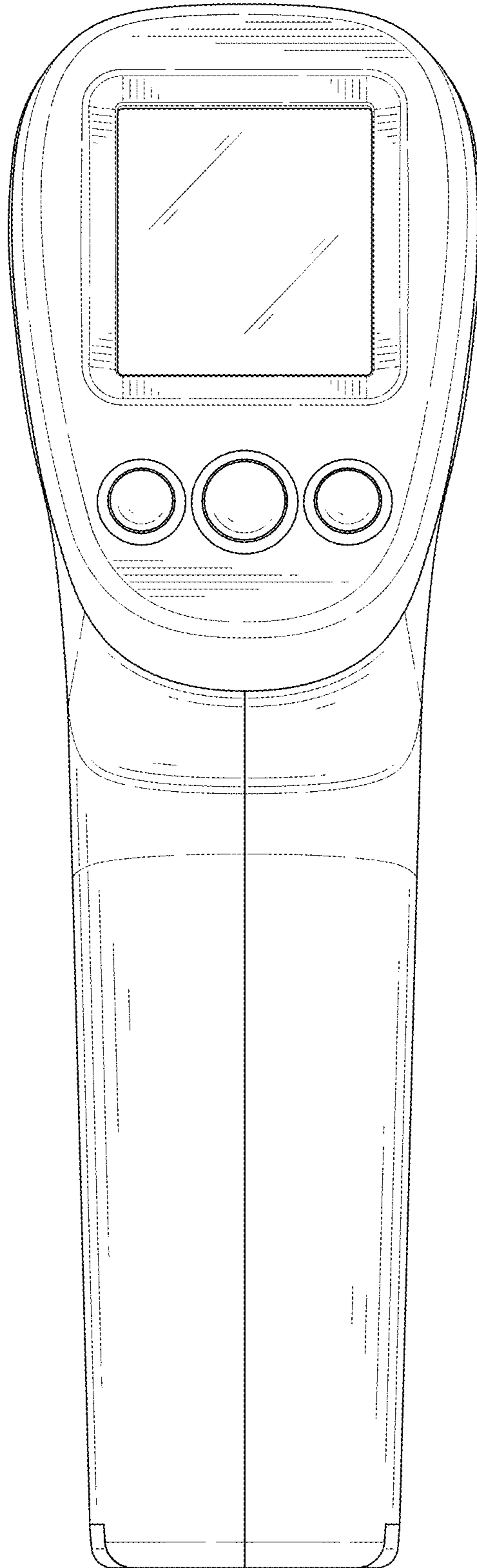


FIG. 4

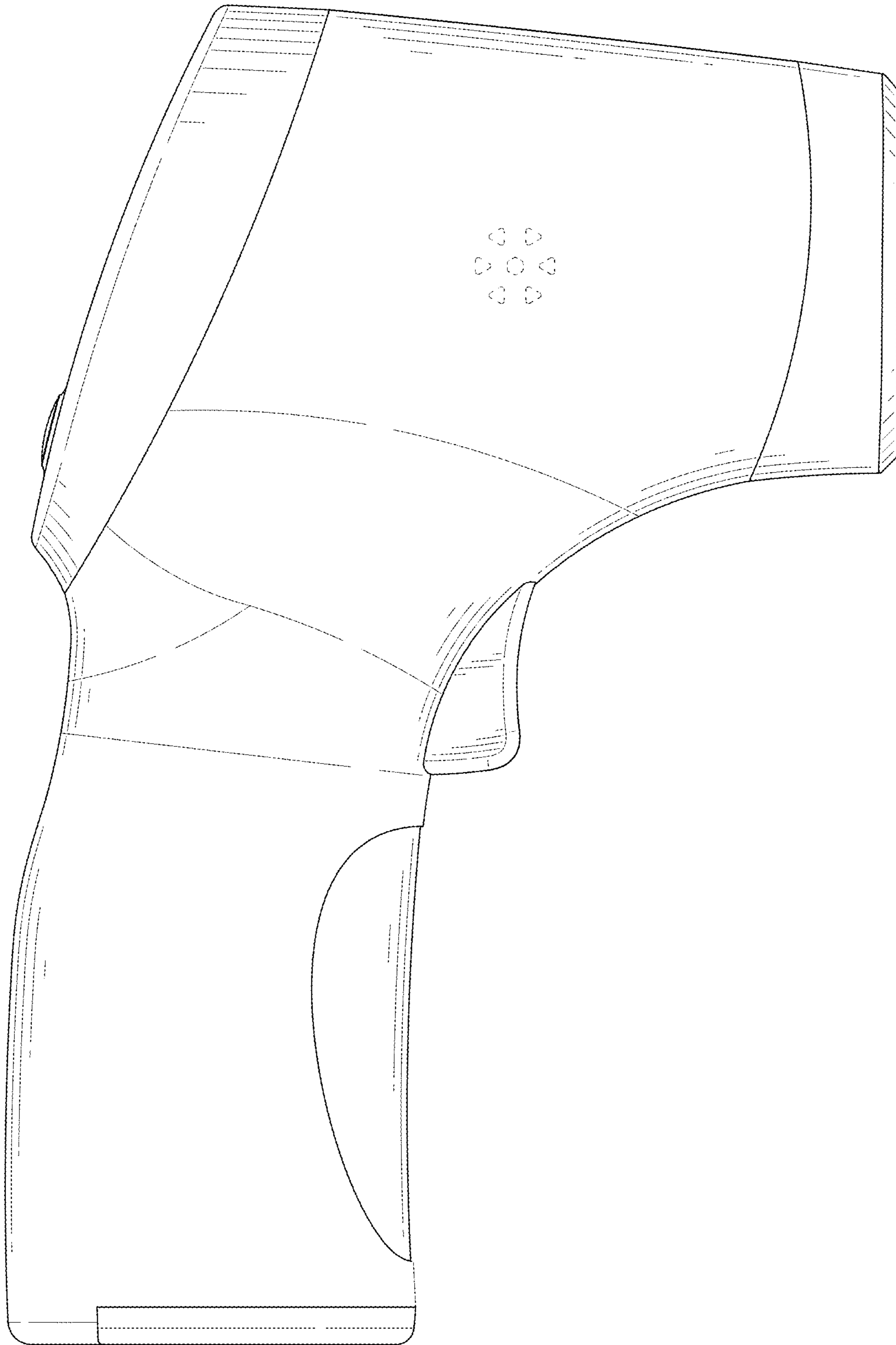


FIG. 5

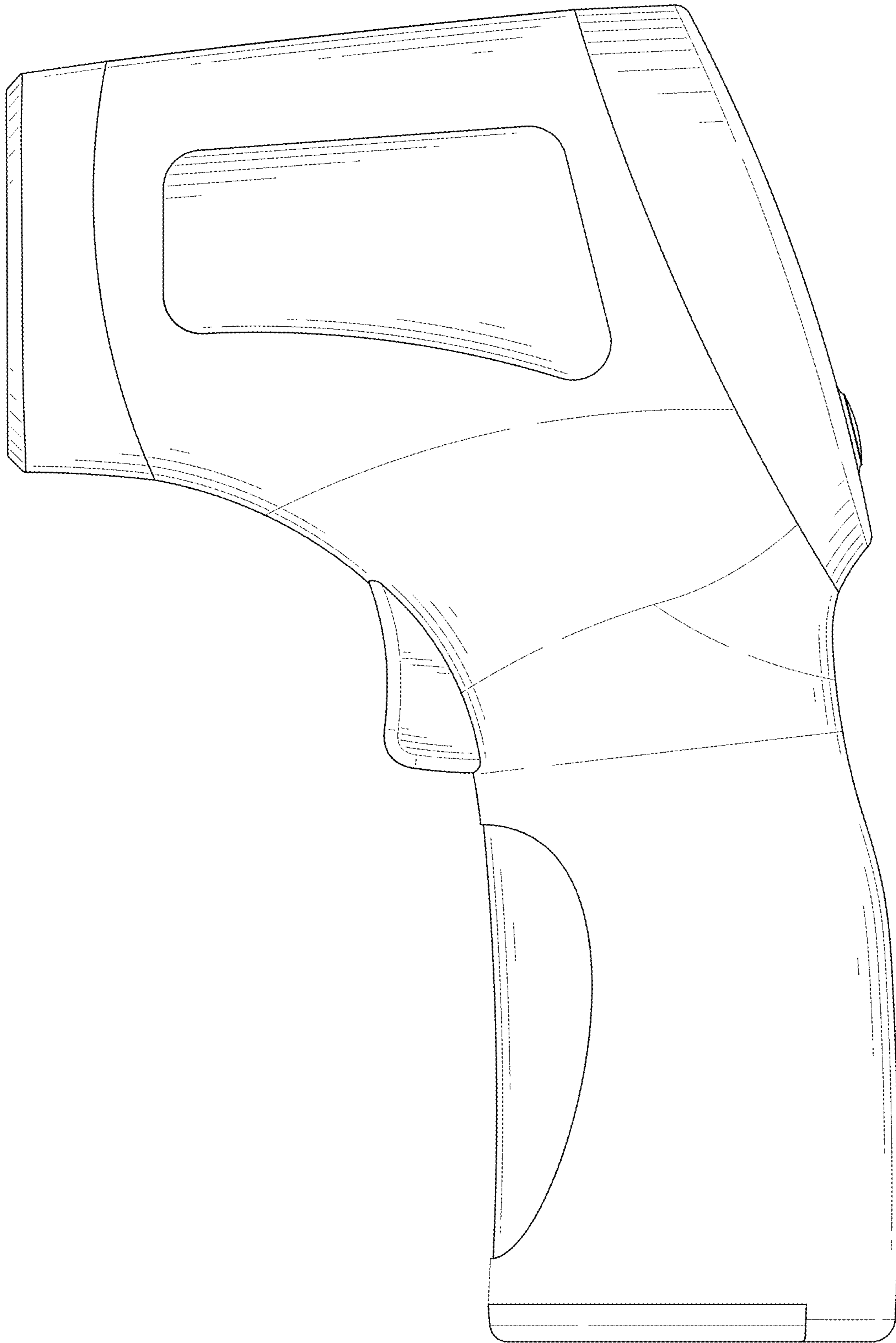


FIG. 6

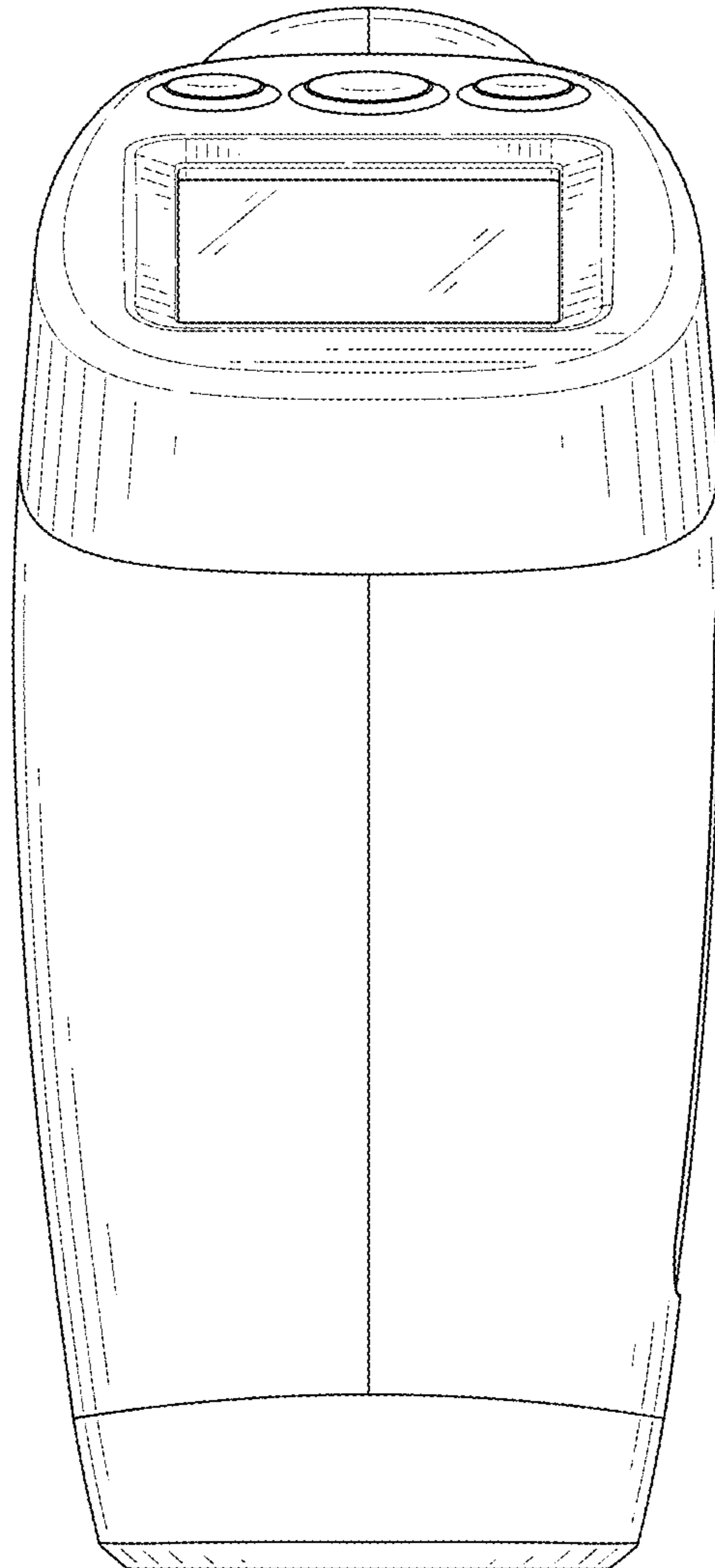


FIG. 7

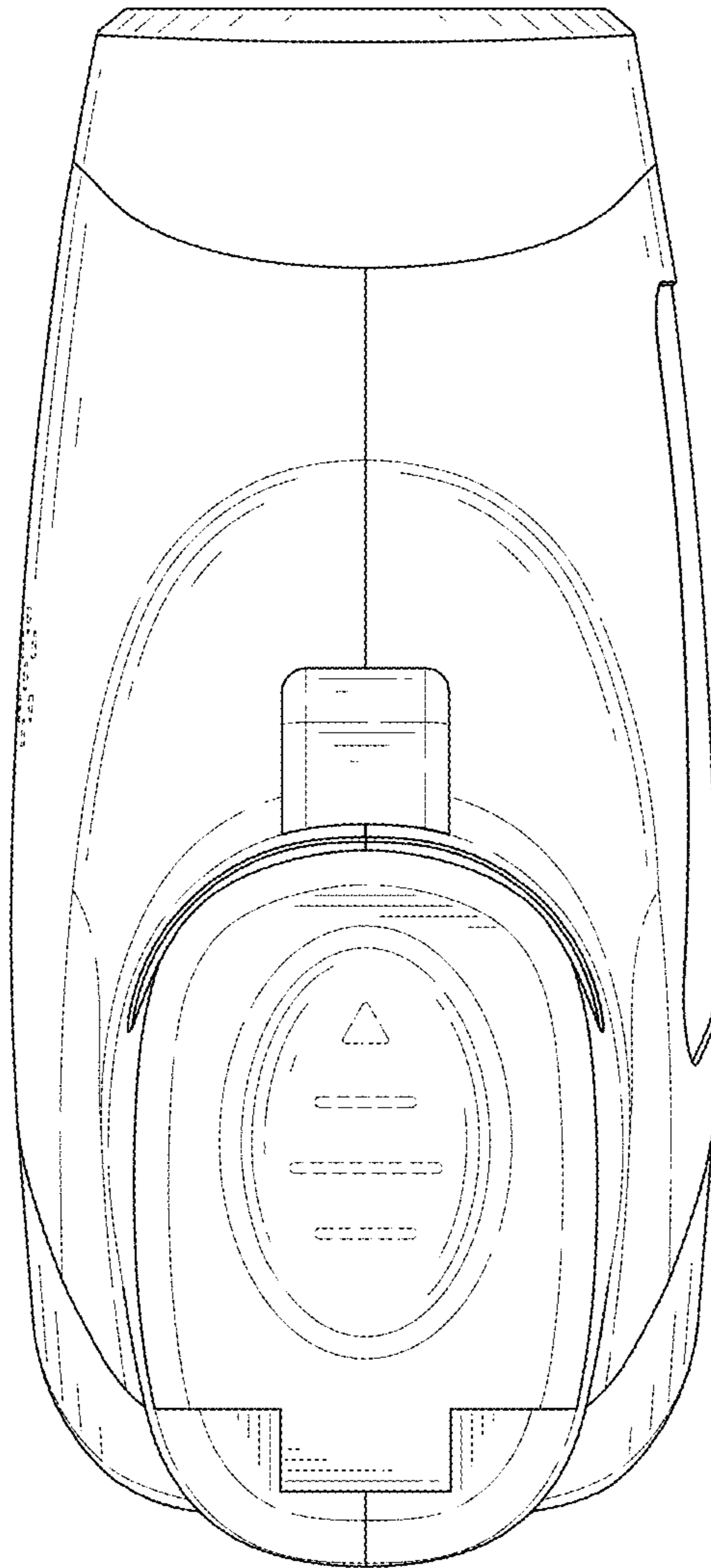


FIG. 8