

US00D949713S

(12) **United States Design Patent**
Henssler et al.

(10) **Patent No.:** **US D949,713 S**
(45) **Date of Patent:** **** Apr. 26, 2022**

(54) **APPEARANCE MEASUREMENT INSTRUMENT**

(71) Applicant: **BYK-Gardner GmbH**, Geretsried (DE)

(72) Inventors: **Heinrich Henssler**, Schwabish Gmund (DE); **Martin Schultheiss**, Schwabish Gmund (DE); **Karin Patricia Anger-Marx**, Steinheim (DE)

(73) Assignee: **BYK-Gardner GMBH**

(**) Term: **15 Years**

(21) Appl. No.: **29/720,868**

(22) Filed: **Jan. 16, 2020**

(30) **Foreign Application Priority Data**

Nov. 27, 2019 (EM) 007305206-0004

(51) **LOC (13) Cl.** **10-07**

(52) **U.S. Cl.**
USPC **D10/46; D10/81**

(58) **Field of Classification Search**
USPC D10/46, 47, 49, 65, 70, 75-78, 80, 81, D10/83, 84, 85
CPC G01B 11/30; G01B 5/28; G01N 21/57; G01N 21/01; G01N 2201/022; G01N 2201/0221; G01N 2201/0228; G01N 21/4785; G01N 2201/13; G01J 3/00; G01J 3/06; G01J 3/46; G01J 3/02; G01J 3/524

See application file for complete search history.

(56) **References Cited**

U.S. PATENT DOCUMENTS

D421,401 S * 3/2000 Schwarz D10/78
D551,579 S * 9/2007 Kano D10/81
D614,053 S * 4/2010 Matsumiya D10/70
9,364,071 B2 6/2016 Jung

9,417,184 B2 * 8/2016 Wimmer G01N 21/4785
9,772,230 B2 * 9/2017 Ehbets G01J 3/0272
10,094,783 B2 * 10/2018 Williams G01N 21/763
D846,415 S * 4/2019 Henssler D10/81
D846,416 S * 4/2019 Henssler D10/81
D846,417 S * 4/2019 Henssler D10/81
D864,772 S * 10/2019 Jablonski D10/81

(Continued)

OTHER PUBLICATIONS

Dissecting Orange Peel | viscosity.com; posted Jun. 1, 2018 [online], © 2018 BNP Media [retrieved Aug. 27, 2021] from Internet: <https://www.viscosity.com/hubfs/Dissecting-Orange-Peel-%E2%80%93-A-Process-Oriented-Approach_Part-II_-_2018-06-01_-_PCI-Magazine.pdf?hsLang=en-us> (Year: 2018).*

(Continued)

Primary Examiner — Katherine Glennon

(74) *Attorney, Agent, or Firm* — Stoel Rives LLP

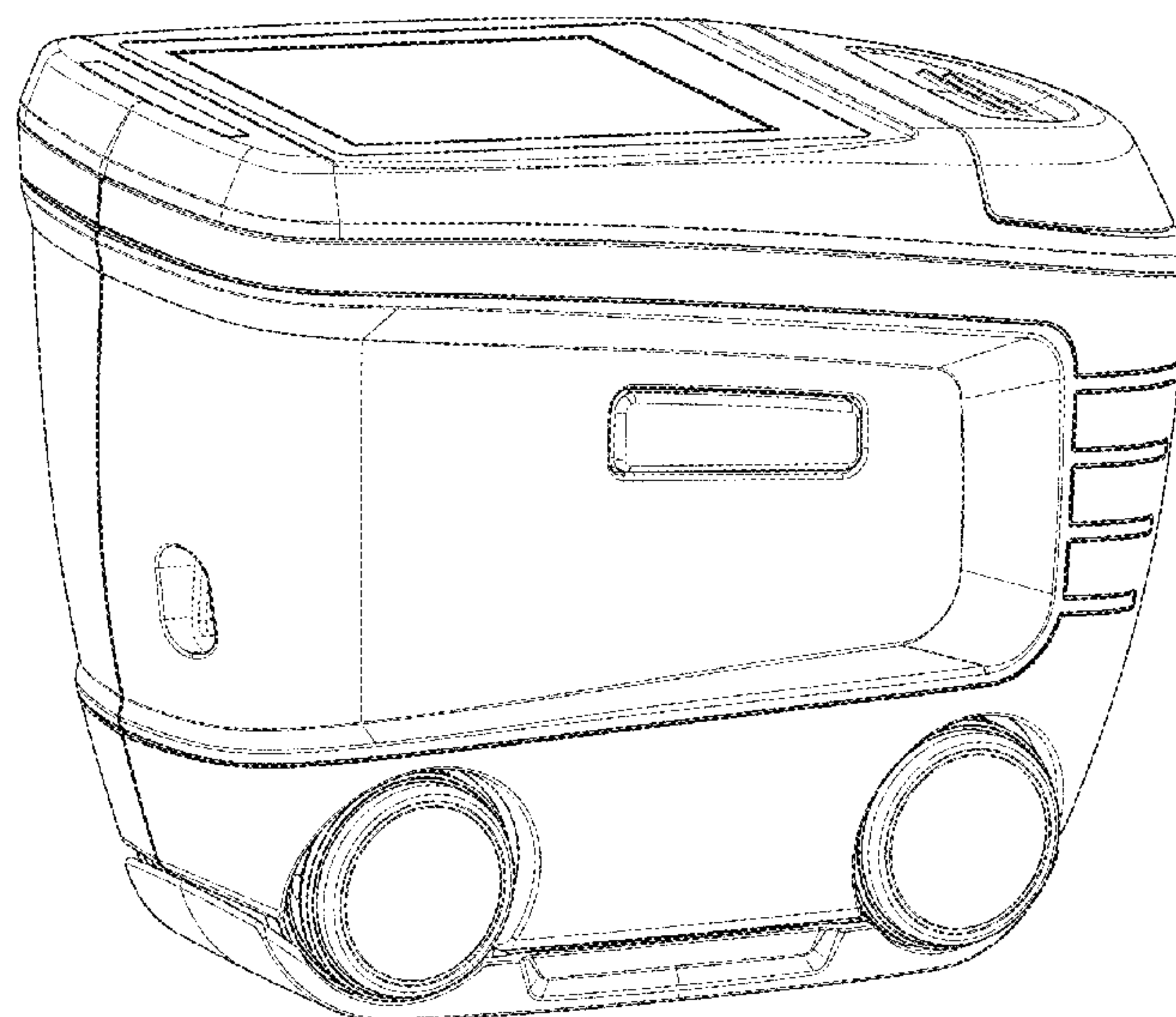
(57) **CLAIM**

The ornamental design for an appearance measurement instrument, as shown and described.

DESCRIPTION

FIG. 1 is a top front end perspective view of an appearance measurement instrument.
FIG. 2 is a top back end perspective view thereof.
FIG. 3 is a bottom left side perspective view thereof.
FIG. 4 is a another top front end perspective view thereof.
FIG. 5 is a front end view thereof.
FIG. 6 is a back end view thereof.
FIG. 7 is a right side view thereof.
FIG. 8 is a left side view thereof.
FIG. 9 is a top view thereof; and,
FIG. 10 is a bottom view thereof.
The broken lines in the figures illustrate portions of the appearance measurement instrument that form no part of the claimed design.

1 Claim, 10 Drawing Sheets



(56)

References Cited

U.S. PATENT DOCUMENTS

2005/0242191 A1* 11/2005 Baker G01N 21/8483
235/472.01
2005/0243317 A1* 11/2005 Baker G01J 3/524
356/402
2012/0229809 A1* 9/2012 Pellenc G01N 21/474
356/402
2012/0273681 A1* 11/2012 Schulkin G01J 3/0291
250/339.06
2014/0063500 A1* 3/2014 Danhamer G01J 3/0289
356/402
2014/0192358 A1* 7/2014 Barbieri G01J 3/46
356/402
2018/0252584 A1* 9/2018 Yamanoi G01J 3/0291
2018/0372541 A1* 12/2018 Scardina G01J 3/0289
2019/0369024 A1 12/2019 Cesario et al.
2020/0132593 A1 4/2020 Schwarz
2020/0254583 A1* 8/2020 Kutscha B24B 49/12

OTHER PUBLICATIONS

Office Action dated Sep. 1, 2021 for U.S. Appl. No. 29/720,893.
Color Control BYK Instruments, byk-instruments.com; no posting
date online; retrieved Aug. 28, 2021 from internet; http://www.byk-instruments.com/en/color-control/c/1977_2021.

* cited by examiner

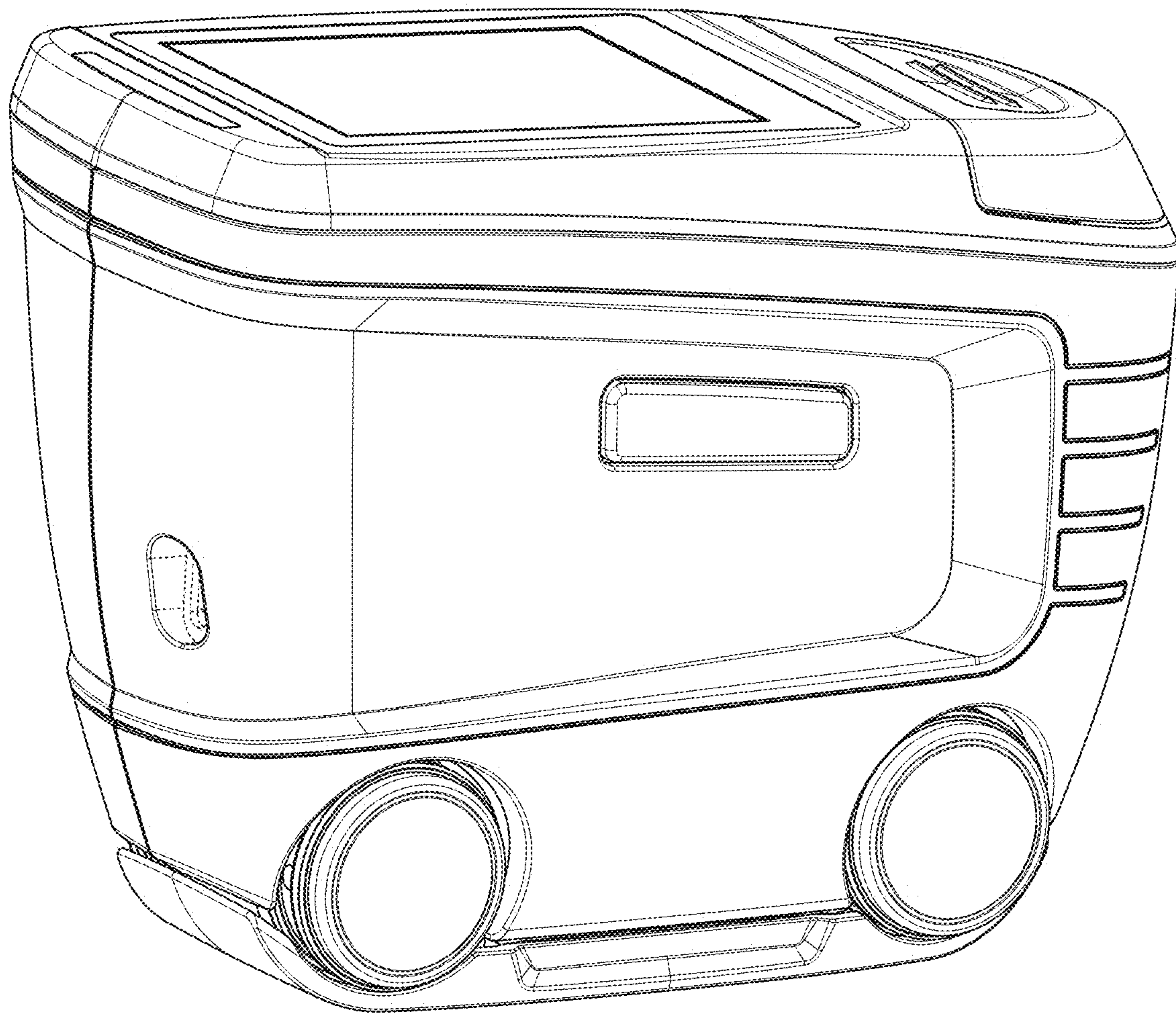


FIG. 1

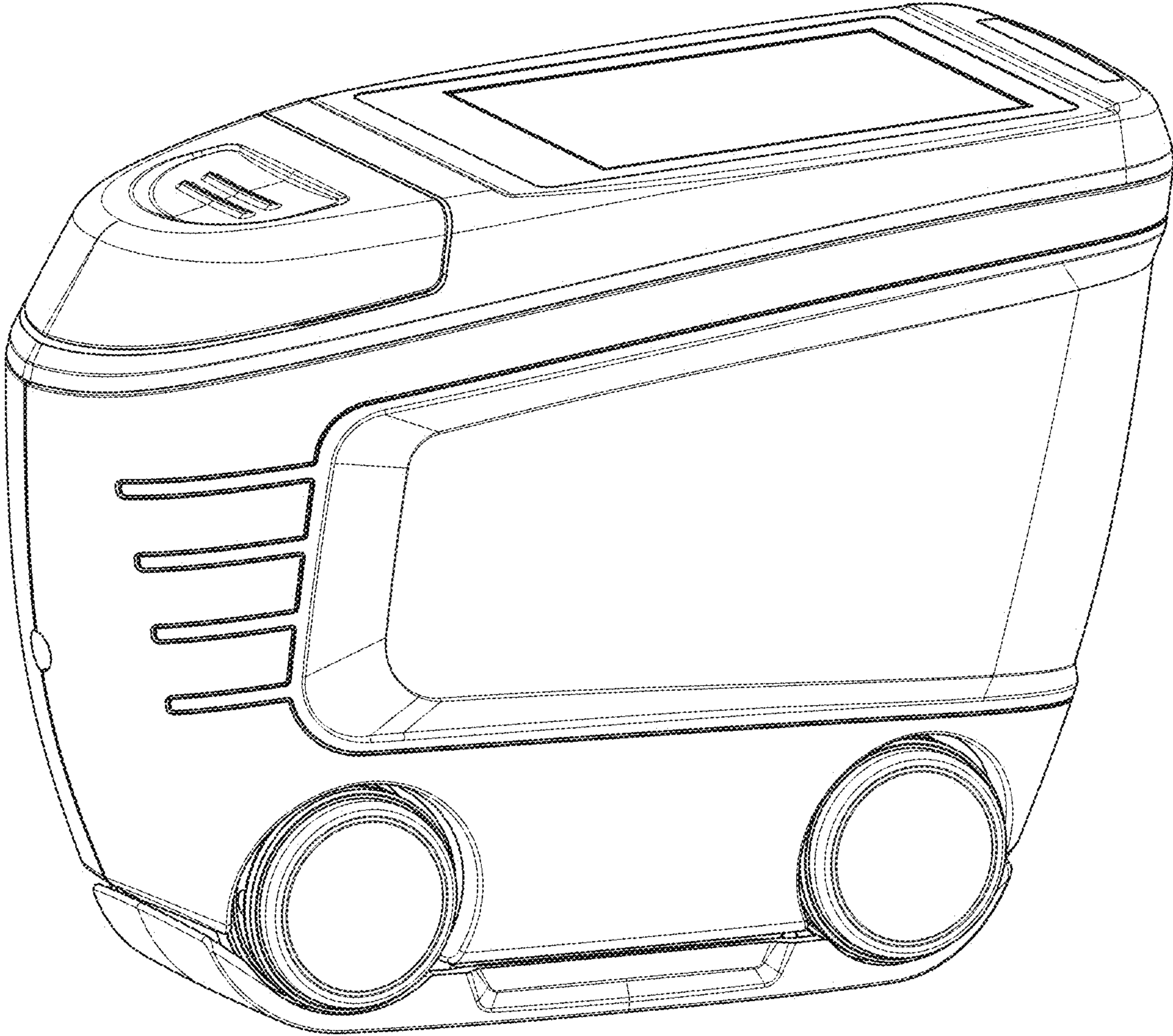


FIG. 2

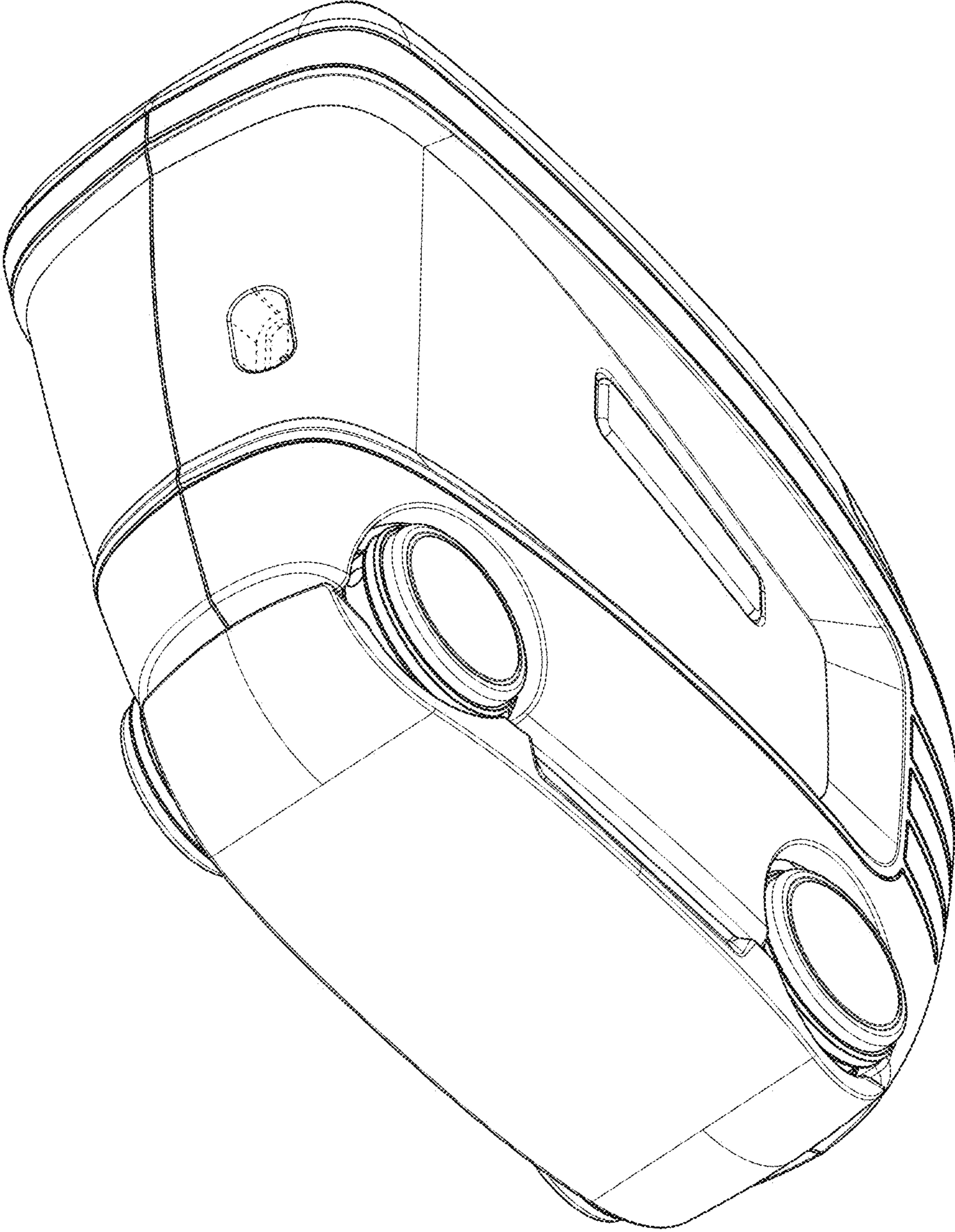


FIG. 3

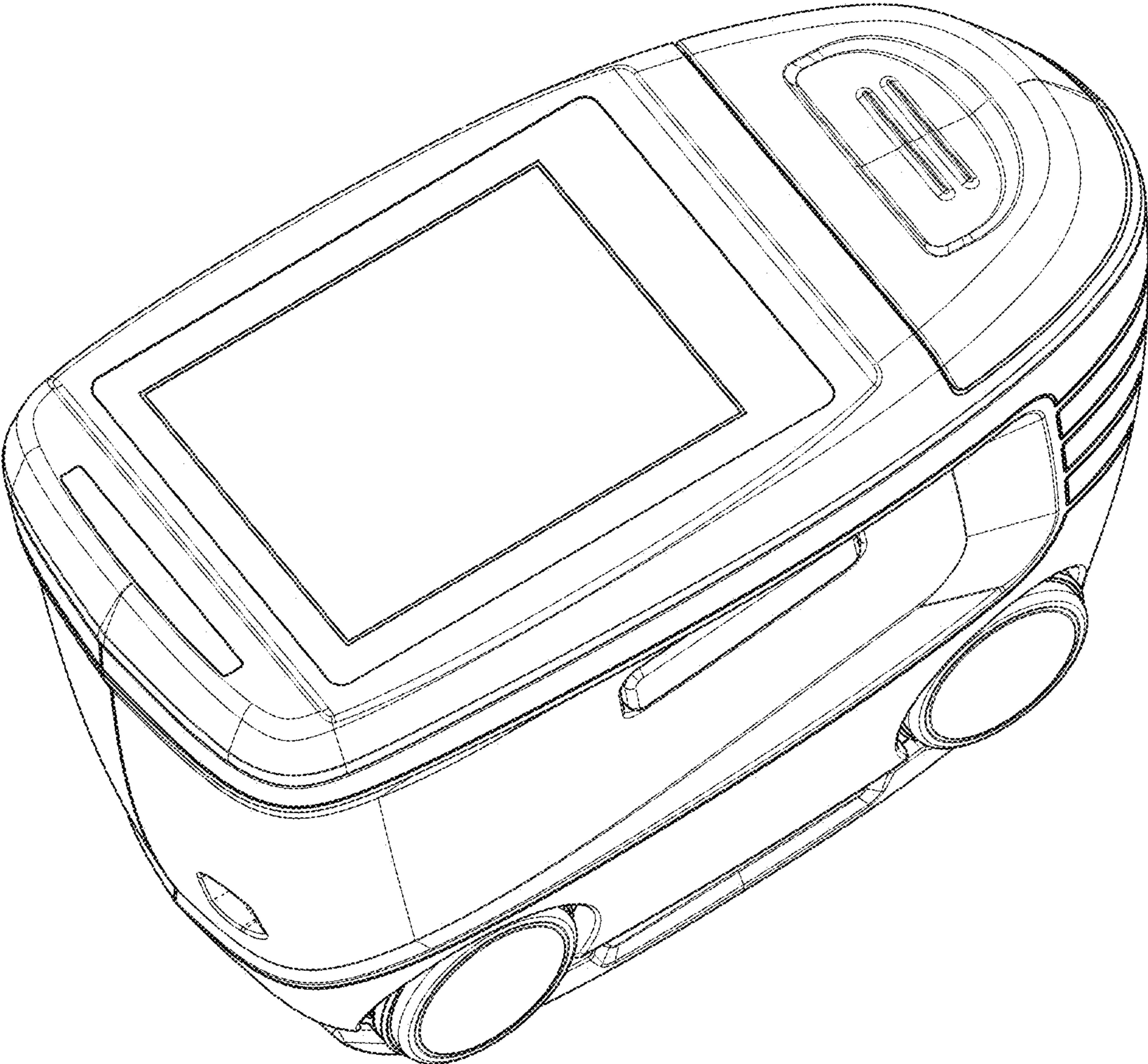


FIG. 4

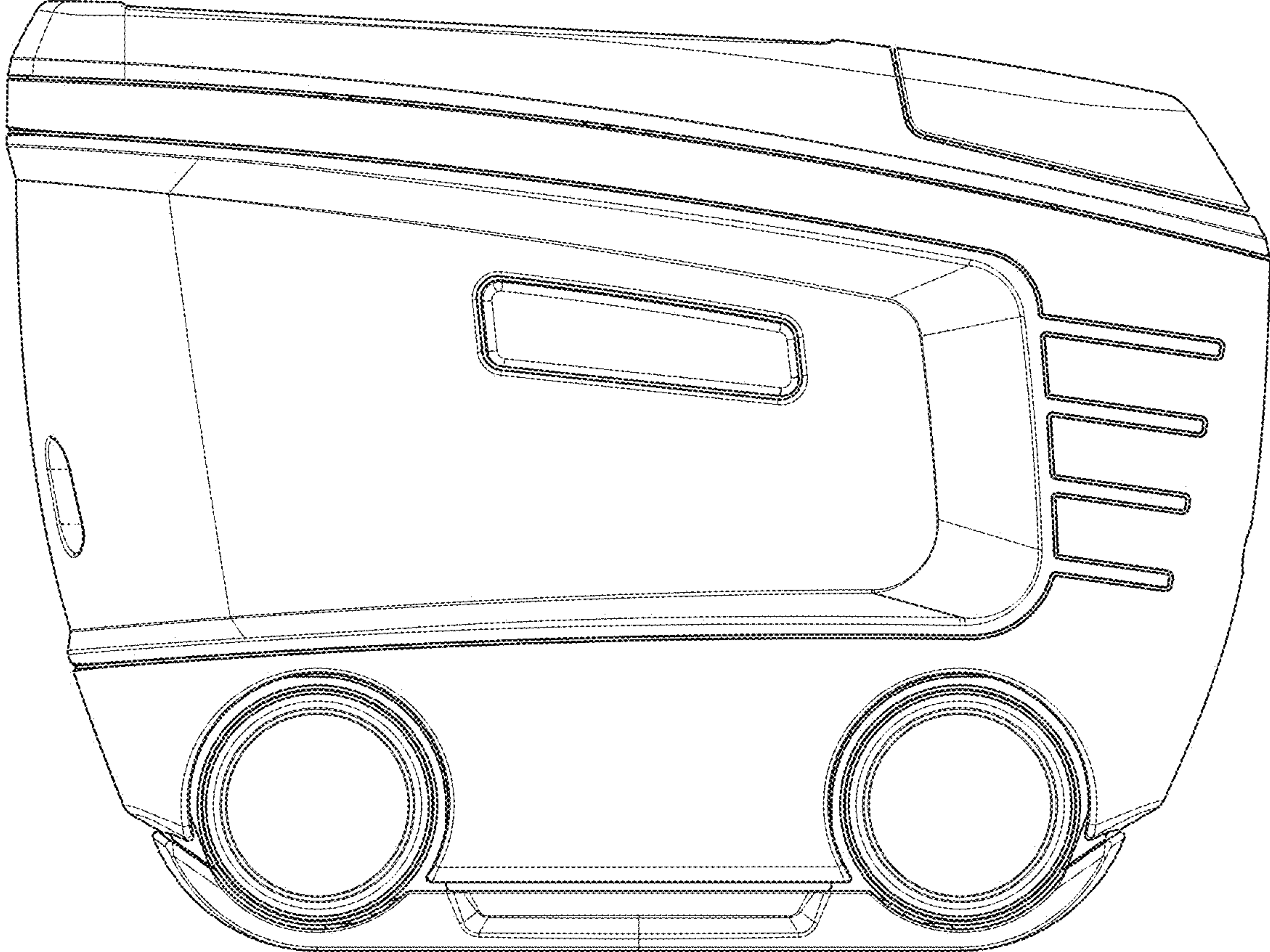


FIG. 5

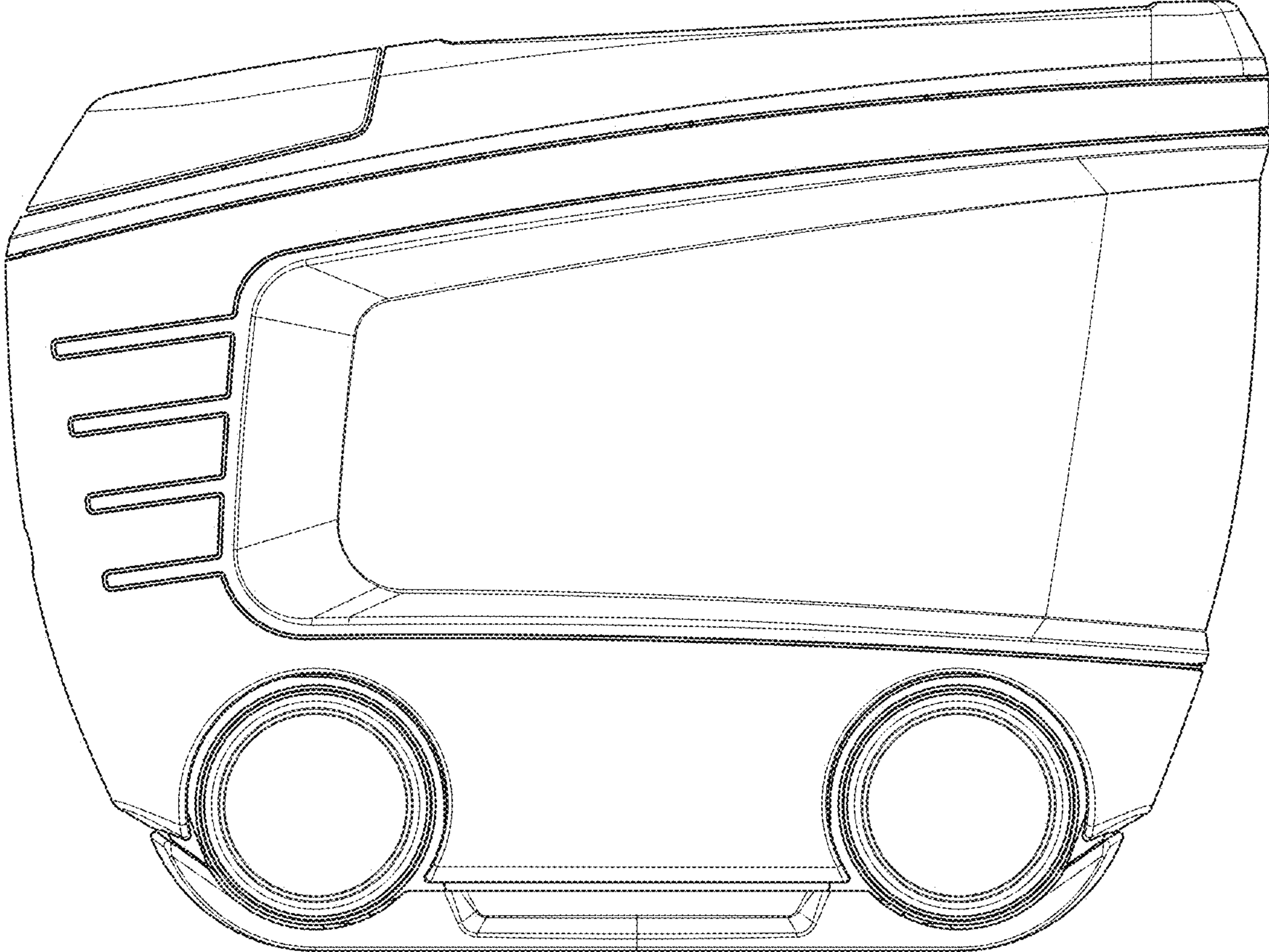


FIG. 6

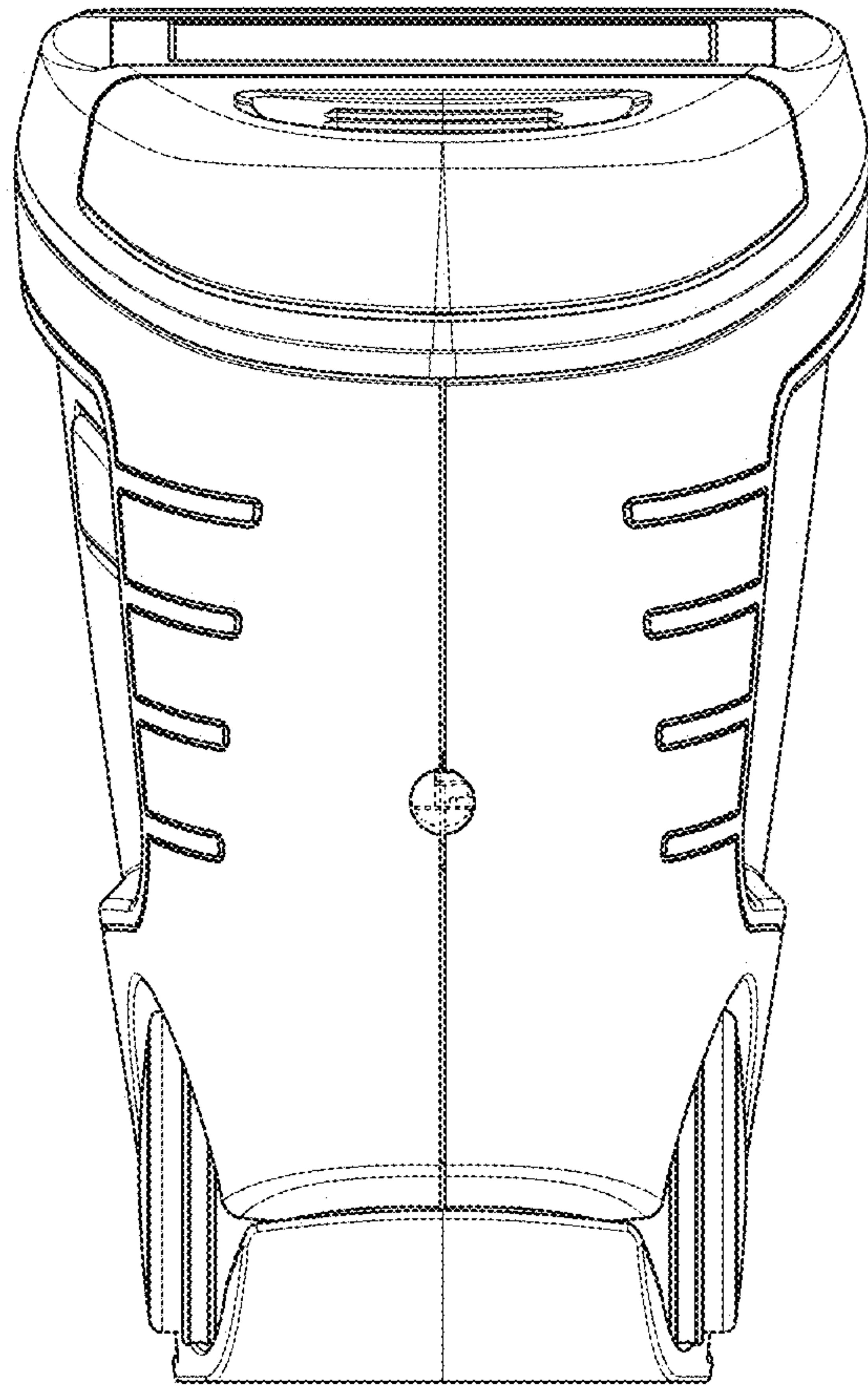


FIG. 7

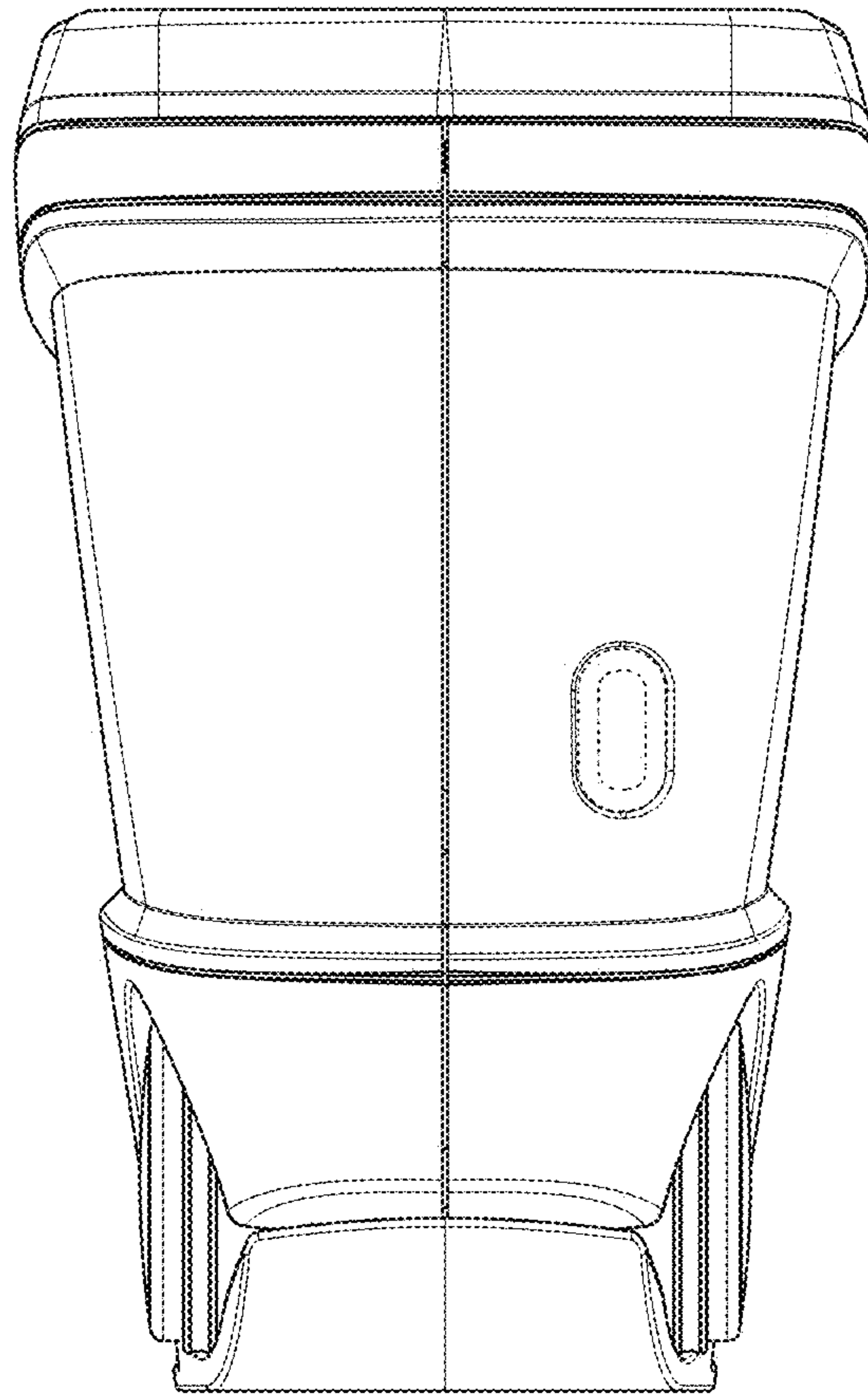


FIG. 8

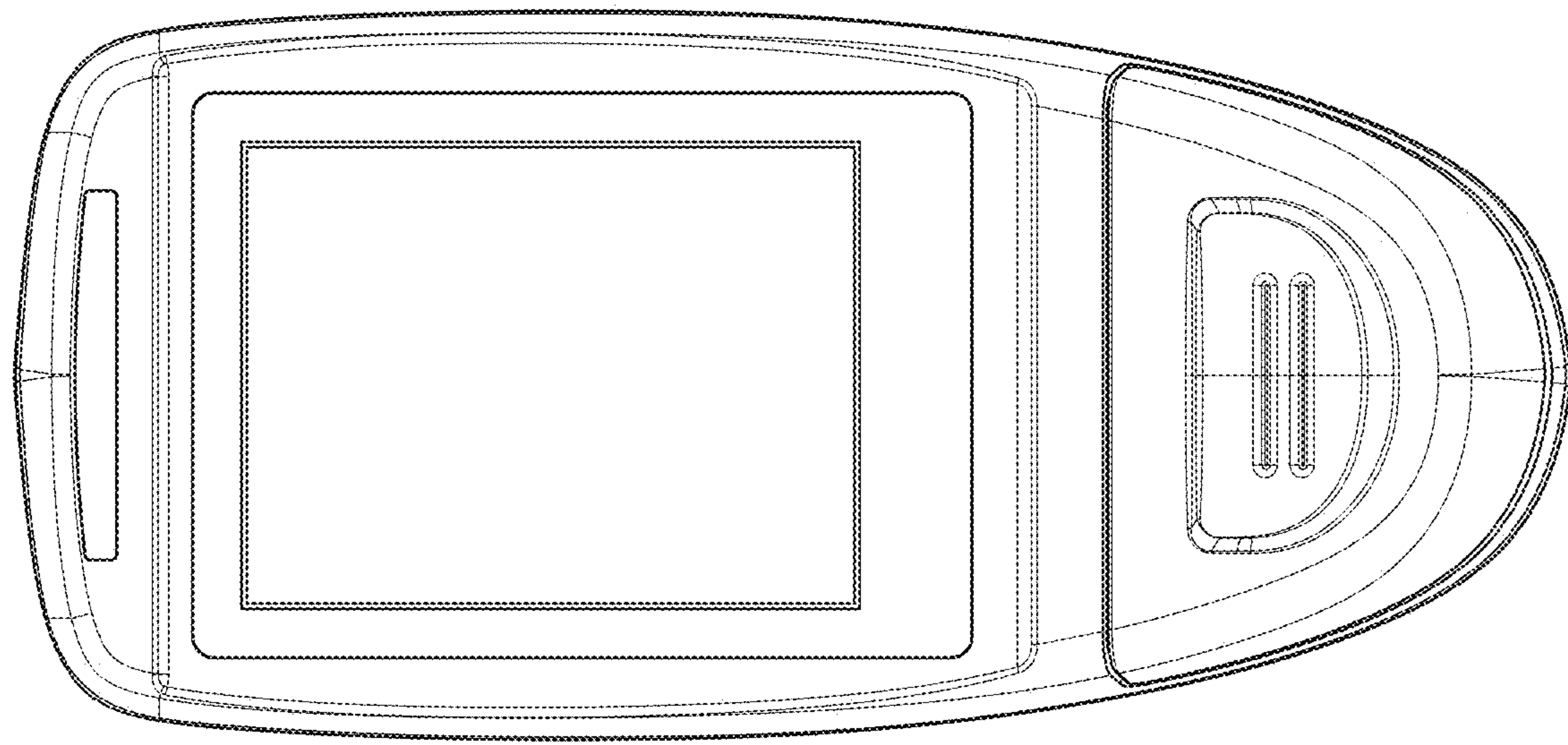


FIG. 9

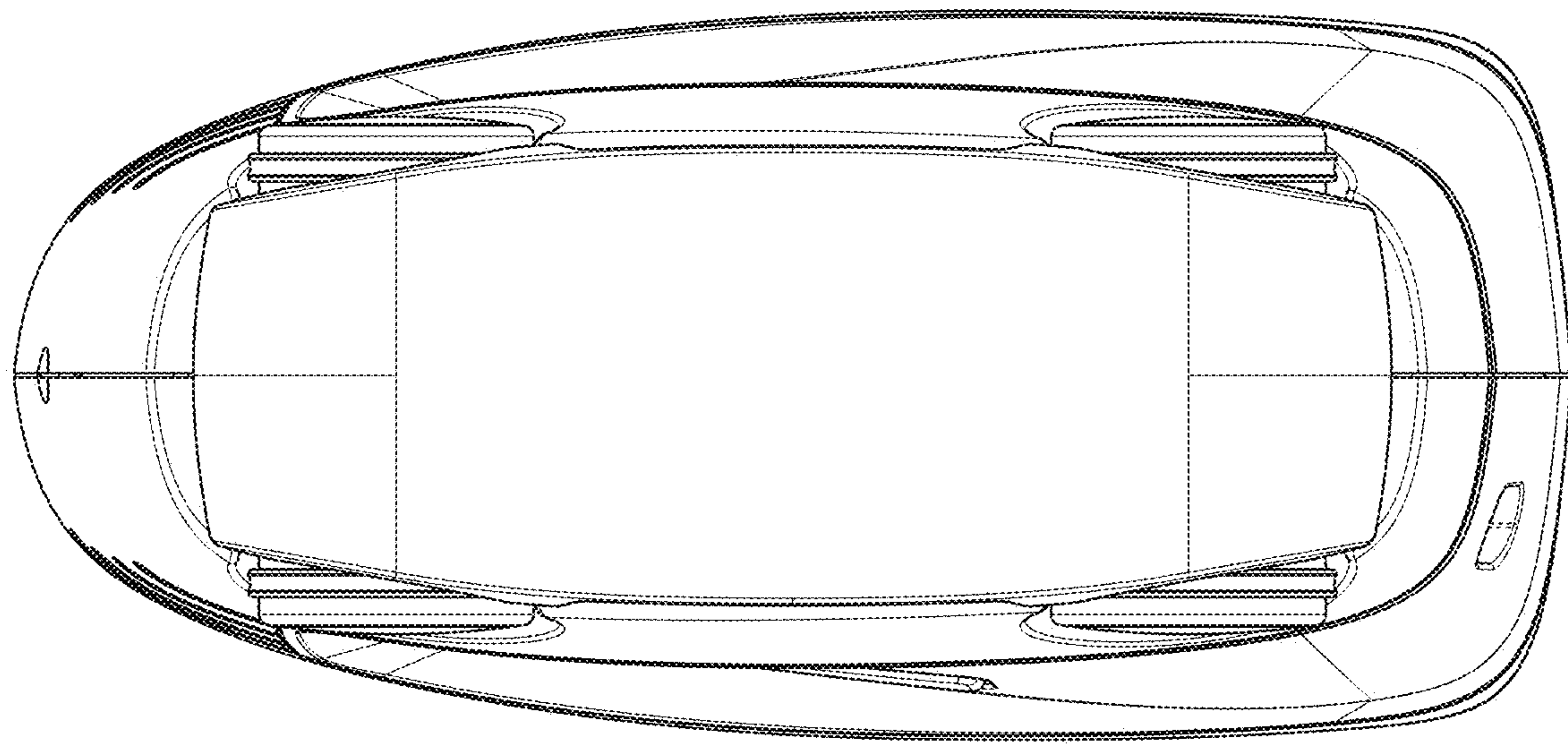


FIG. 10