



US00D949712S

(12) **United States Design Patent**
Dawson

(10) **Patent No.:** **US D949,712 S**

(45) **Date of Patent:** **** Apr. 26, 2022**

(54) **DIGITAL COUNTER**

(71) Applicant: **Micah Allen Dawson**, Foreman, AR
(US)

(72) Inventor: **Micah Allen Dawson**, Foreman, AR
(US)

(**) Term: **15 Years**

(21) Appl. No.: **29/667,569**

(22) Filed: **Oct. 23, 2018**

(51) **LOC (13) Cl.** **10-03**

(52) **U.S. Cl.**
USPC **D10/40**

(58) **Field of Classification Search**
USPC D10/46, 40, 41
CPC G04F 1/00; G04F 1/005; G04F 37/00
See application file for complete search history.

(56) **References Cited**

U.S. PATENT DOCUMENTS

- 5,602,802 A * 2/1997 Leigh-Spencer A61J 7/0481
365/66
- 5,905,694 A * 5/1999 Rothberg G04F 8/08
368/107

- D565,983 S * 4/2008 Ni D10/106.8
- D565,984 S * 4/2008 Lidong A61J 7/0481
D10/106.8
- 8,102,735 B2 * 1/2012 Morse A61J 7/0472
221/2
- D830,857 S * 10/2018 Ni A61J 7/0472
D10/40

* cited by examiner

Primary Examiner — Antoine Duval Davis

(74) *Attorney, Agent, or Firm* — Richard Eldredge;
Eldredge Law Firm

(57) **CLAIM**

The ornamental design for a digital counter, as shown and described.

DESCRIPTION

FIG. 1 is a front view of a digital counter according to the present application.

FIG. 2 is a left view of the digital counter.

FIG. 3 is a right view of the digital counter.

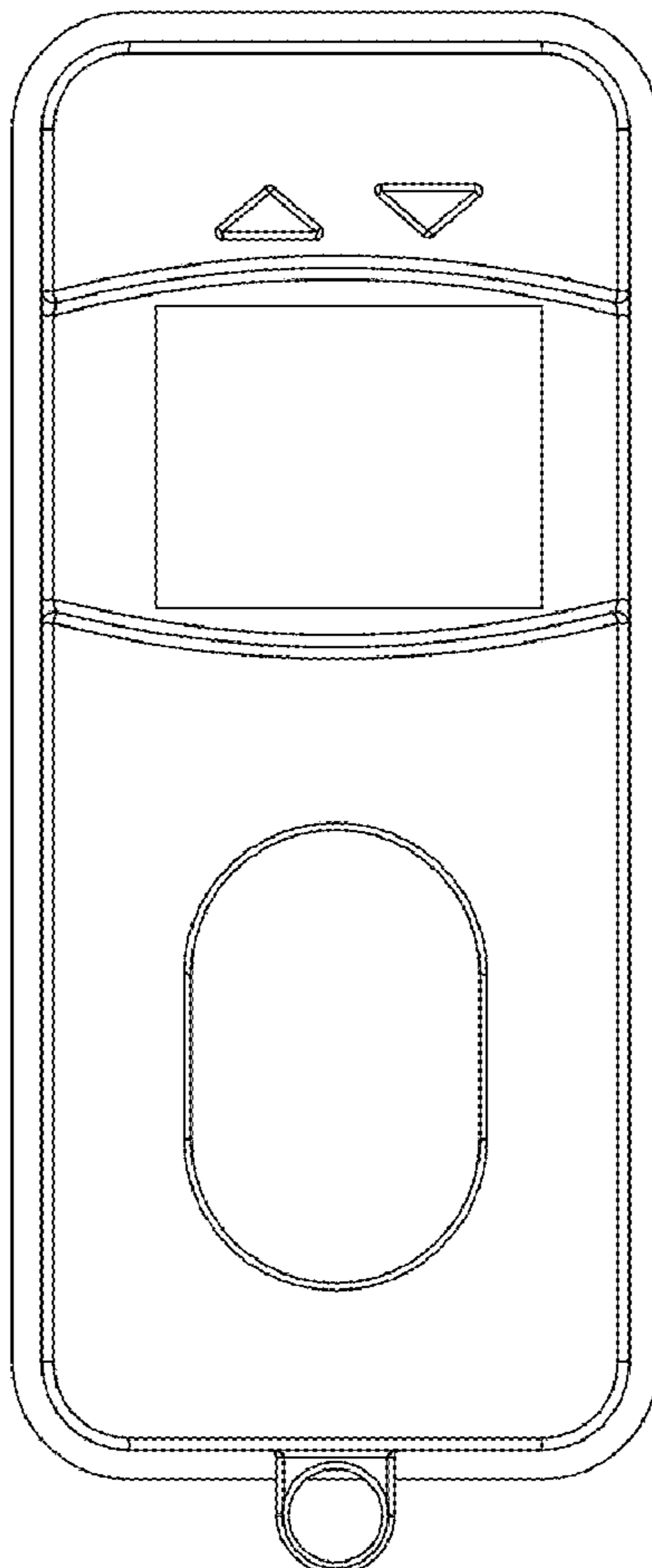
FIG. 4 is top view of the digital counter.

FIG. 5 is a bottom view of the digital counter.

FIG. 6 is a back view of the digital counter; and,

FIG. 7 is a front perspective view of the digital counter.

1 Claim, 2 Drawing Sheets



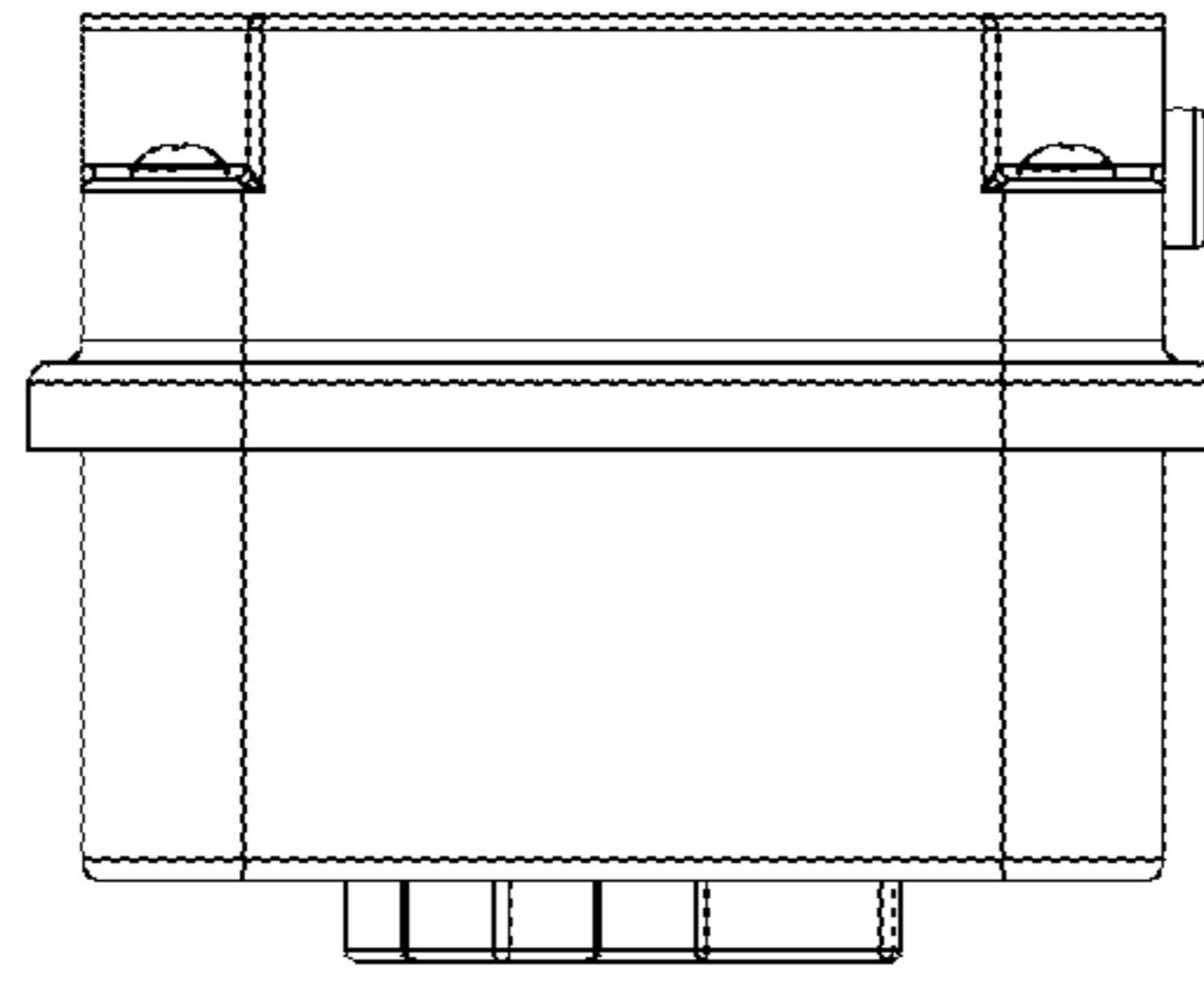


FIG. 4

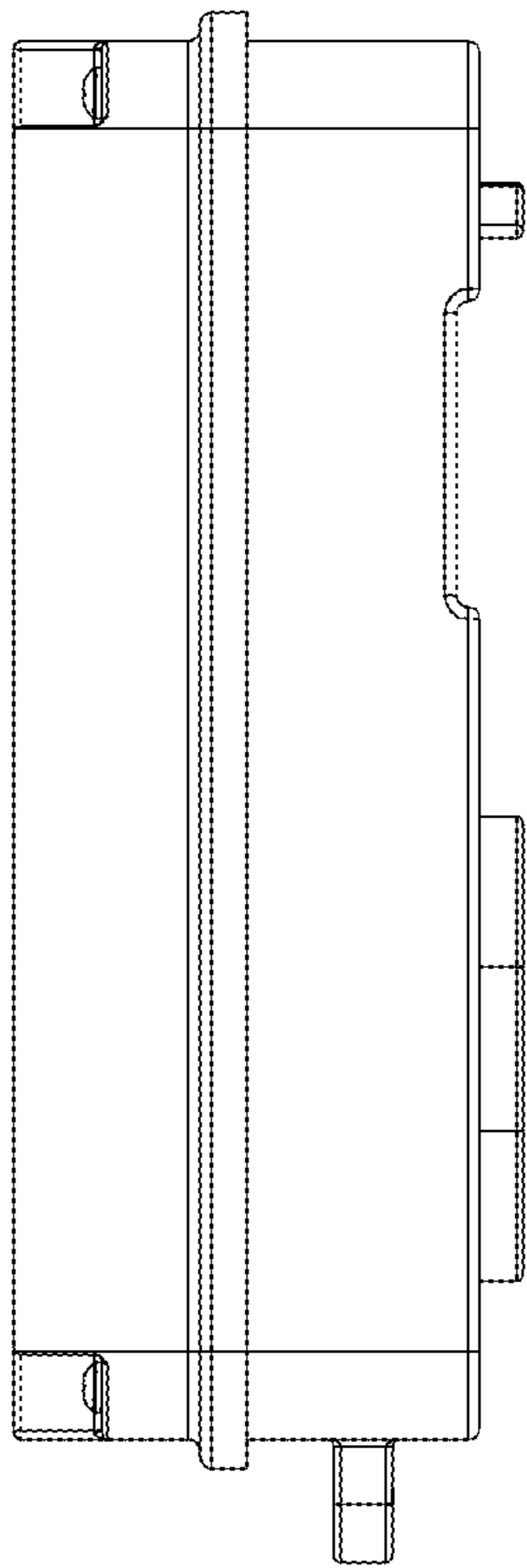


FIG. 3

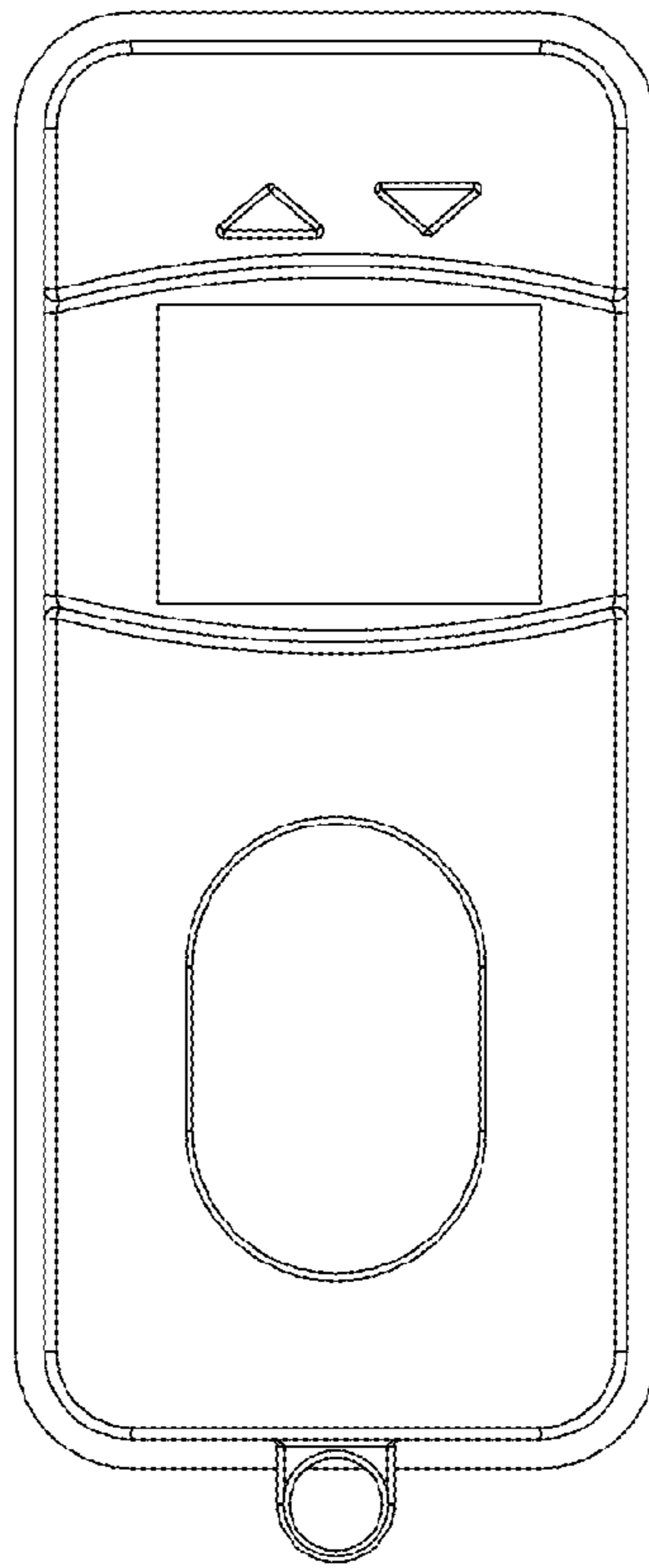


FIG. 1

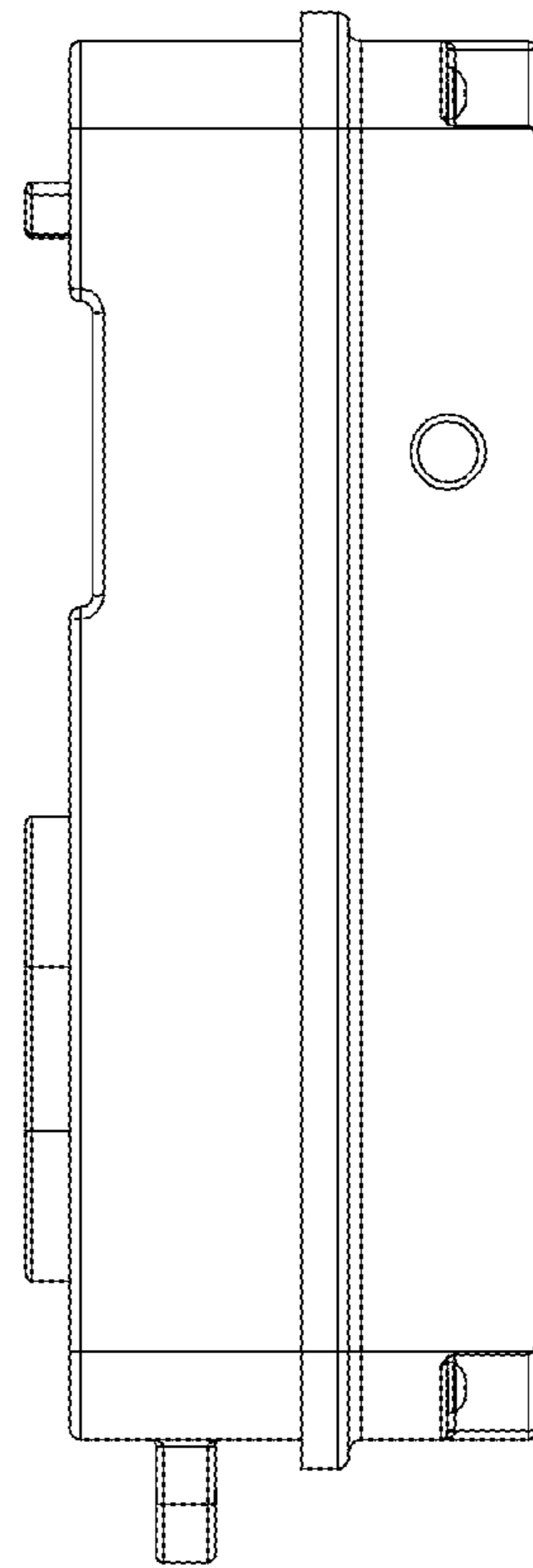


FIG. 2

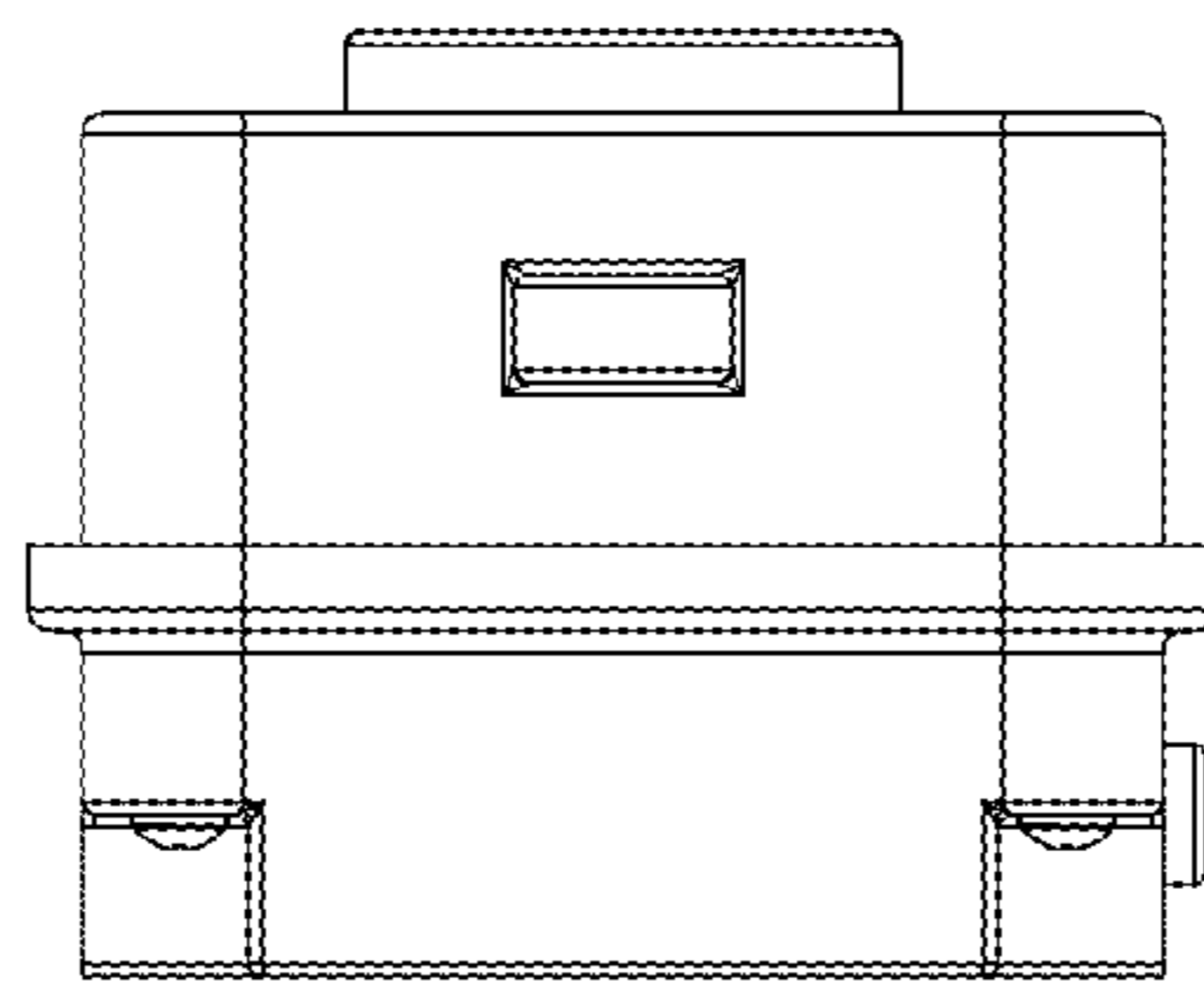


FIG. 5

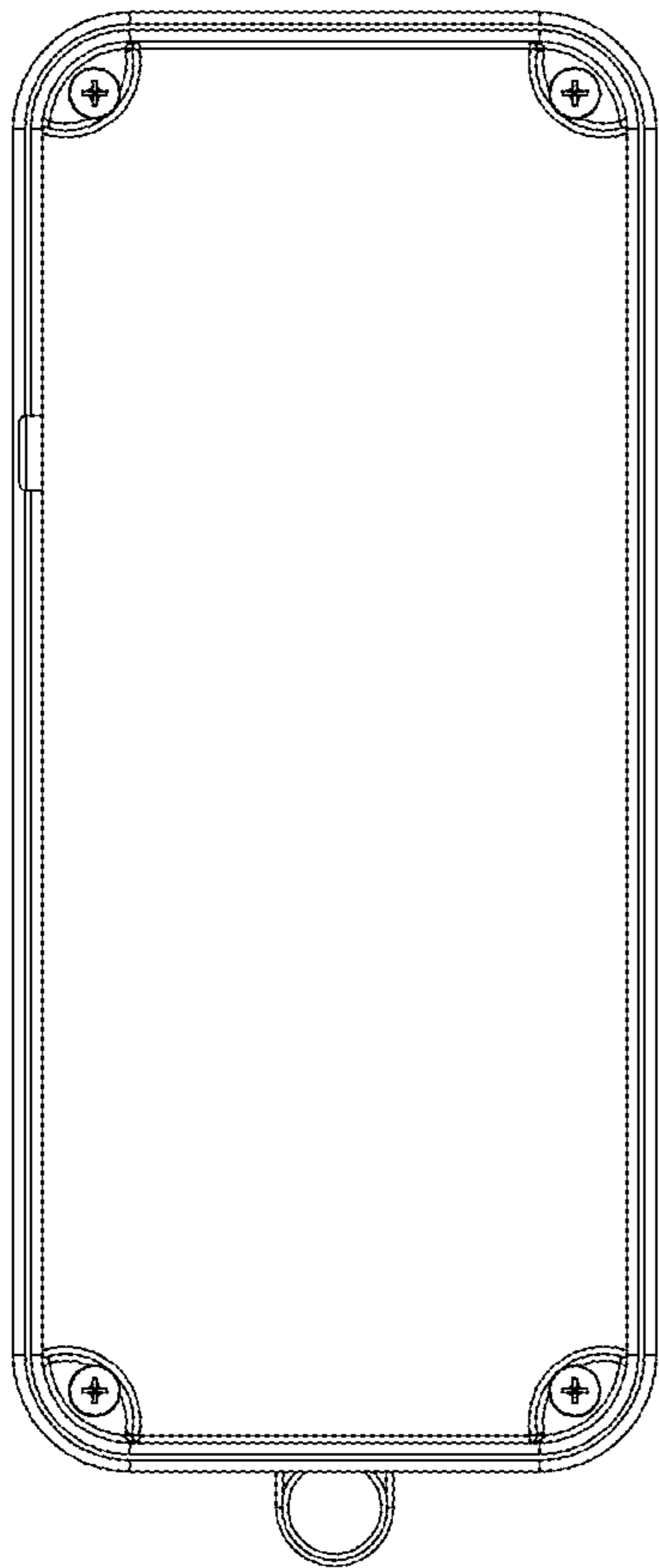


FIG. 6

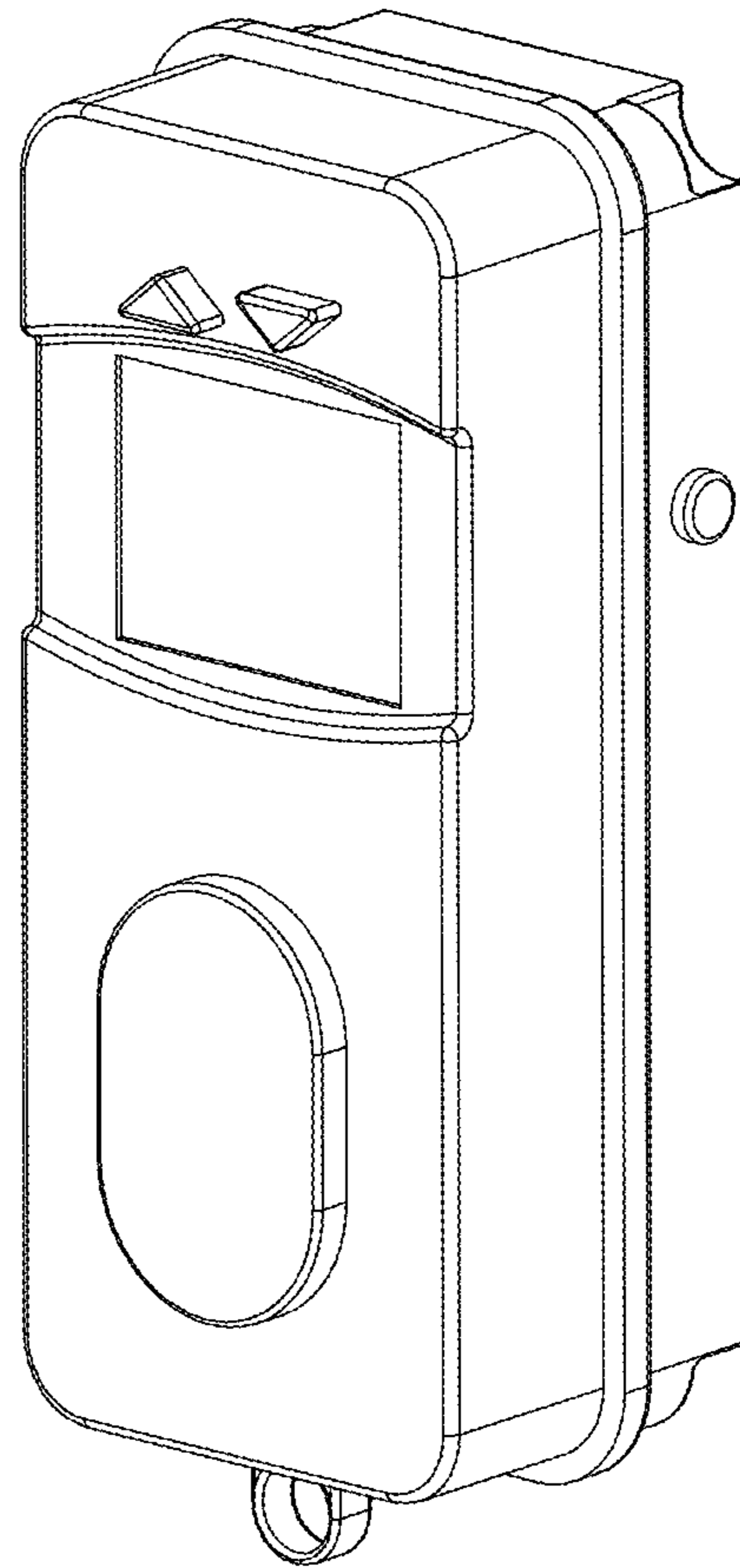


FIG. 7