



US00D949709S

(12) **United States Design Patent**  
**Yi**

(10) **Patent No.:** **US D949,709 S**

(45) **Date of Patent:** **\*\* Apr. 26, 2022**

(54) **ALARM CLOCK**

(71) Applicant: **Shenzhen Flashine Lighting Co., LTD.**, Shenzhen (CN)

(72) Inventor: **Shenhui Yi**, Shenzhen (CN)

(73) Assignee: **SHENZHEN FLASHINE LIGHTING CO., LTD.**, Shenzhen (CN)

(\*\*) Term: **15 Years**

(21) Appl. No.: **29/745,409**

(22) Filed: **Aug. 5, 2020**

(30) **Foreign Application Priority Data**

May 27, 2020 (CN) ..... 202030253176.4

(51) **LOC (13) Cl.** ..... **10-01**

(52) **U.S. Cl.**  
USPC ..... **D10/15; D10/2**

(58) **Field of Classification Search**

USPC ..... D10/1-4, 6, 15, 21-25, 27-29;  
D14/170-172, 203.1, 204

CPC ..... G04G 13/00; G04G 13/02; G04G 13/021;  
G04G 13/028; G04G 17/00; G04G 17/08;  
G04G 17/086; G04G 21/00; G04G 21/08

See application file for complete search history.

(56) **References Cited**

**U.S. PATENT DOCUMENTS**

D190,749 S \* 6/1961 Marti ..... D10/1  
D243,071 S \* 1/1977 Danz ..... D10/22

D247,741 S \* 4/1978 Danz ..... D10/23  
D356,509 S \* 3/1995 Ping ..... D10/23  
D460,920 S \* 7/2002 Kalman ..... D10/22  
D478,890 S \* 8/2003 Ng ..... D14/170  
D495,004 S \* 8/2004 Yuen ..... D10/2  
D525,880 S \* 8/2006 Okamura ..... D10/15  
D600,569 S \* 9/2009 Sadler ..... D10/15  
D640,142 S \* 6/2011 Bedol ..... D10/15  
D656,043 S \* 3/2012 Westerlund ..... D10/15  
D793,869 S \* 8/2017 Jeon ..... D10/2  
D797,575 S \* 9/2017 Lai ..... D10/22  
D892,076 S \* 8/2020 Wu ..... D14/204  
D925,810 S \* 7/2021 Yi ..... D26/110  
2021/0304744 A1 \* 9/2021 Pawar ..... G10L 15/22

\* cited by examiner

*Primary Examiner* — Katherine Glennon

(74) *Attorney, Agent, or Firm* — Cheng-Ju Chiang

(57) **CLAIM**

The ornamental design for an alarm clock, as shown and described.

**DESCRIPTION**

FIG. 1 is a front elevational view of an alarm clock showing my new design;

FIG. 2 is a rear elevational view thereof;

FIG. 3 is a left side elevational view thereof;

FIG. 4 is a right side elevational view thereof;

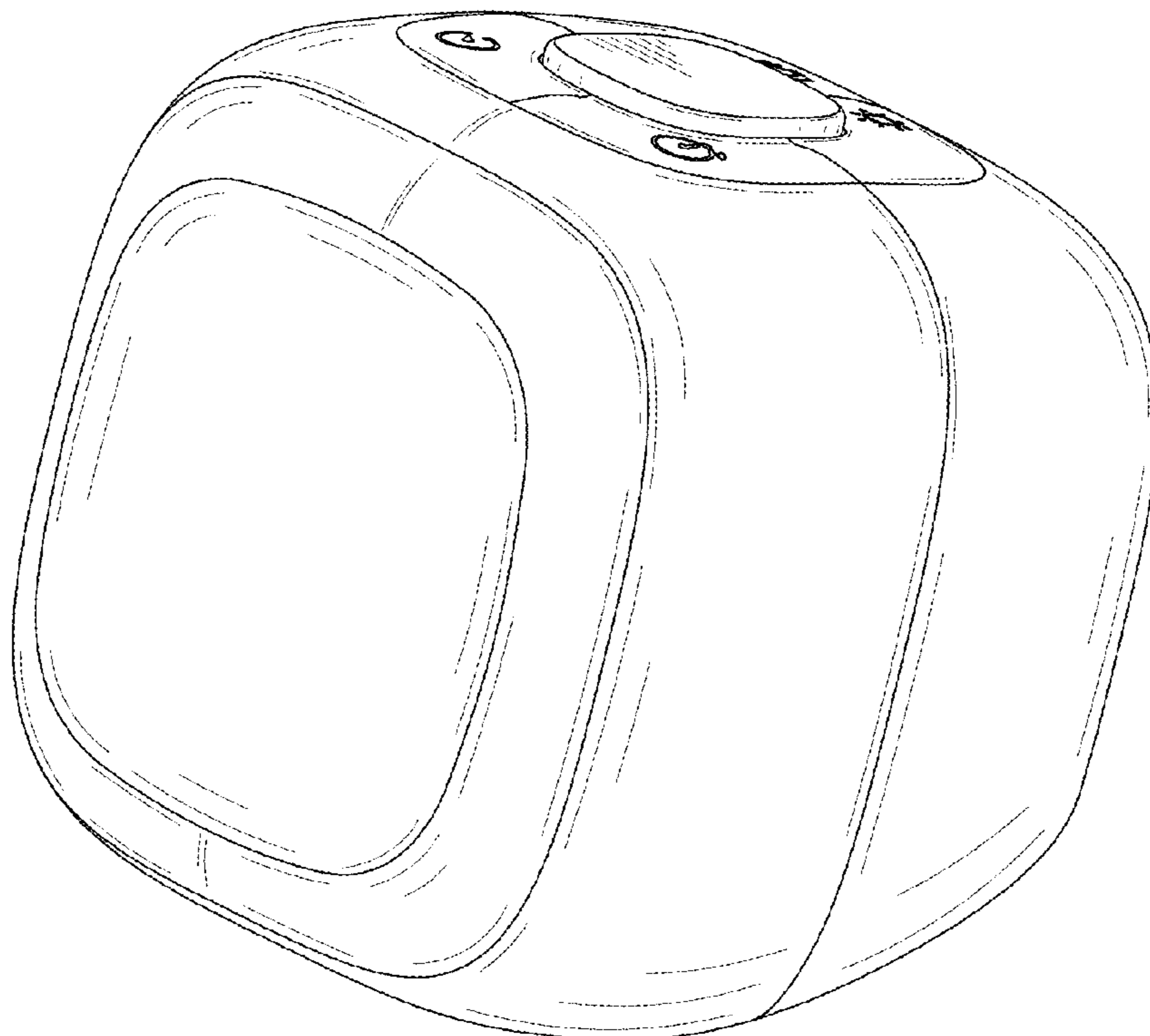
FIG. 5 is a top plan view thereof;

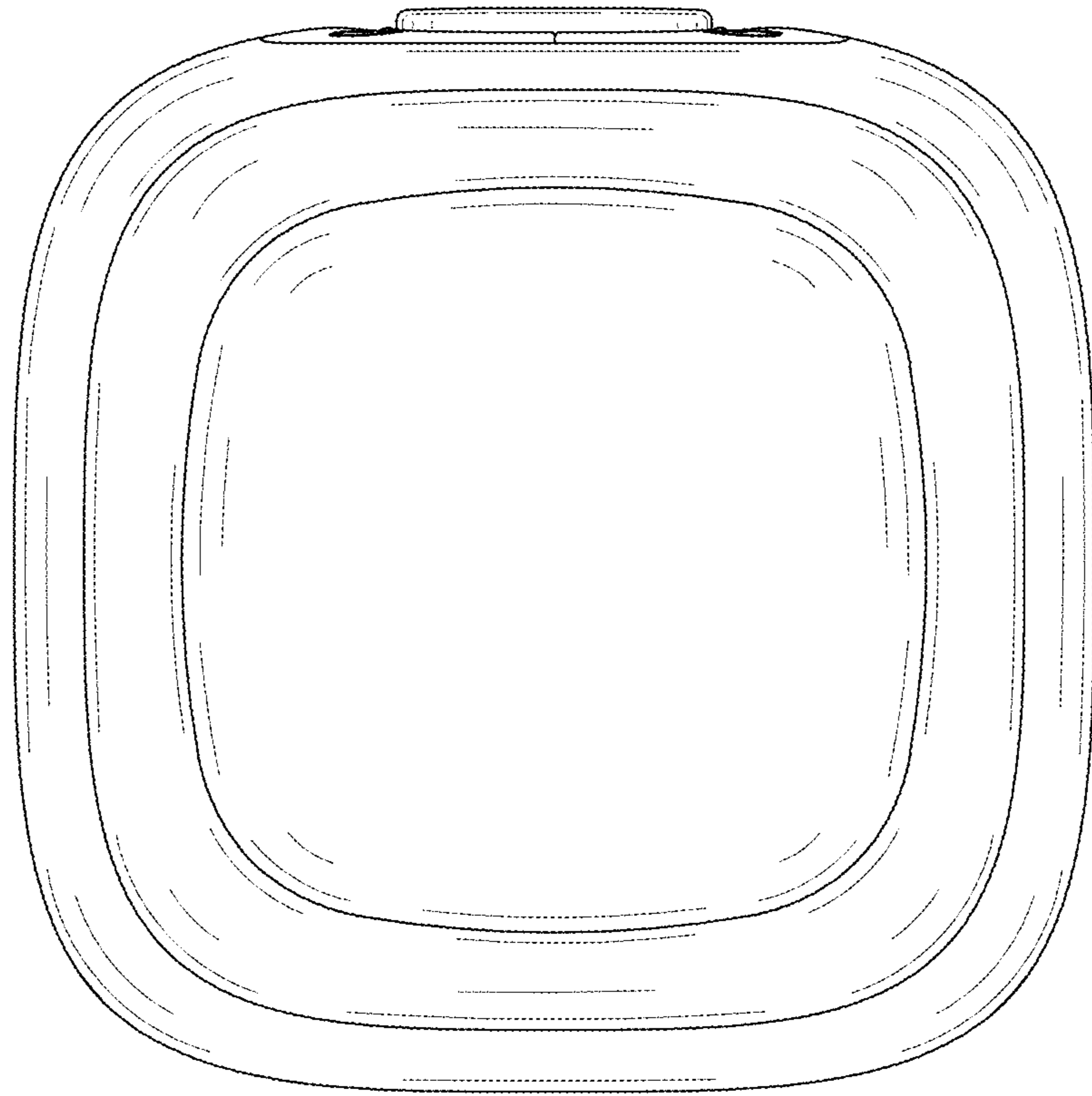
FIG. 6 is a bottom plan view thereof;

FIG. 7 is a first perspective view thereof shown; and,

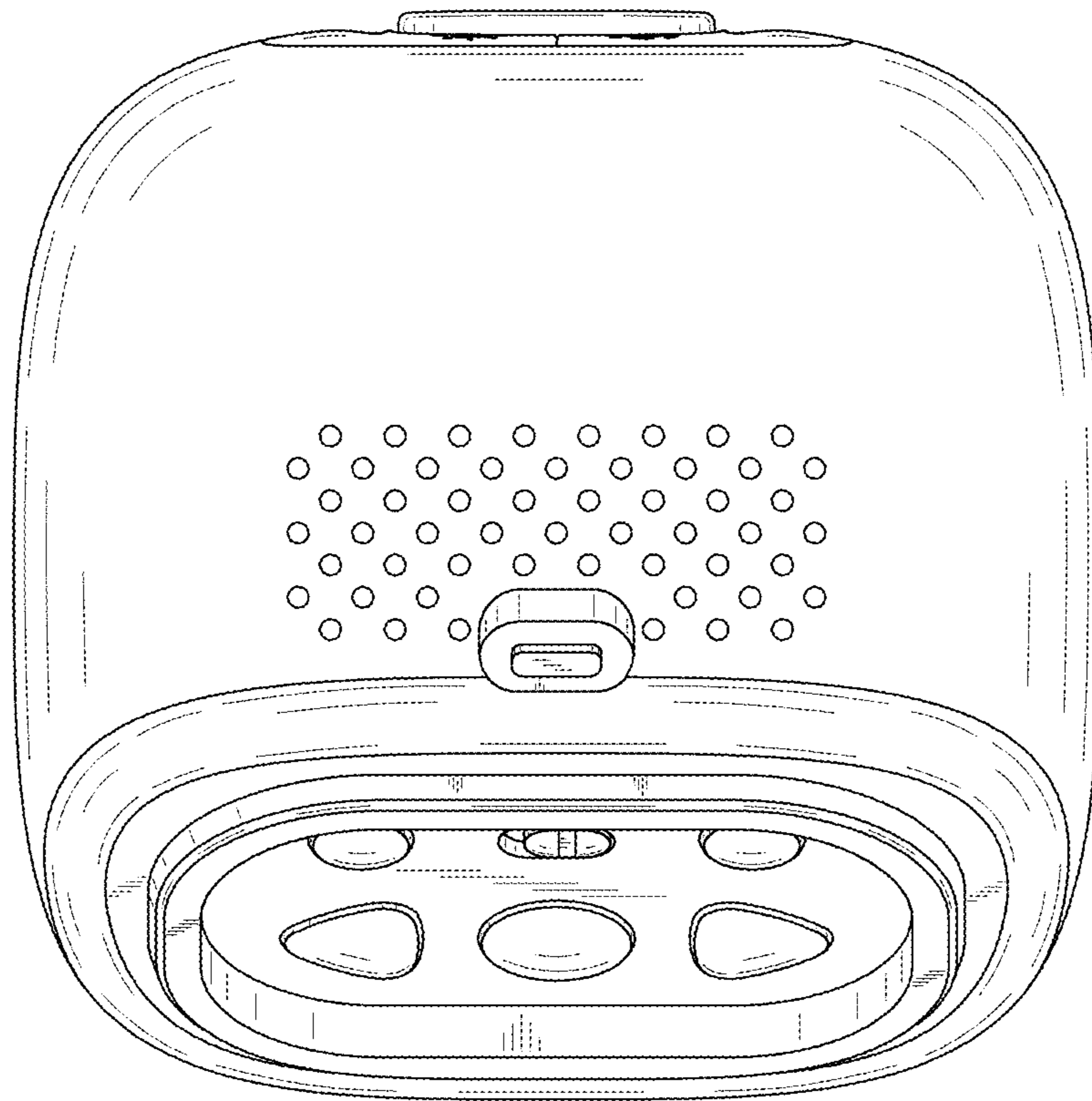
FIG. 8 is a second perspective view thereof shown.

**1 Claim, 7 Drawing Sheets**

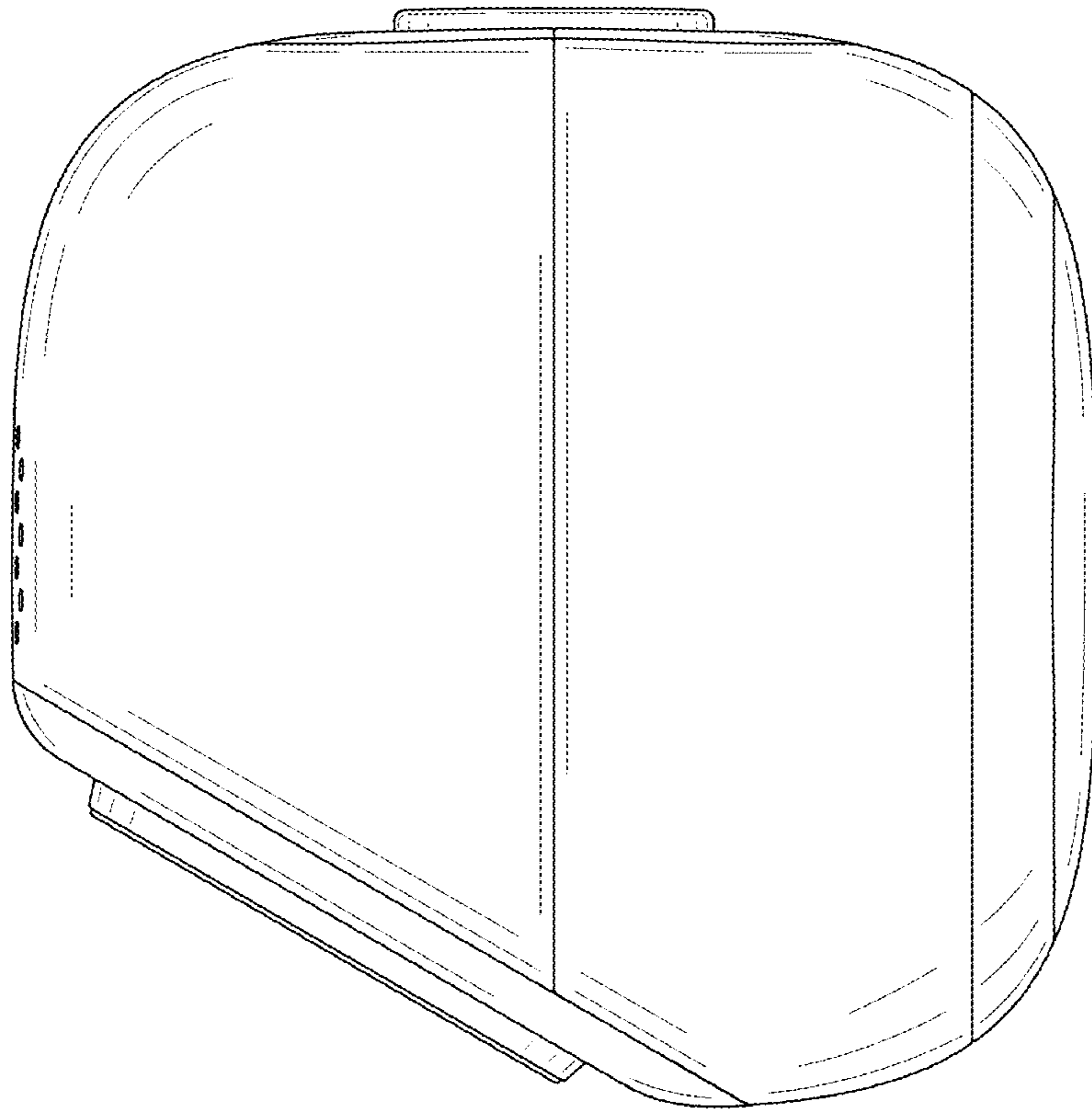




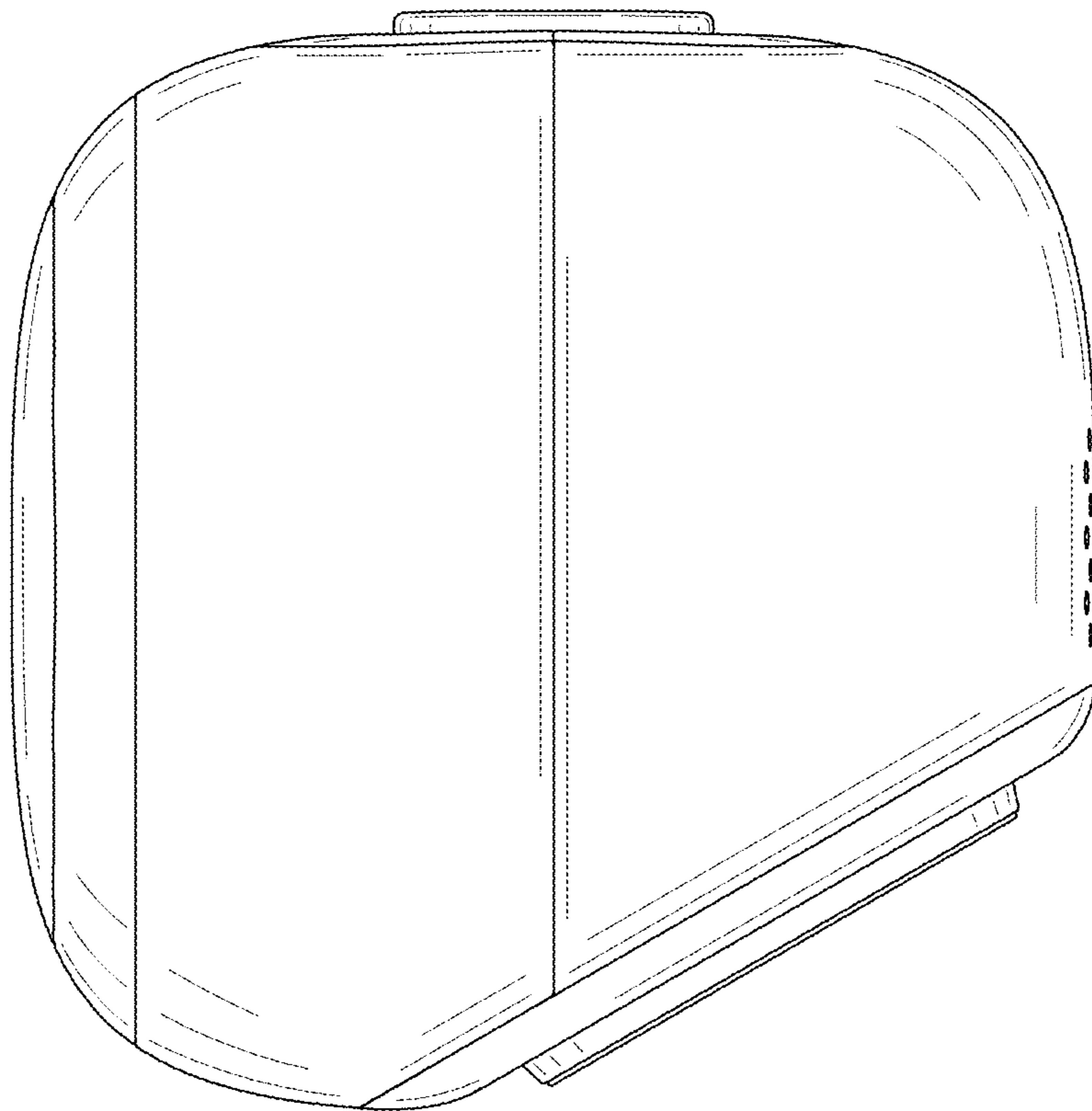
**FIG.1**



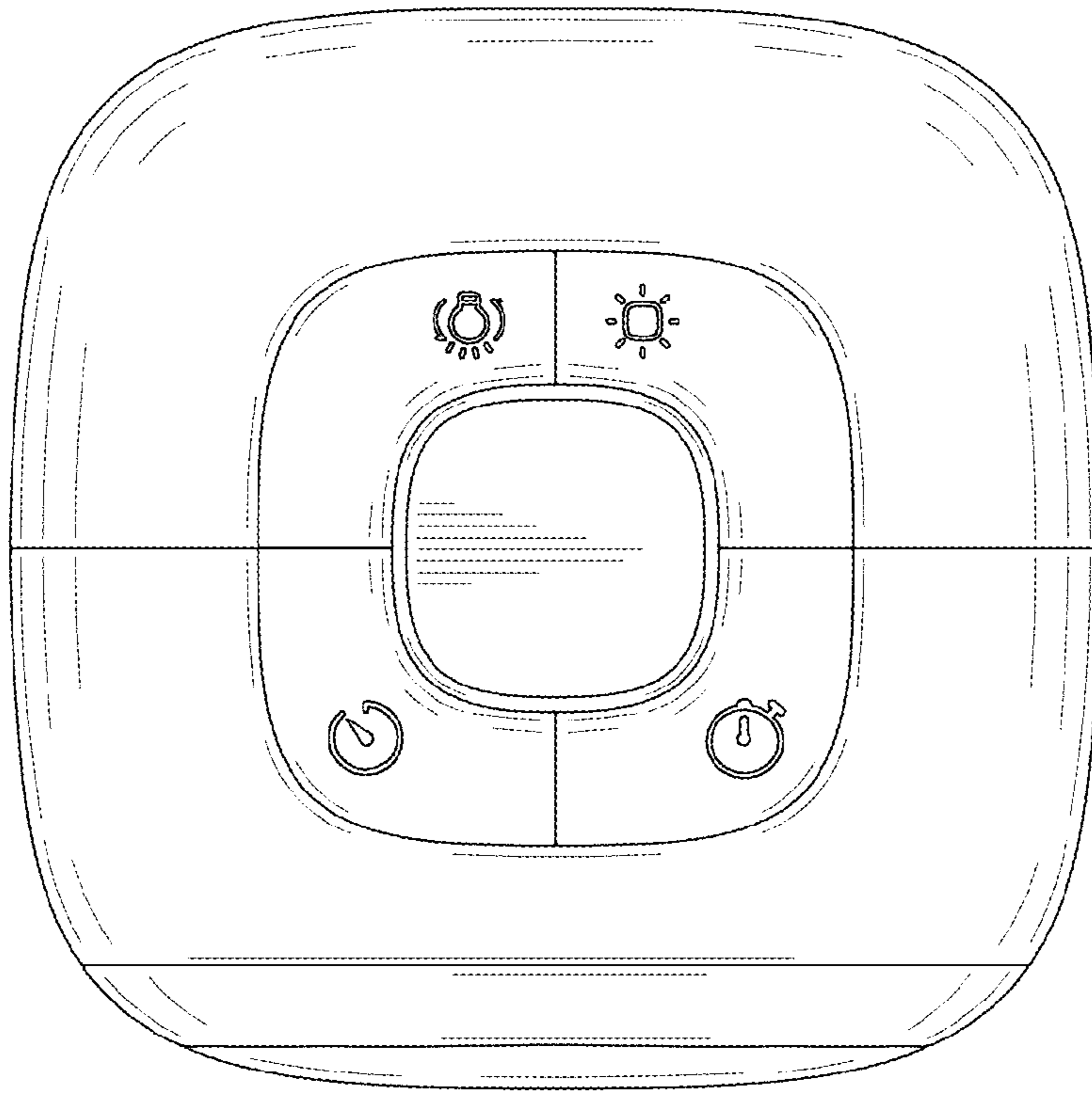
**FIG.2**



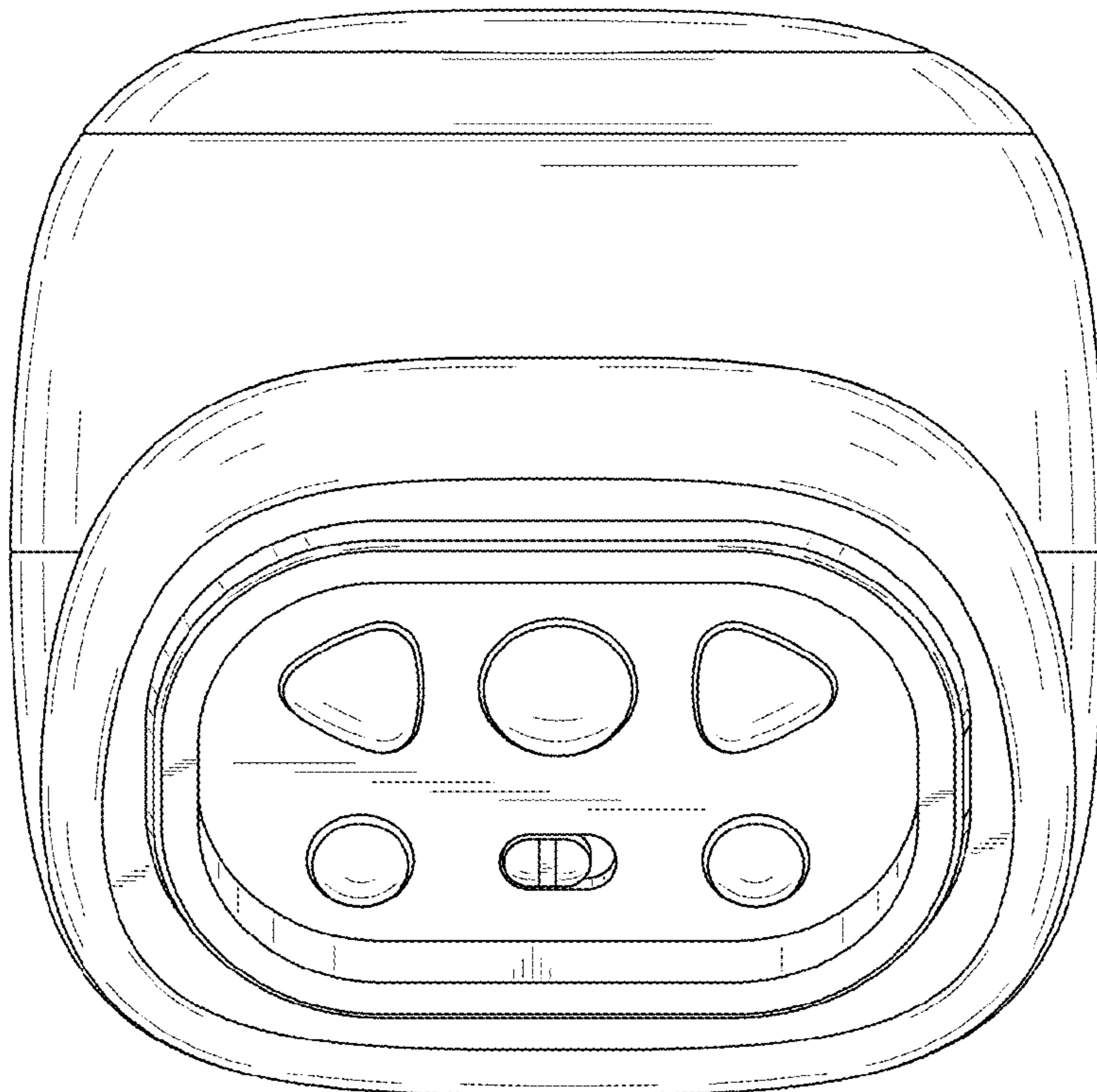
**FIG.3**



**FIG.4**



**FIG. 5**



**FIG. 6**

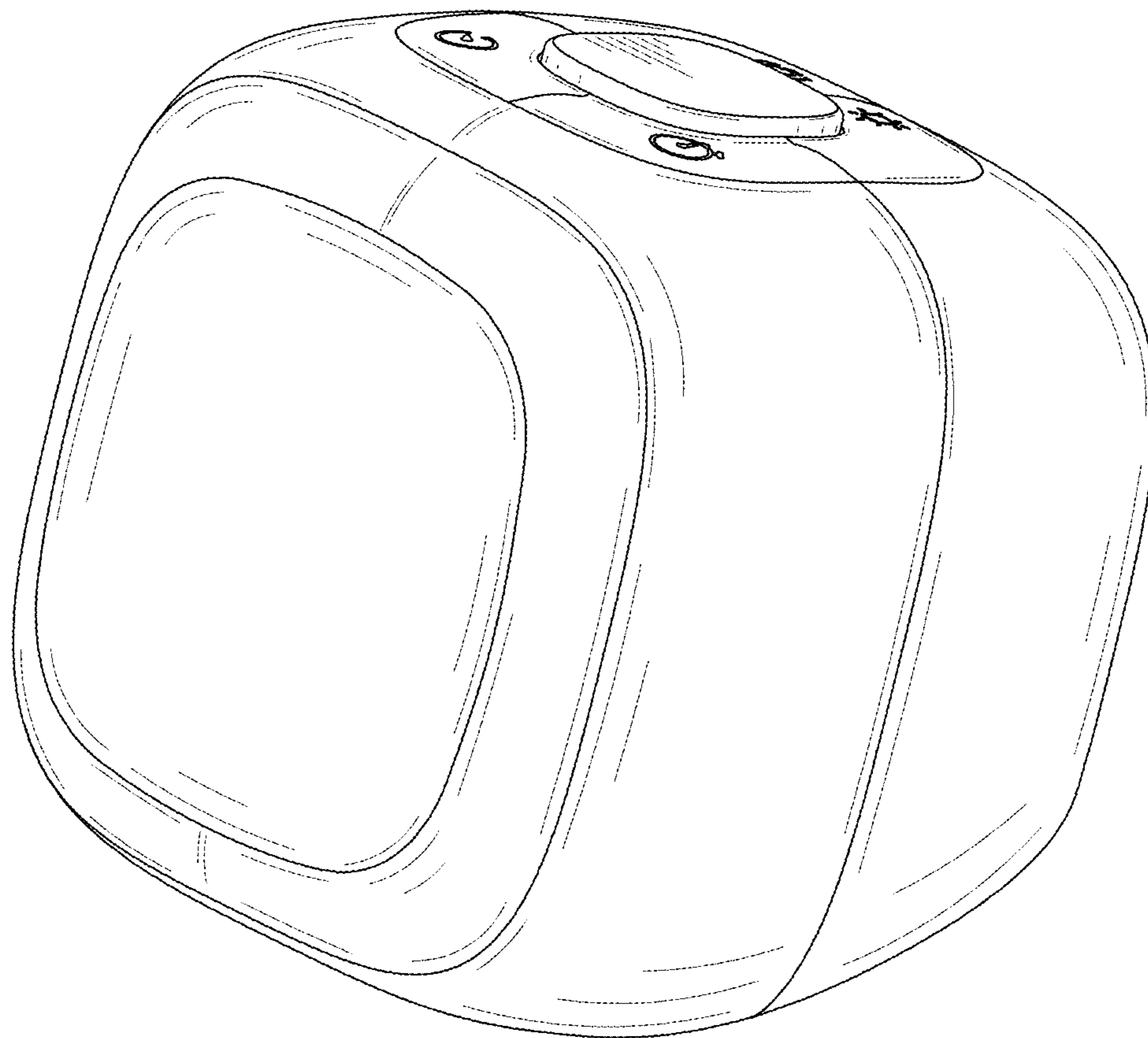


FIG. 7

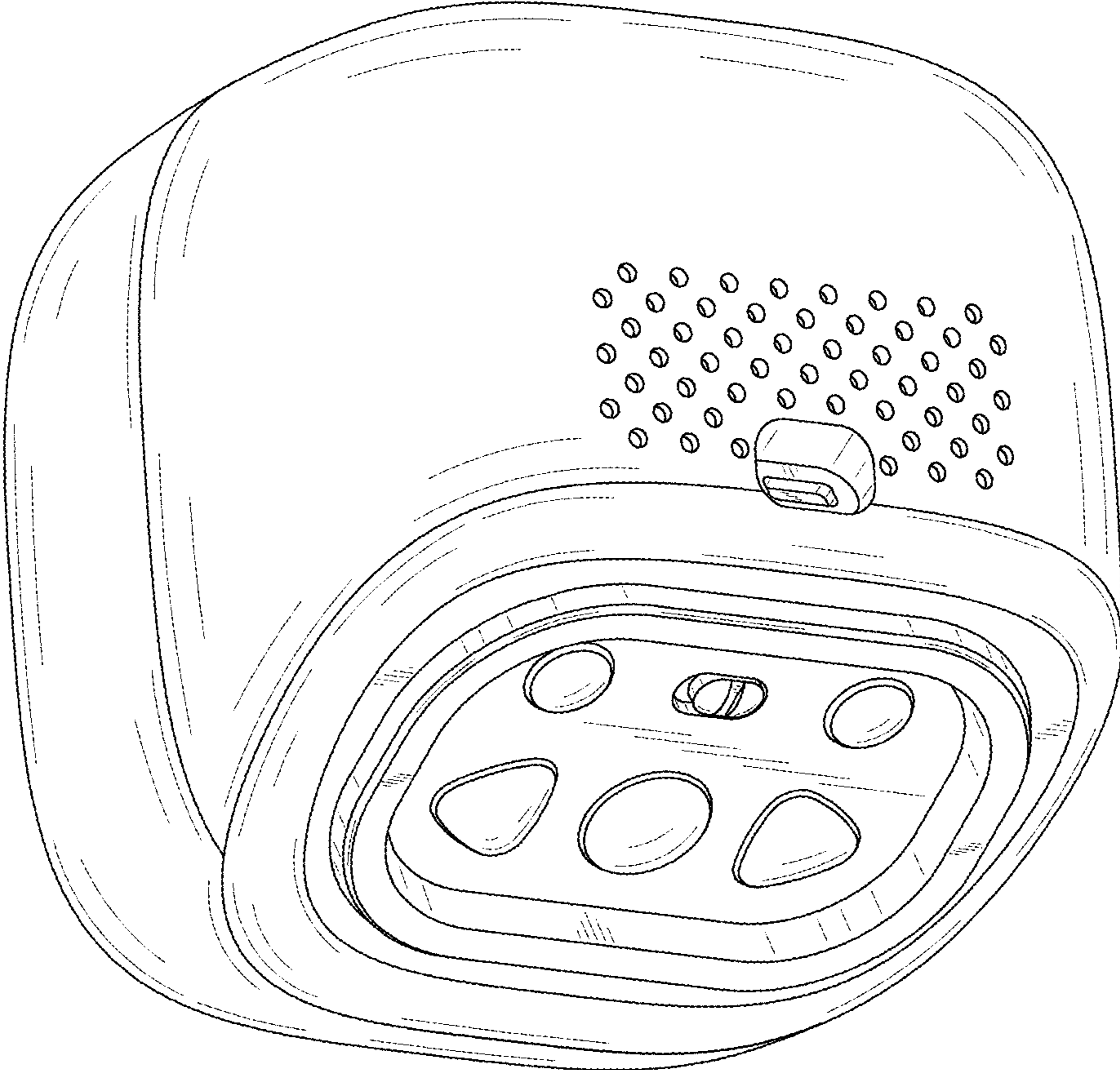


FIG.8