



US00D949696S

(12) **United States Design Patent** (10) **Patent No.:** **US D949,696 S**  
**Borrero et al.** (45) **Date of Patent:** **\*\* Apr. 26, 2022**

- (54) **PACKAGE** 5,348,157 A \* 9/1994 Pozzo ..... B65D 81/052  
206/522
- (71) Applicant: **The Procter & Gamble Company,** D361,846 S 8/1995 Tekannon  
Cincinnati, OH (US) 5,588,533 A \* 12/1996 Farison ..... B65D 81/052  
206/522
- (72) Inventors: **Susana E Borrero,** Mason, OH (US); D384,585 S 10/1997 Swarr  
**Benjamin G Hesford,** Hamilton, OH 6,410,119 B1 \* 6/2002 De Luca ..... B31D 5/0073  
(US); **Jun You,** West Chester, OH (US); 206/522  
**Stephen Michael Truesdell,** Liberty  
Township, OH (US) D480,646 S \* 10/2003 Borchard ..... D9/456  
D480,971 S \* 10/2003 DeLuca ..... D9/456  
D490,711 S \* 6/2004 DeLuca ..... D9/456  
D512,311 S \* 12/2005 DeLuca ..... D9/456  
D513,182 S \* 12/2005 DeLuca ..... D9/456  
D584,621 S 1/2009 Jean  
(73) Assignee: **The Procter & Gamble Company,** 8,936,156 B1 \* 1/2015 Tschantz ..... B65D 81/052  
Cincinnati, OH (US) 206/522
- (\*\*) Term: **15 Years** (Continued)

- (21) Appl. No.: **29/711,291**
- (22) Filed: **Oct. 30, 2019**
- (51) **LOC (13) Cl.** ..... **09-07**
- (52) **U.S. Cl.**  
USPC ..... **D9/456**
- (58) **Field of Classification Search**  
USPC ..... D9/414, 416, 419, 434, 455, 456, 457,  
D9/499, 501, 517, 739; D6/512, 513;  
D19/32, 75, 91, 102, 113, 114; D20/19;  
D3/318, 319  
CPC ..... A47F 1/00; A47F 3/00; A47F 3/14; A47F  
3/142; A47F 5/10; A47F 5/11; A47F  
5/112; A47F 5/114; A47F 7/14; A63F  
1/10; B42D 5/00; B42D 5/04; B42D  
5/043; B65D 5/00; B65D 5/52; B65D  
5/5206; G10G 5/00  
See application file for complete search history.

- (56) **References Cited**  
U.S. PATENT DOCUMENTS  
1,457,496 A \* 6/1923 Butler ..... B65D 81/052  
206/522  
4,127,192 A 11/1978 Card  
4,551,379 A \* 11/1985 Kerr ..... B31D 5/0073  
428/200

OTHER PUBLICATIONS

All Office Actions; U.S. Appl. No. 29/711,288.

(Continued)

*Primary Examiner* — Wendy L Arminio

(74) *Attorney, Agent, or Firm* — James E Oehlenschlager;  
David M Weirich

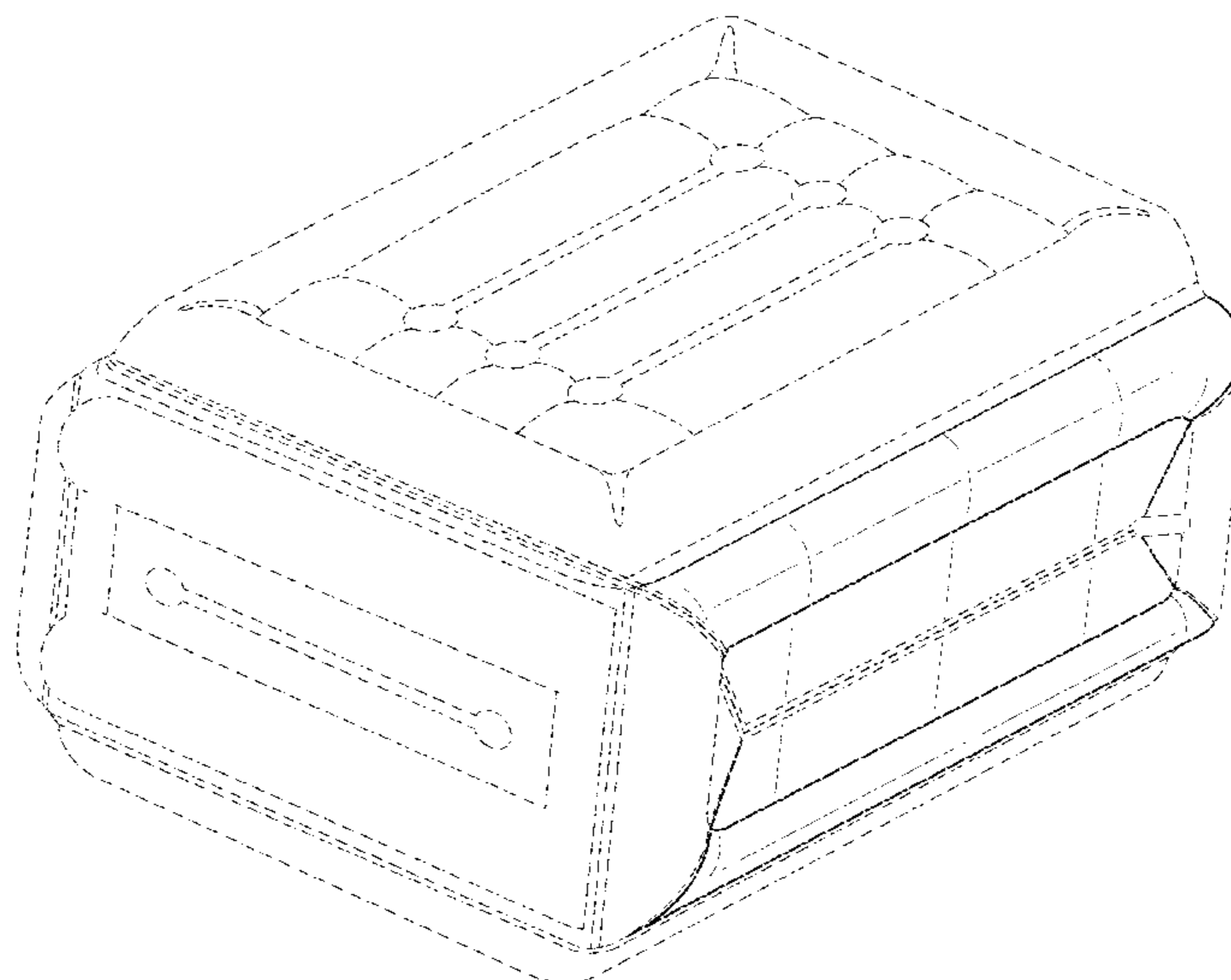
(57) **CLAIM**

The ornamental design for a package, as shown and described.

**DESCRIPTION**

FIG. 1 is a perspective view of a package;  
FIG. 2 is a front view of the package;  
FIG. 3 is a right side view of the package;  
FIG. 4 is a back view of the package;  
FIG. 5 is a left side view of the package;  
FIG. 6 is a top view of the package; and,  
FIG. 7 is a bottom view of the package.  
The broken lines depict portions of the package that form no part of the claimed design.

**1 Claim, 4 Drawing Sheets**



(56)

**References Cited**

U.S. PATENT DOCUMENTS

D761,646	S *	7/2016	Smith	.....	D9/414
D775,956	S *	1/2017	Ye	.....	D9/456
D798,717	S *	10/2017	Rapp	.....	D9/499
D803,057	S *	11/2017	Malone	.....	D9/456
11,104,486	B2 *	8/2021	Yamamoto	.....	B65D 33/24
2014/0348445	A1 *	11/2014	Siesto Casanova	...	B65D 75/30 383/99
2017/0021990	A1 *	1/2017	Tschantz	.....	B65D 81/052
2021/0171263	A1 *	6/2021	Martin	.....	B65D 81/052
2021/0276782	A1 *	9/2021	Leiberman	.....	B65D 81/052
2021/0284420	A1 *	9/2021	Borrero	.....	B65D 81/03

OTHER PUBLICATIONS

All Office Actions; U.S. Appl. No. 29/711,289.  
 All Office Actions; U.S. Appl. No. 29/711,290.  
 All Office Actions; U.S. Appl. No. 29/711,292.  
 All Office Actions; U.S. Appl. No. 29/711,293.  
 U.S. Appl. No. 16/516,173, filed Jul. 18, 2019, Susana E Borrero et al.  
 U.S. Appl. No. 16/515,887, filed Jul. 18, 2019, Susana E Borrero et al.

U.S. Appl. No. 16/515,507, filed Jul. 18, 2019, Susana E Borrero et al.  
 U.S. Appl. No. 16/515,537, filed Jul. 18, 2019, Susana E Borrero et al.  
 U.S. Appl. No. 16/515,416, filed Jul. 18, 2019, Joseph Craig Lester et al.  
 U.S. Appl. No. 16/516,175, filed Jul. 18, 2019, Benjamin Jacob Clare et al.  
 U.S. Appl. No. 16/515,317, filed Jul. 18, 2019, Susana E Borrero et al.  
 U.S. Appl. No. 16/515,365, filed Jul. 18, 2019, Susana E Borrero et al.  
 U.S. Appl. No. 16/515,331, filed Jul. 18, 2019, Susana E Borrero et al.  
 U.S. Appl. No. 29/711,288, filed Oct. 30, 2019, Susana E Borrero et al.  
 U.S. Appl. No. 29/711,289, filed Oct. 30, 2019, Susana E Borrero et al.  
 U.S. Appl. No. 29/711,290, filed Oct. 30, 2019, Susana E Borrero et al.  
 U.S. Appl. No. 29/711,292, filed Oct. 30, 2019, Susana E Borrero et al.  
 U.S. Appl. No. 29/711,293, filed Oct. 30, 2019, Susana E Borrero et al.

\* cited by examiner

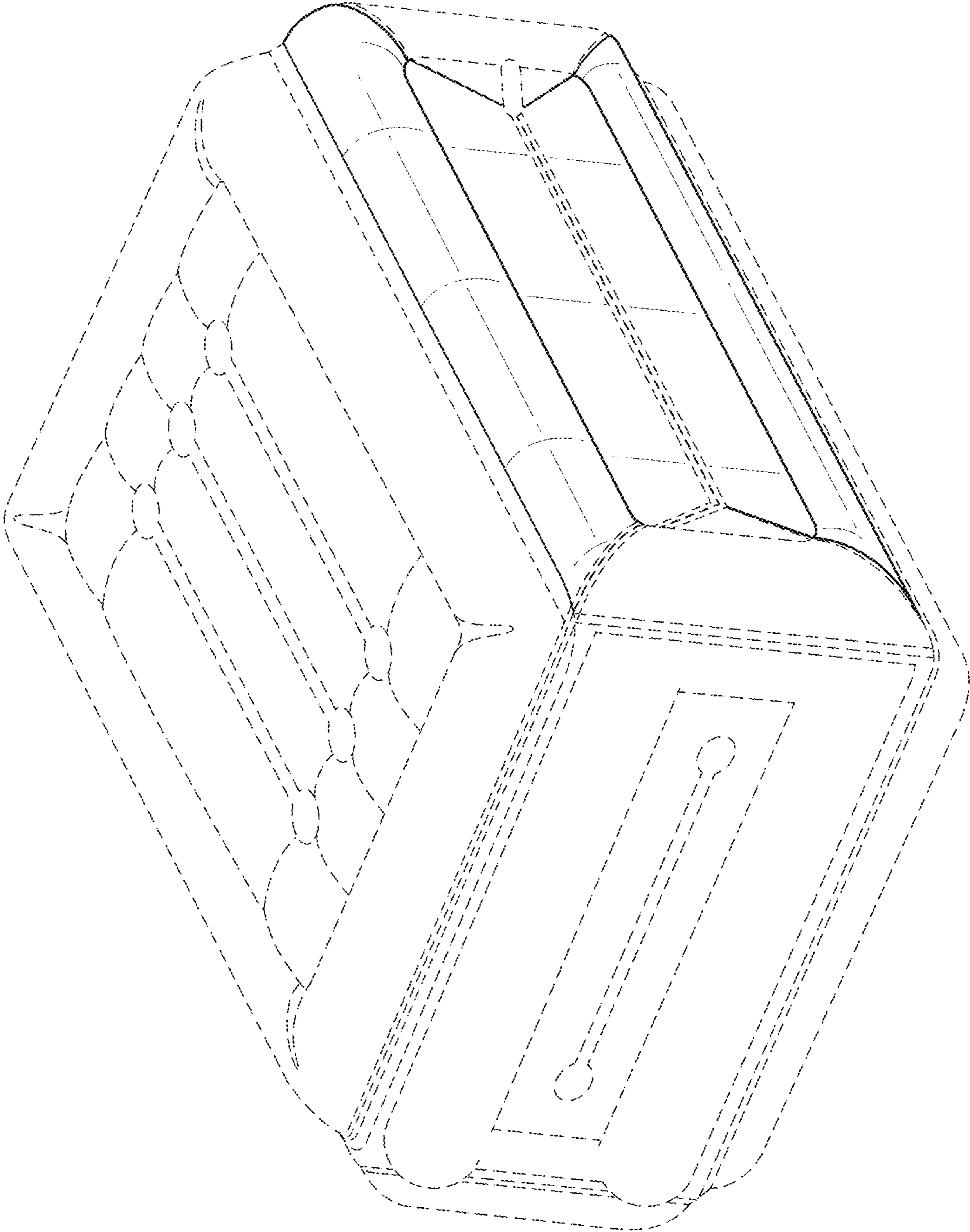


FIG. 1

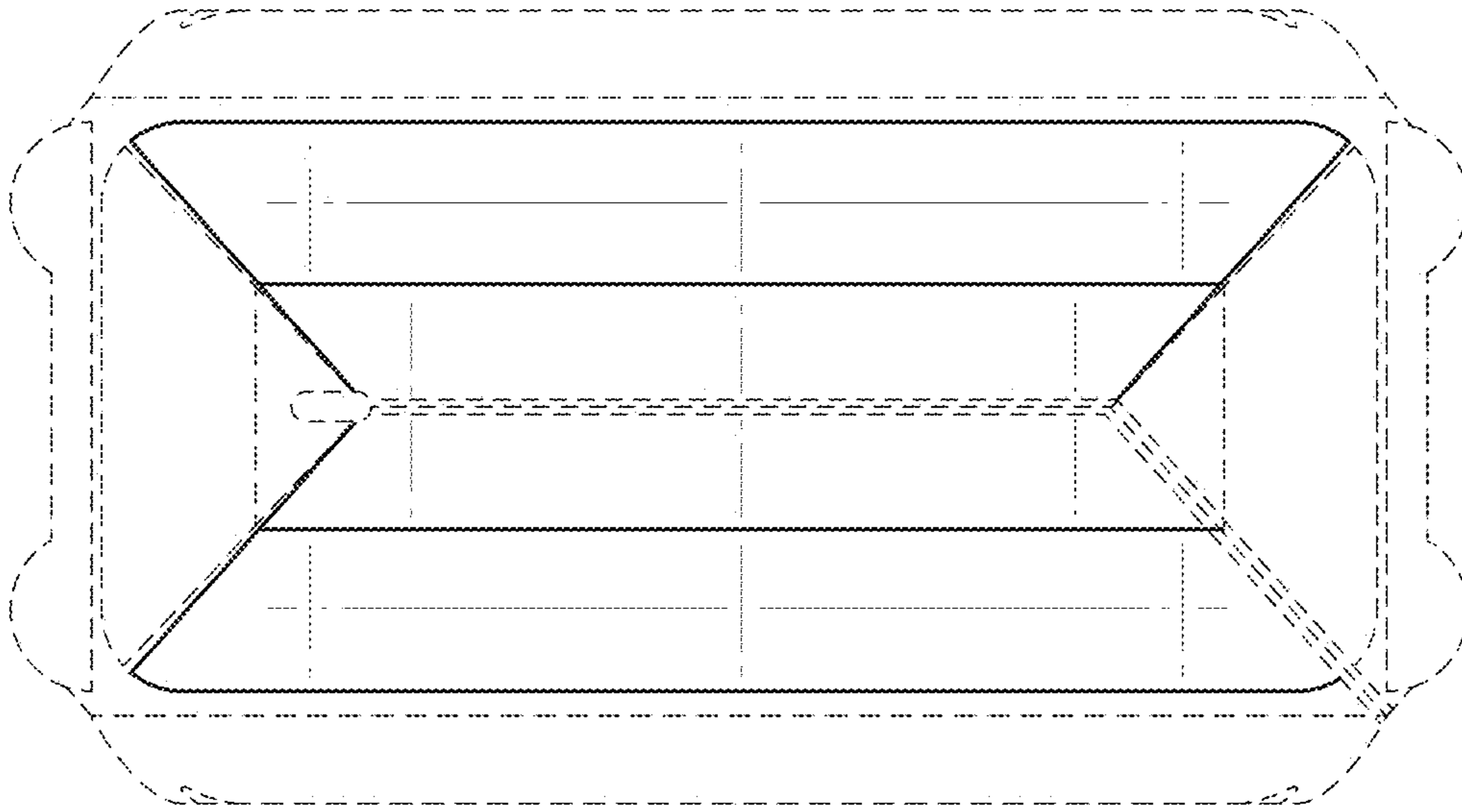


FIG. 3

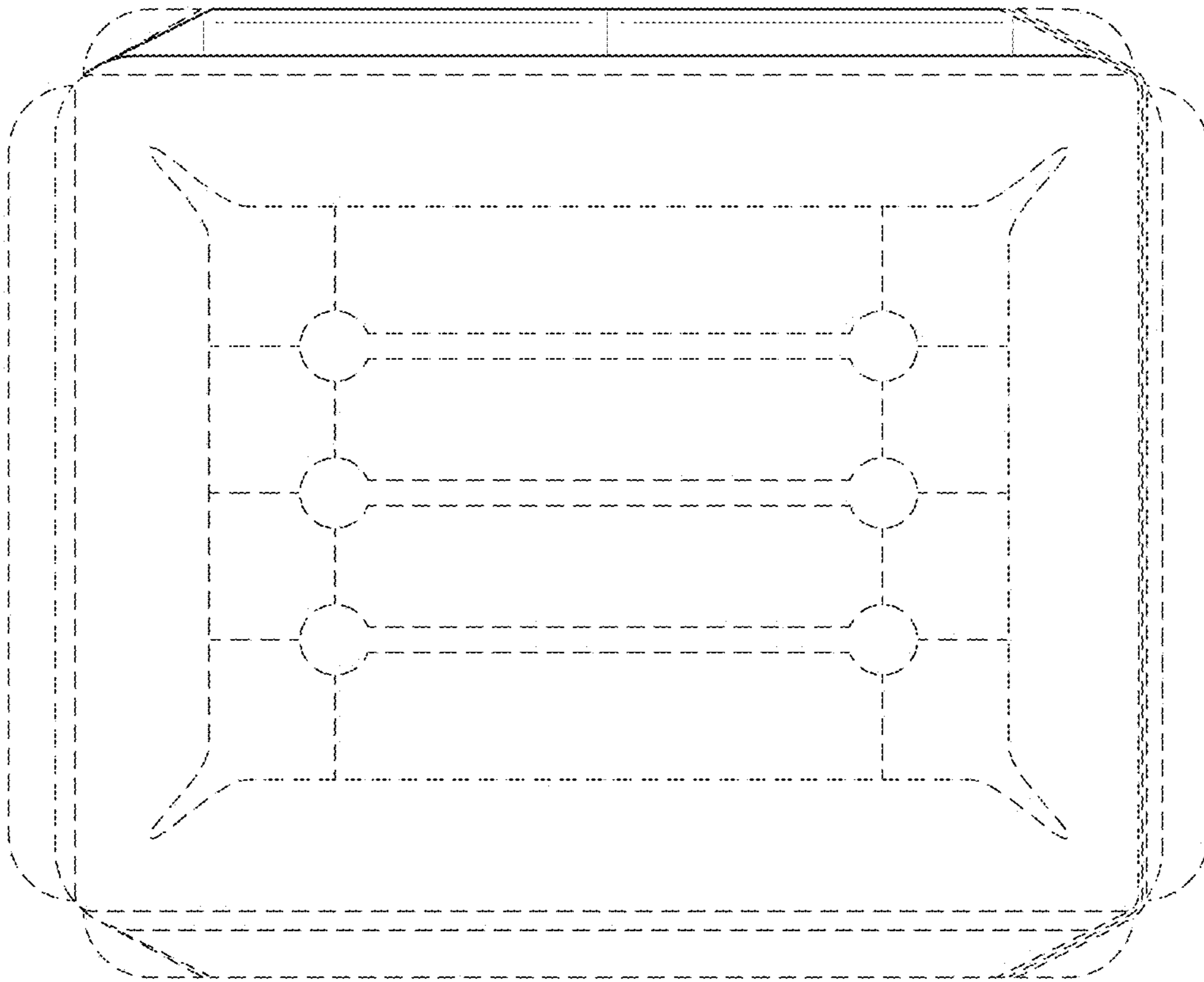


FIG. 2

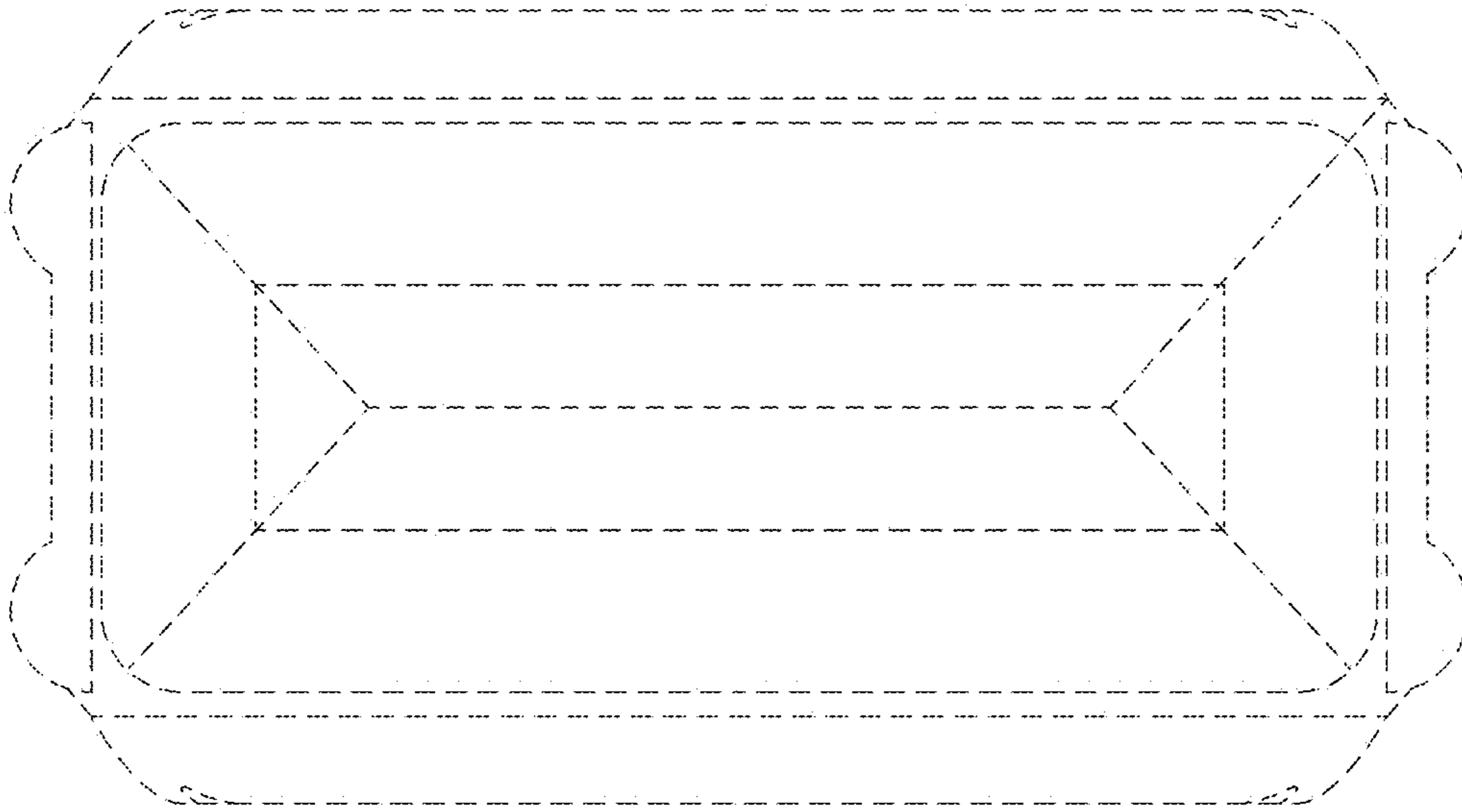


FIG. 5

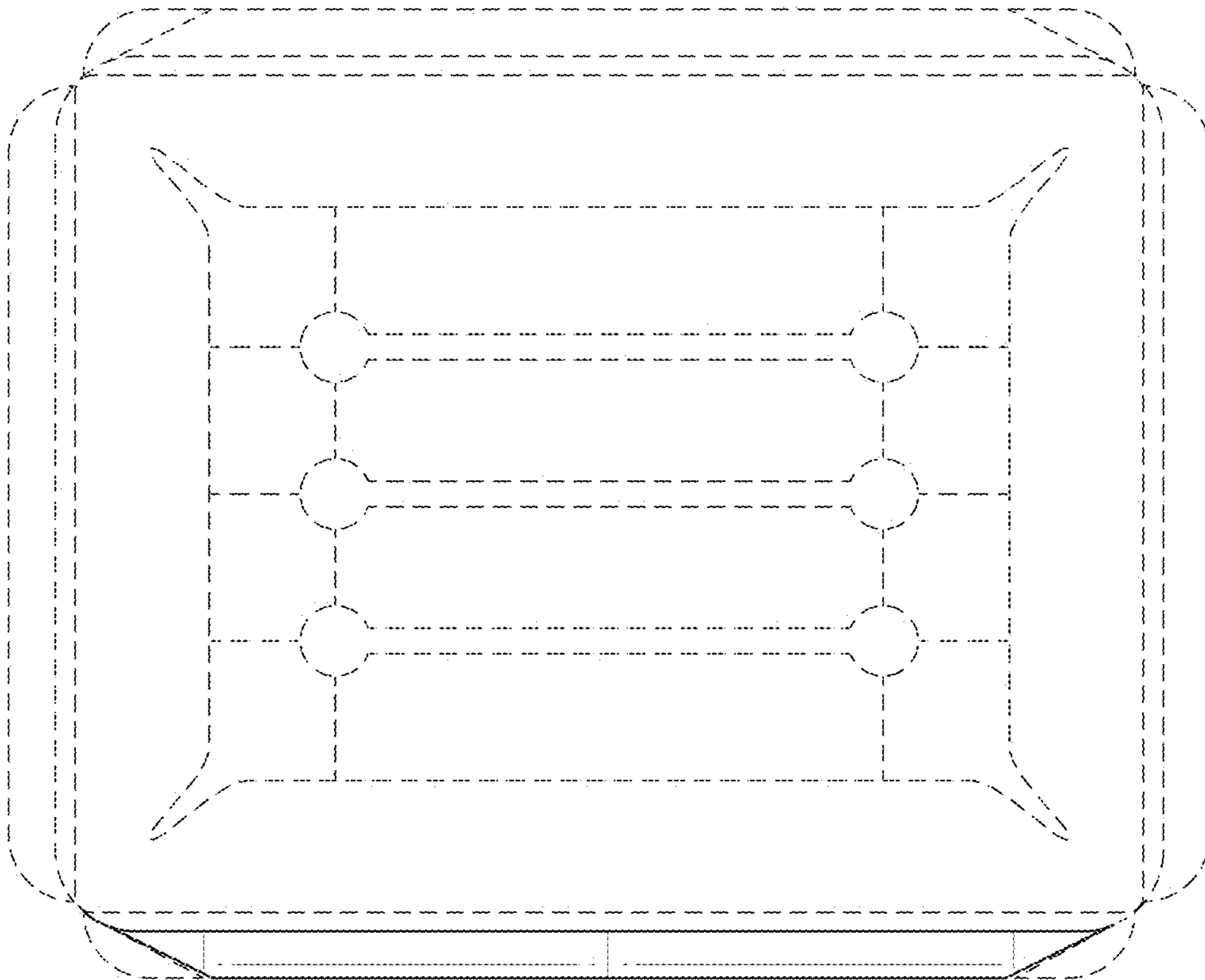


FIG. 4

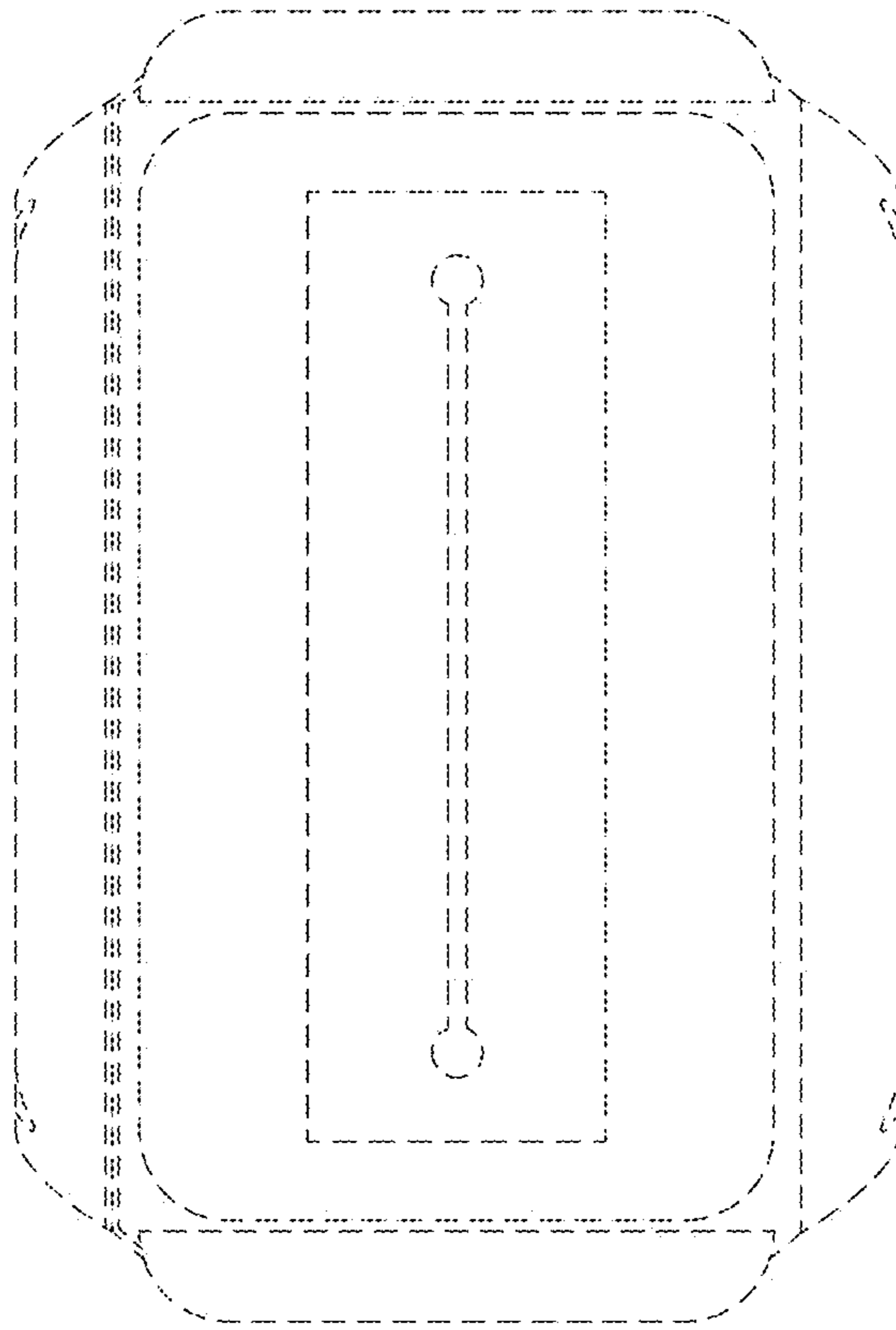


FIG. 7

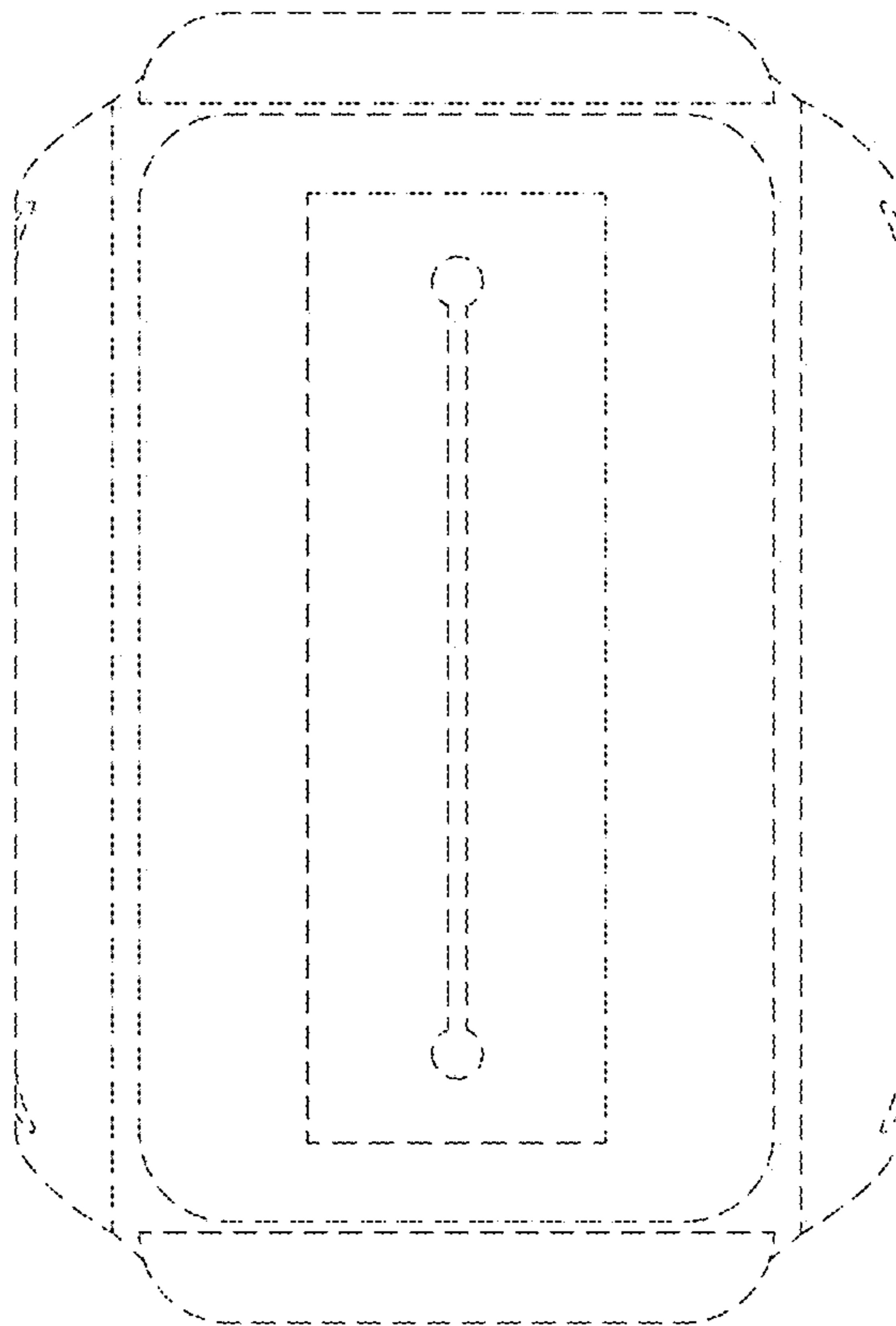


FIG. 6