

US00D949695S

(12) **United States Design Patent**
Borrero et al.

(10) **Patent No.:** **US D949,695 S**
(45) **Date of Patent:** **** Apr. 26, 2022**

- (54) **PACKAGE**
- (71) Applicant: **The Procter & Gamble Company**,
Cincinnati, OH (US)
- (72) Inventors: **Susana E Borrero**, Mason, OH (US);
Benjamin G Hesford, Hamilton, OH
(US); **Jun You**, West Chester, OH (US);
Stephen Michael Truesdell, Liberty
Township, OH (US)
- (73) Assignee: **The Procter & Gamble Company**,
Cincinnati, OH (US)

- 4,551,379 A * 11/1985 Kerr B31D 5/0073
428/200
- 5,348,157 A * 9/1994 Pozzo B65D 81/052
206/522
- D361,846 S * 8/1995 Te’Kannon D6/300
- 5,588,533 A * 12/1996 Farison B65D 81/052
206/522
- D384,585 S * 10/1997 Swarr D9/456
- 6,410,119 B1 * 6/2002 De Luca B31D 5/0073
206/522
- D480,646 S * 10/2003 Borchard D9/456
- D480,971 S * 10/2003 DeLuca D9/456
- D490,711 S * 6/2004 DeLuca D9/456
- D512,311 S * 12/2005 DeLuca D9/456
- D513,182 S * 12/2005 DeLuca D9/456

(Continued)

(**) Term: **15 Years**

(21) Appl. No.: **29/711,290**

(22) Filed: **Oct. 30, 2019**

(51) **LOC (13) Cl.** **09-07**

(52) **U.S. Cl.**
USPC **D9/456**

(58) **Field of Classification Search**
USPC D9/414, 416, 419, 434, 455, 456, 457,
D9/499, 501, 517, 739; D6/512, 513;
D19/32, 75, 91, 102, 113, 114; D20/19;
D3/318, 319
CPC A47F 1/00; A47F 3/00; A47F 3/14; A47F
3/142; A47F 5/10; A47F 5/11; A47F
5/112; A47F 5/114; A47F 7/14; A63F
1/10; B42D 5/00; B42D 5/04; B42D
5/043; B65D 5/00; B65D 5/52; B65D
5/5206; G10G 5/00
See application file for complete search history.

(56) **References Cited**

U.S. PATENT DOCUMENTS

- 1,457,496 A * 6/1923 Butler B65D 81/052
206/522
- 4,127,192 A * 11/1978 Card B65D 81/057
D9/456

OTHER PUBLICATIONS

U.S. Appl. No. 16/516,173, filed Jul. 18, 2019, Susana E Borrero et al.

(Continued)

Primary Examiner — Wendy L Arminio

(74) *Attorney, Agent, or Firm* — James E Oehlenschlager;
David M Weirich

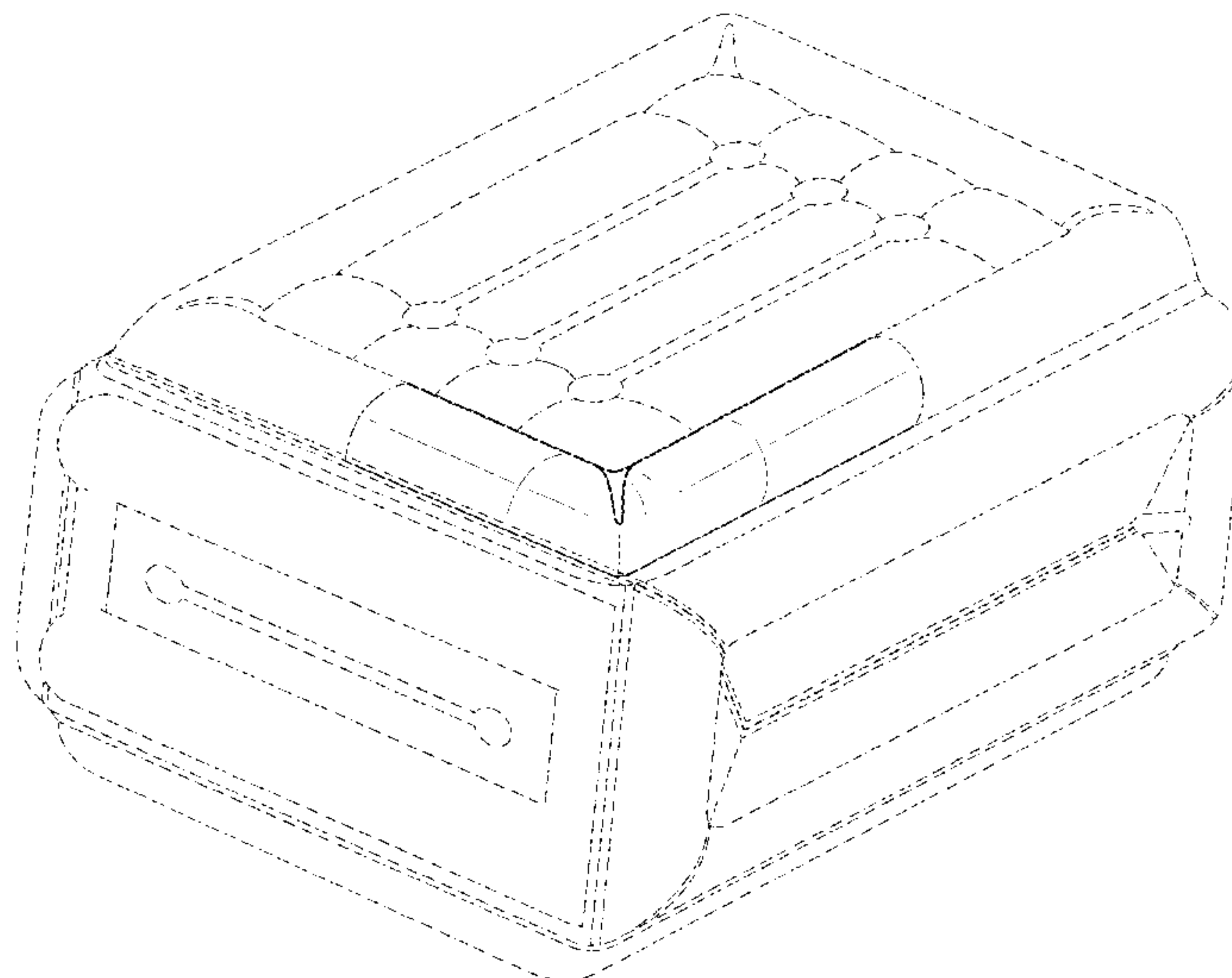
(57) **CLAIM**

The ornamental design for a package, as shown and described.

DESCRIPTION

FIG. 1 is a perspective view of a package;
FIG. 2 is a front view of the package;
FIG. 3 is a right side view of the package;
FIG. 4 is a back view of the package;
FIG. 5 is a left side view of the package;
FIG. 6 is a top view of the package; and,
FIG. 7 is a bottom view of the package.
The dash-dot-dash broken lines depict the boundaries of the claim. All other broken lines depict portions of the package that form no part of the claimed design.

1 Claim, 4 Drawing Sheets



(56)

References Cited

U.S. PATENT DOCUMENTS

D584,621	S *	1/2009	Jean	D9/456
8,936,156	B1 *	1/2015	Tschantz	B65D 81/052
					206/522
D761,646	S *	7/2016	Smith	D9/414
D775,956	S *	1/2017	Ye	D9/456
D798,717	S *	10/2017	Rapp	D9/499
D803,057	S *	11/2017	Malone	D9/456
11,104,486	B2 *	8/2021	Yamamoto	B65D 33/24
2014/0348445	A1 *	11/2014	Siesto Casanova	...	B65D 75/30
					383/99
2017/0021990	A1 *	1/2017	Tschantz	B65D 81/052
2021/0171263	A1 *	6/2021	Martin	B65D 81/052
2021/0276782	A1 *	9/2021	Leiberman	B65D 81/052
2021/0284420	A1 *	9/2021	Borrero	B65D 81/03

OTHER PUBLICATIONS

U.S. Appl. No. 16/515,887, filed Jul. 18, 2019, Susana E Borrero et al.

U.S. Appl. No. 16/515,507, filed Jul. 18, 2019, Susana E Borrero et al.

U.S. Appl. No. 16/515,537, filed Jul. 18, 2019, Susana E Borrero et al.

U.S. Appl. No. 16/515,416, filed Jul. 18, 2019, Joseph Craig Lester et al.

U.S. Appl. No. 16/516,175, filed Jul. 18, 2019, Benjamin Jacob Clare et al.

U.S. Appl. No. 16/515,317, filed Jul. 18, 2019, Susana E Borrero et al.

U.S. Appl. No. 16/515,365, filed Jul. 18, 2019, Susana E Borrero et al.

U.S. Appl. No. 16/515,331, filed Jul. 18, 2019, Susana E Borrero et al.

U.S. Appl. No. 29/711,288, filed Oct. 30, 2019, Susana E Borrero et al.

U.S. Appl. No. 29/711,289, filed Oct. 30, 2019, Susana E Borrero et al.

U.S. Appl. No. 29/711,291, filed Oct. 30, 2019, Susana E Borrero et al.

U.S. Appl. No. 29/711,292, filed Oct. 30, 2019, Susana E Borrero et al.

U.S. Appl. No. 29/711,293, filed Oct. 30, 2019, Susana E Borrero et al.

All Office Actions; U.S. Appl. No. 29/711,288.

All Office Actions; U.S. Appl. No. 29/711,289.

All Office Actions; U.S. Appl. No. 29/711,291.

All Office Actions; U.S. Appl. No. 29/711,292.

All Office Actions; U.S. Appl. No. 29/711,293.

* cited by examiner

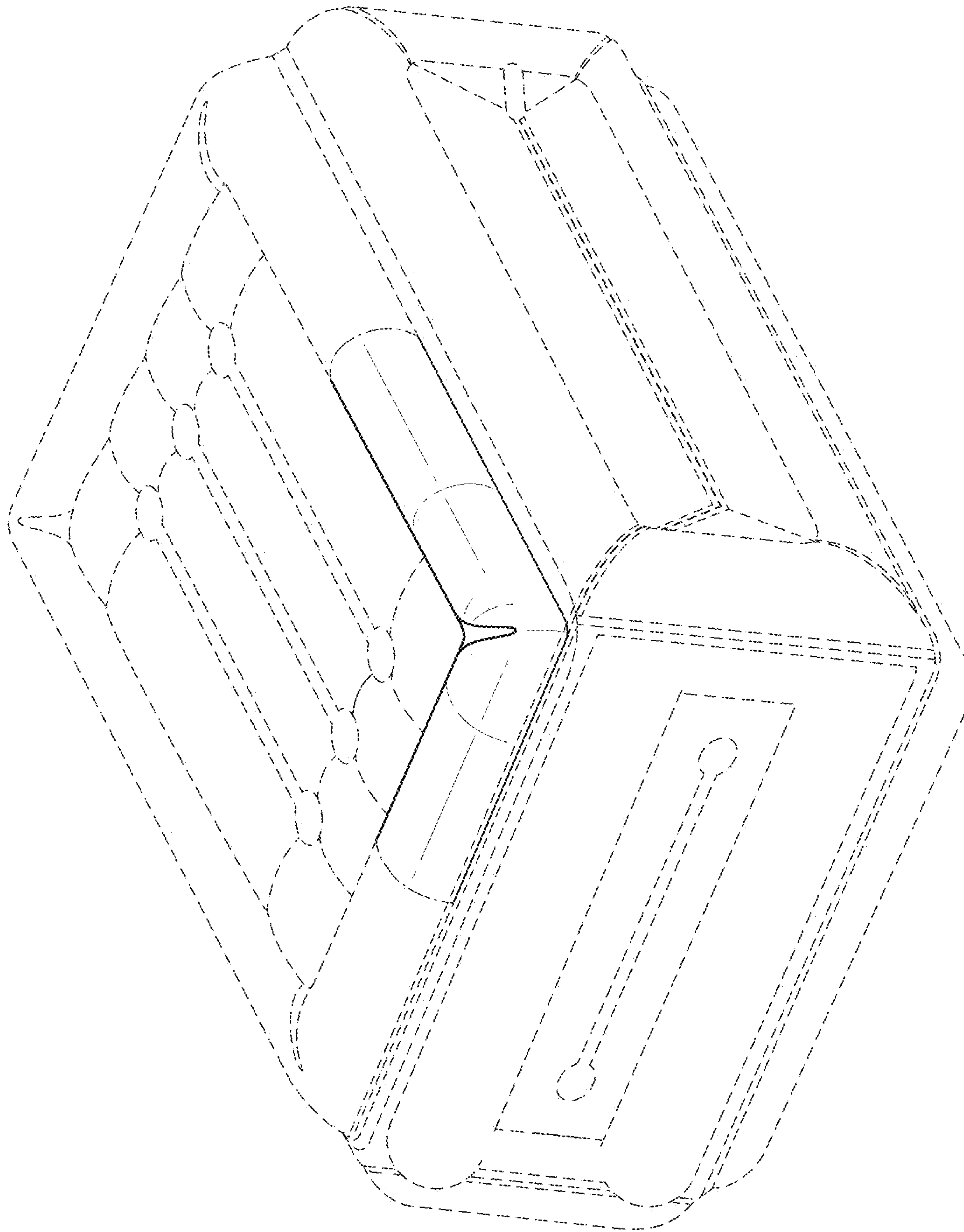


FIG. 1

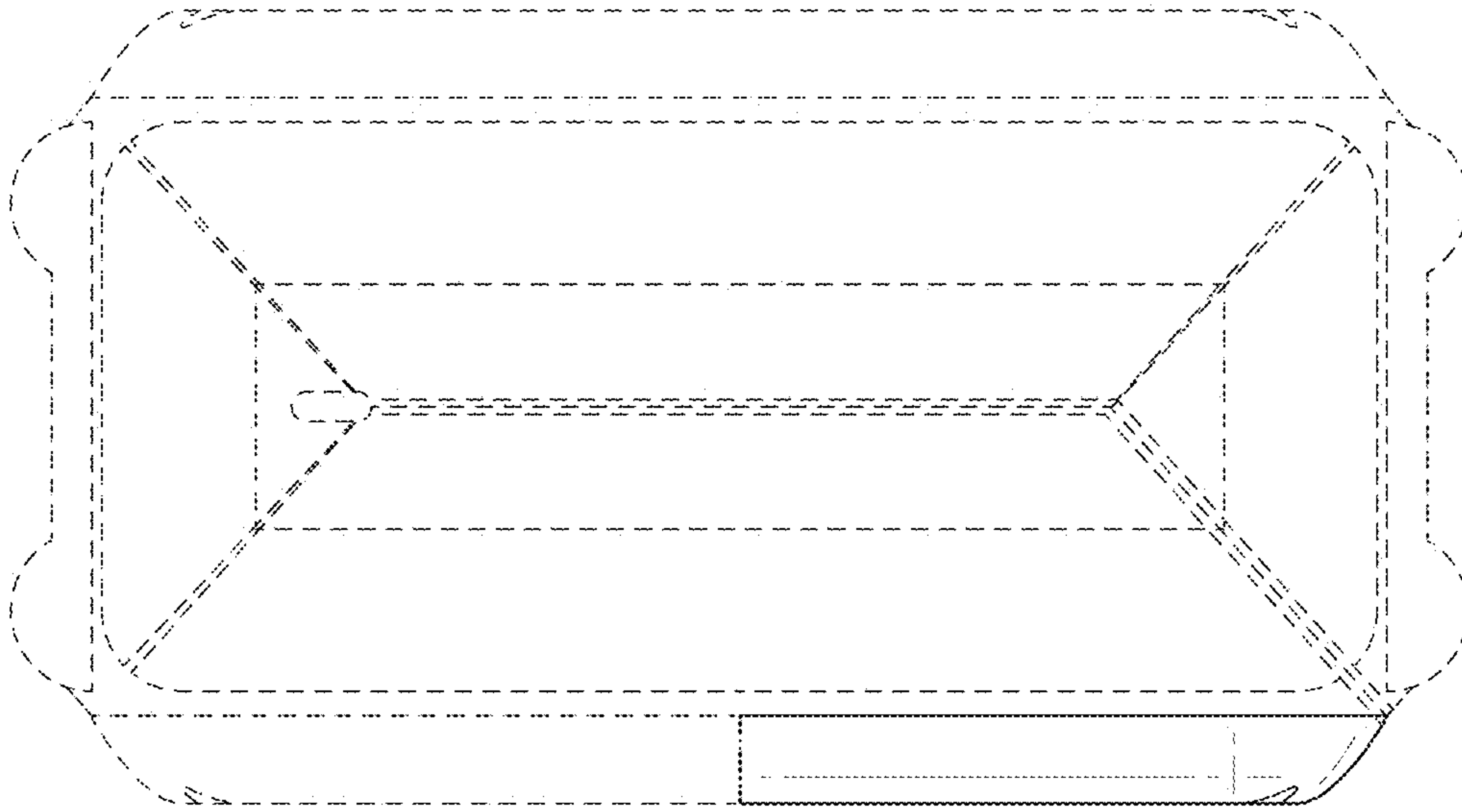


FIG. 3

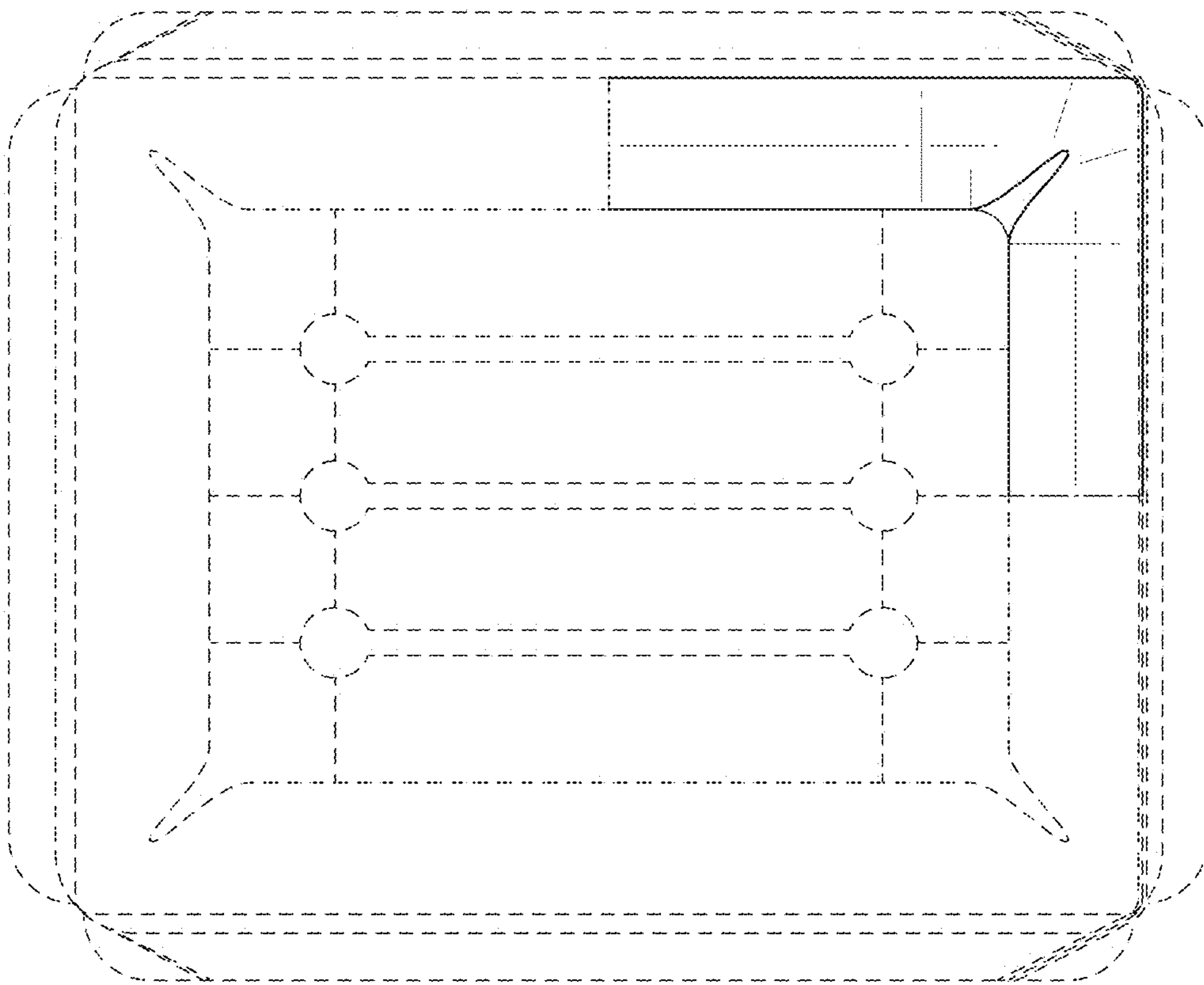


FIG. 2

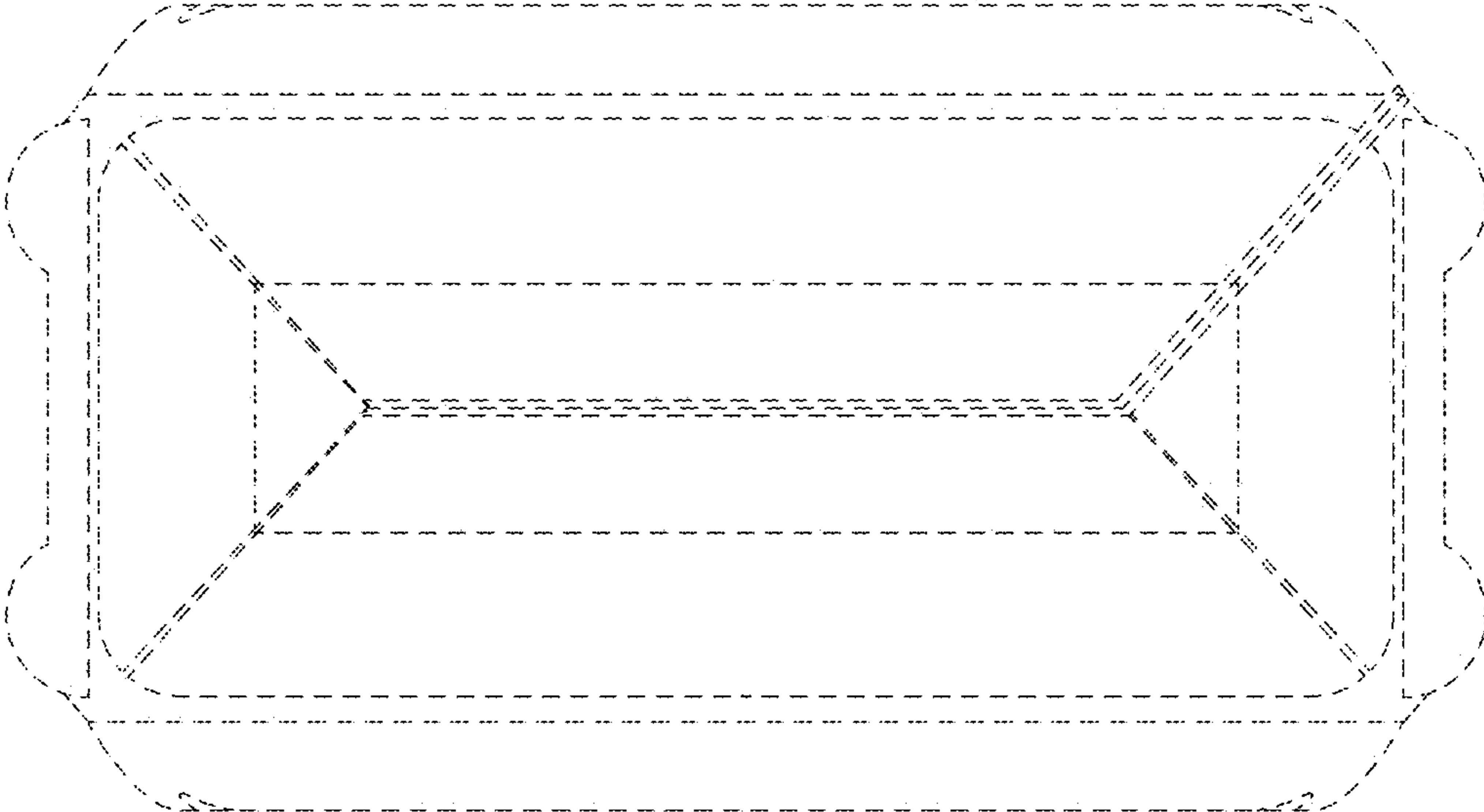


FIG. 5

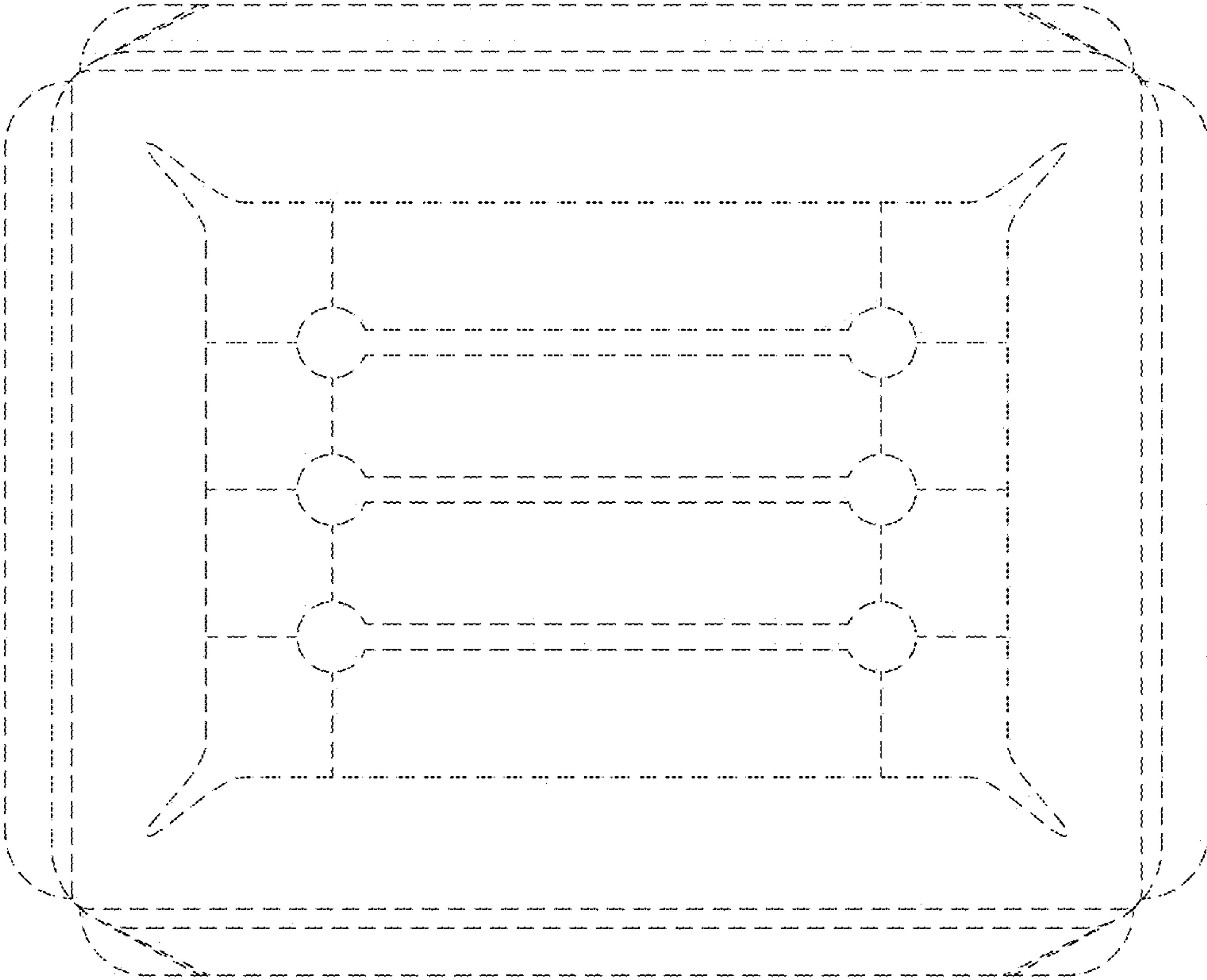


FIG. 4

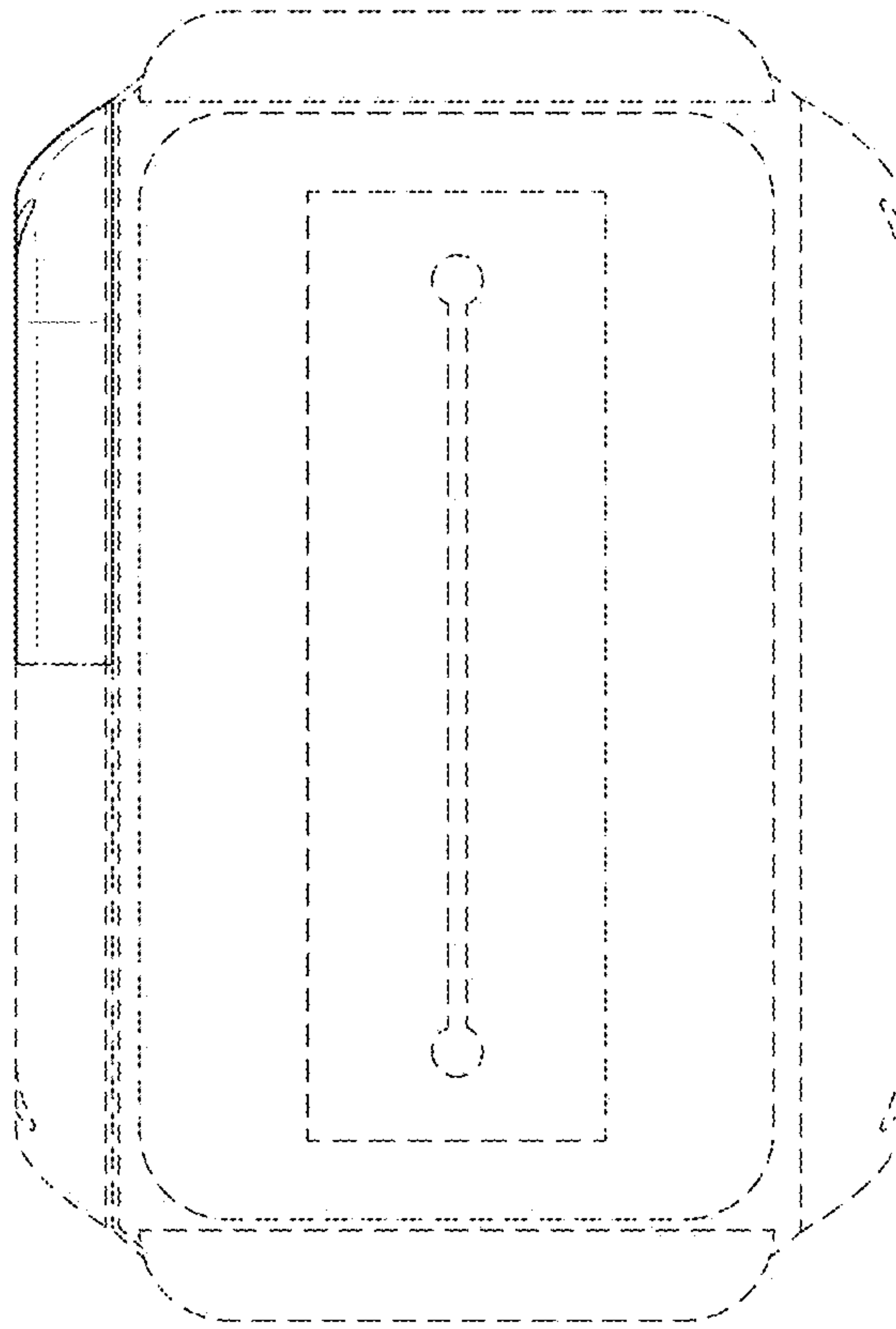


FIG. 7

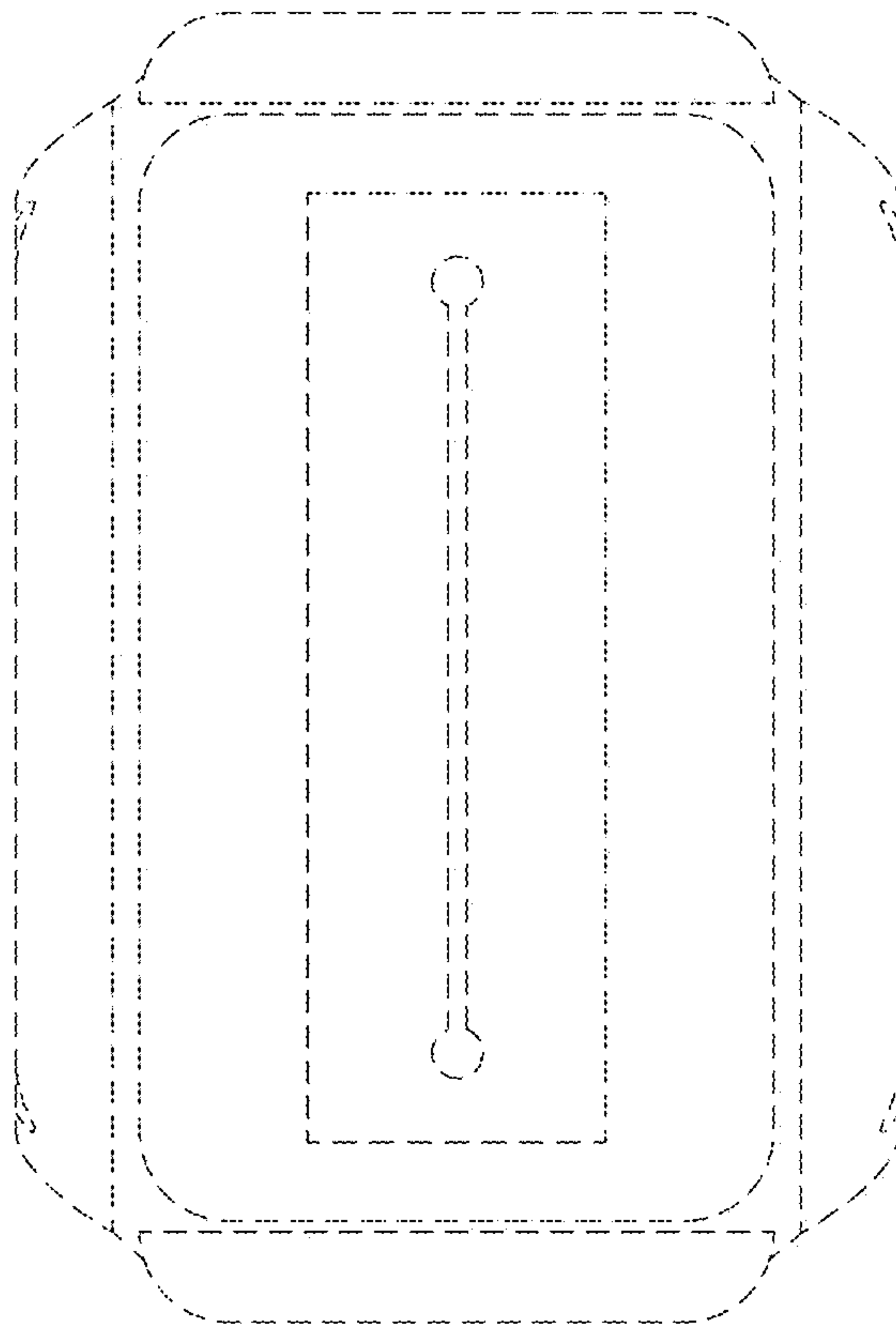


FIG. 6