



US00D949694S

(12) **United States Design Patent** (10) **Patent No.:** **US D949,694 S**
Borrero et al. (45) **Date of Patent:** **** Apr. 26, 2022**

- (54) **PACKAGE** 5,348,157 A * 9/1994 Pozzo B65D 81/052
206/522
- (71) Applicant: **The Procter & Gamble Company,** D361,846 S 8/1995 Tekannon
Cincinnati, OH (US) 5,588,533 A * 12/1996 Farison B65D 81/052
206/522
- (72) Inventors: **Susana E Borrero,** Mason, OH (US); D384,585 S 10/1997 Swarr
Benjamin G Hesford, Hamilton, OH 6,410,119 B1 * 6/2002 De Luca B31D 5/0073
(US); **Jun You,** West Chester, OH (US); 206/522
Stephen Michael Truesdell, Liberty D480,646 S * 10/2003 Borchard D9/456
Township, OH (US) D480,971 S * 10/2003 DeLuca D9/456
D490,711 S * 6/2004 DeLuca D9/456
D512,311 S * 12/2005 DeLuca D9/456
D513,182 S * 12/2005 DeLuca D9/456
D584,621 S 1/2009 Jean
(73) Assignee: **The Procter & Gamble Company,** 8,936,156 B1 * 1/2015 Tschantz B65D 81/052
Cincinnati, OH (US) 206/522
- (**) Term: **15 Years** (Continued)

- (21) Appl. No.: **29/711,289**
- (22) Filed: **Oct. 30, 2019**
- (51) **LOC (13) Cl.** **09-07**
- (52) **U.S. Cl.**
USPC **D9/456**
- (58) **Field of Classification Search**
USPC D9/414, 416, 419, 434, 455, 456, 457,
D9/499, 501, 517, 739; D6/512, 513;
D19/32, 75, 91, 102, 113, 114; D20/19;
D3/318, 319
CPC A47F 1/00; A47F 3/00; A47F 3/14; A47F
3/142; A47F 5/10; A47F 5/11; A47F
5/112; A47F 5/114; A47F 7/14; A63F
1/10; B42D 5/00; B42D 5/04; B42D
5/043; B65D 5/00; B65D 5/52; B65D
5/5206; G10G 5/00
See application file for complete search history.

- (56) **References Cited**
- U.S. PATENT DOCUMENTS
- 1,457,496 A * 6/1923 Butler B65D 81/052
206/522
- 4,127,192 A 11/1978 Card
- 4,551,379 A * 11/1985 Kerr B31D 5/0073
428/200

OTHER PUBLICATIONS

All Office Actions; U.S. Appl. No. 29/711,288.

(Continued)

Primary Examiner — Wendy L Arminio

(74) *Attorney, Agent, or Firm* — James E Oehlenschlager;
David M Weirich

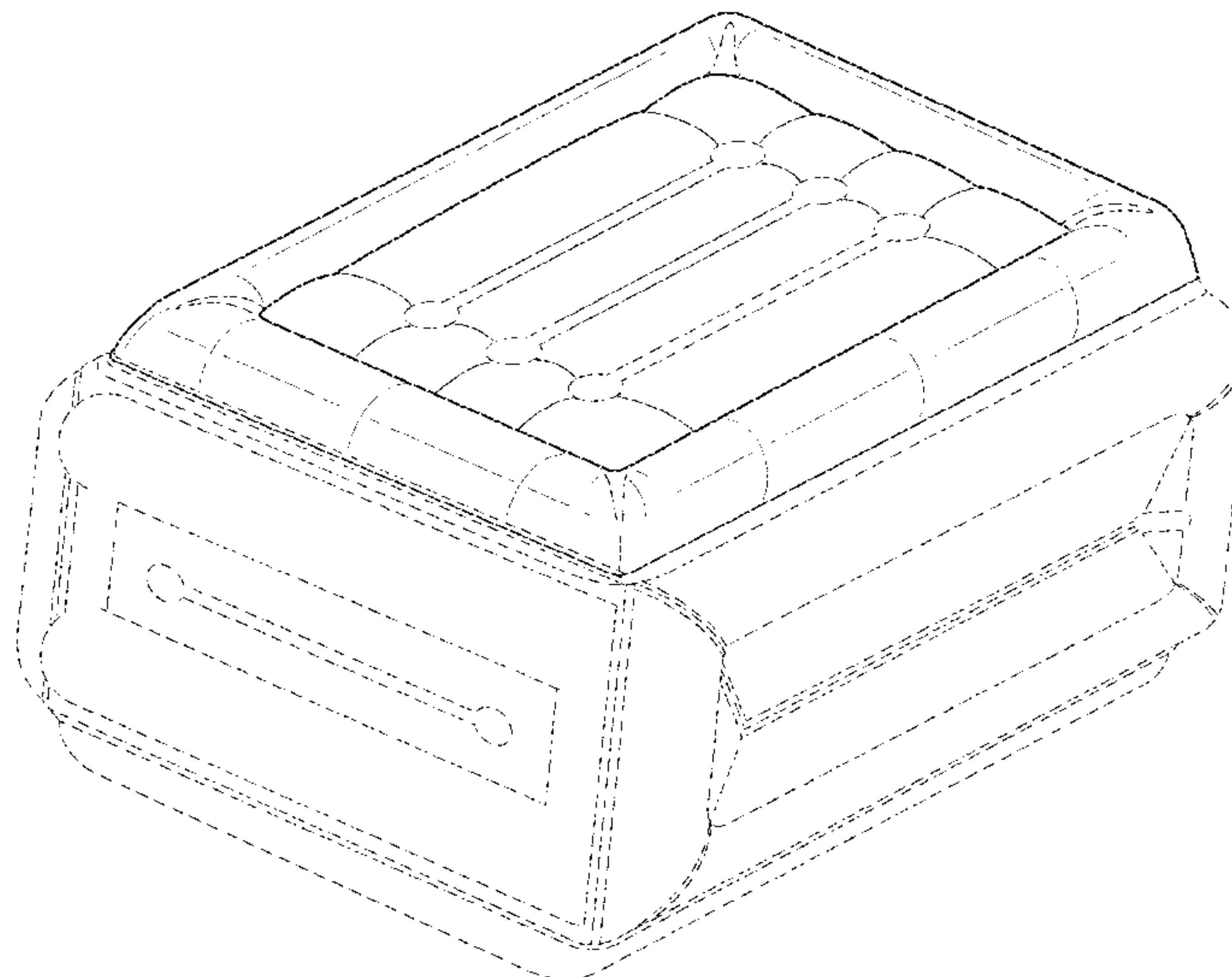
(57) **CLAIM**

The ornamental design for a package, as shown and described.

DESCRIPTION

FIG. 1 is a perspective view of a package;
 FIG. 2 is a front view of the package;
 FIG. 3 is a right side view of the package;
 FIG. 4 is a back view of the package;
 FIG. 5 is a left side view of the package;
 FIG. 6 is a top view of the package; and,
 FIG. 7 is a bottom view of the package.
 The broken lines depict portions of the package that form no part of the claimed design.

1 Claim, 4 Drawing Sheets



(56)

References Cited

U.S. PATENT DOCUMENTS

D761,646 S * 7/2016 Smith D9/414
 D775,956 S 1/2017 Ye et al.
 D798,717 S * 10/2017 Rapp D9/499
 D803,057 S * 11/2017 Malone D9/456
 11,104,486 B2 * 8/2021 Yamamoto B65D 33/24
 2014/0348445 A1 * 11/2014 Siesto Casanova ... B65D 75/30
 383/99
 2017/0021990 A1 * 1/2017 Tschantz B65D 81/052
 2021/0171263 A1 * 6/2021 Martin B65D 81/052
 2021/0276782 A1 * 9/2021 Leiberman B65D 81/052
 2021/0284420 A1 * 9/2021 Borrero B65D 81/03

OTHER PUBLICATIONS

All Office Actions; U.S. Appl. No. 29/711,290.
 All Office Actions; U.S. Appl. No. 29/711,291.
 All Office Actions; U.S. Appl. No. 29/711,292.
 All Office Actions; U.S. Appl. No. 29/711,293.
 U.S. Appl. No. 16/516,173, filed Jul. 18, 2019, Susana E Borrero et al.
 U.S. Appl. No. 16/515,887, filed Jul. 18, 2019, Susana E Borrero et al.

U.S. Appl. No. 16/515,507, filed Jul. 18, 2019, Susana E Borrero et al.
 U.S. Appl. No. 16/515,537, filed Jul. 18, 2019, Susana E Borrero et al.
 U.S. Appl. No. 16/515,416, filed Jul. 18, 2019, Joseph Craig Lester et al.
 U.S. Appl. No. 16/516,175, filed Jul. 18, 2019, Benjamin Jacob Clare et al.
 U.S. Appl. No. 16/515,317, filed Jul. 18, 2019, Susana E Borrero et al.
 U.S. Appl. No. 16/515,365, filed Jul. 18, 2019, Susana E Borrero et al.
 U.S. Appl. No. 16/515,331, filed Jul. 18, 2019, Susana E Borrero et al.
 U.S. Appl. No. 29/711,288, filed Oct. 30, 2019, Susana E Borrero et al.
 U.S. Appl. No. 29/711,290, filed Oct. 30, 2019, Susana E Borrero et al.
 U.S. Appl. No. 29/711,291, filed Oct. 30, 2019, Susana E Borrero et al.
 U.S. Appl. No. 29/711,292, filed Oct. 30, 2019, Susana E Borrero et al.
 U.S. Appl. No. 29/711,293, filed Oct. 30, 2019, Susana E Borrero et al.

* cited by examiner

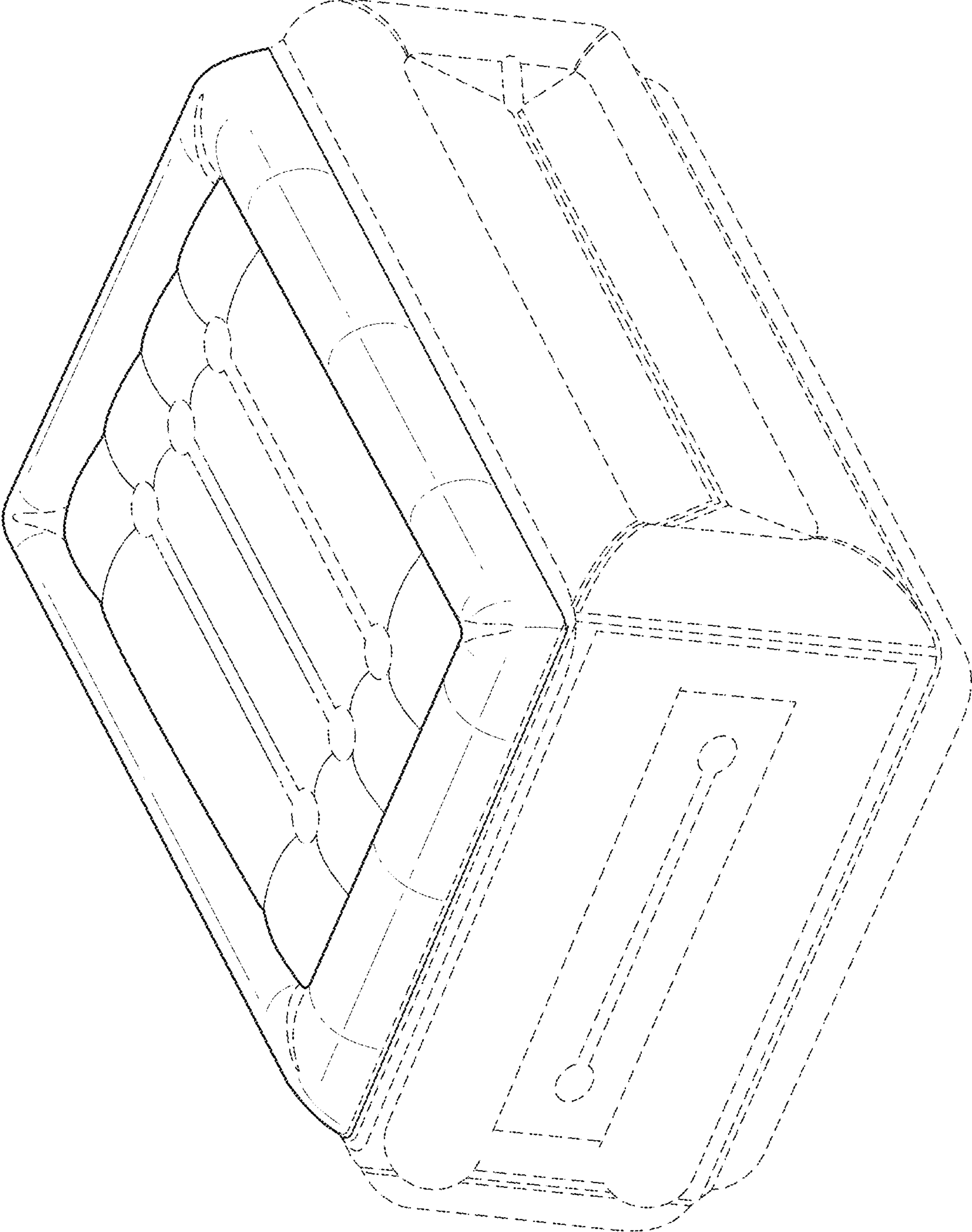


FIG. 1

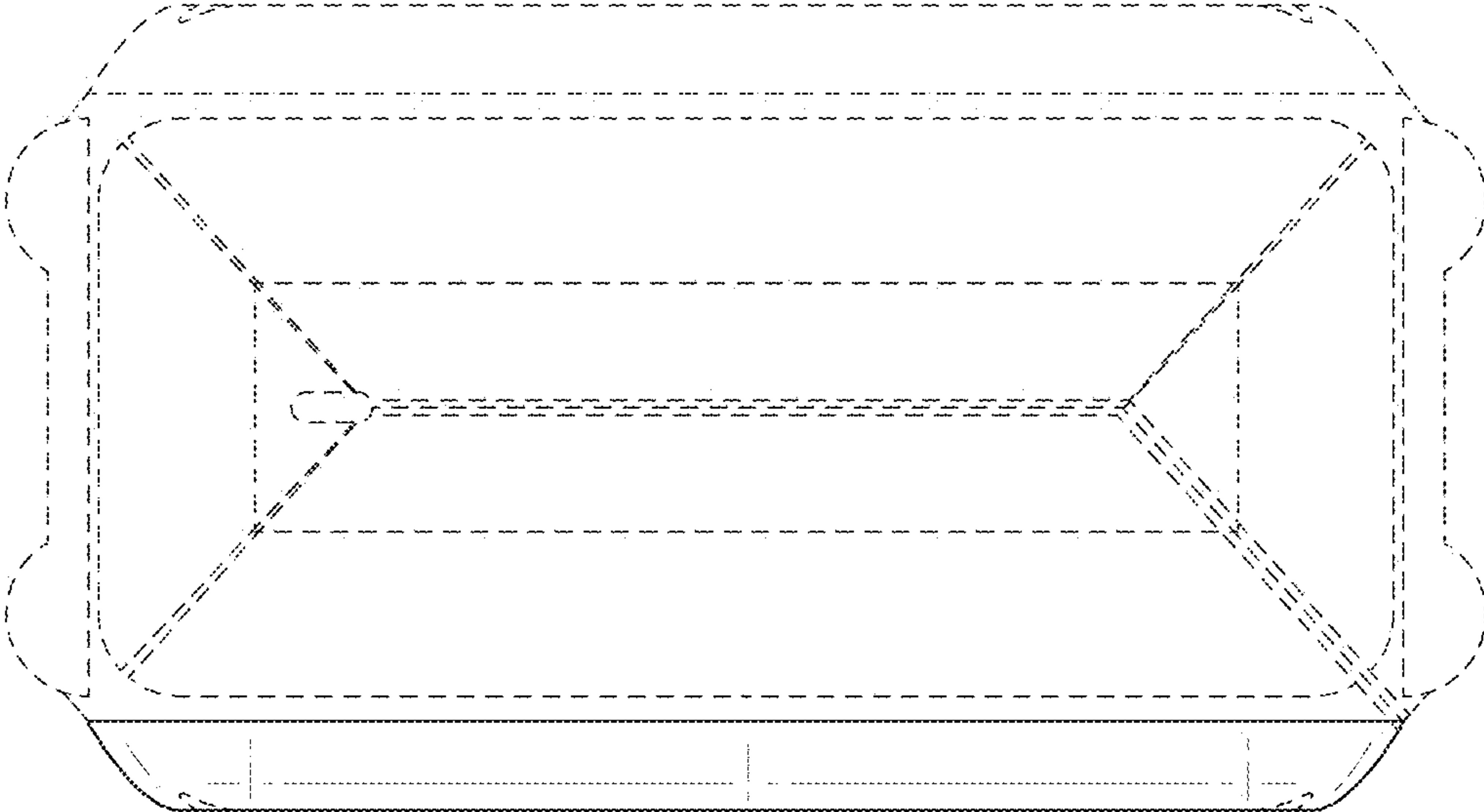


FIG. 3

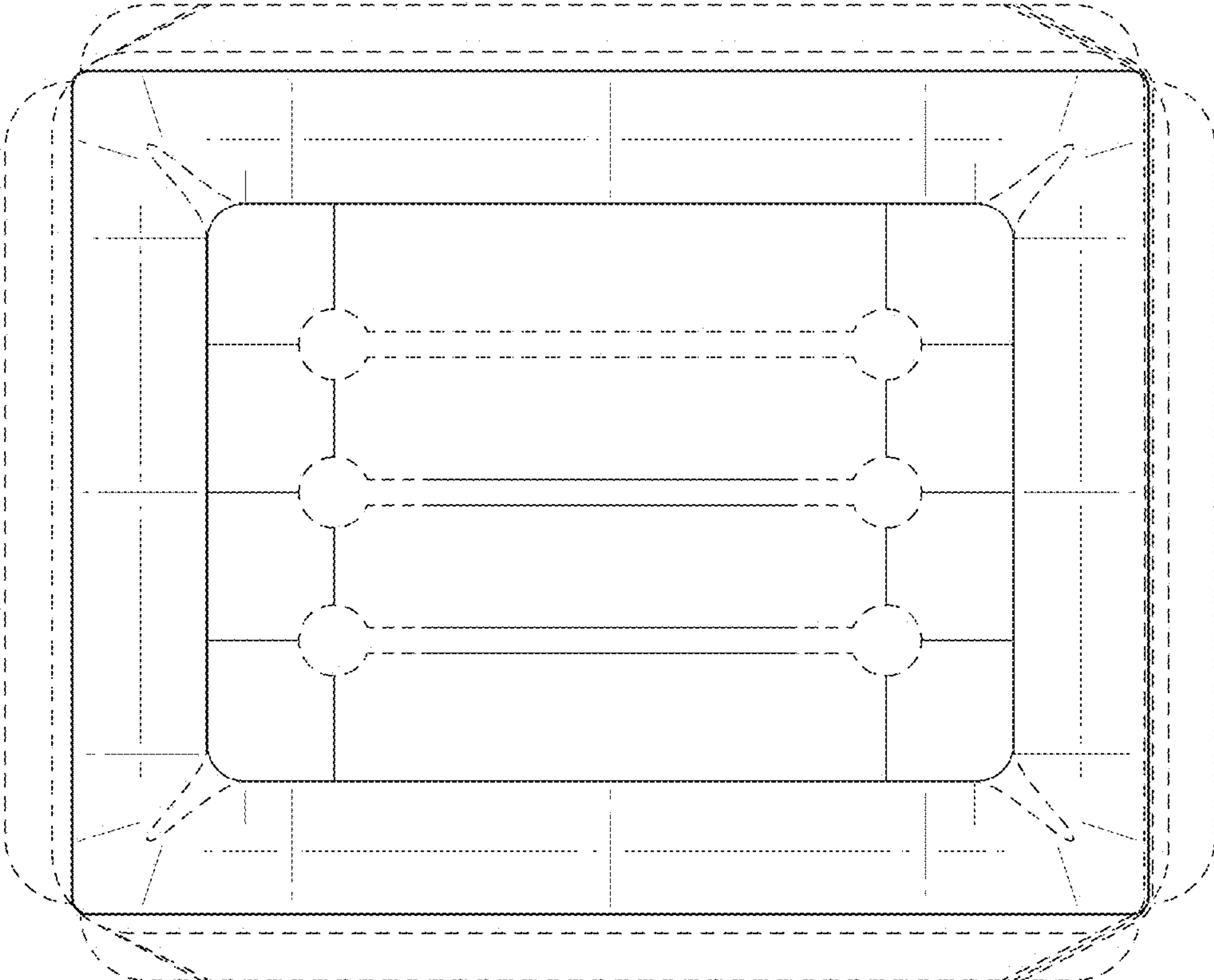


FIG. 2

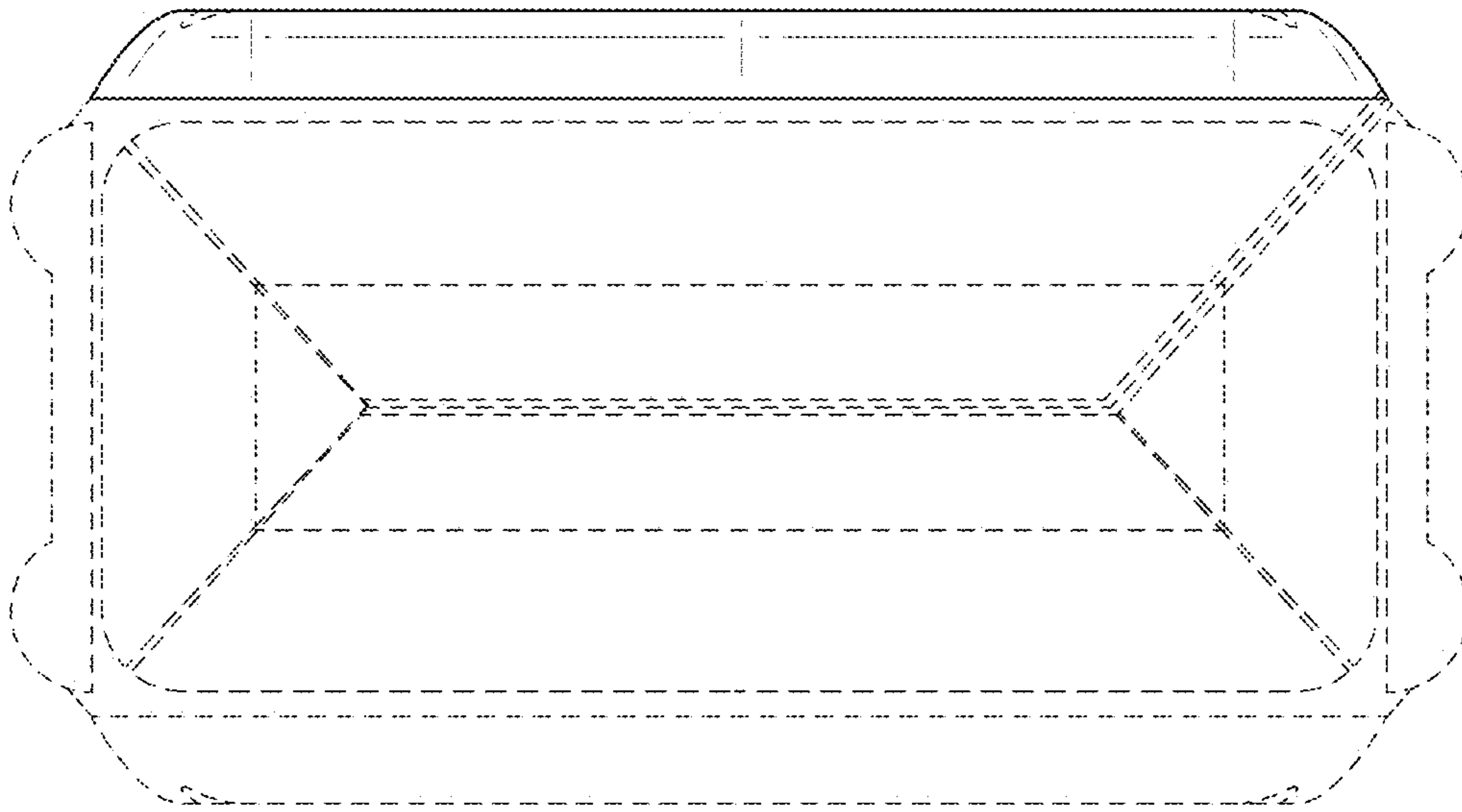


FIG. 5

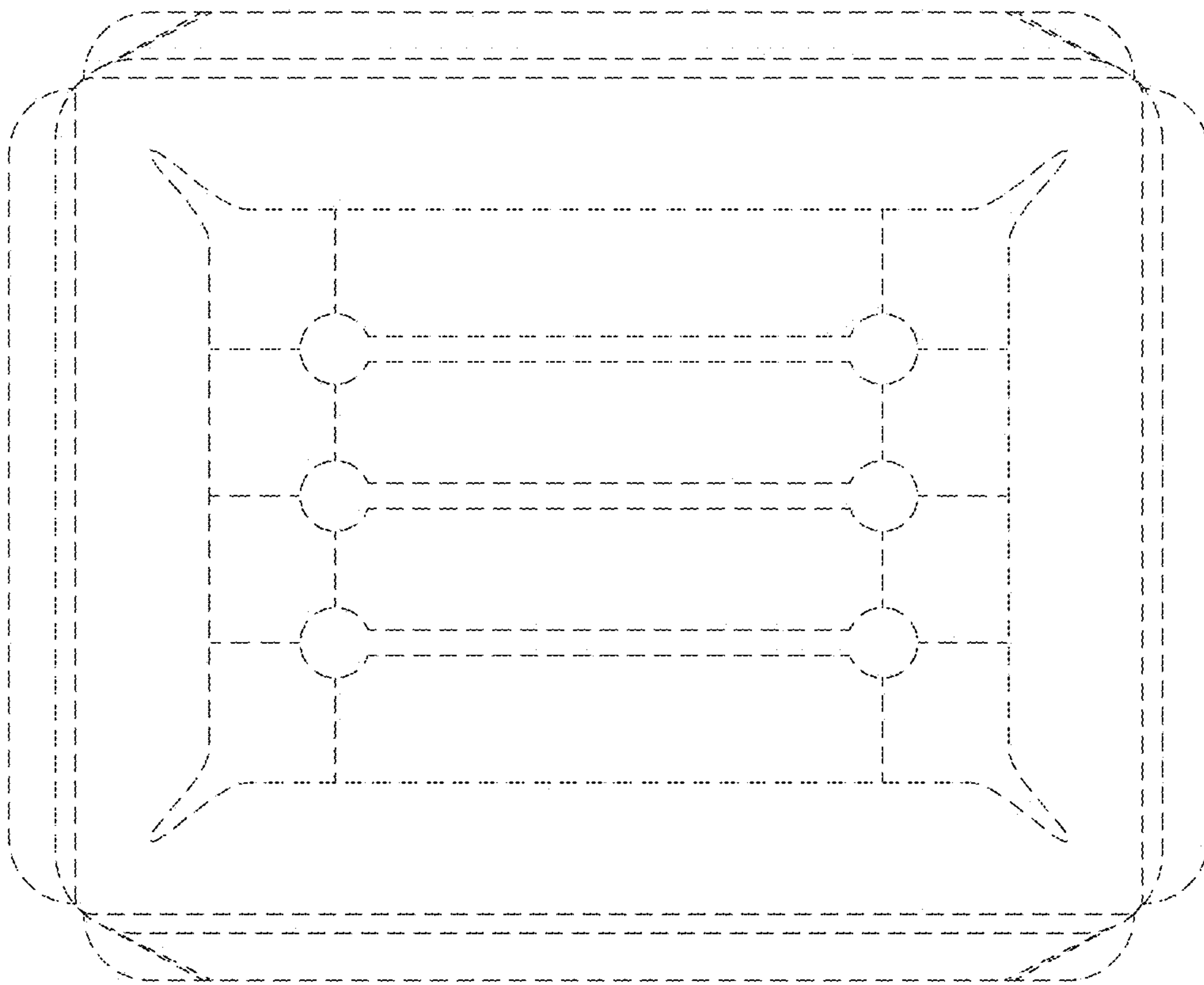


FIG. 4

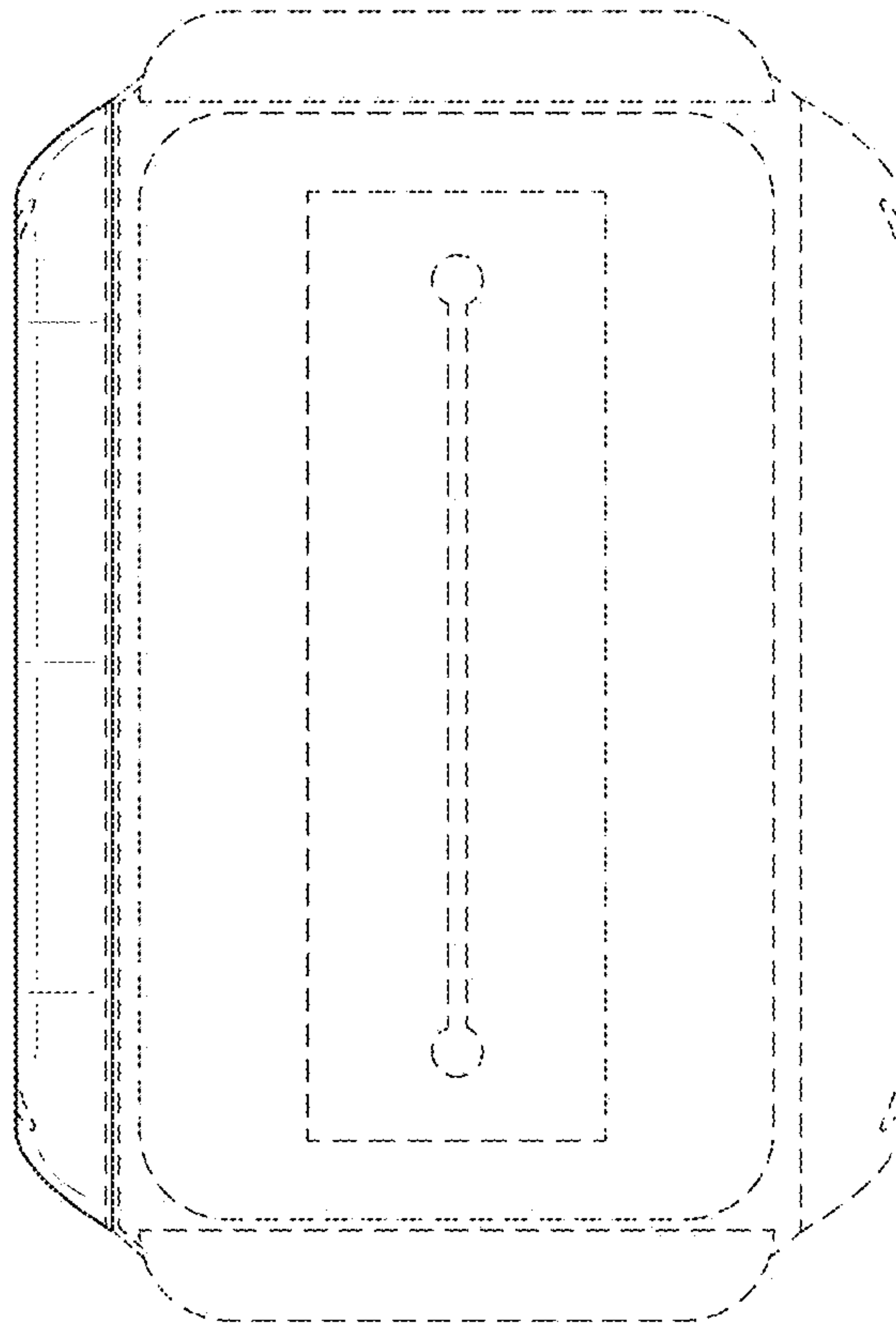


FIG. 7

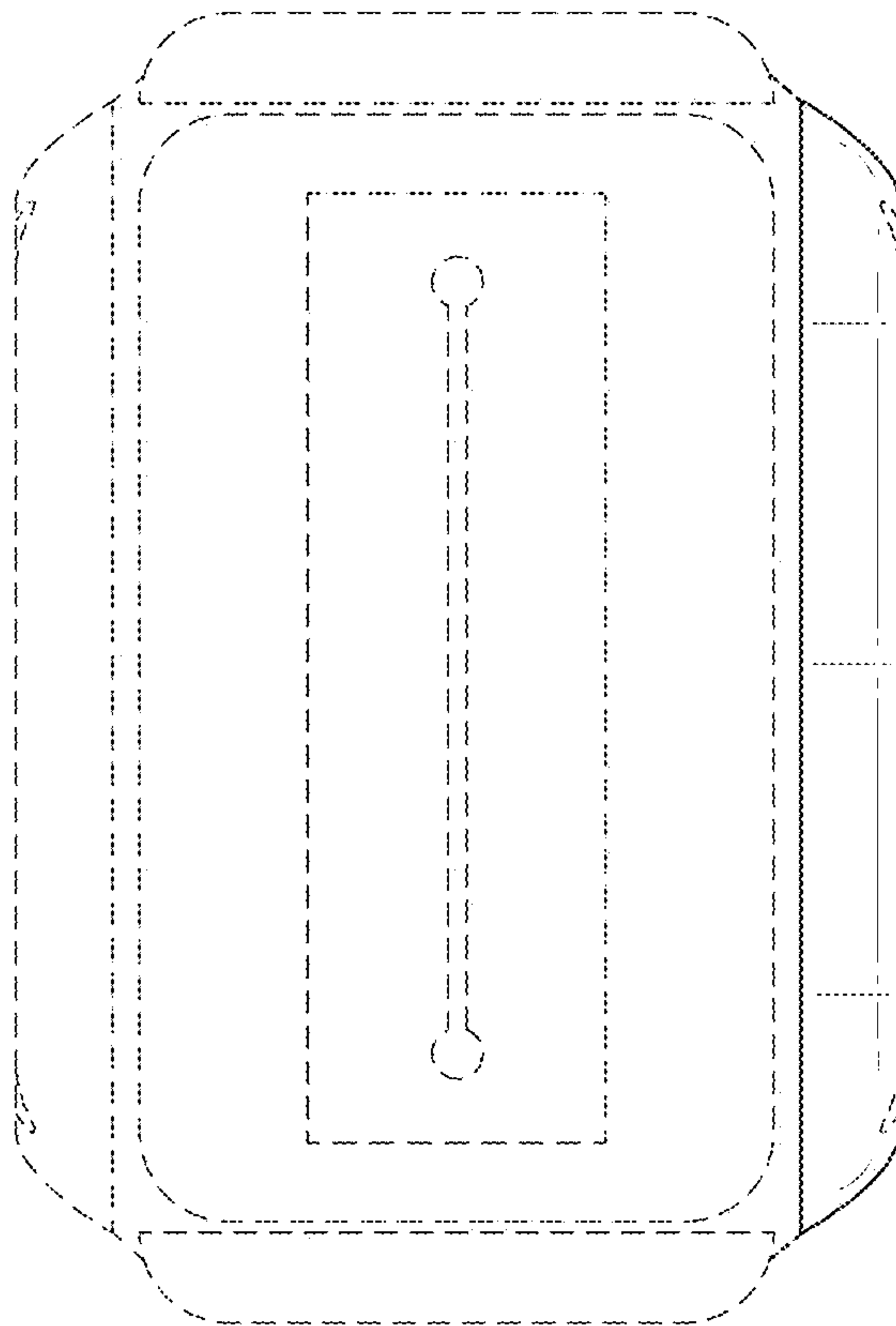


FIG. 6