



US00D949693S

(12) **United States Design Patent** (10) **Patent No.:** **US D949,693 S**
Borrero et al. (45) **Date of Patent:** **** Apr. 26, 2022**

- (54) **PACKAGE** 5,348,157 A * 9/1994 Pozzo B65D 81/052
206/522
- (71) Applicant: **The Procter & Gamble Company,** D361,846 S 8/1995 Tekannon
Cincinnati, OH (US) 5,588,533 A * 12/1996 Farison B65D 81/052
206/522
- (72) Inventors: **Susana E Borrero,** Mason, OH (US); D384,585 S 10/1997 Swarr
Benjamin G Hesford, Hamilton, OH 6,410,119 B1 * 6/2002 De Luca B31D 5/0073
(US); **Jun You,** West Chester, OH (US); 206/522
Stephen Michael Truesdell, Liberty
Township, OH (US) D480,646 S * 10/2003 Borchard D9/456
D480,971 S * 10/2003 DeLuca D9/456
D490,711 S * 6/2004 DeLuca D9/456
D512,311 S * 12/2005 DeLuca D9/456
D513,182 S * 12/2005 DeLuca D9/456
D584,621 S 1/2009 Jean
(Continued)
- (73) Assignee: **The Procter & Gamble Company,**
Cincinnati, OH (US)

(**) Term: **15 Years**

(21) Appl. No.: **29/711,288**

(22) Filed: **Oct. 30, 2019**

(51) **LOC (13) Cl.** **09-07**

(52) **U.S. Cl.**
USPC **D9/456**

(58) **Field of Classification Search**
USPC D9/414, 416, 419, 434, 455, 456, 457,
D9/499, 501, 517, 739; D6/512, 513;
D19/32, 75, 91, 102, 113, 114; D20/19;
D3/318, 319
CPC A47F 1/00; A47F 3/00; A47F 3/14; A47F
3/142; A47F 5/10; A47F 5/11; A47F
5/112; A47F 5/114; A47F 7/14; A63F
1/10; B42D 5/00; B42D 5/04; B42D
5/043; B65D 5/00; B65D 5/52; B65D
5/5206; G10G 5/00

See application file for complete search history.

(56) **References Cited**

U.S. PATENT DOCUMENTS

- 1,457,496 A * 6/1923 Henrye B65D 81/052
206/522
- 4,127,192 A 11/1978 Card
- 4,551,379 A * 11/1985 Kerr B31D 5/0073
428/200

OTHER PUBLICATIONS

U.S. Appl. No. 16/516,173, filed Jul. 18, 2019, Susana E Borrero et al.

(Continued)

Primary Examiner — Wendy L Arminio
(74) *Attorney, Agent, or Firm* — James E Oehlenschlager;
David M. Weirich

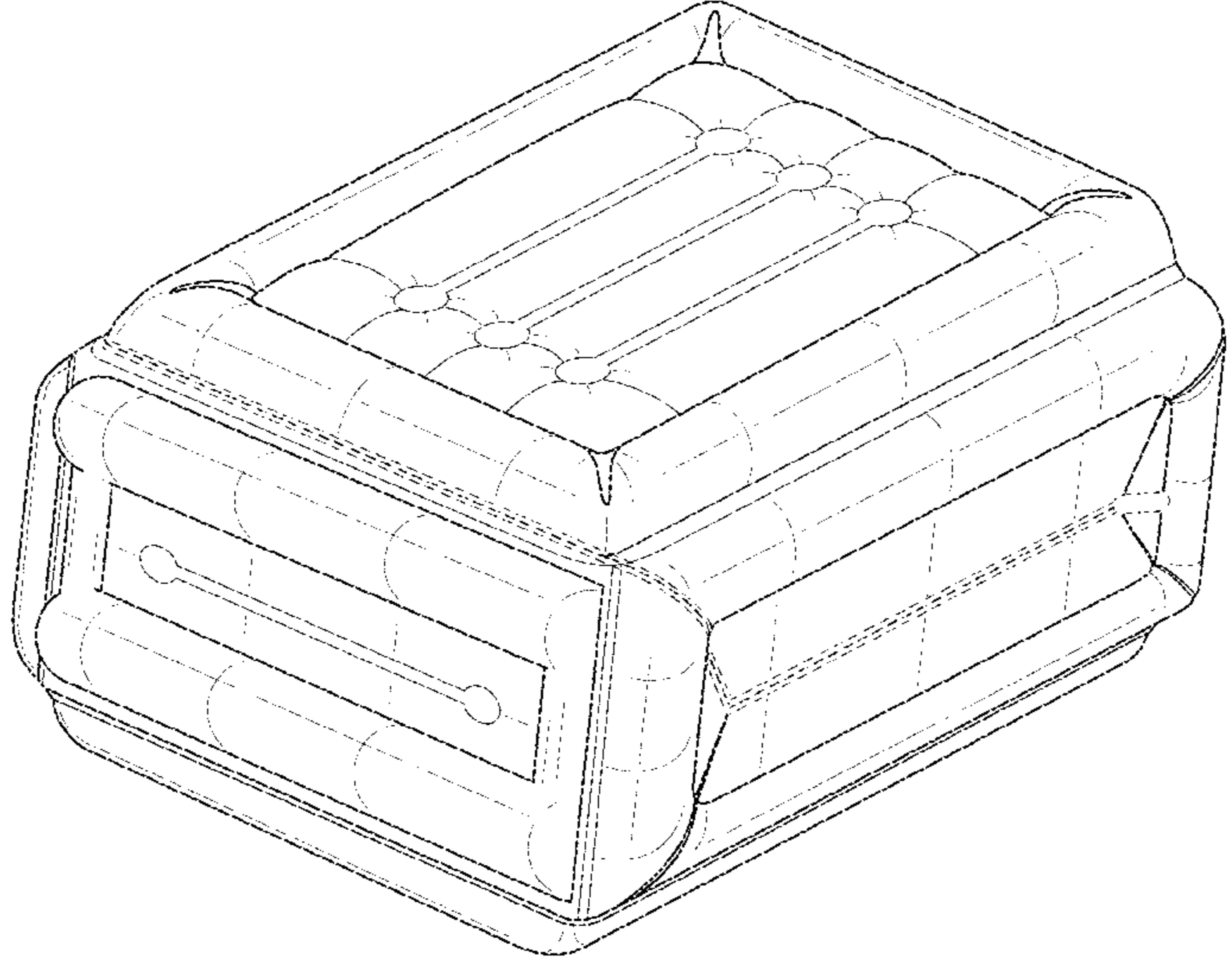
(57) **CLAIM**

The ornamental design for a package, as shown and described.

DESCRIPTION

FIG. 1 is a perspective view of a package;
FIG. 2 is a front view of the package;
FIG. 3 is a right side view of the package;
FIG. 4 is a back view of the package;
FIG. 5 is a left side view of the package;
FIG. 6 is a top view of the package; and,
FIG. 7 is a bottom view of the package.
The broken lines depict portions of the package that form no part of the claimed design.

1 Claim, 4 Drawing Sheets



(56)

References Cited

U.S. PATENT DOCUMENTS

| | | | | |
|--------------|------|---------|---------------------|-------------|
| 8,936,156 | B1 * | 1/2015 | Tschantz | B65D 81/052 |
| | | | | 206/522 |
| D761,646 | S * | 7/2016 | Smith | D9/414 |
| D775,956 | S | 1/2017 | Ye et al. | |
| D798,717 | S * | 10/2017 | Rapp | D9/499 |
| D803,057 | S * | 11/2017 | Malone | D9/456 |
| 11,104,486 | B2 * | 8/2021 | Yamamoto | B65D 33/24 |
| 2014/0348445 | A1 * | 11/2014 | Siesto Casanova ... | B65D 75/30 |
| | | | | 383/99 |
| 2017/0021990 | A1 * | 1/2017 | Tschantz | B65D 81/052 |
| 2021/0171263 | A1 * | 6/2021 | Martin | B65D 81/052 |
| 2021/0276782 | A1 * | 9/2021 | Leiberman | B65D 81/052 |
| 2021/0284420 | A1 * | 9/2021 | Borrero | B65D 81/03 |

OTHER PUBLICATIONS

U.S. Appl. No. 16/515,887, filed Jul. 18, 2019, Susana E Borrero et al.

U.S. Appl. No. 16/515,507, filed Jul. 18, 2019, Susana E Borrero et al.

U.S. Appl. No. 16/515,537, filed Jul. 18, 2019, Susana E Borrero et al.

U.S. Appl. No. 16/515,416, filed Jul. 18, 2019, Joseph Craig Lester et al.

U.S. Appl. No. 16/516,175, filed Jul. 18, 2019, Benjamin Jacob Clare et al.

U.S. Appl. No. 16/515,317, filed Jul. 18, 2019, Susana E Borrero et al.

U.S. Appl. No. 16/515,365, filed Jul. 18, 2019, Susana E Borrero et al.

U.S. Appl. No. 16/515,331, filed Jul. 18, 2019, Susana E Borrero et al.

U.S. Appl. No. 29/711,289, filed Oct. 30, 2019, Susana E Borrero et al.

U.S. Appl. No. 29/711,290, filed Oct. 30, 2019, Susana E Borrero et al.

U.S. Appl. No. 29/711,291, filed Oct. 30, 2019, Susana E Borrero et al.

U.S. Appl. No. 29/711,292, filed Oct. 30, 2019, Susana E Borrero et al.

U.S. Appl. No. 29/711,293, filed Oct. 30, 2019, Susana E Borrero et al.

All Office Actions; U.S. Appl. No. 29/711,289.

All Office Actions; U.S. Appl. No. 29/711,290.

All Office Actions; U.S. Appl. No. 29/711,291.

All Office Actions; U.S. Appl. No. 29/711,292.

All Office Actions; U.S. Appl. No. 29/711,293.

* cited by examiner

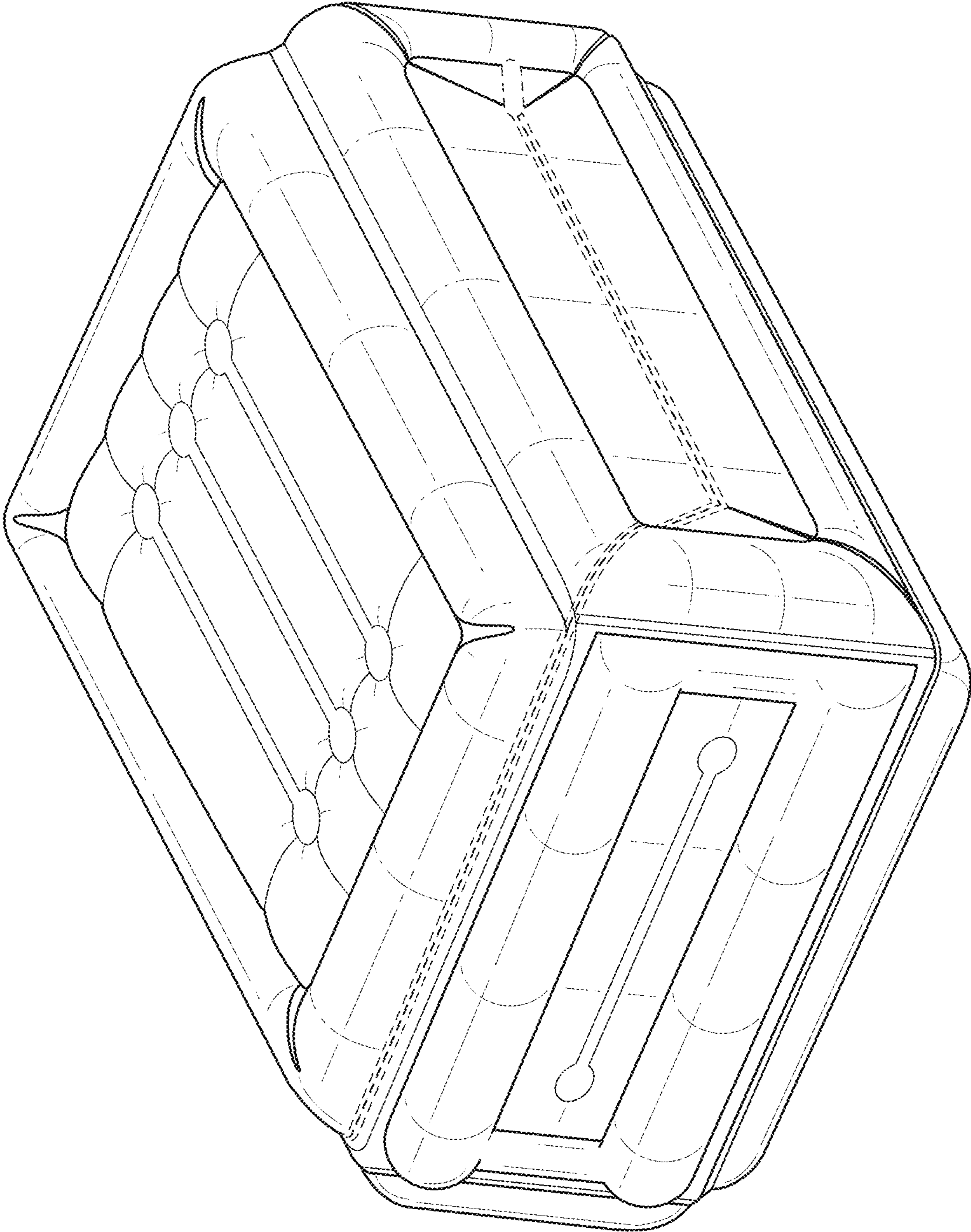


FIG. 1

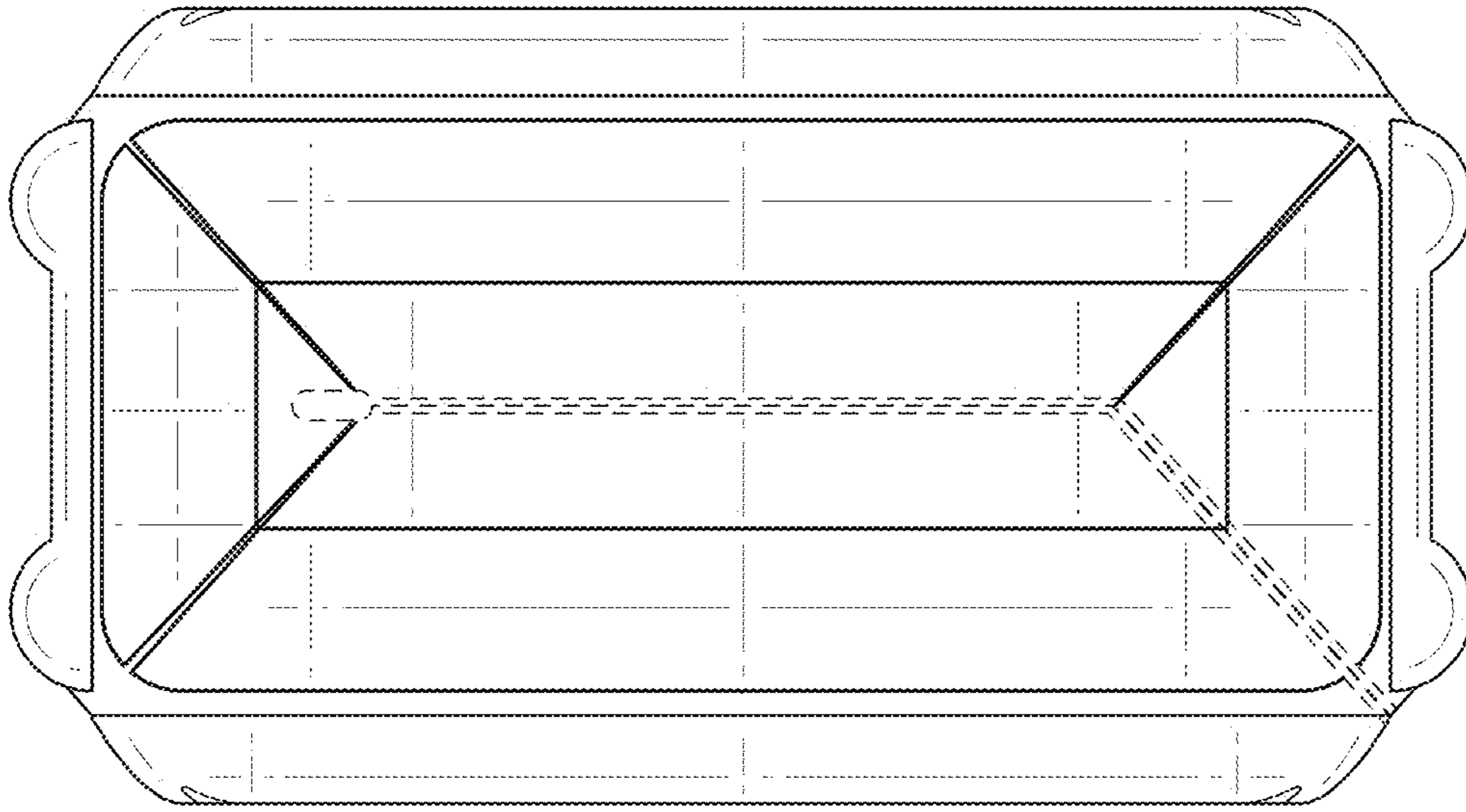


FIG. 3

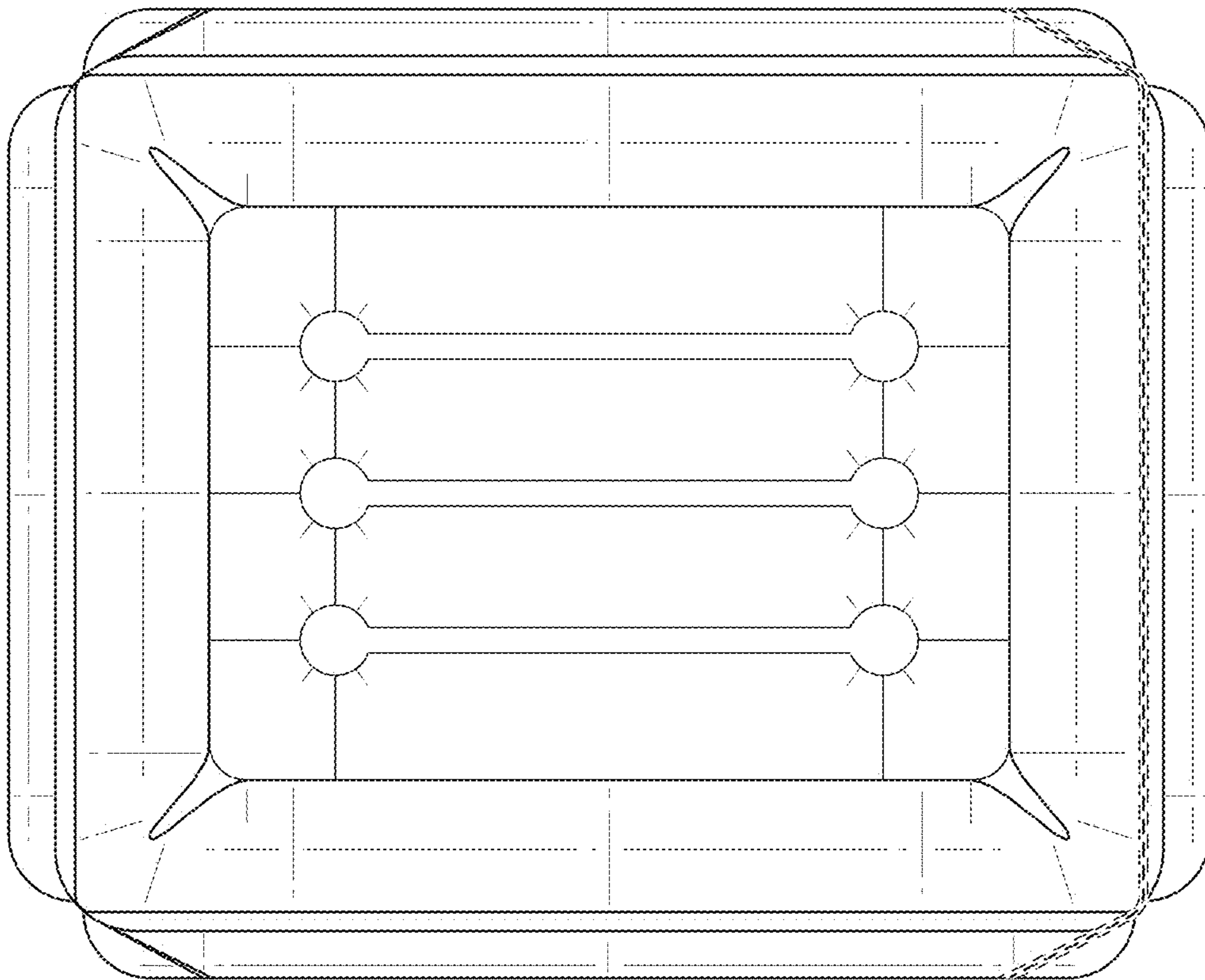


FIG. 2

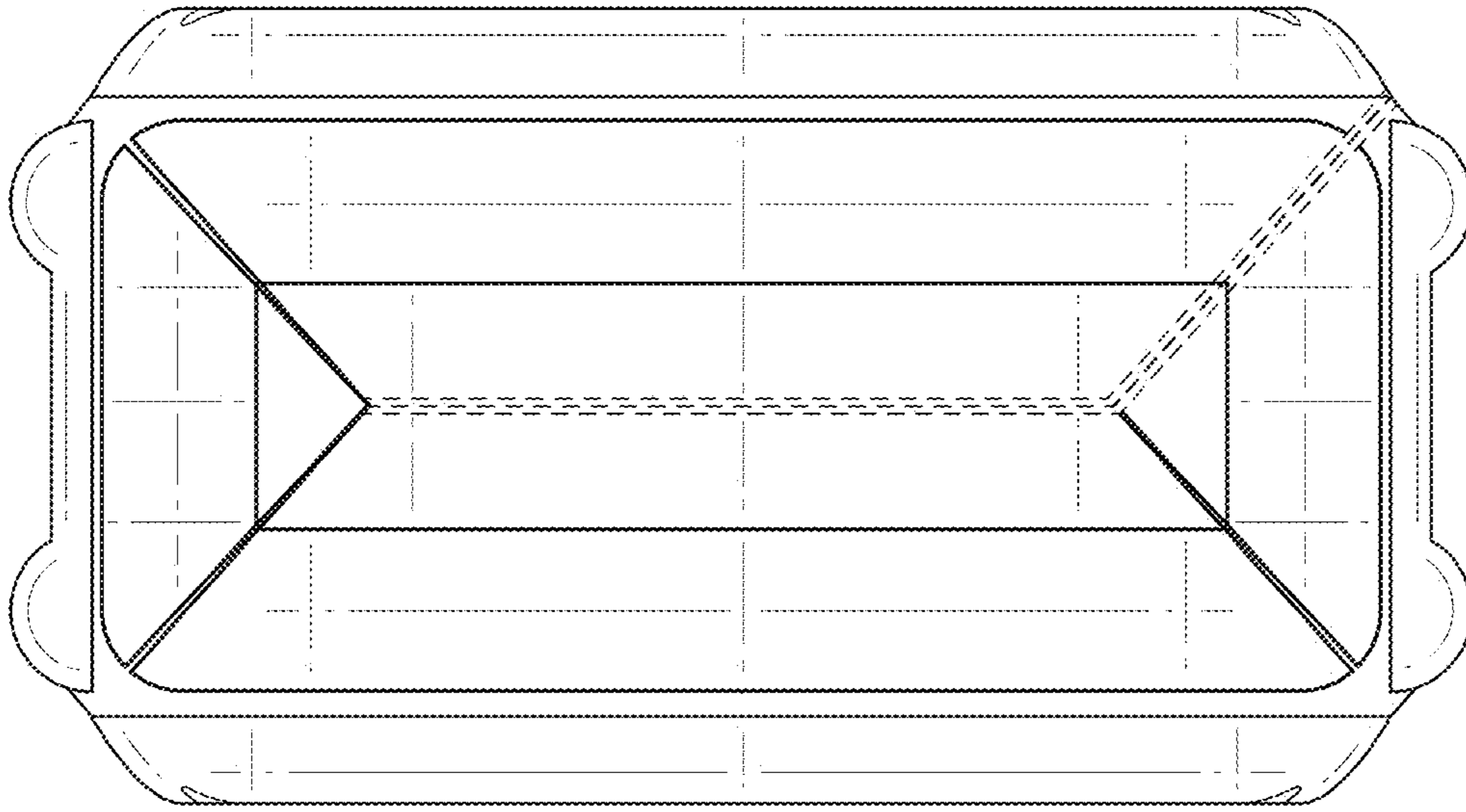


FIG. 5

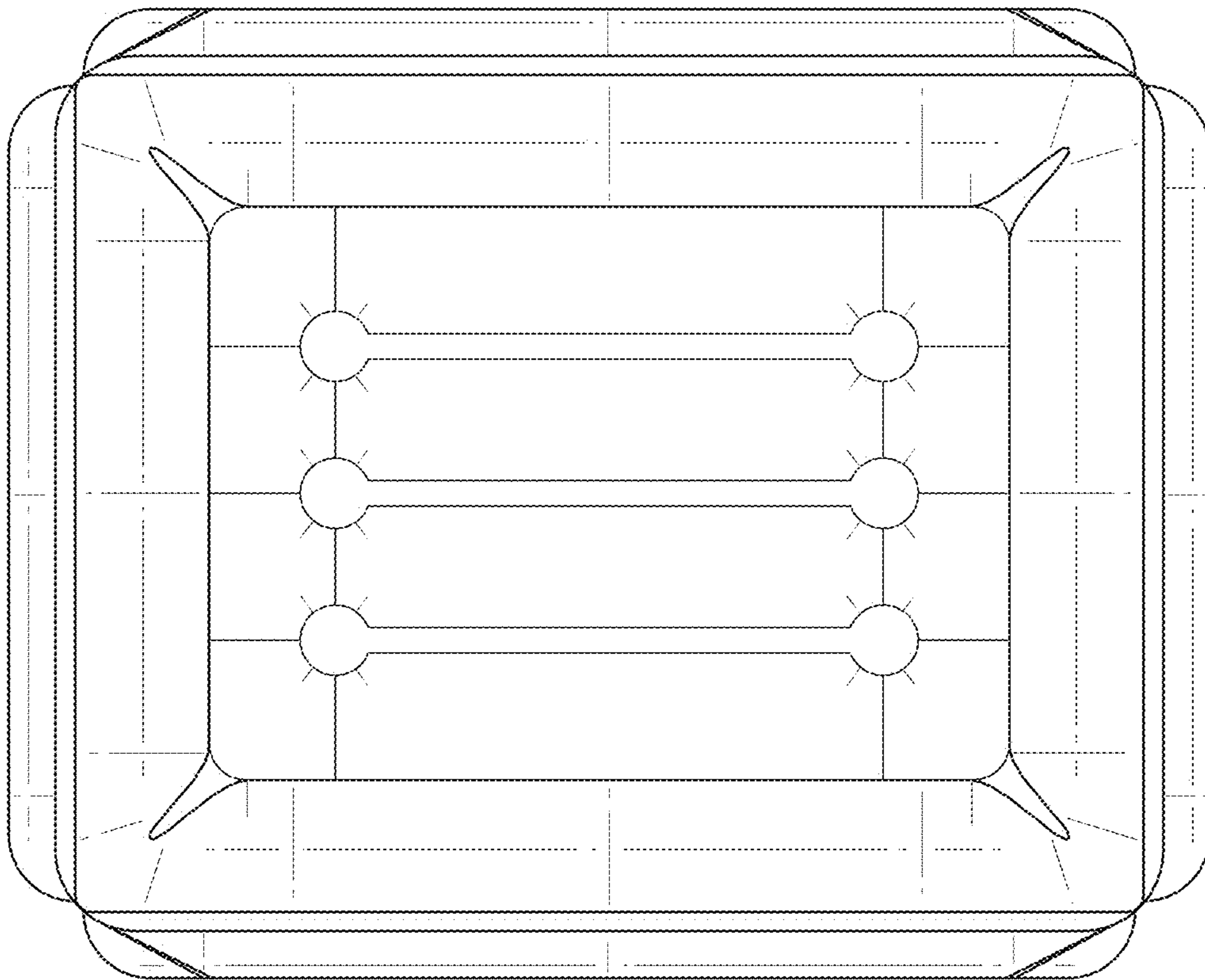


FIG. 4

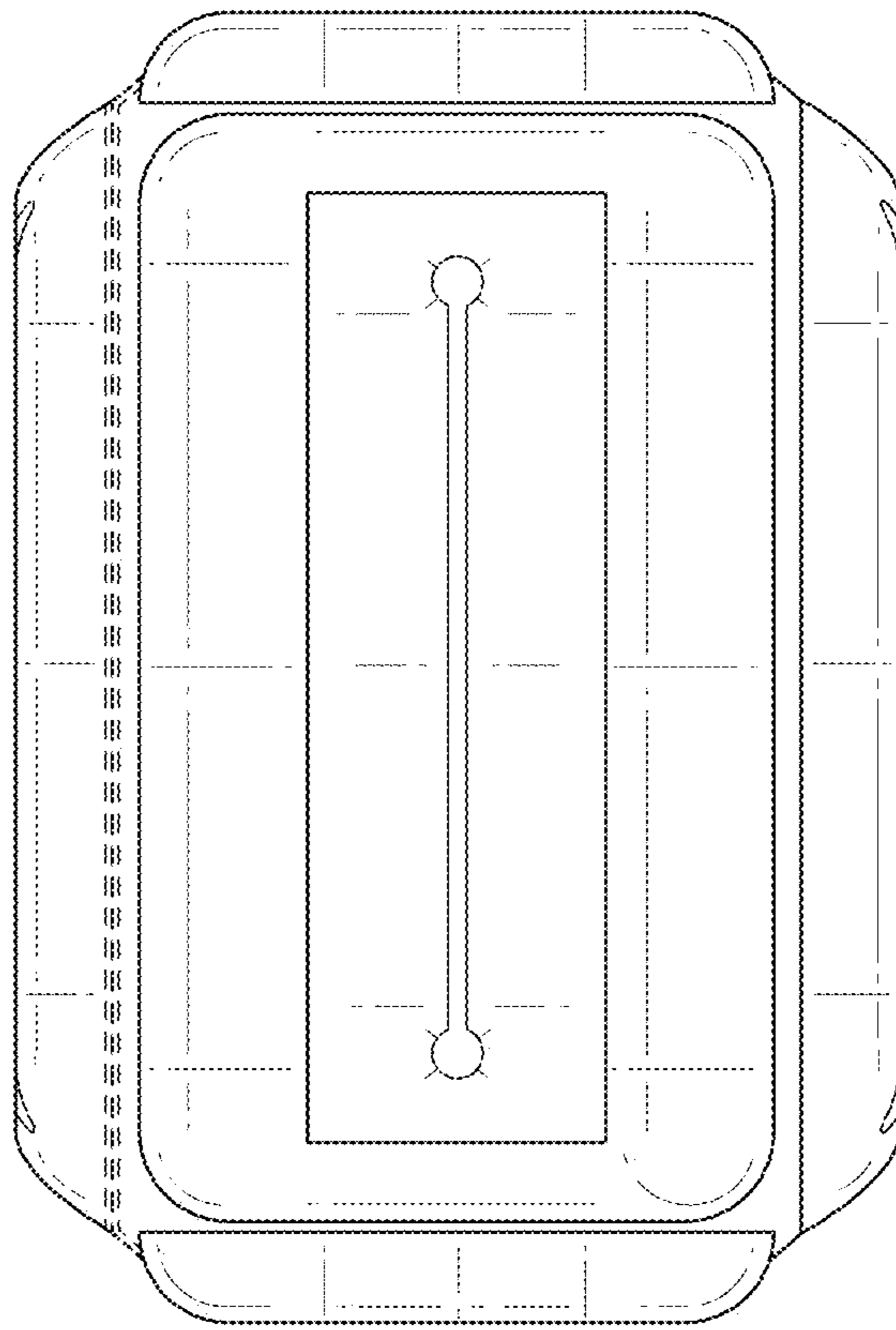


FIG. 7

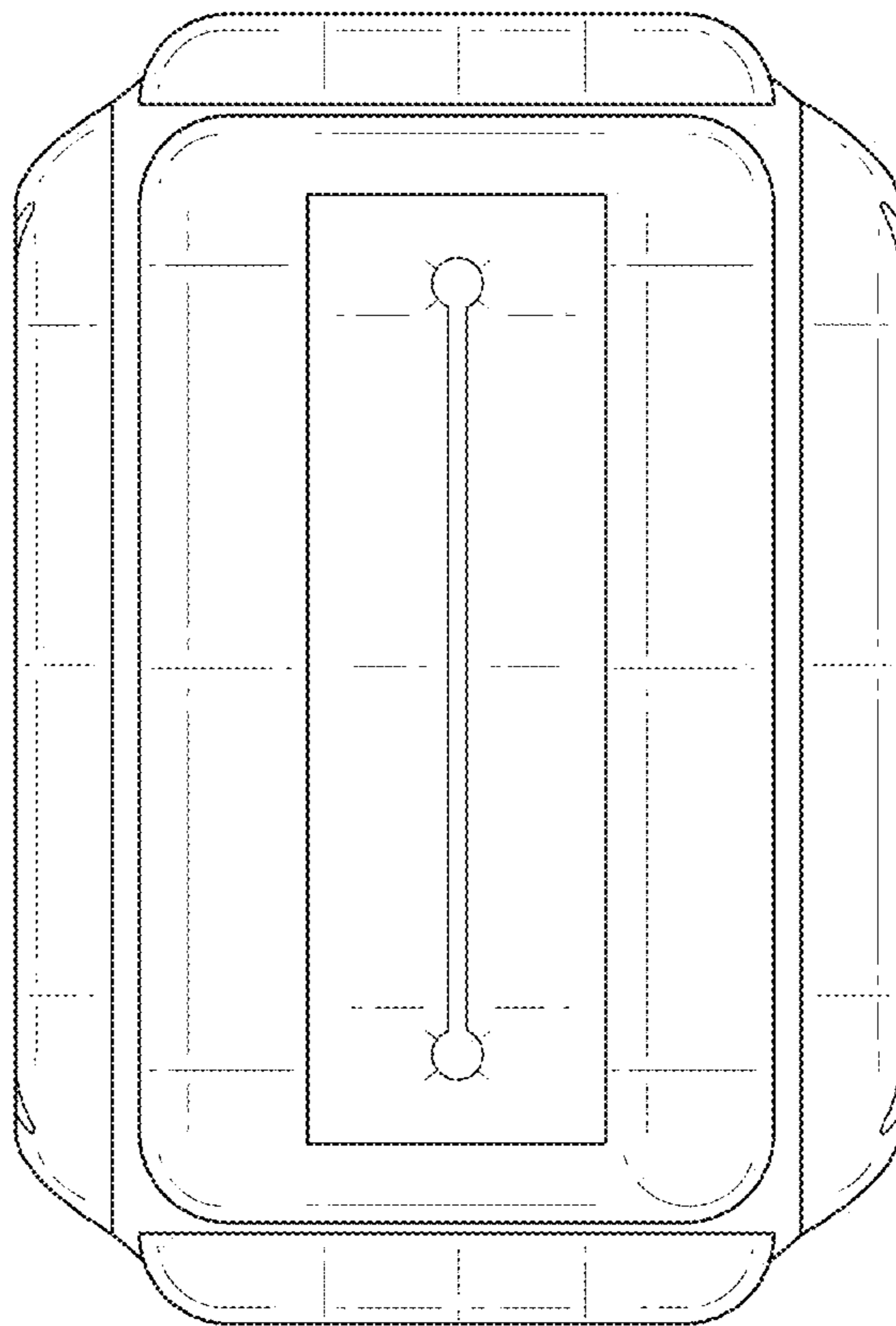


FIG. 6