



US00D949692S

(12) **United States Design Patent** (10) **Patent No.:** **US D949,692 S**
Rubino, Jr. (45) **Date of Patent:** **** Apr. 26, 2022**

(54) **TATTOO INK BOTTLE CAP**

FOREIGN PATENT DOCUMENTS

(71) Applicant: **KING OF INK, INC.**, Fort Mill, SC
(US)

WO 2017013226 A1 1/2017

(72) Inventor: **Louis Rubino, Jr.**, York, SC (US)

OTHER PUBLICATIONS

(73) Assignee: **INK PROJECTS LLC**, Fort Mill, SC
(US)

World Famous Tattoo Ink, YouTube, "Jay Freestyle Ink Set,"
<https://www.youtube.com/watch?v=TTqDnCjpa38> (Published Apr. 20, 2017).

(**) Term: **15 Years**

Primary Examiner — Lauren R Calve

(21) Appl. No.: **29/672,065**

(74) *Attorney, Agent, or Firm* — Volpe Koenig

(22) Filed: **Dec. 3, 2018**

(57) **CLAIM**

(51) **LOC (13) Cl.** **09-07**

The ornamental design for a tattoo ink bottle cap, as shown and described.

(52) **U.S. Cl.**

USPC **D9/453**

DESCRIPTION

(58) **Field of Classification Search**

USPC D9/449, 453, 549, 551, 558, 559, 723,
D9/724, 726; D7/300, 312; D24/197;
D28/88, 89

CPC B05B 11/3059; B05B 11/0027; B05B
11/0032; B05B 11/3004; B05B 11/3015;
B05B 11/306; B05B 11/3064; B65D
51/18; B65D 2251/105; B65D 47/08

See application file for complete search history.

FIG. 1 is a perspective view of a tattoo ink bottle cap in accordance with my new design;

FIG. 2 is a perspective view of the tattoo ink bottle cap as shown in FIG. 1, with the lid of the cap shown in the open position;

FIG. 3 is front view of the tattoo ink bottle cap as shown in FIG. 1;

FIG. 4 is a rear view of the tattoo ink bottle cap as shown in FIG. 1;

FIG. 5 is a first side view of the tattoo ink bottle cap shown in FIG. 1;

FIG. 6 is a second side view of the tattoo ink bottle cap shown in FIG. 1;

FIG. 7 is a top view of the tattoo ink bottle cap shown in FIG. 1;

FIG. 8 is a bottom view of the tattoo ink bottle cap shown in FIG. 1; and,

FIG. 9 is a cross-sectional view taking along line 9-9 of FIG. 7 of the tattoo ink bottle cap shown in FIG. 1.

All broken lines appearing in the drawings are for illustrative purposes and/or represent unclaimed subject matter and form no part of the claimed design.

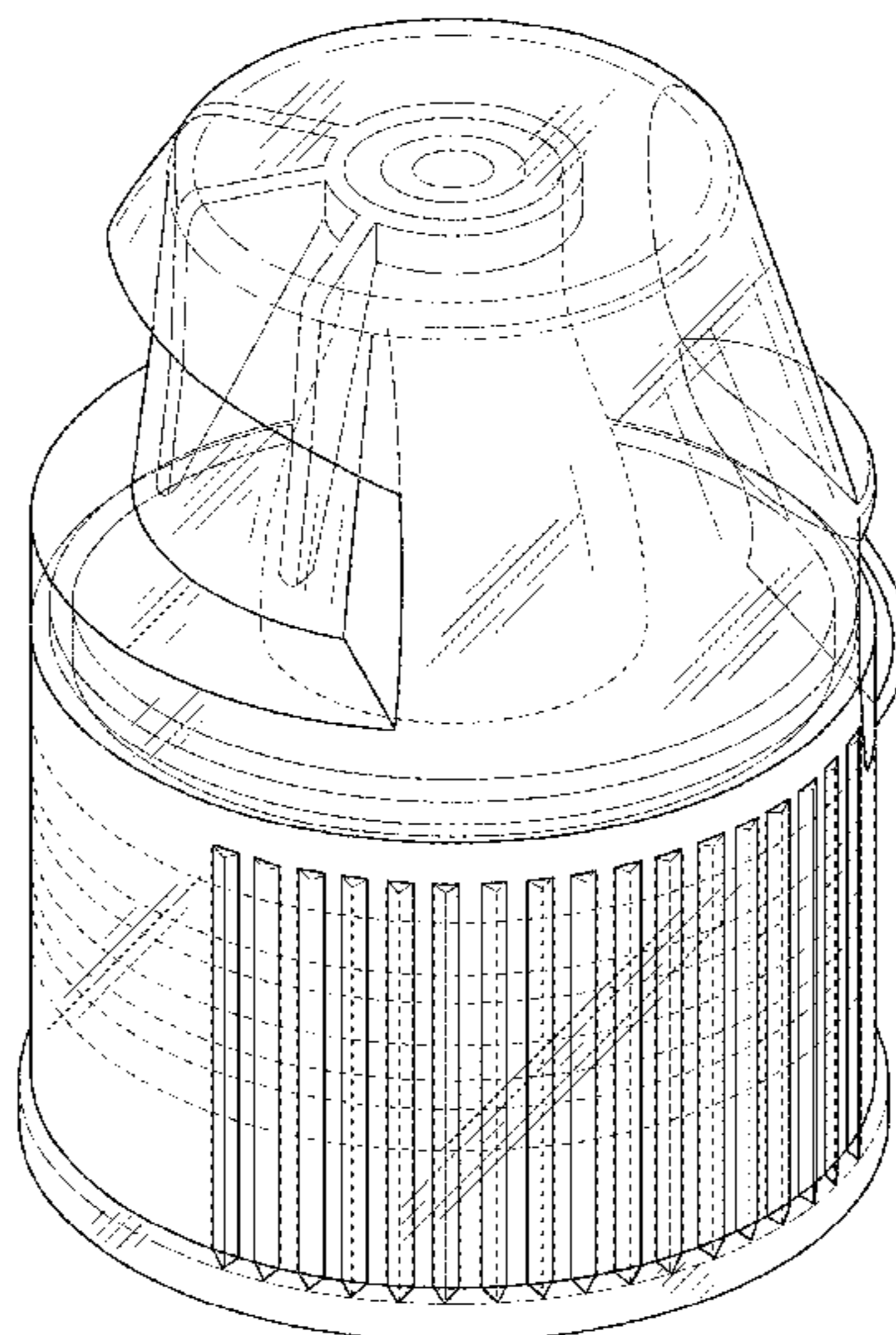
(56) **References Cited**

U.S. PATENT DOCUMENTS

3,107,035 A * 10/1963 Cholet B65D 47/18
222/213
D350,482 S * 9/1994 Hu D9/445
5,603,436 A 2/1997 Leoncavallo et al.
5,996,859 A * 12/1999 Beck B65D 47/0809
215/237
6,269,986 B1 * 8/2001 Gross B65D 47/0804
222/541.5
D447,949 S * 9/2001 Richardson D9/435
6,505,530 B2 1/2003 Adler et al.
6,543,650 B1 * 4/2003 Sprick B65D 47/242
222/153.02

(Continued)

1 Claim, 8 Drawing Sheets



(56)

References Cited

U.S. PATENT DOCUMENTS

6,685,719 B2 2/2004 Matera, Jr.
 D531,900 S * 11/2006 Mavin D9/447
 7,281,638 B2 * 10/2007 Hierzer B65D 47/0804
 220/257.1
 D672,237 S * 12/2012 Simonian D9/436
 D672,253 S * 12/2012 Lee D9/724
 D673,043 S * 12/2012 Antier D9/449
 8,413,832 B2 4/2013 Mazurkiewicz et al.
 8,459,452 B1 6/2013 Barth
 D702,545 S 4/2014 Barth
 8,851,290 B2 10/2014 Barth
 8,985,366 B2 3/2015 Barth
 D732,975 S * 6/2015 Hua D9/724
 9,051,090 B2 6/2015 Antier et al.
 9,169,048 B2 * 10/2015 Ludewigs B65D 47/0838
 D763,078 S * 8/2016 Roy D9/447
 9,439,523 B2 * 9/2016 Naesje A47G 19/2272
 D770,287 S * 11/2016 Holaschke D9/503
 D780,578 S * 3/2017 Lane D9/445
 9,850,044 B2 * 12/2017 Muhlemann B65D 47/0833
 D817,169 S * 5/2018 Dzikowicz D9/449
 D836,441 S * 12/2018 Huang D9/453
 D837,650 S * 1/2019 Rognard D9/449
 D854,414 S * 7/2019 Michailides D9/449
 10,442,591 B2 * 10/2019 Rognard B65D 47/0838
 D895,438 S * 9/2020 Heiser D9/724
 D904,884 S * 12/2020 Wohlgenannt D9/445
 D928,629 S * 8/2021 Yang D9/724
 2005/0279727 A1 * 12/2005 Graswald B65D 55/06
 215/237

2005/0279781 A1 12/2005 Pugne
 2006/0016776 A1 * 1/2006 Barre B65D 47/0871
 215/237
 2007/0102390 A1 * 5/2007 Hoepner B65D 47/0885
 215/235
 2007/0175910 A1 8/2007 Hogarth et al.
 2008/0011704 A1 * 1/2008 Van Ryn B65D 47/0814
 215/235
 2008/0169261 A1 * 7/2008 Druitt B65D 47/0809
 215/237
 2009/0120899 A1 * 5/2009 Stull, Sr. B65D 47/0809
 215/235
 2009/0152269 A1 * 6/2009 Pucci B65D 47/0823
 220/254.3
 2009/0308832 A1 * 12/2009 Von Spreckelsen
 B65D 47/0804
 215/235
 2011/0100990 A1 * 5/2011 Clodfelter B65D 51/18
 220/276
 2011/0163135 A1 * 7/2011 Herald B65D 47/0876
 222/556
 2012/0000079 A1 1/2012 Arnetoli
 2012/0067922 A1 * 3/2012 Benoit-Gonin B65D 55/024
 222/153.06
 2014/0034663 A1 * 2/2014 Konigseder B65D 43/22
 220/835
 2014/0097150 A1 * 4/2014 Antier B65D 43/0235
 215/354
 2016/0311589 A1 * 10/2016 Wochele B65D 41/32
 2017/0334631 A1 * 11/2017 Veltri B65D 43/163
 2018/0265238 A1 * 9/2018 Wilson B65D 47/2031

* cited by examiner

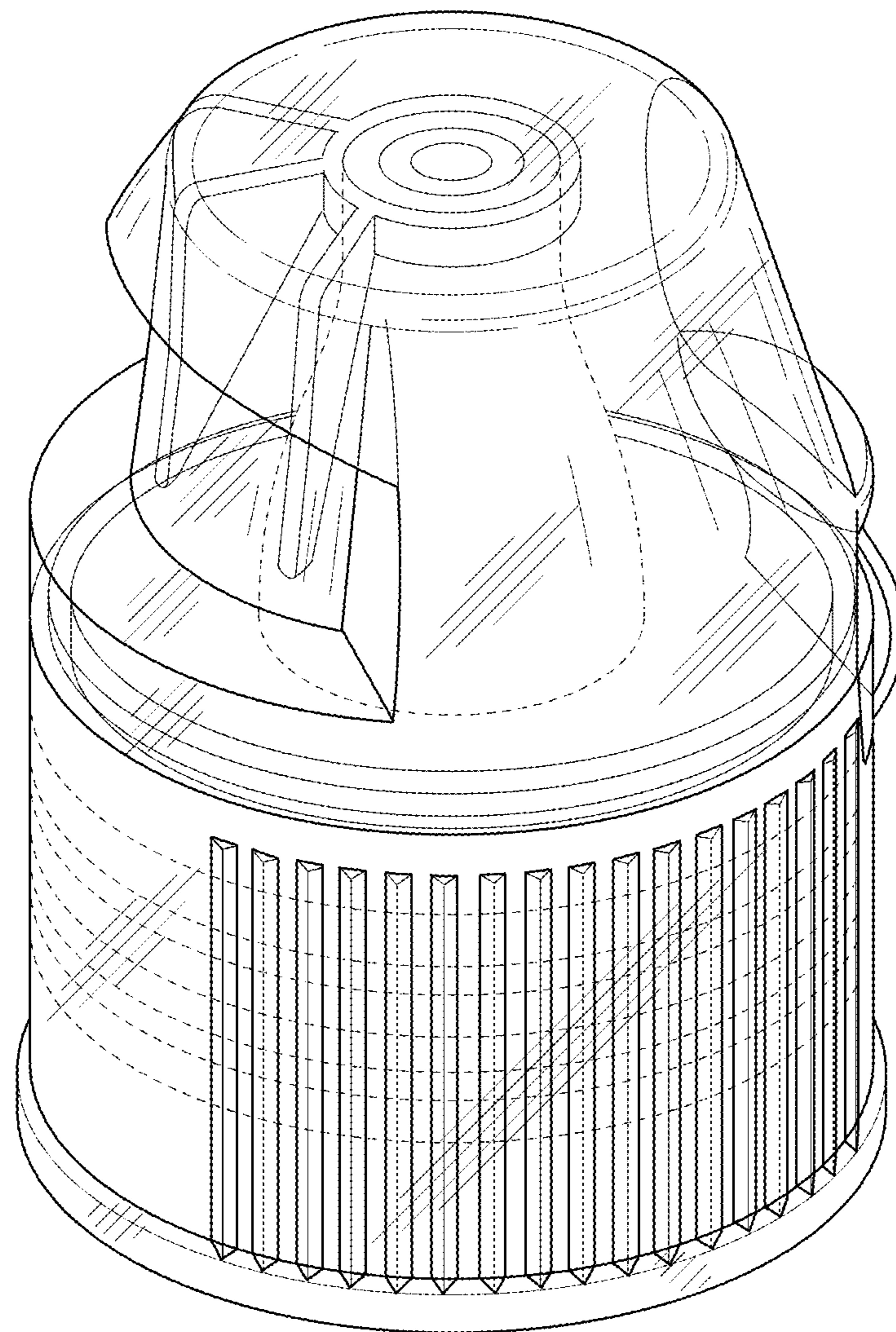


FIG. 1

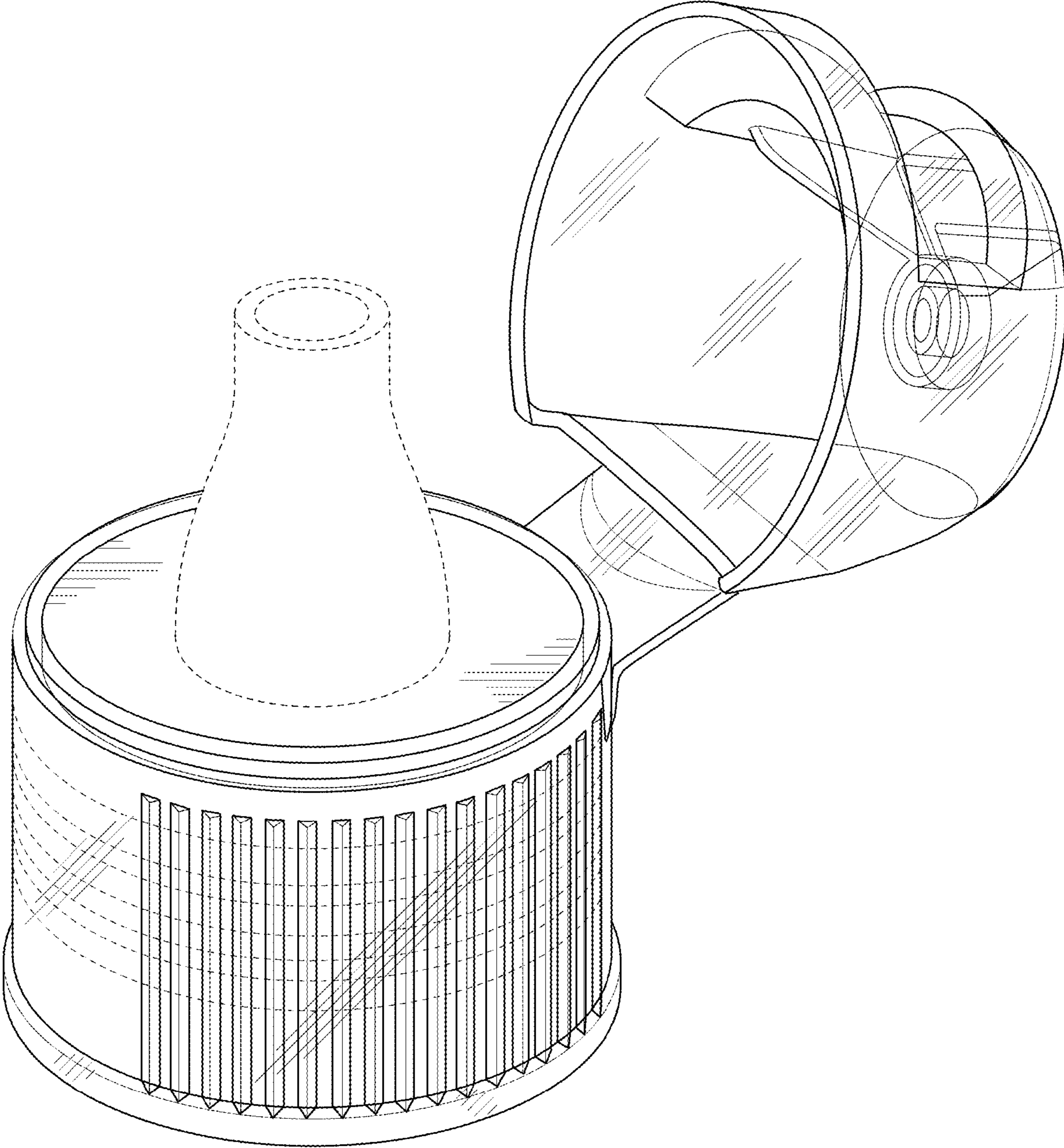


FIG. 2

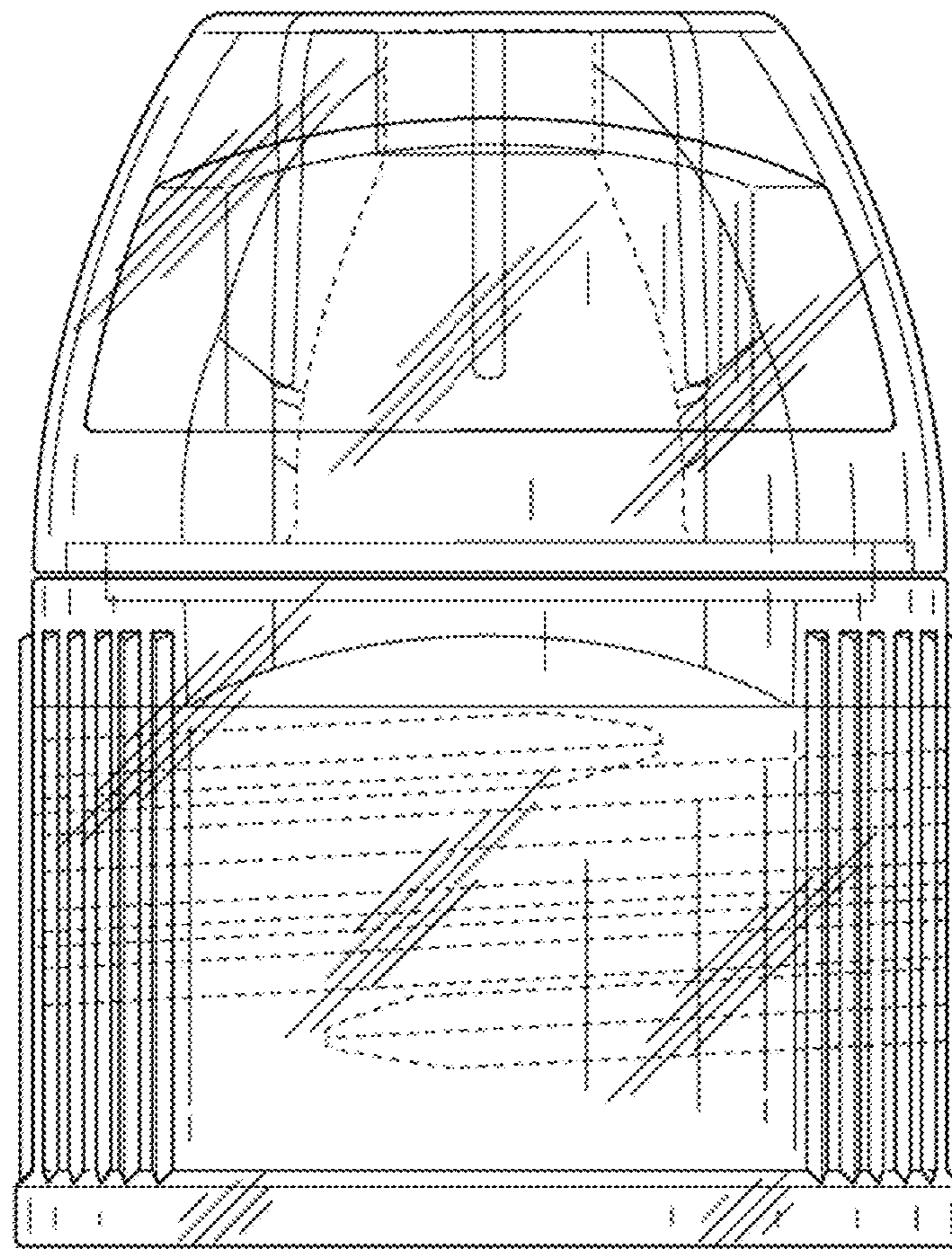


FIG. 3

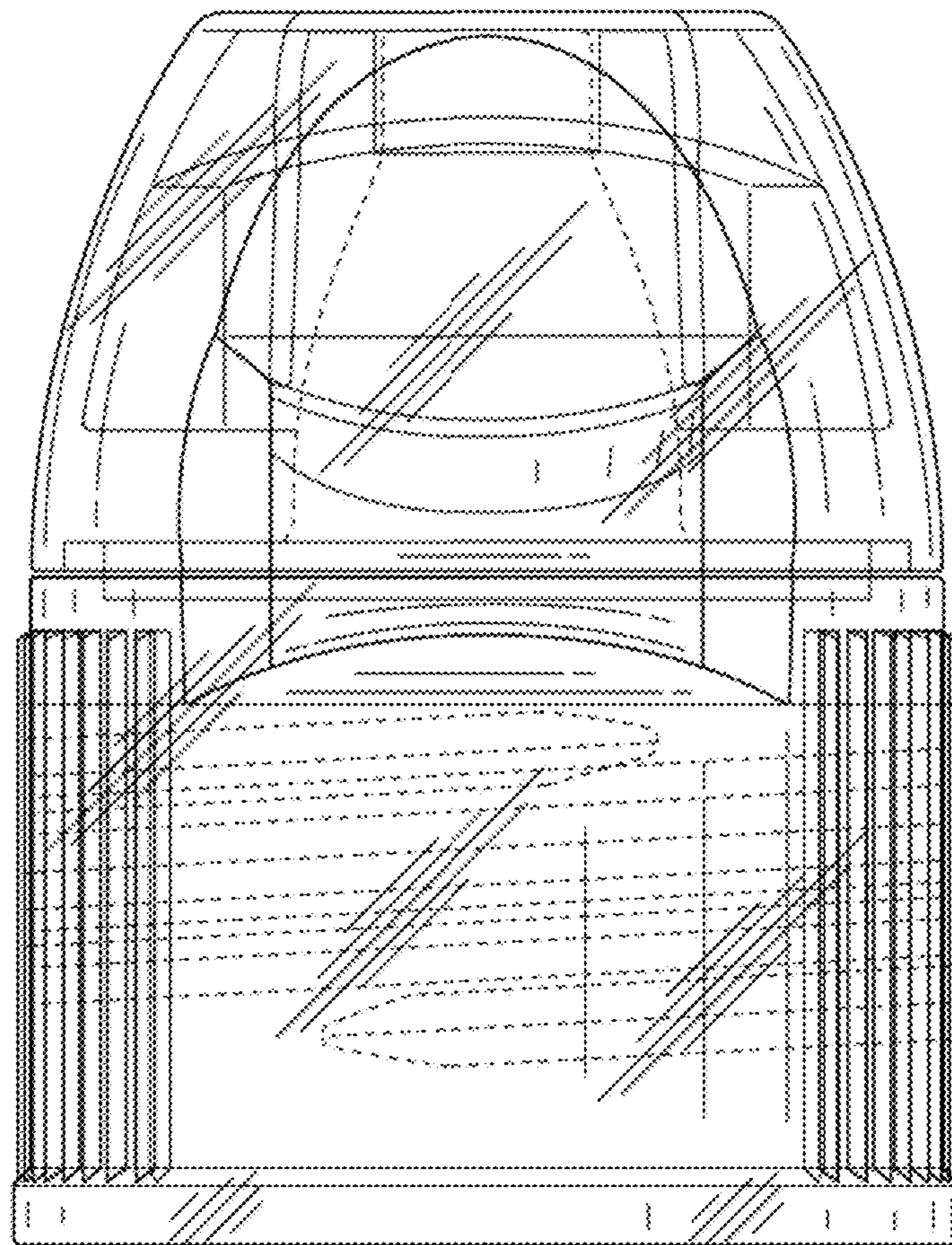


FIG. 4

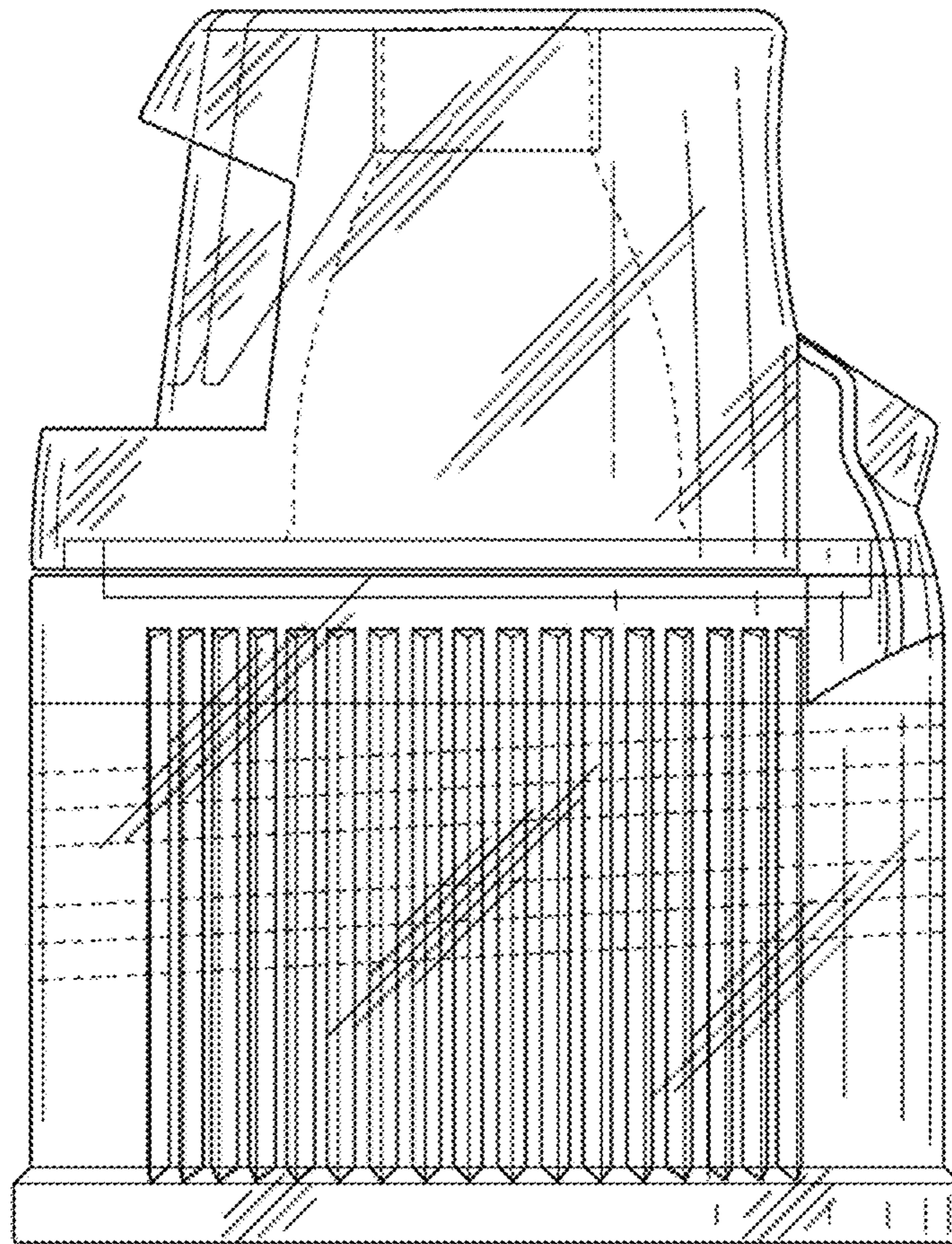


FIG. 5

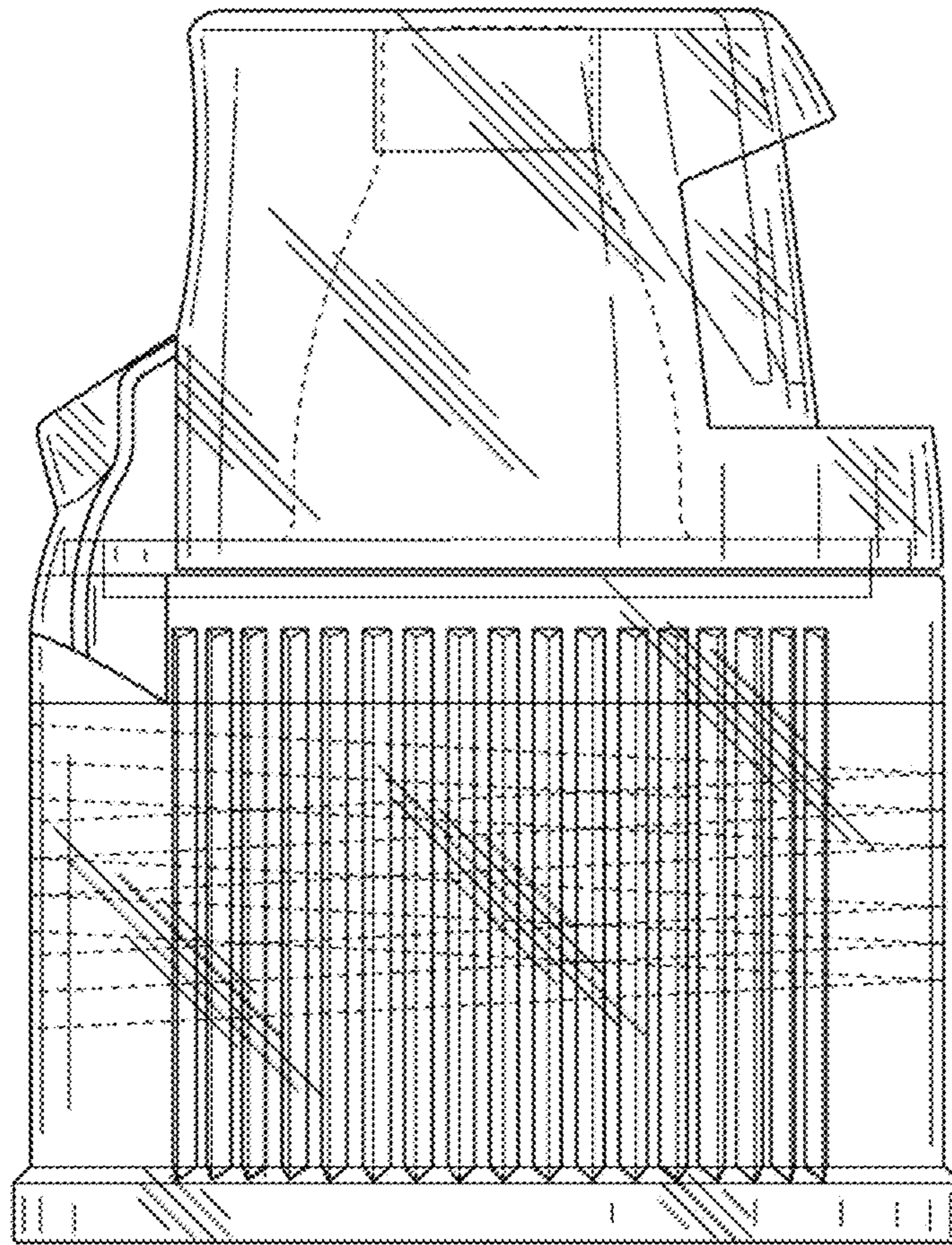


FIG. 6

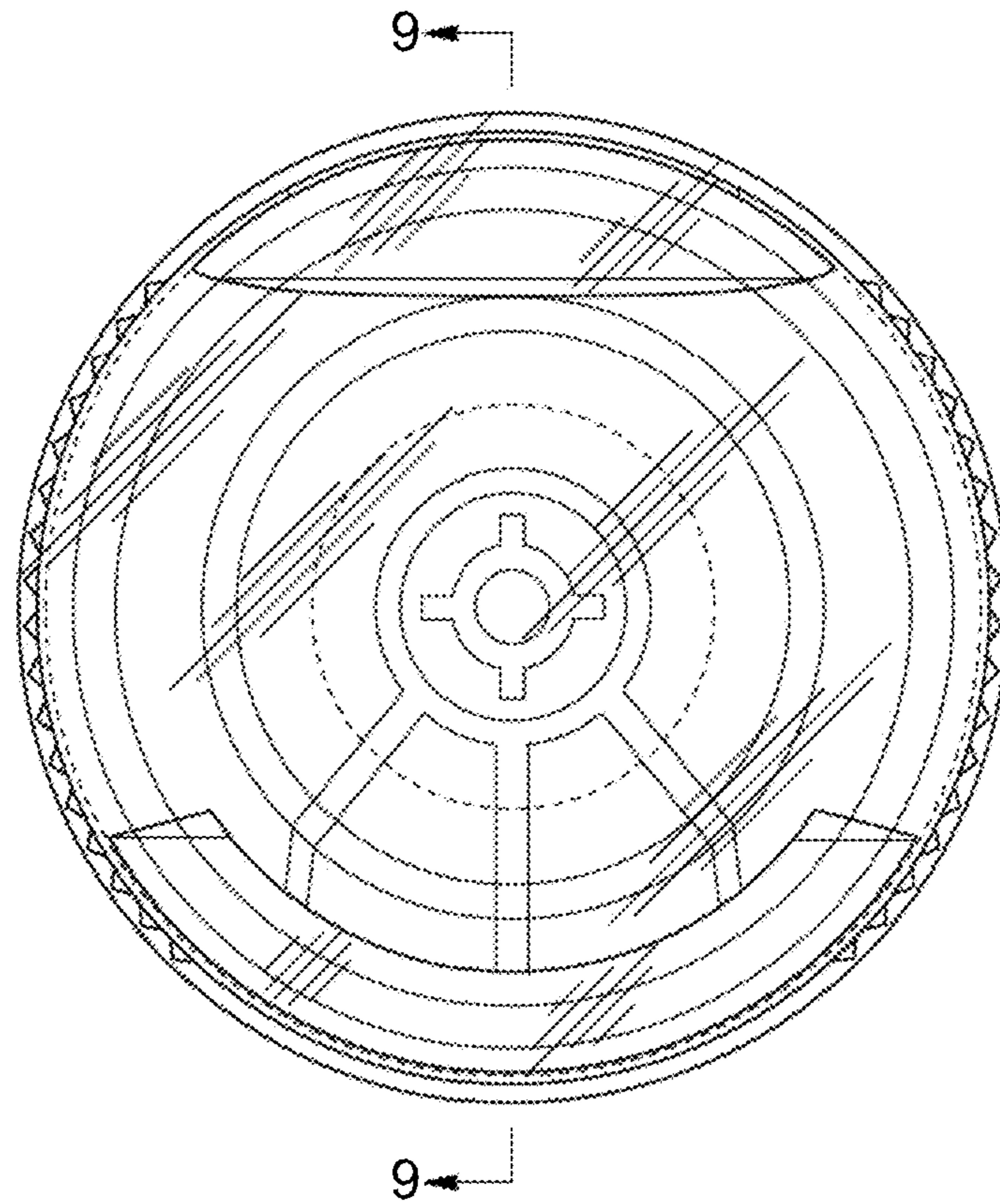


FIG. 7

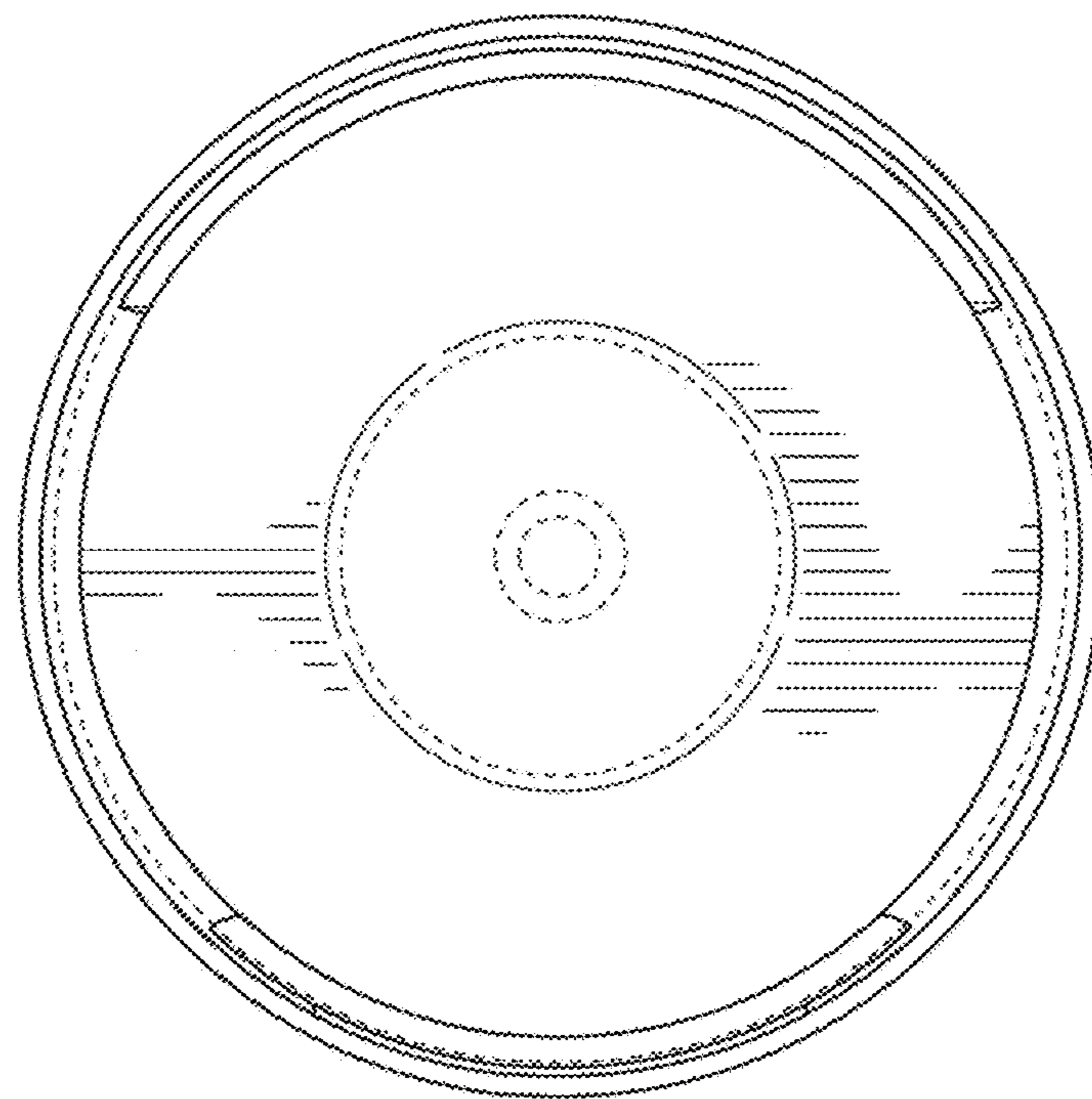


FIG. 8

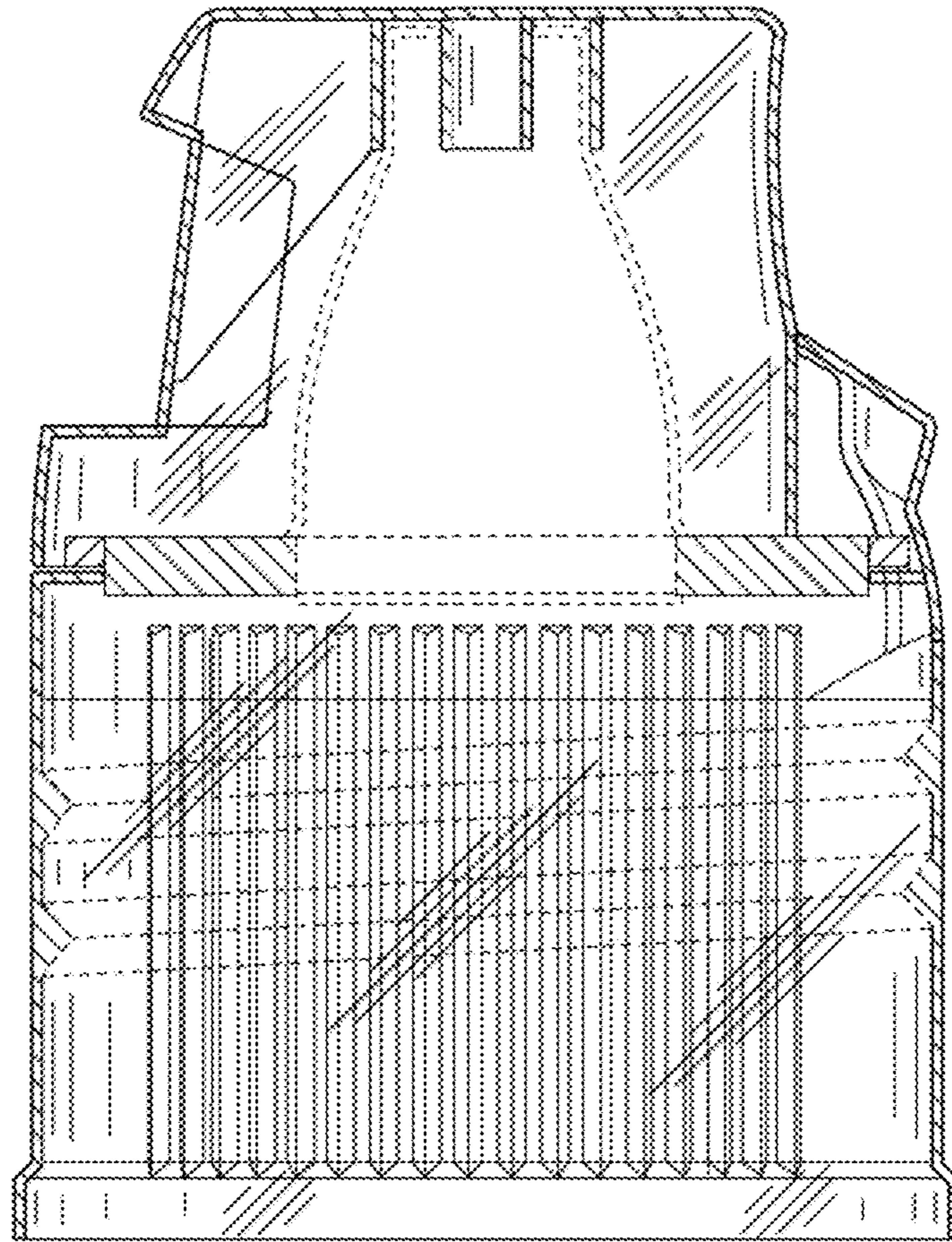


FIG. 9