

US00D949691S

(12) **United States Design Patent**
Juna et al.

(10) **Patent No.:** **US D949,691 S**

(45) **Date of Patent:** **** Apr. 26, 2022**

- (54) **CONTAINER CLOSURE**
- (71) Applicant: **TricorBraun Inc.**, St. Louis, MO (US)
- (72) Inventors: **Samantha Juna**, Carol Stream, IL (US); **Jay Lee**, Carol Stream, IL (US)
- (73) Assignee: **TricorBraun Inc.**, St. Louis, MO (US)
- (**) Term: **15 Years**
- (21) Appl. No.: **29/753,364**
- (22) Filed: **Sep. 30, 2020**
- (51) **LOC (13) Cl.** **09-07**
- (52) **U.S. Cl.**
USPC **D9/452**
- (58) **Field of Classification Search**
USPC D7/550.1, 554.2, 387, 391, 392, 392.1, D7/396.1, 396.2, 397, 398, 558, 624.1, D7/667, 388, 403, 407, 408, 409; D9/723, 724, 434, 435, 436, 438, 443, D9/445, 447, 448, 449, 450, 452, 453, D9/454; D23/206, 209, 259, 260, 261, D23/397; D21/680, 681
CPC B65D 43/0208; B65D 2231/022; B65D 2543/00027; B65D 2543/00092; B65D 2543/000296; B65D 2543/00342; B65D 2543/00509; B65D 2543/00518; B65D 2543/00537; B65D 2543/00731; B65D 2543/00814; B65D 41/34; B65D 41/3428; B65D 1/20; B65D 2251/0018; B65D 2251/0071; B65D 2251/02; B29C 51/22; B29C 51/268; B29C 51/44; B29C 45/0001; B29C 45/0081; A47G 19/2272
See application file for complete search history.

- D412,551 S * 8/1999 Smith D23/209
- D448,974 S * 10/2001 Hydak D7/387
- D476,568 S * 7/2003 Mechtold D24/120
- D520,361 S * 5/2006 Crawford D9/453
- D548,307 S * 8/2007 Reynolds D23/209
- D580,009 S * 11/2008 LeJeune D23/209
- D600,120 S * 9/2009 Kawamura D9/452
- D646,762 S * 10/2011 Terry D23/259
- D673,244 S * 12/2012 Magargal D23/260
- D680,430 S * 4/2013 Nickel D9/436
- D713,247 S * 9/2014 Webster D9/454
- D745,642 S * 12/2015 Luo D23/260
- D757,547 S * 5/2016 Biswas D9/454
- D781,663 S * 3/2017 Williams D7/624.1
- D842,698 S * 3/2019 Moriyama D9/453
- D843,215 S * 3/2019 Steigelman D9/453
- D851,450 S * 6/2019 Brennan D7/407
- D856,073 S * 8/2019 Reed D7/398

(Continued)

Primary Examiner — Catherine S Posthauer
(74) *Attorney, Agent, or Firm* — Husch Blackwell LLP

(57) **CLAIM**

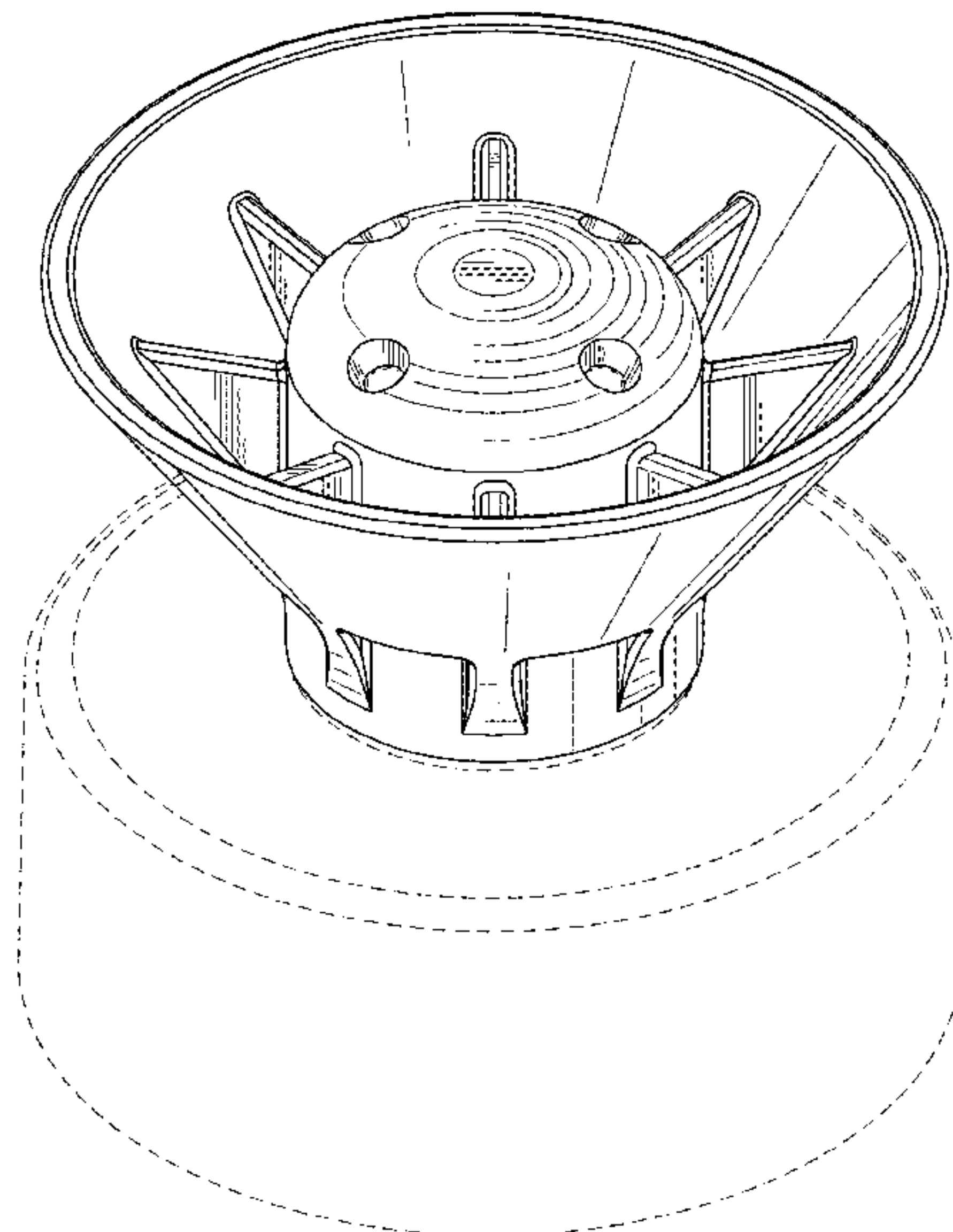
We claim the ornamental design for a container closure, as shown and described.

DESCRIPTION

FIG. 1 is a perspective view of a container closure showing the new design;
 FIG. 2 is a top view thereof;
 FIG. 3 is a side view thereof; the opposite side, front and back being mirror images thereof;
 FIG. 4 is a bottom view thereof;
 FIG. 5 is a cross-sectional view thereof, taken in the direction of line 5-5 on FIG. 2; and,
 FIG. 6 is another cross sectional view, taken in the direction of line 6-6 on FIG. 2.
 The broken lines shown in the drawing views are included for the purpose of showing environmental structure that forms no part of the claimed design.

1 Claim, 5 Drawing Sheets

- (56) **References Cited**
U.S. PATENT DOCUMENTS
D103,269 S * 2/1937 Reisenberg D9/436
D396,993 S * 8/1998 Ruck D7/391



(56)

References Cited

U.S. PATENT DOCUMENTS

D871,832 S * 1/2020 Marina D7/392.1
D872,528 S * 1/2020 Hsu D7/398
D880,234 S * 4/2020 Casey D7/407
D899,934 S * 10/2020 Lee D9/447
D904,557 S * 12/2020 Botos D23/209
D913,453 S * 3/2021 Morgan D23/259
D930,109 S * 9/2021 Aguiar D23/206
2005/0006334 A1 * 1/2005 Luker B65D 41/0485
215/334
2016/0355298 A1 * 12/2016 Kao B65D 15/08

* cited by examiner

FIG. 1

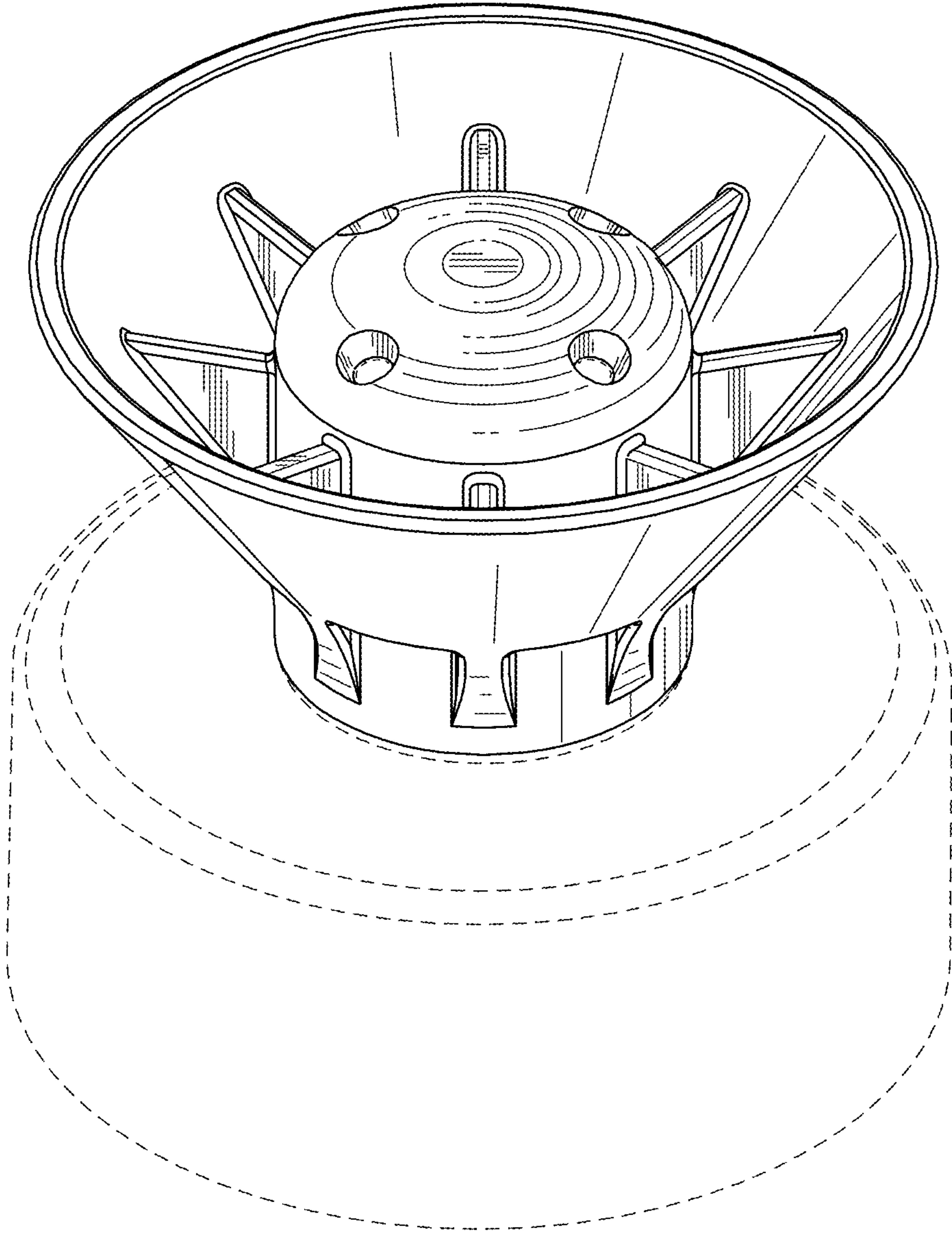


FIG. 2

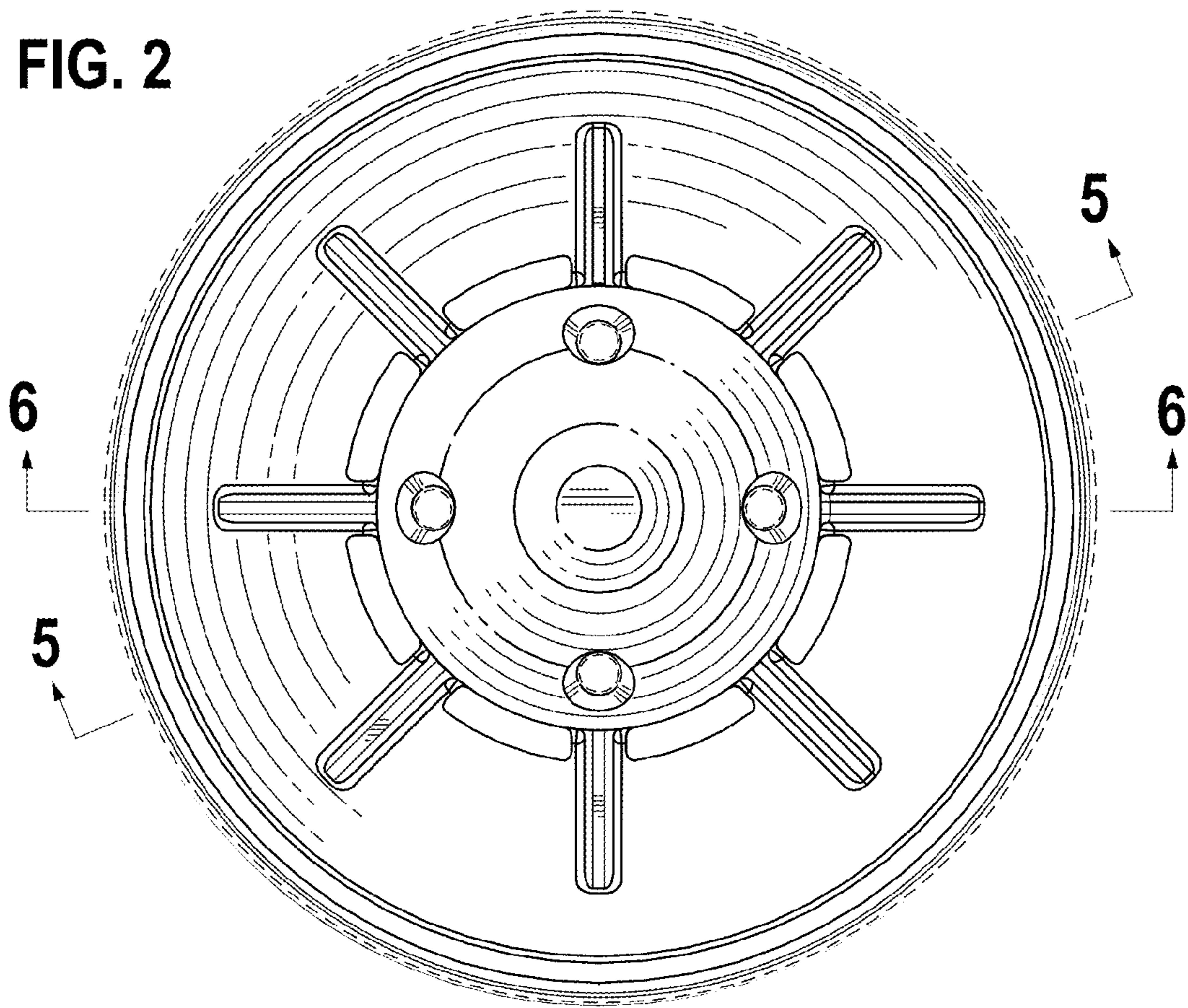


FIG. 3

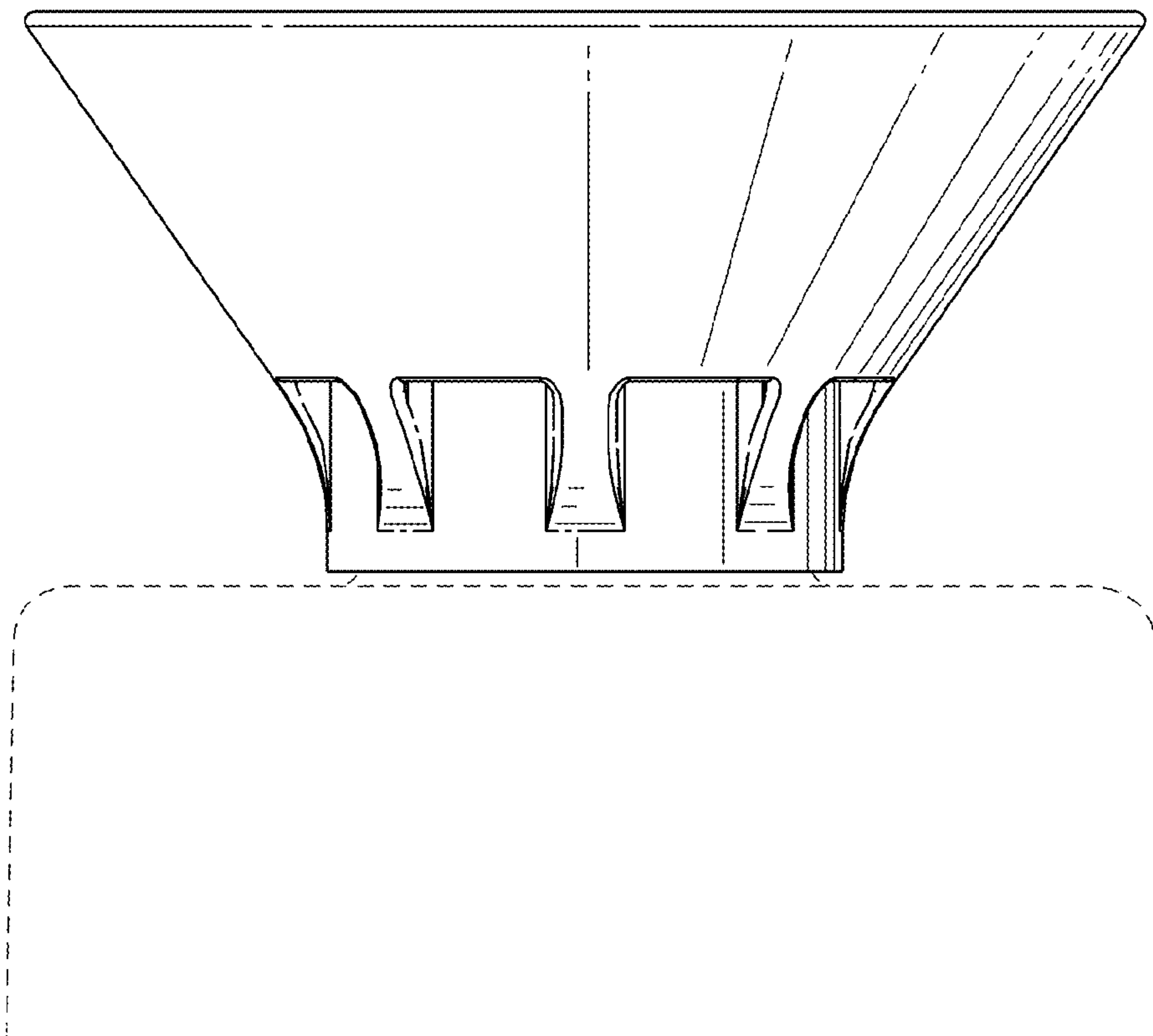


FIG. 4

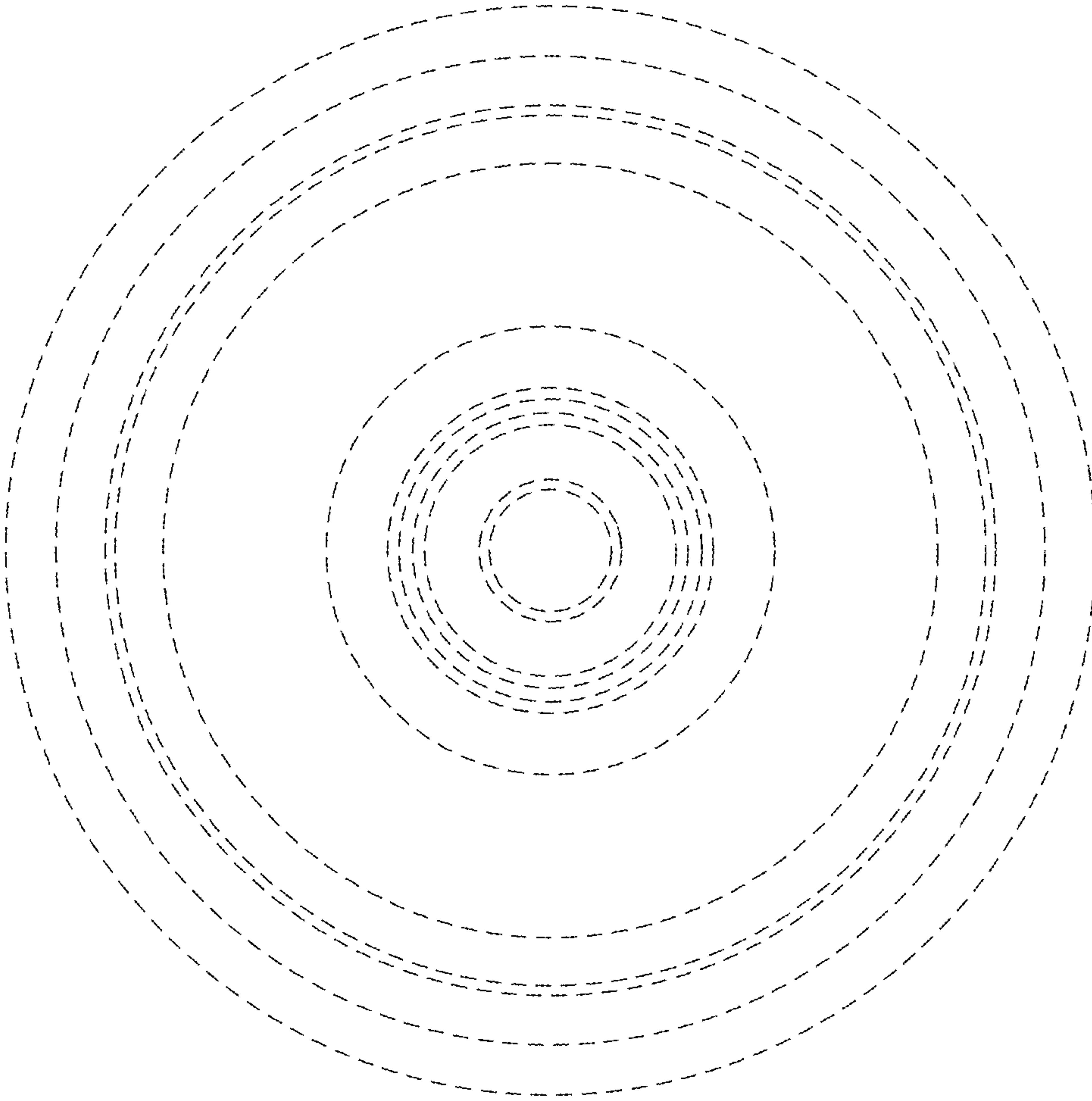


FIG. 5

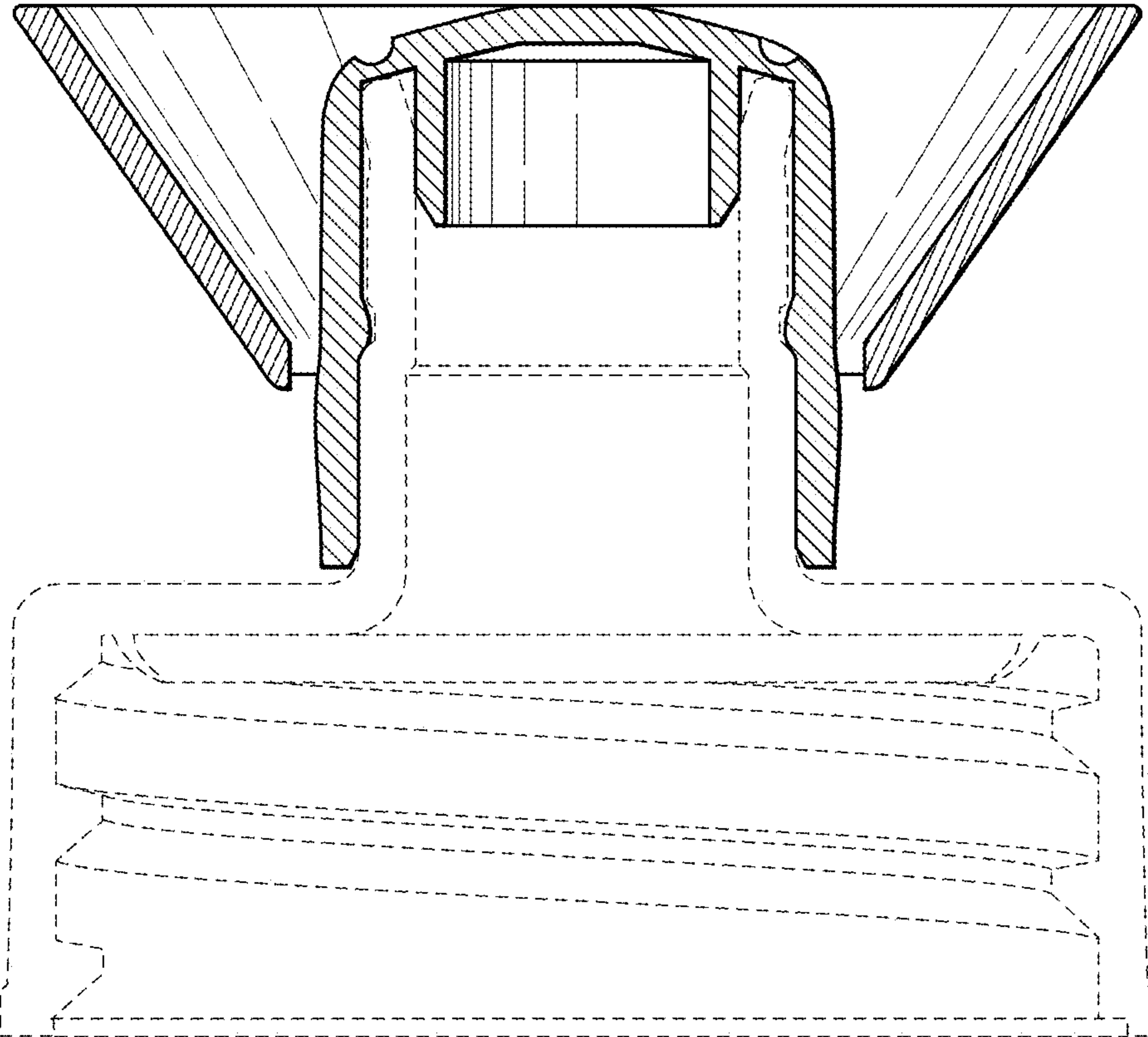


FIG. 6

